

# Body Emblem Package Installation

## [Installation Instructions Part Number](#)

84672029

### Kit Contents

Qty	Description
1	Emblem Assembly – Front
1	Emblem Assembly – Liftgate
1	Installation Instructions

### Tools Required

Thin flat-bladed tool

Plastic flat-bladed tool

Plastic Squeegee

### Before you start

**Note:** For the nameplate to adhere best, the vehicle's mating surface (doors, rear compartment, etc.) should be free of damage (dents, scratches, creases, fractures, etc.).

**Caution:** Do not use heat gun/hair dryer or apply excessive heat to the emblem/nameplate as this may damage the paint and surrounding panel surfaces during removal.

**Caution:** Use a plastic, flat-bladed tool to prevent paint damage when removing an emblem/nameplate. Do not use fishing line to remove nameplate as this may worsen the tape residue cleaning process. Use Isopropyl Alcohol and Lint Free Cloth to remove tape residue. Heavy foam/adhesive residue remaining on the painted surface can be removed using 3M's Scotch-Brite™ Molding Adhesive and Stripe Removal 4-inch Foam Disc.

**Caution:** Only install nameplates as a direct replacement of the existing vehicle content.

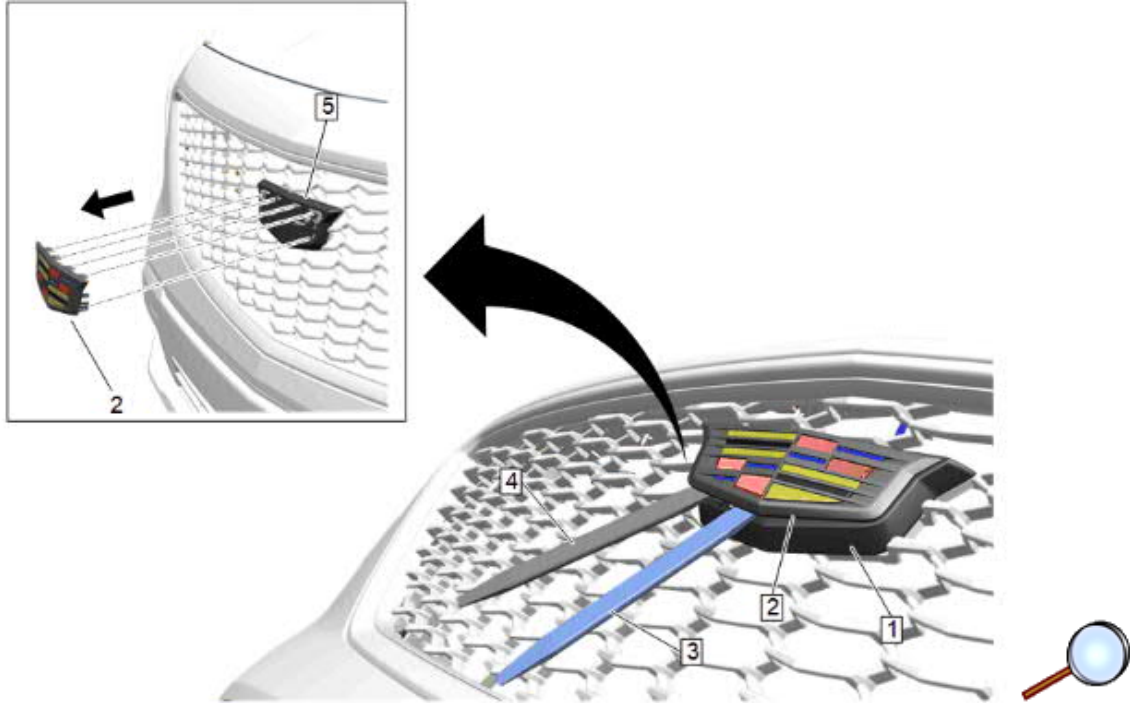
- The part and surface should be 21°C (70°F) prior to installation. The vehicle should remain 21°C (70°F) for one hour after assembly to allow adhesive to develop sufficient bond strength.
- Wash the vehicle mating surfaces (Door or Endgate) with a non-petroleum based cleaning product. If a stronger cleaner is required to remove any contaminants, use 3M® general purpose Adhesive Cleaner (P/N 08984). Then, thoroughly dry with a soft clean cloth.

## [Procedure](#)

### Front Monochromatic Emblem Replacement

**Note:** Read all instructions before performing procedure.

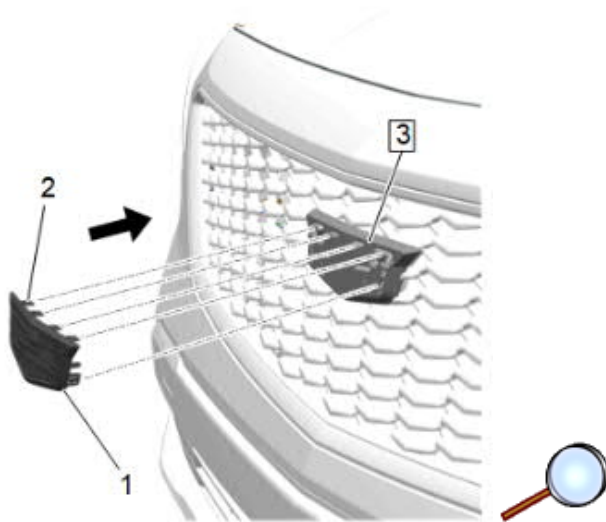
- Inspect kit to verify all parts are included.
- Turn off the vehicle.



**Note:** Existing multi colored emblem (2) will be damaged and not suitable for re-use.

**Note:** Use caution not to scratch or damage the plinth (1).

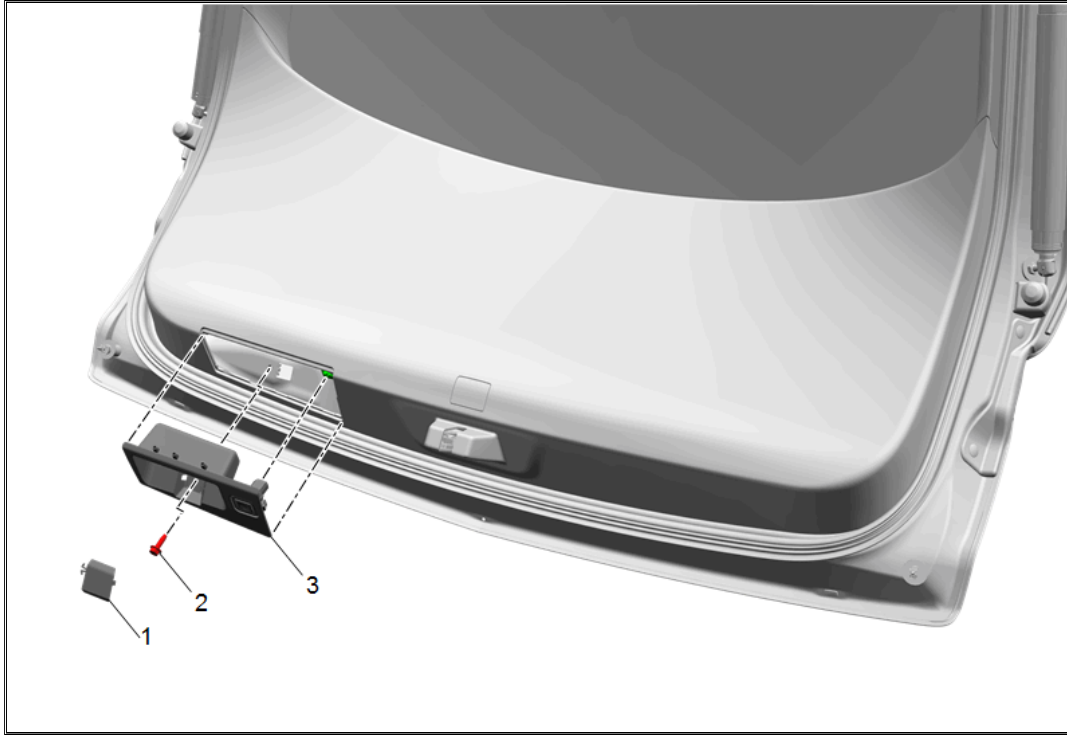
3. Using a suitable thin flat bladed tool (4), starting at the lower edge separate the multicolored emblem (2) from the grille plinth (1) by creating a gap.
4. Once small gap is created with flat bladed tool (4) in place, insert a suitable plastic flat bladed tool (3) then release the thin flat bladed tool (4) and carefully release the 7 locking tabs one at a time and remove the front multicolored emblem (2) from the grille plinth (5).



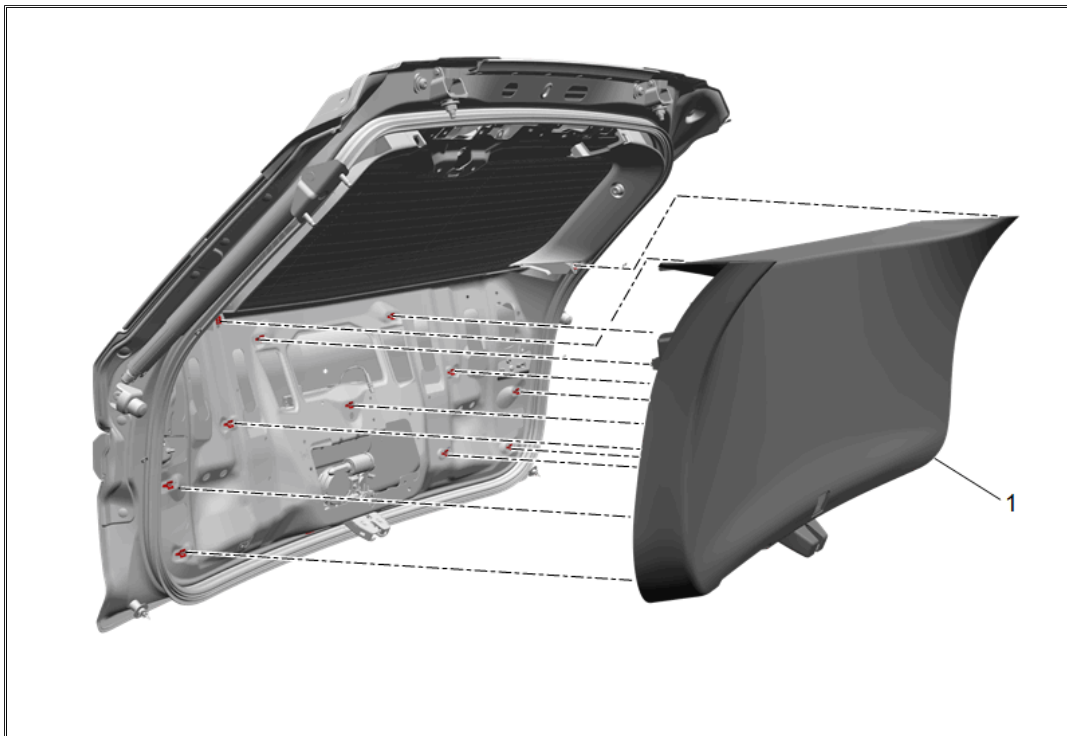
5. Clean the plinth surface (3) with a non-petroleum based cleaning product and make sure the surface is free from dust and debris.
6. Install the new monochromatic emblem (1) to grille plinth surface (3) applying enough evenly distributed pressure to engage the locking/retention tabs (2).
7. Verify that the emblem is fully seated and securely attached to the grille.

### Remove Rear Monochromatic Emblem

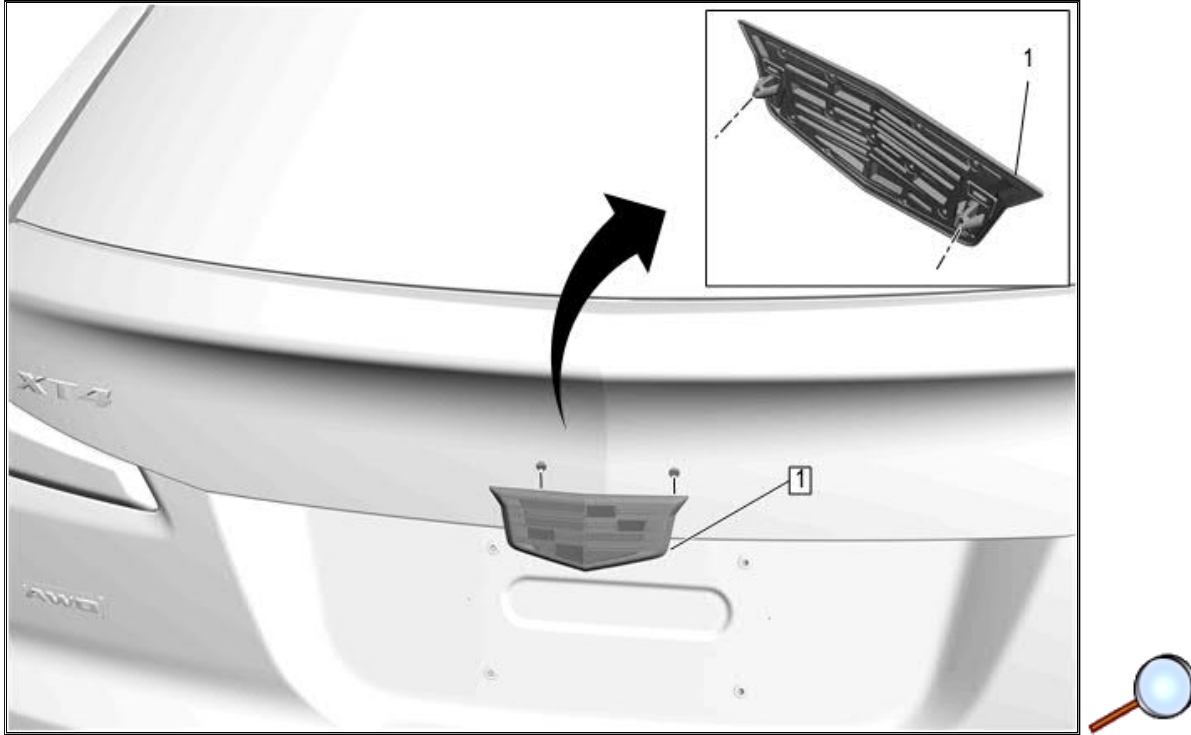
1. Turn off vehicle.



2. Remove the liftgate pull cup cap (1)
3. Remove the liftgate lower trim finish panel bolt (2).
4. Use a flat-bladed plastic trim tool to help aid in the removal of the liftgate trim finish panel pull cup (3). Disconnect electrical connector.



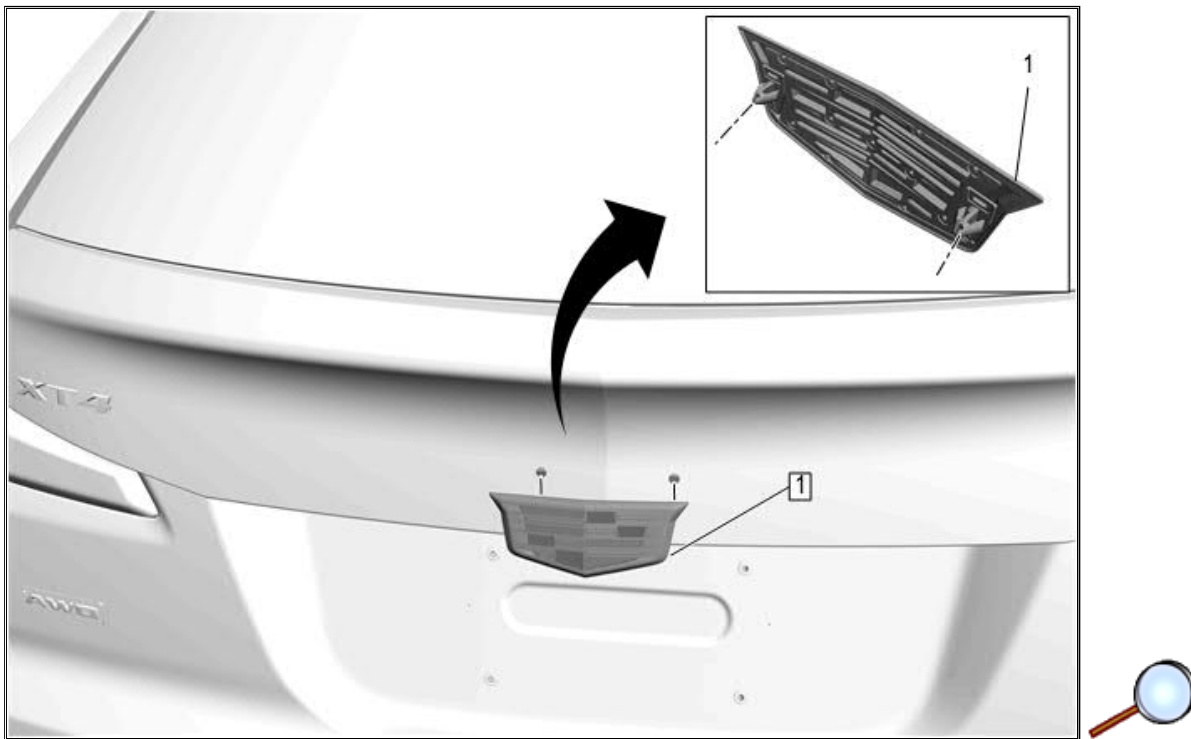
5. Use a flat-bladed plastic trim tool to help aid in the removal of the liftgate trim finish panel (1) from the liftgate. Disconnect electrical connector, if equipped.



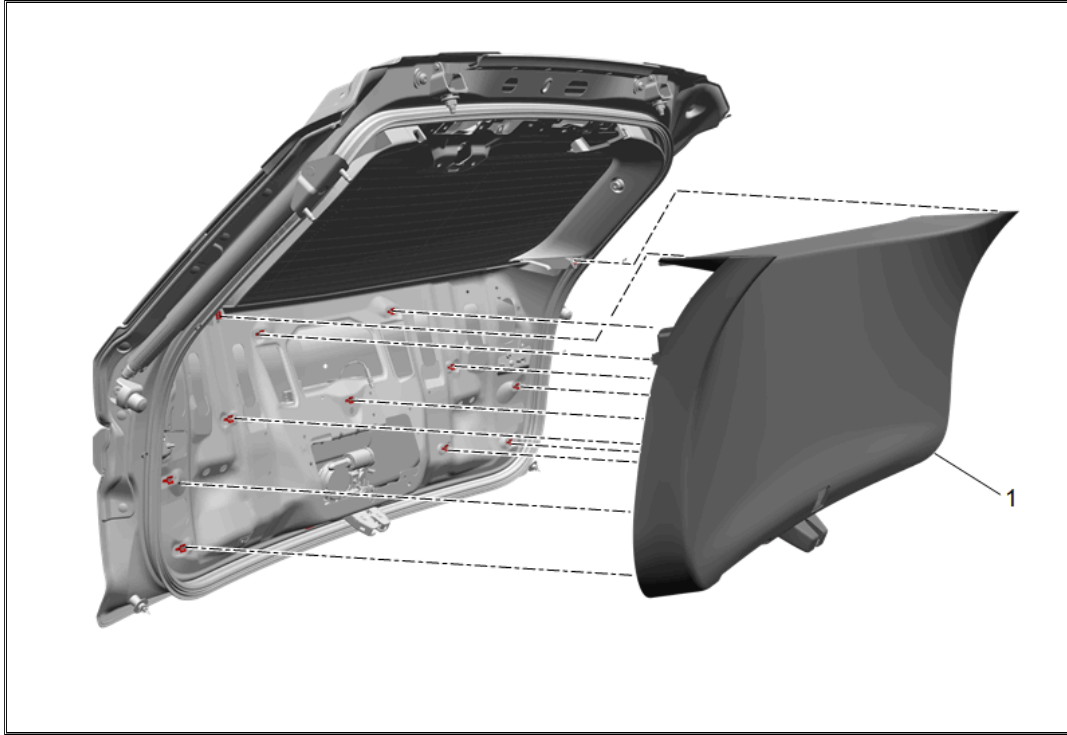
**Note:** Use caution during the steps to avoid marring or scratching the class "A" paint finish.

6. From inside the liftgate, squeeze the retainer tabs together while prying the emblem (1) off the vehicle body using a plastic squeegee from the outside.
7. Light adhesive residue remaining on the paint surface can be removed using 3M's General Purpose Adhesive Cleaner, or isopropyl alcohol, and a soft clean cloth.

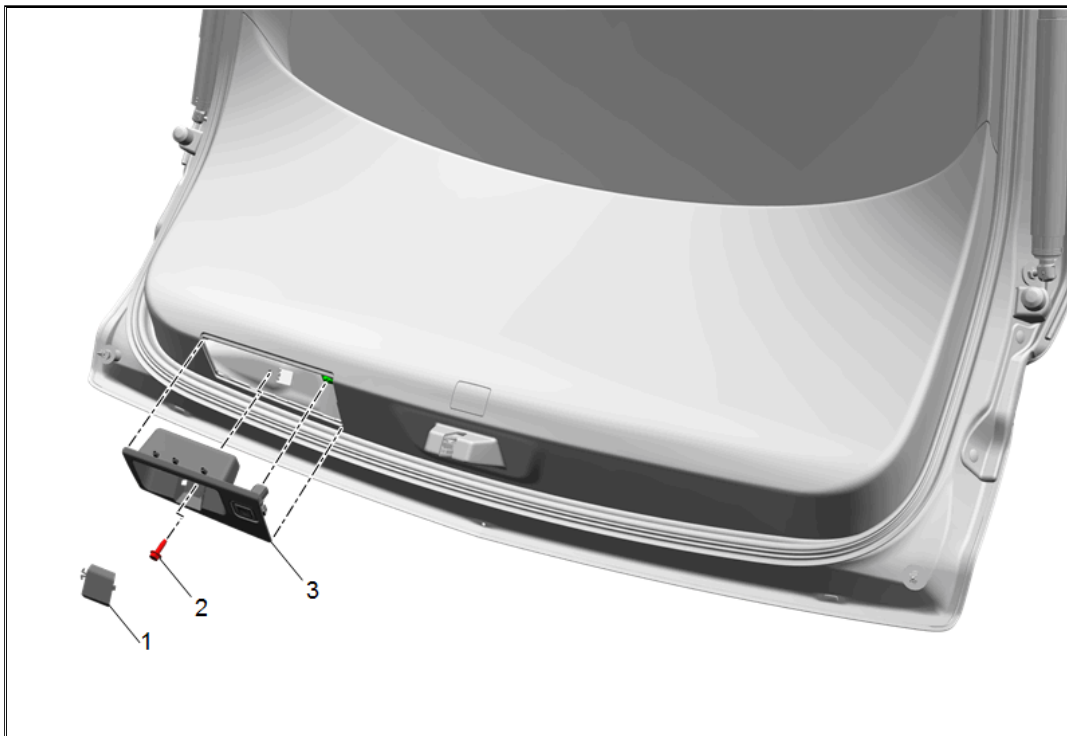
#### Install Rear Emblem



1. The paint surface must be clean and dry before installation of a new emblem.
2. Temperature ranges required for installation of a new emblem are 16°C (60°F) - 43°C (110°F) for the body, and the emblem.
3. Remove the protective adhesive liner from the back of the new rear emblem and place the new rear emblem (1) to the liftgate while aligning the emblem tabs to the holes in liftgate. Apply firm pressure to new emblem to make sure proper adhesion is achieved.
4. General surface contaminants, such as dirt, dust, fingerprints, moisture, oil, etc., can be removed with a dry cleaning cloth from 3M (Scotch Brite High Performance Cloth), or Contec (Thunderbolt Cloth).



5. Position the liftgate lower trim finish panel (1) to the liftgate and connect electrical connector if equipped.
6. Install liftgate lower trim finish panel to liftgate making sure to engage the retainers.



7. Position the liftgate trim finish panel pull cup to liftgate lower trim and connect the electrical connector.
8. Install liftgate lower trim finish panel pull cup (3) to liftgate making sure to engage the retaining tabs.
9. Install the bolt (2) to liftgate trim finish panel pull cup and tighten to 4 N.m (35 lb in).
10. Install the liftgate trim finish panel pull cup cap (1).