

## Document ID: 5659780

**[WIP] Front Grille Package Installation****Installation Instructions Part Number**

84723588

**Kit Contents**

Qty	Description
1	Front Grille
1	Installation Instructions

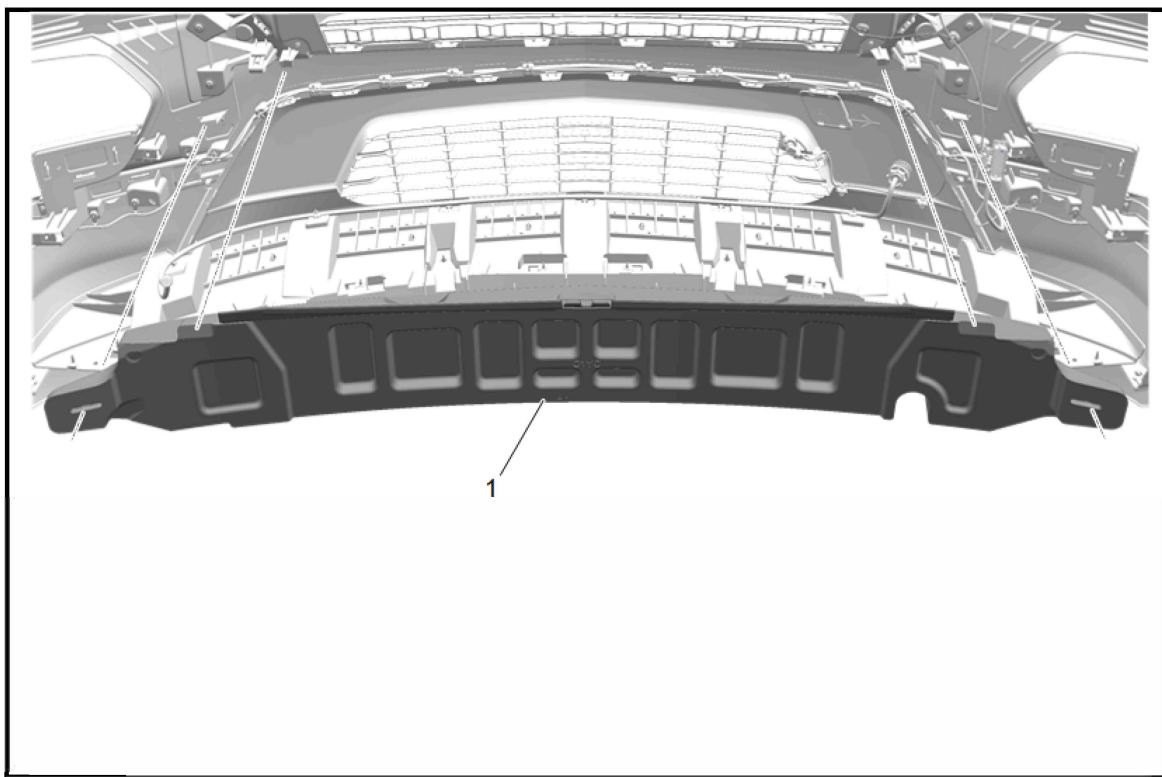
**Tools Required**

Suitable Trim Removal Tool

**Procedure****Remove OEM Grille**

**Note:** Upon removing the front bumper fascia, complete removal of the front wheelhouse liner is not required. Remove only the front section of wheelhouse liner and pull back wheelhouse liner to access front bumper fascia retainers.

1. Remove the front bumper fascia. Refer to [Front Bumper Fascia Replacement](#) in Vehicle Service Manual.
2. Place the bumper fascia face down on a clean protected surface.

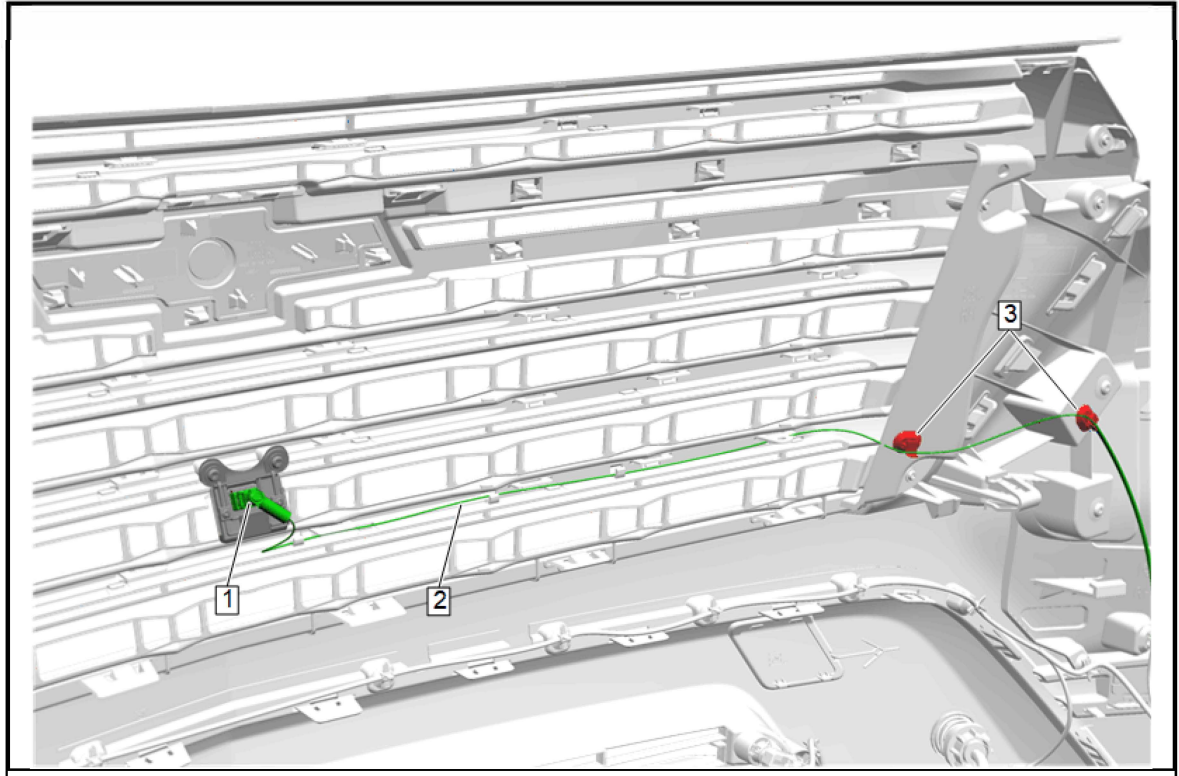


3. Release the 4 retainer tabs and remove the front bumper fascia energy absorber (1) from the fascia.

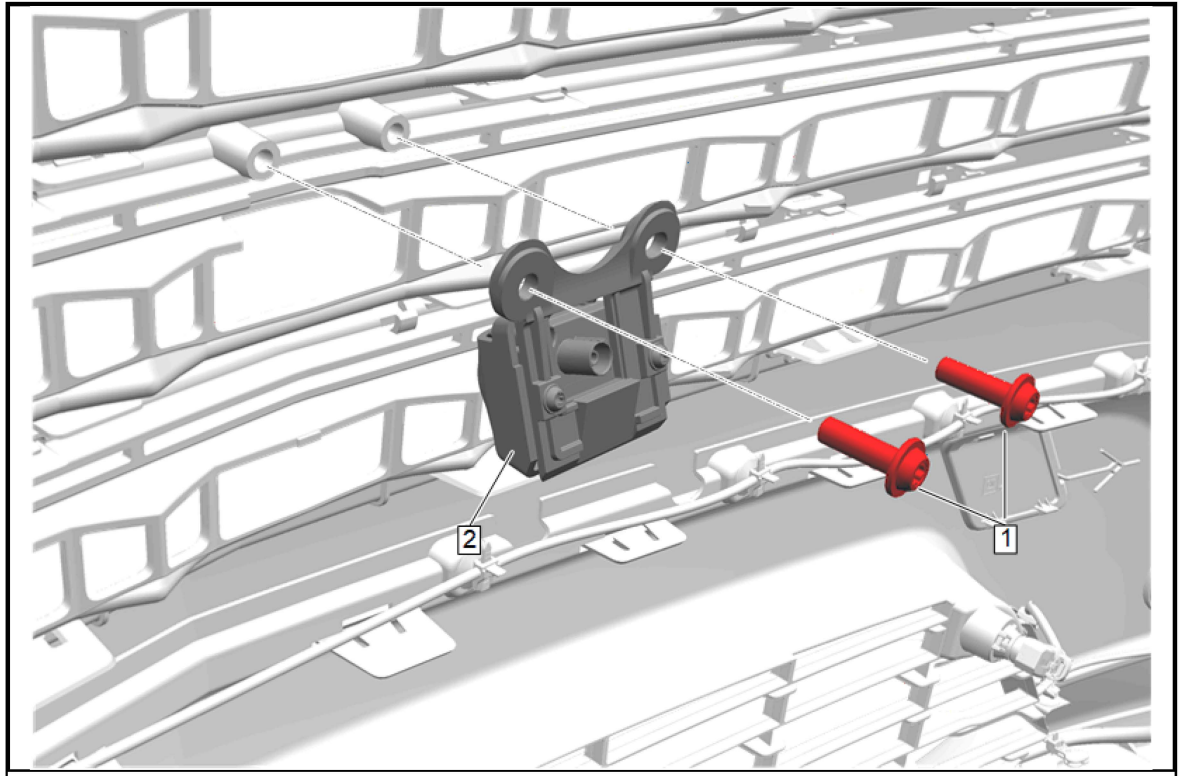
**Note:** If vehicle is equipped with UV2, the camera must be transferred to new grille.

4. **If vehicle is equipped with front view camera option, disconnect the harness, retainers and remove camera. Refer to model variations below:**

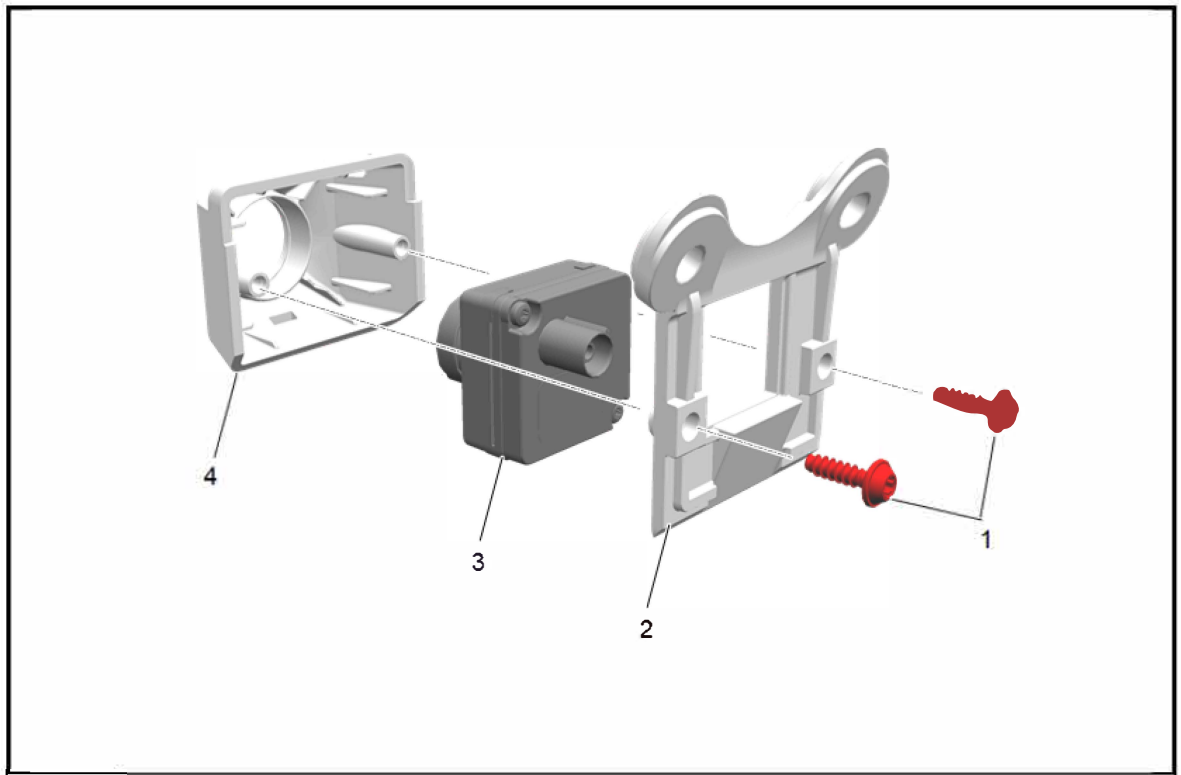
LT



- 4.1. Disconnect the electrical connector (1) from front view camera.
- 4.2. Using a suitable trim removal tool, disengage the retainers (3) and reposition the front view camera harness (2).

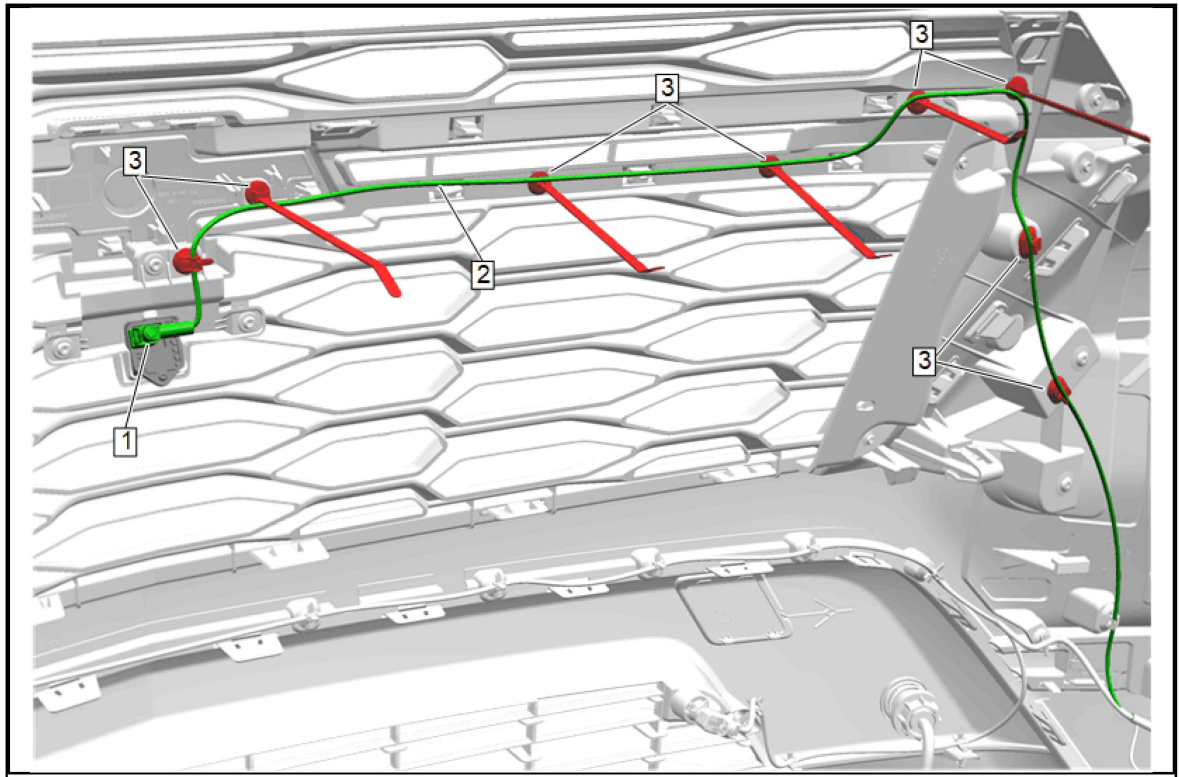


4.3. Remove the screws (1) and the front view camera assembly (2) from the grille.

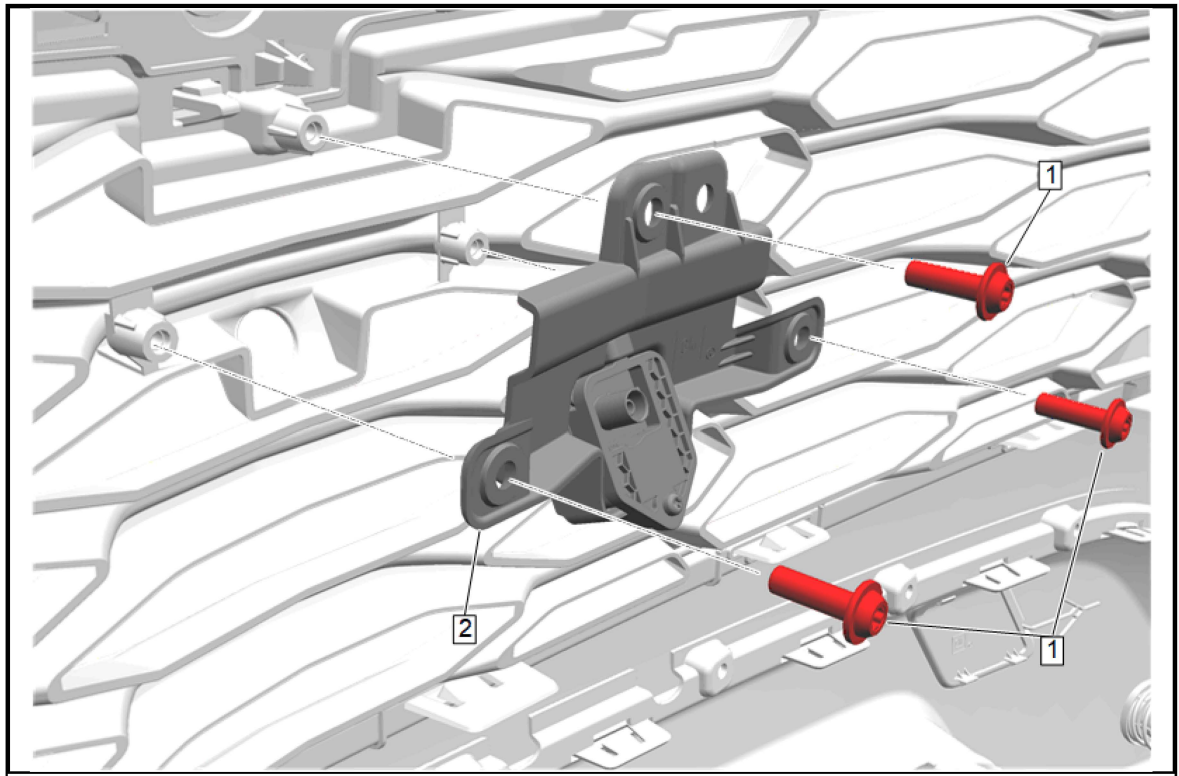


- 4.4. Remove the screws (1) from camera bracket (2) and remove the front view camera (3) from the housing (4).

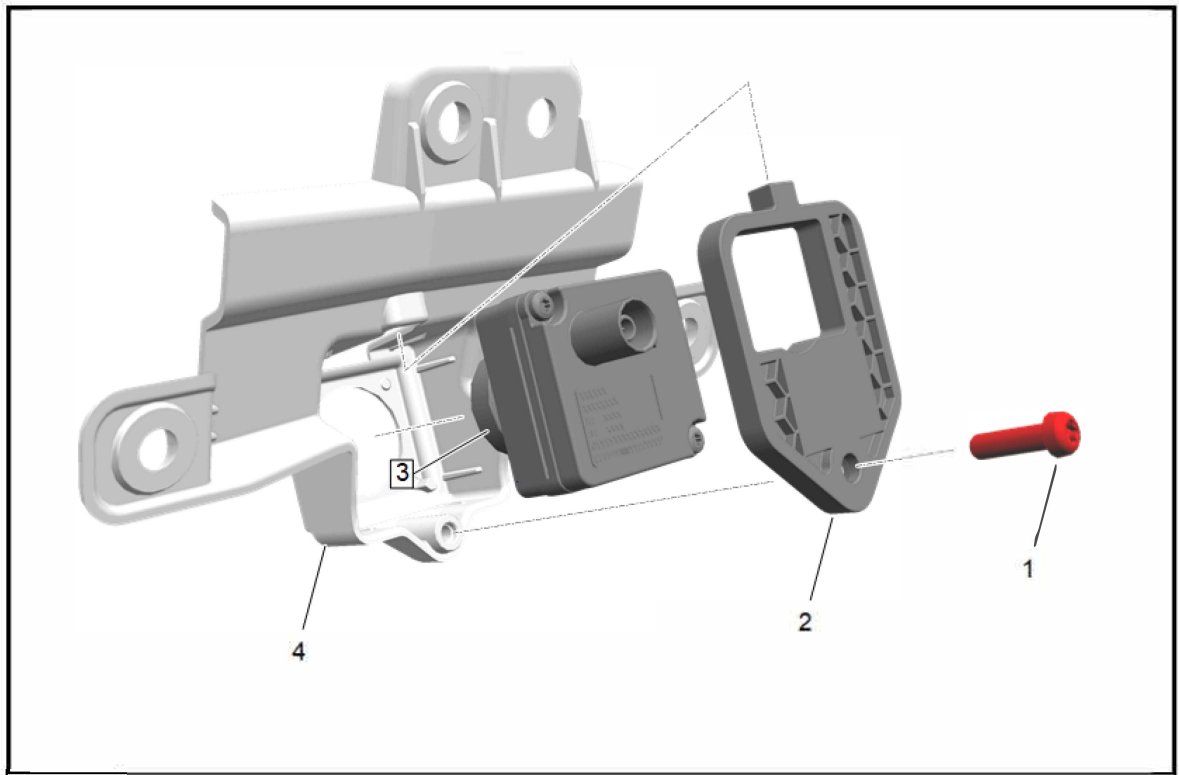
### RS and Redline



- 4.1. Disconnect the electrical connector (1) from front view camera.
- 4.2. Using a suitable trim removal tool, disengage the retainers (3) and reposition the front view camera harness (2).

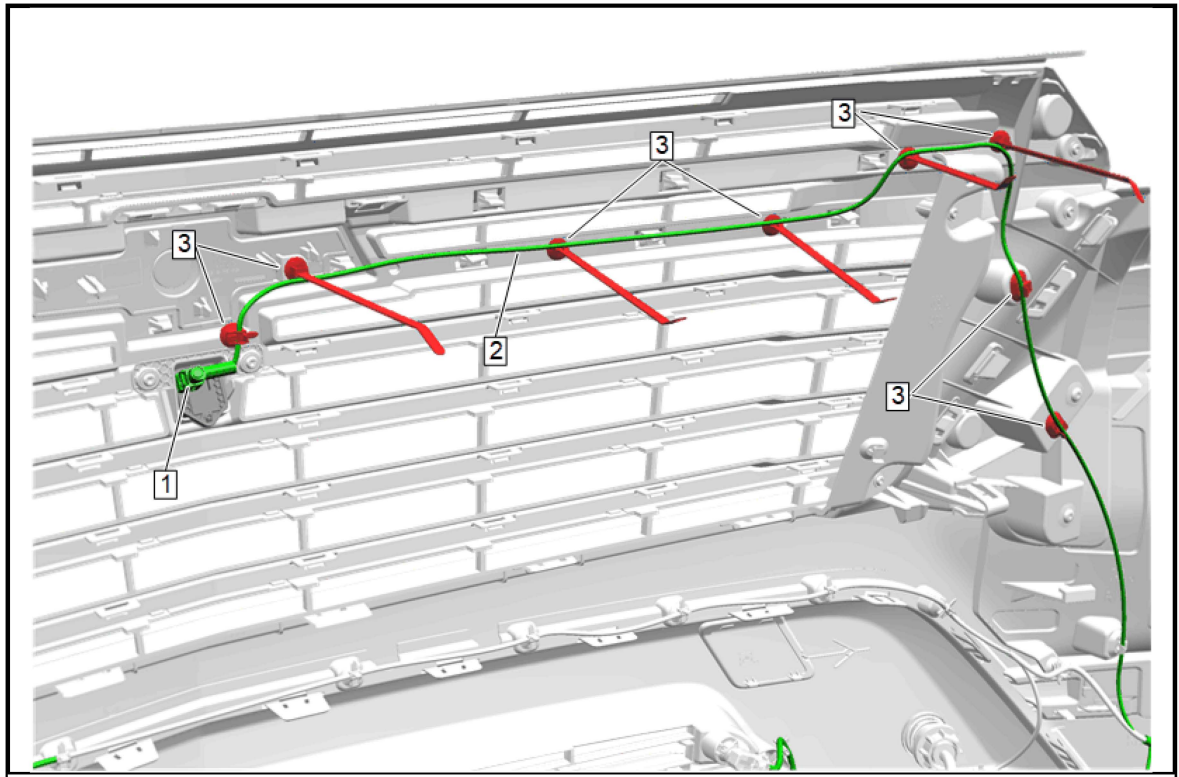


4.3. Remove the screws (1) and the front view camera assembly (2) from the grille.

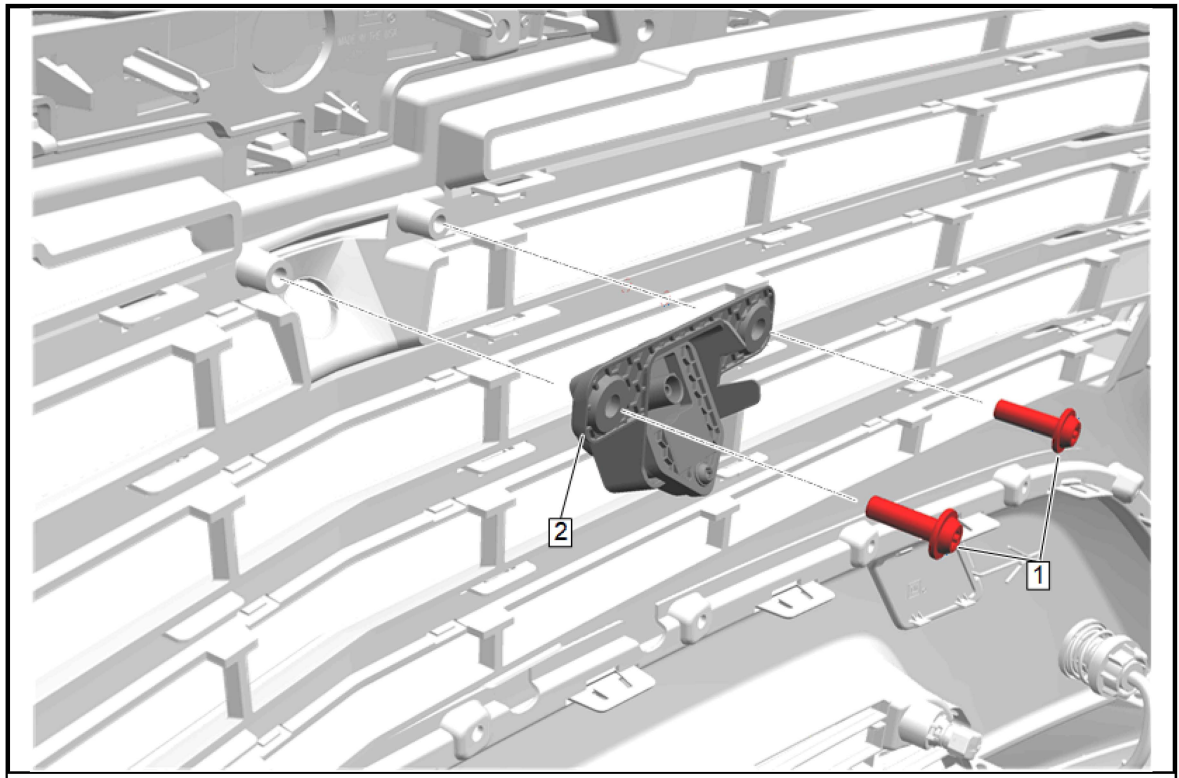


- 4.4. Remove the screw (1) from camera bracket (2) and remove the front view camera (3) from the housing (4).

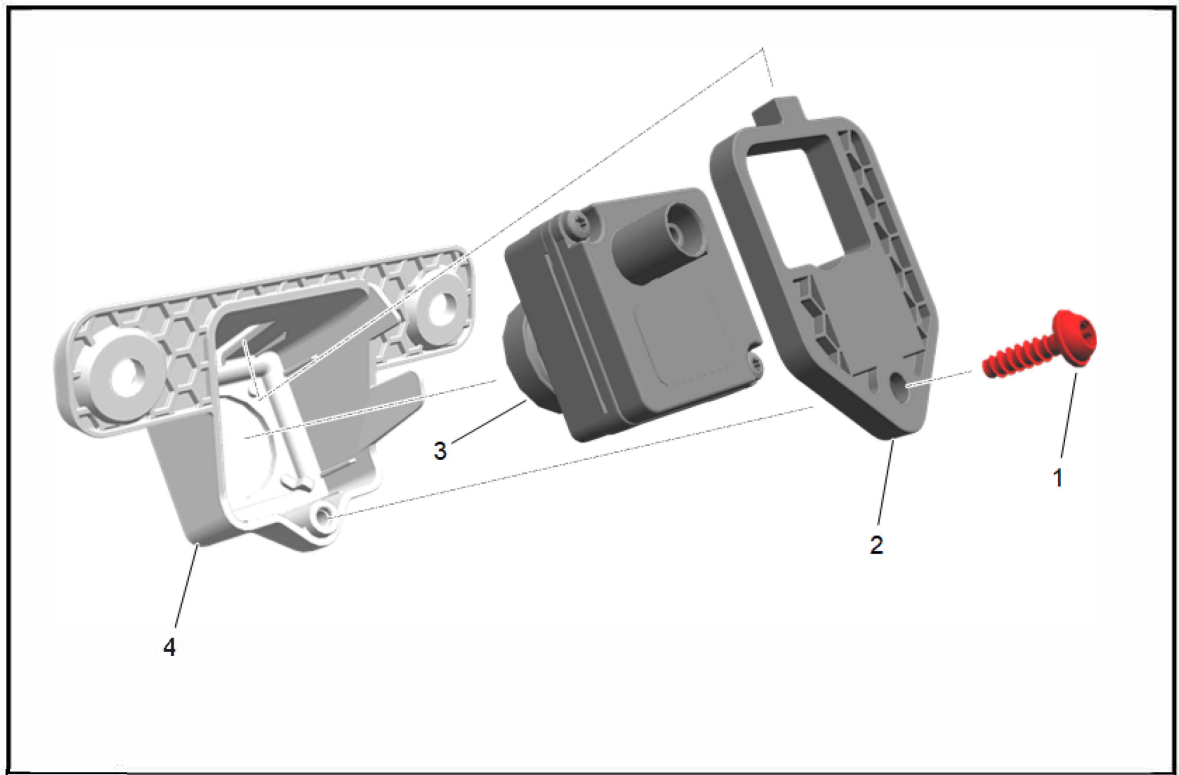
### High Country and Premier



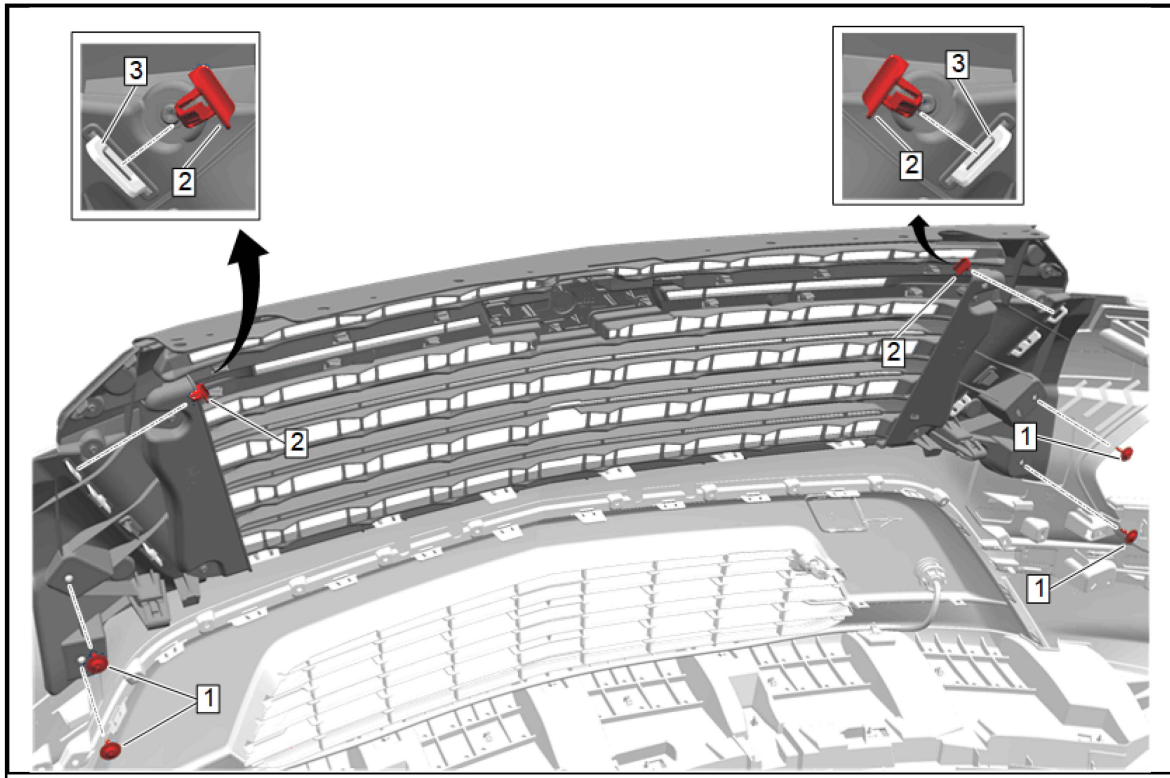
- 4.1. Disconnect the electrical connector (1) from front view camera.
- 4.2. Using a suitable trim removal tool, disengage the retainers (3) and reposition the front view camera harness (2).



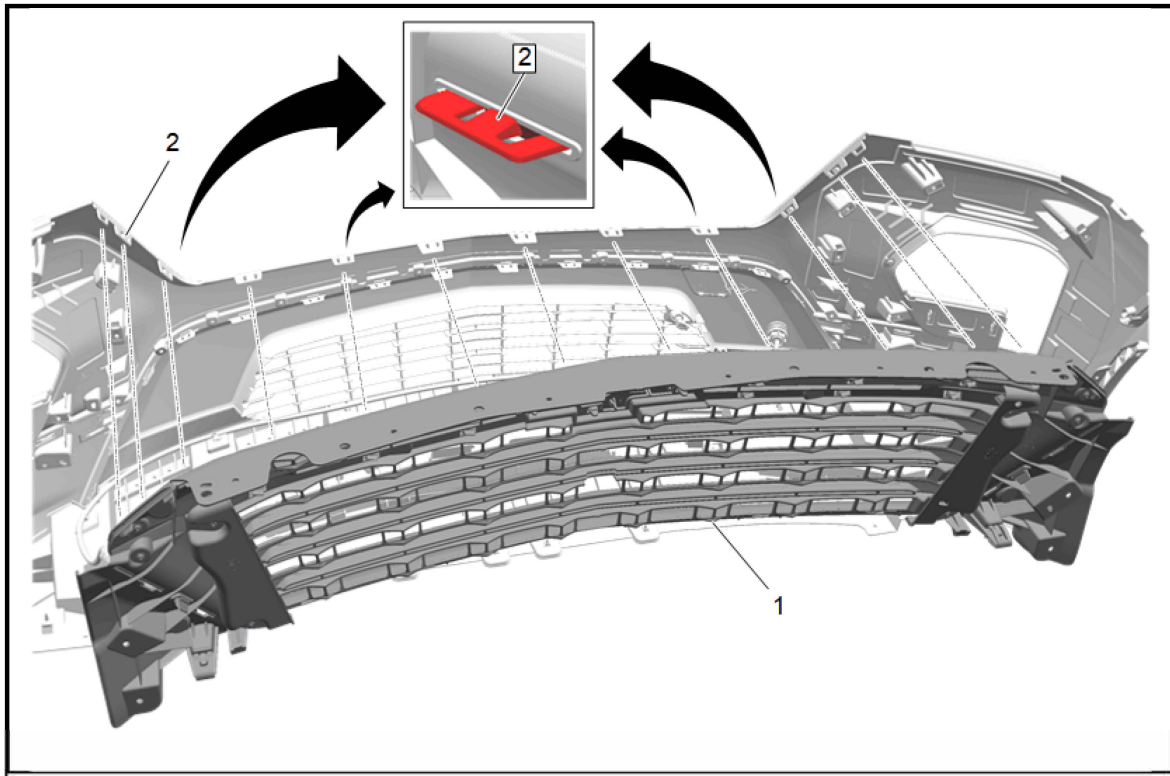
4.3. Remove the screws (1) and the front view camera assembly (2) from the grille.



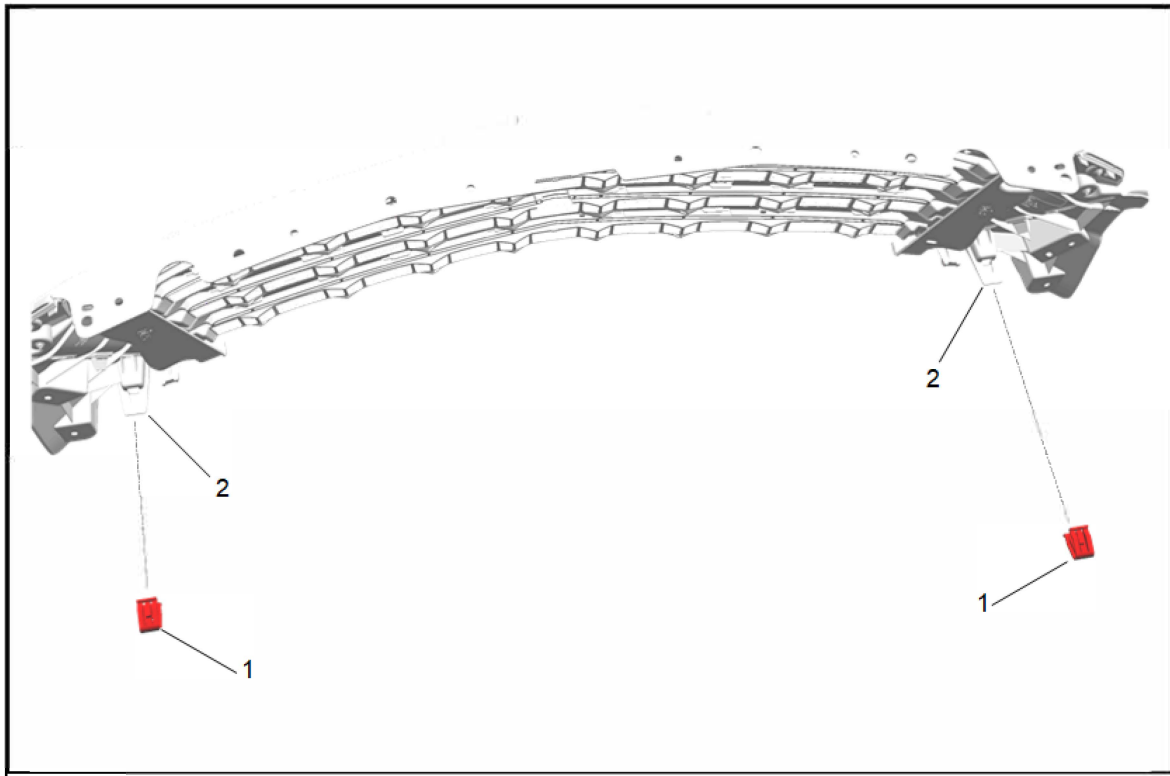
- 4.4. Remove the screw (1) from camera bracket (2) and remove the front view camera (3) from the housing (4).



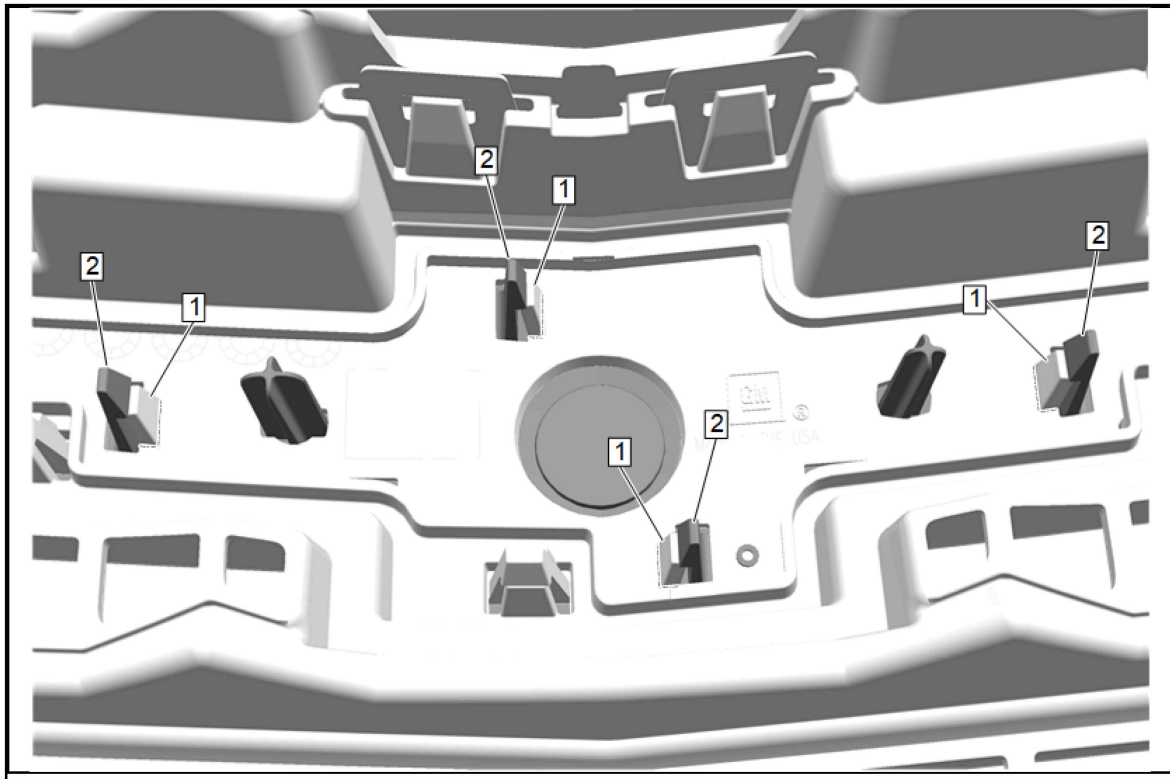
5. Remove and retain the outer front grille bolts (1).  
6. Remove and retain the outer clips (2) from the fascia tabs (3).



7. Carefully release the front fascia grille locking tabs (2) securing the grille.
8. Remove the grille (1) from the front bumper fascia.

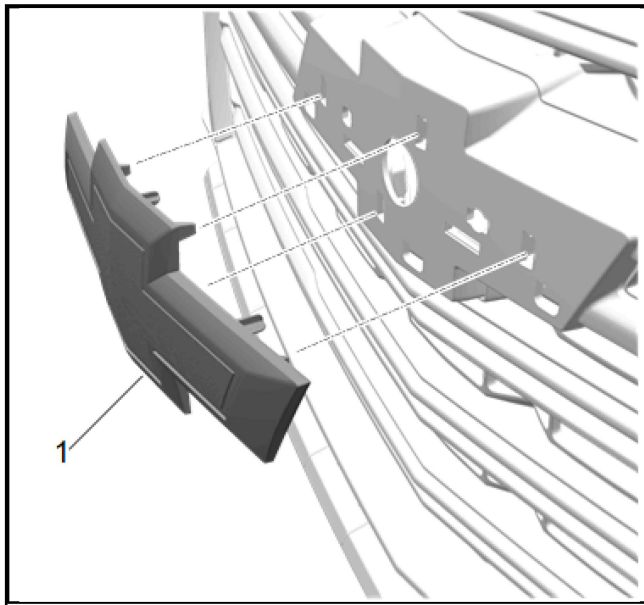


9. Carefully remove and retain the clips (1) from the grille (2).



**Note:** If the customer chooses to keep the existing grille emblem, refer to steps 10 and 11. Customer may also choose to order and install the alternative finish emblem offered as a separate accessory kit.

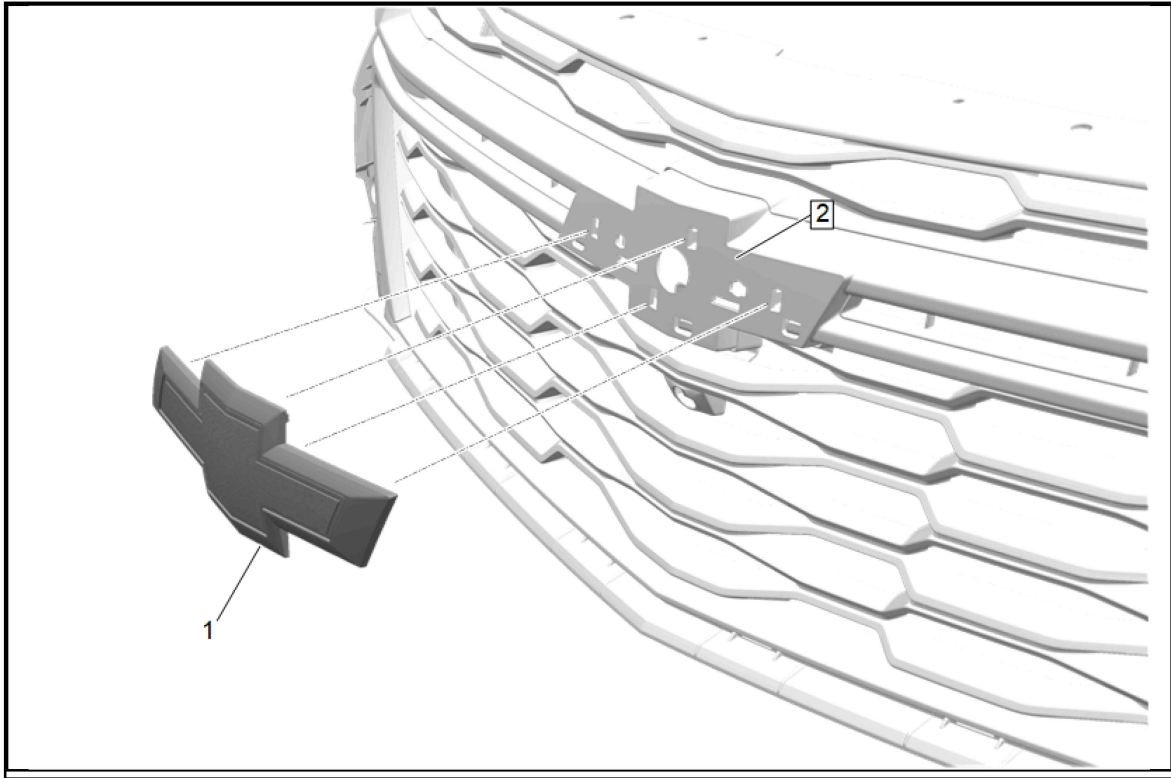
10. Using a suitable cutting tool, cut the locking tabs (1) on the back side of the front grille emblem adaptor. Make sure not to deflect or bend the emblem tabs (2).



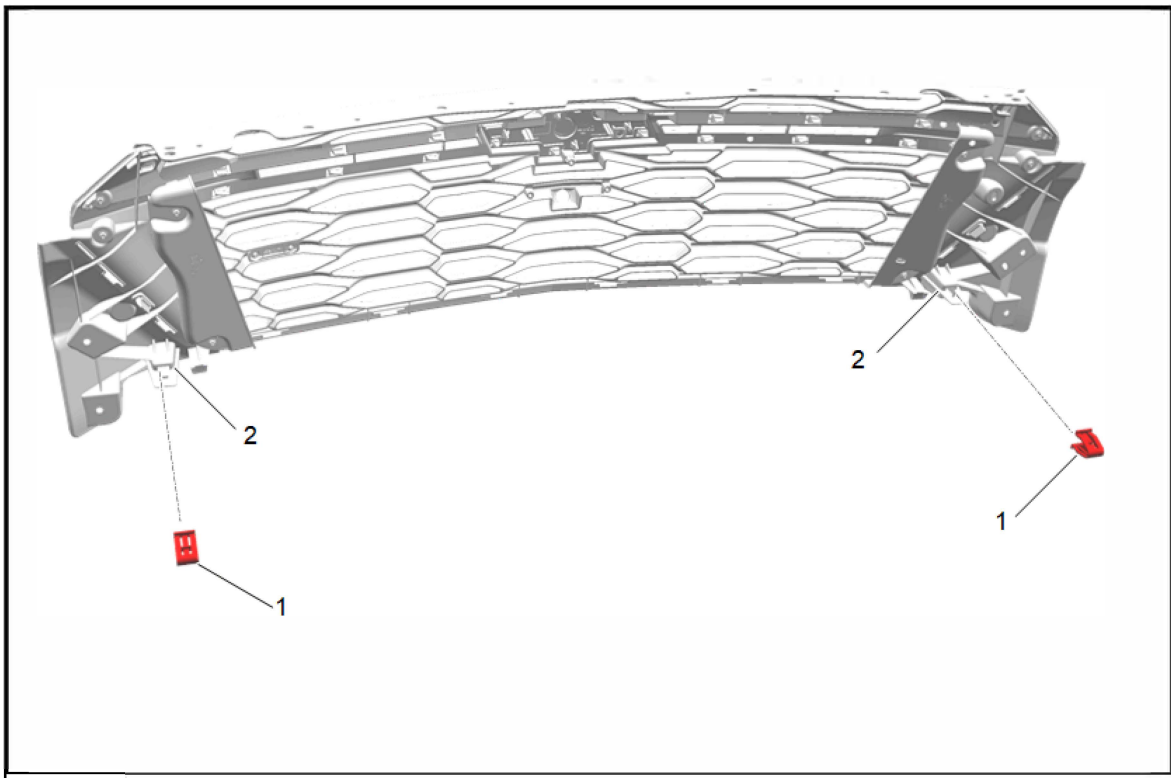
11. Remove the grille emblem (1) from the front grille emblem adaptor.

### Install New Grille

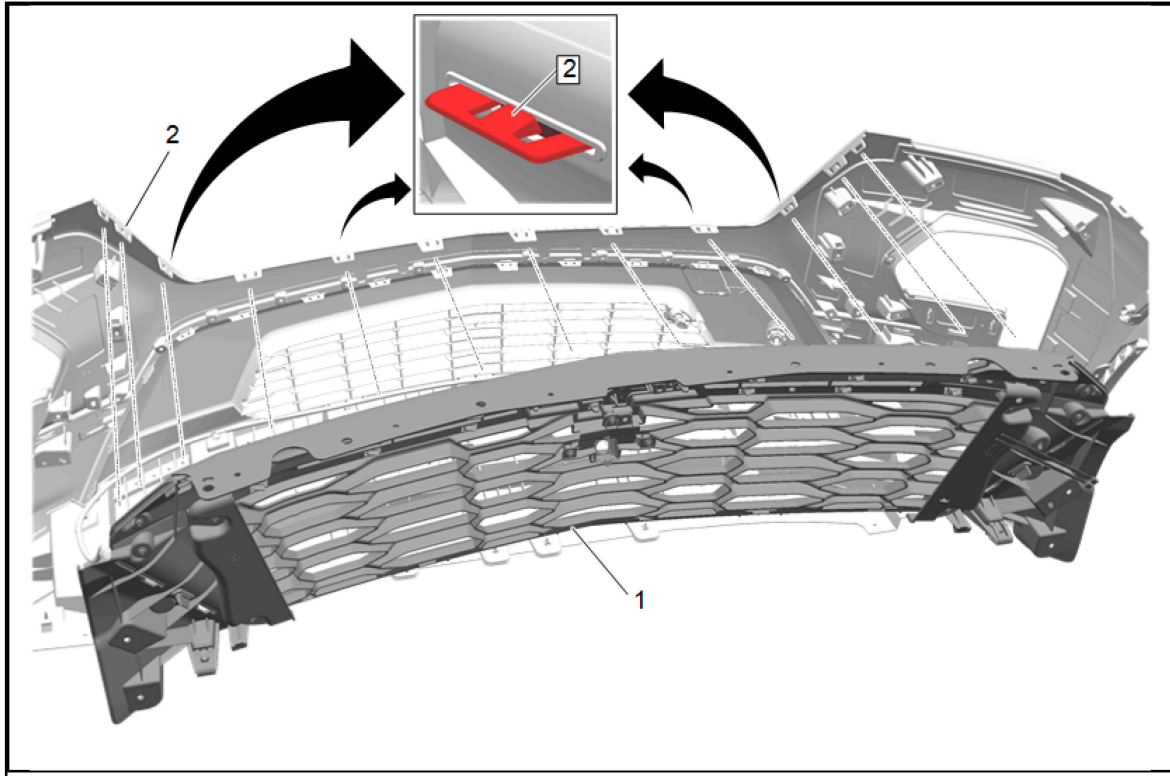
© 2021 General Motors. All rights reserved.



1. Install the bowtie emblem (1) to the grille insert emblem adaptor (2) engaging the retaining tabs.



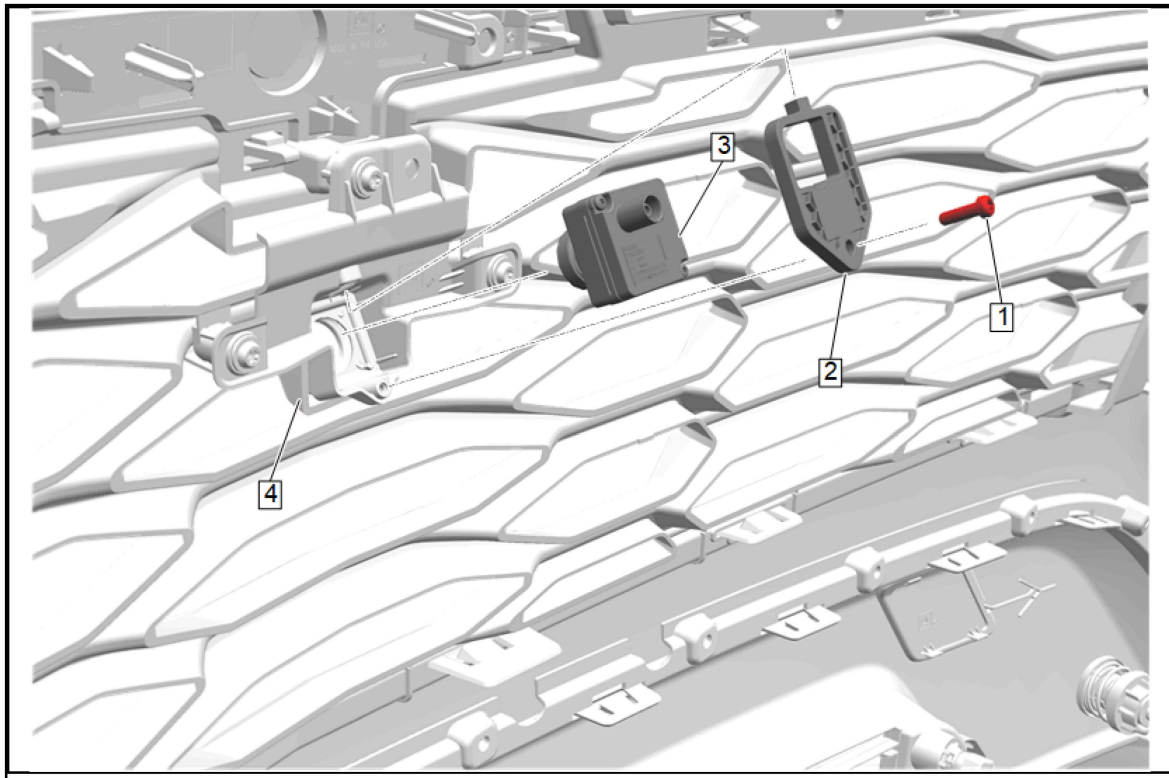
2. Install the clips (1) to the grille (2).



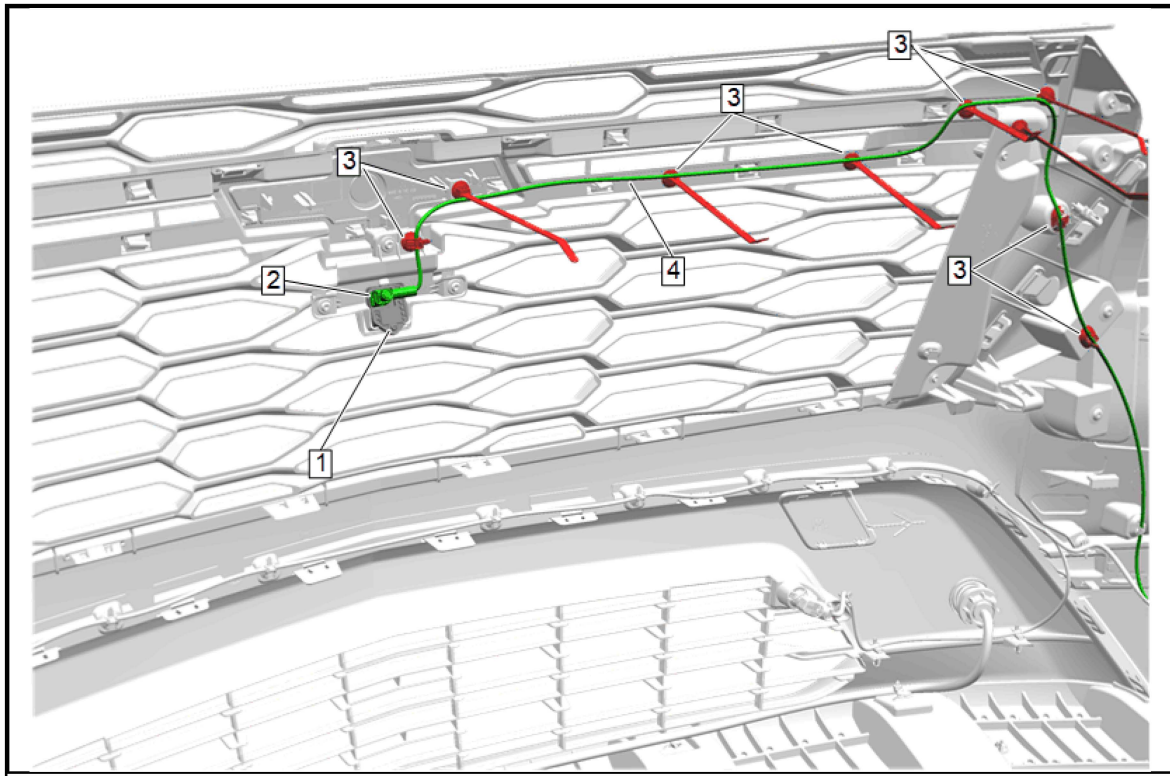
3. Front Grille (1) » Install . Make sure to engage locking tabs (2).

**Caution:** Use the correct fastener in the correct location. Replacement fasteners must be the correct part number for that application. Fasteners requiring replacement or fasteners requiring the use of thread locking compound or sealant are identified in the service procedure. Do not use paints, lubricants, or corrosion inhibitors on fasteners or fastener joint surfaces unless specified. These coatings affect fastener torque and joint clamping force and may damage the fastener. Use the correct tightening sequence and specifications when installing fasteners in order to avoid damage to parts and systems.

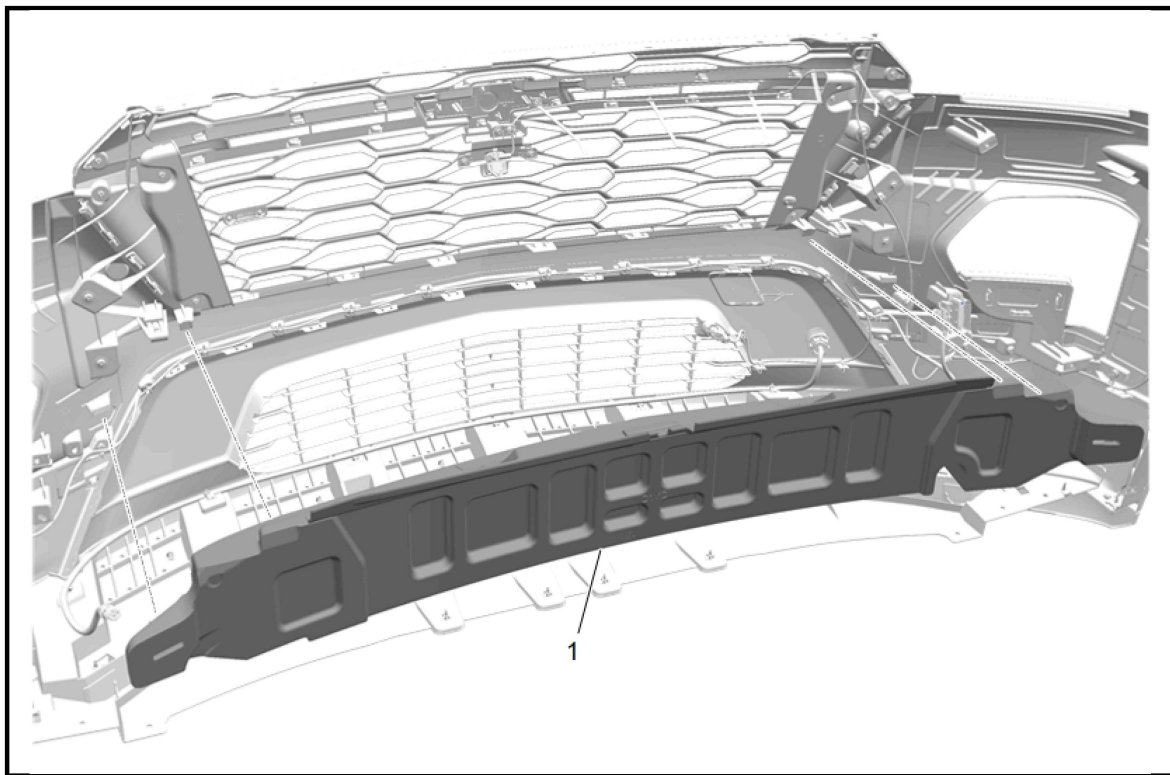
4. Install the outer bolts (1) to the grille and tighten to 2.5 N.m (22 lb in).
5. Reinstall the outer clips (2) to retaining tabs (3).



6. Reinstall the front view camera (3) to front camera housing (4).
7. Install camera bracket (2) to camera and housing.
8. Camera bracket bolt (1) Install and tighten [1x] **2.5 N.m (22 lb in)**



9. Reposition wire harness (4), install jumper harness if necessary (LT models only) and install harness retainers (3).
10. Connect electrical connector (2) to front camera (1).



11. Install the front bumper fascia energy absorber (1) to the fascia and engage the 4 retainer tabs.
12. Reinstall the front bumper fascia. Refer to [Front Bumper Fascia Replacement](#) in Vehicle Service Manual.
13. Check and confirm operation of headlamps and fog lamps.

### **Important**

- For vehicles with no Camera, no SPS programming or calibration is required.
- For Sport vehicles with front camera (**UV2** or **UVH**) , no SPS programming is required. Calibration will be performed automatically by the VPM module. For more details on camera learning procedure please refer to [Video Processing Control Module Calibration](#) in Vehicle Service Manual.
- For Non Sport vehicles equipped with front camera (**UV2** or **UVH**), Calibration is required:
  - Non Sport vehicles vehicle equipped with Front Camera will require programming of the Digital Video Processing Module via SPS and TIS2Web. Before programming the Digital Video Processing Module, please call Tech-line Customer Support Center (TCSC) at (1-800-828-6860). TCSC will provide programming requirements and instructions. When calling TCSC, please insure the specific vehicle VIN and Authorization Code is on hand. Using the Scan Tool with a MDI, and SPS-TIS2WEB, update the VPM module calibration to activate the "front camera" system and then proceed to the camera learning procedure. Refer to [Video Processing Control Module Calibration](#) in Vehicle Service Manual.