

Document ID: 5459193

Body Emblem Package Installation

Installation Instructions Part Number

84754508

Kit Contents

Qty	Description
1	Monochromatic Emblem – Front Grille
1	Rear Push button/Monochromatic Emblem – Liftgate
7	Liftgate Applique W-Clips
1	Installation Instructions

Required / Recommended Tools

Thin flat-bladed tool

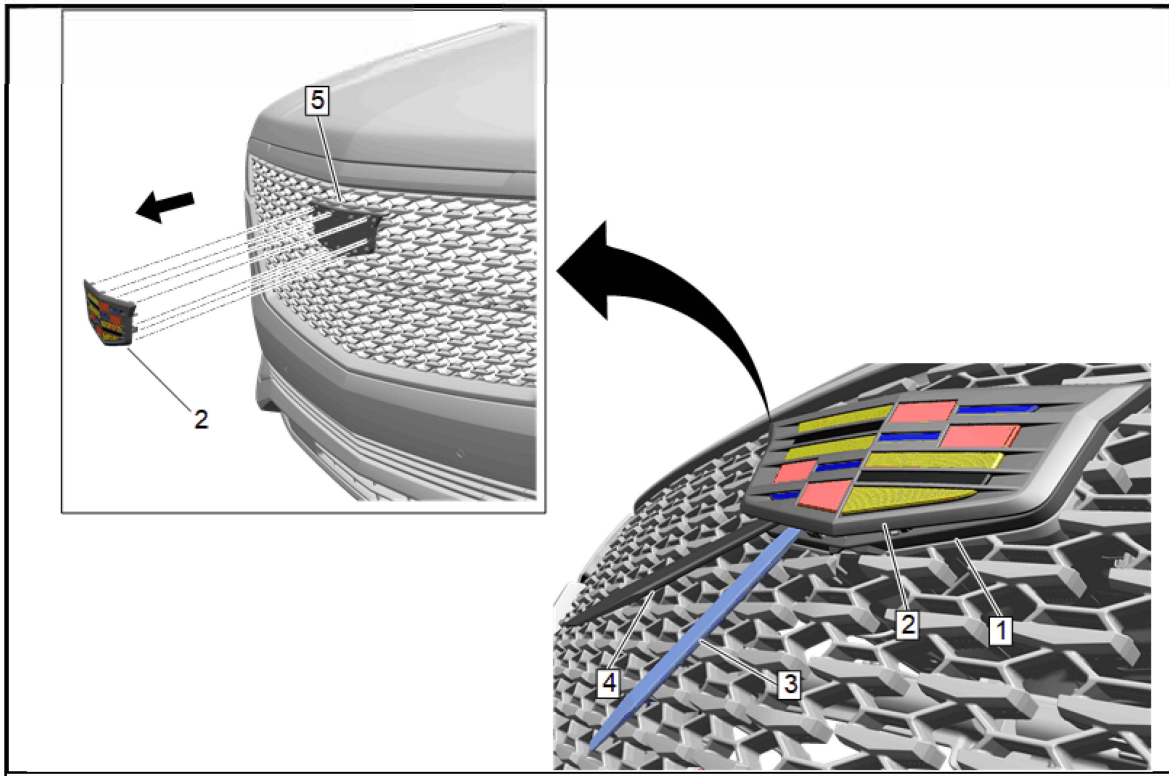
Plastic flat-bladed tool

Procedure

Front Monochromatic Emblem Replacement

Note: Read all instructions before performing procedure.

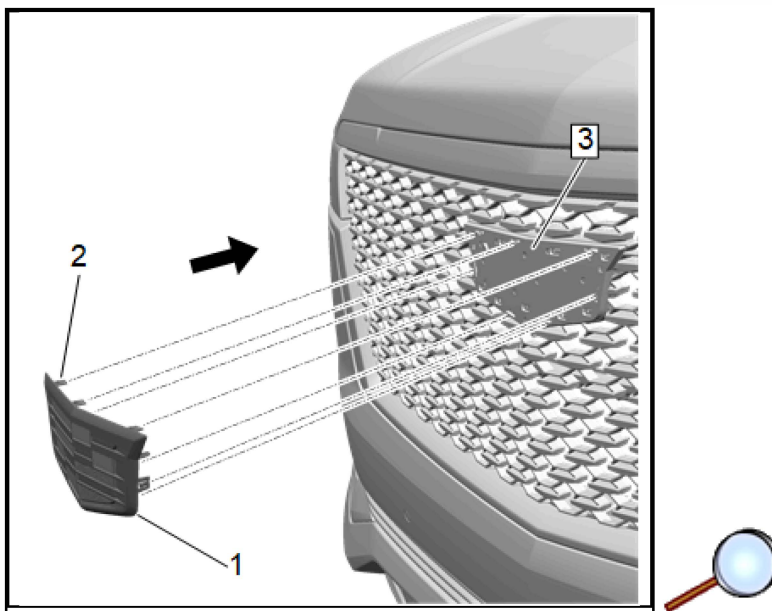
1. Inspect kit to verify all parts are included.
2. Turn off the vehicle.



Note: Existing multi colored emblem (2) will be damaged and not suitable for re-use.

Note: Use caution not to scratch or damage the plinth (1).

3. Using a suitable thin flat bladed tool (4), starting at the lower edge separate the multicolored emblem (2) from the grille plinth (1) by creating a gap.
4. Once small gap is created with flat bladed tool (4) in place, insert a suitable plastic flat bladed tool (3) then release the thin flat bladed tool (4) and carefully release the 7 locking tabs one at a time and remove the front multicolored emblem (2) from the grille plinth (5).

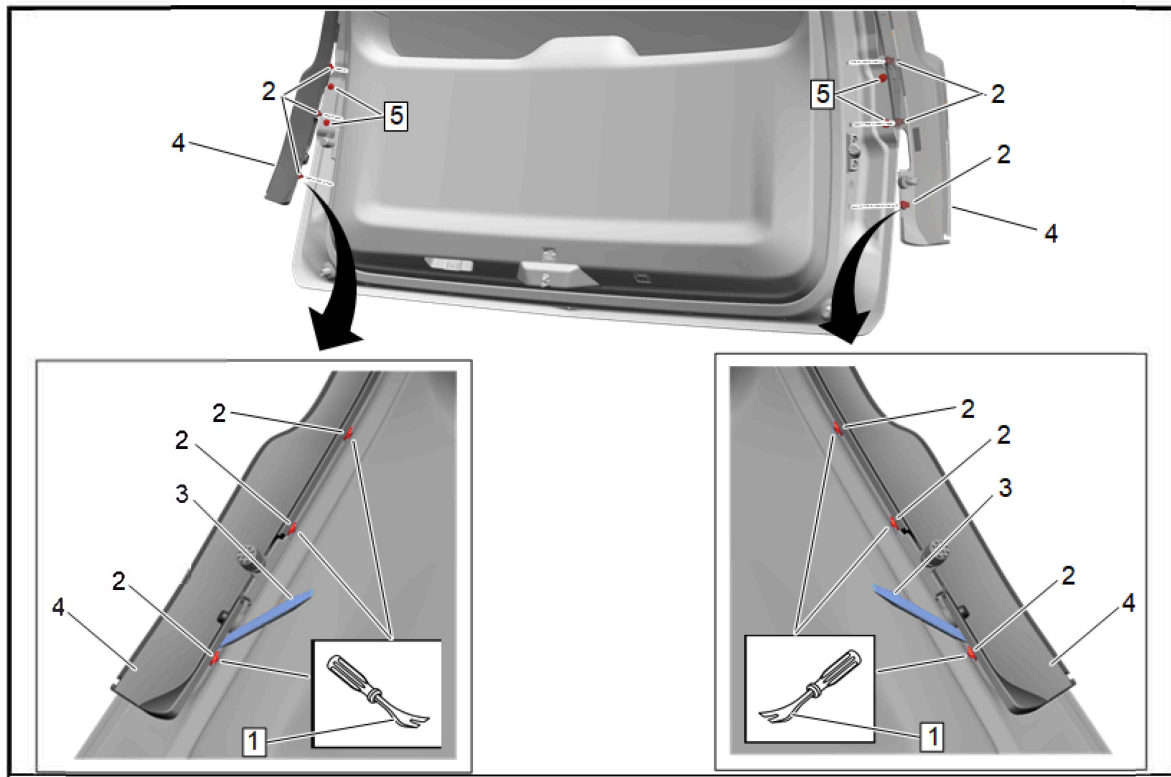


5. Clean the plinth surface (3) with the alcohol wipe and make sure the surface is free from dust and debris.

6. Install the new monochromatic emblem (1) to grille plinth surface (3) applying enough evenly distributed pressure to engage the locking/retention tabs (2).
7. Verify that the emblem is fully seated and securely attached to the grille.

Rear Monochromatic Emblem Replacement

1. Turn off vehicle.



Note: It is not necessary to completely remove the liftgate inner access covers completely.

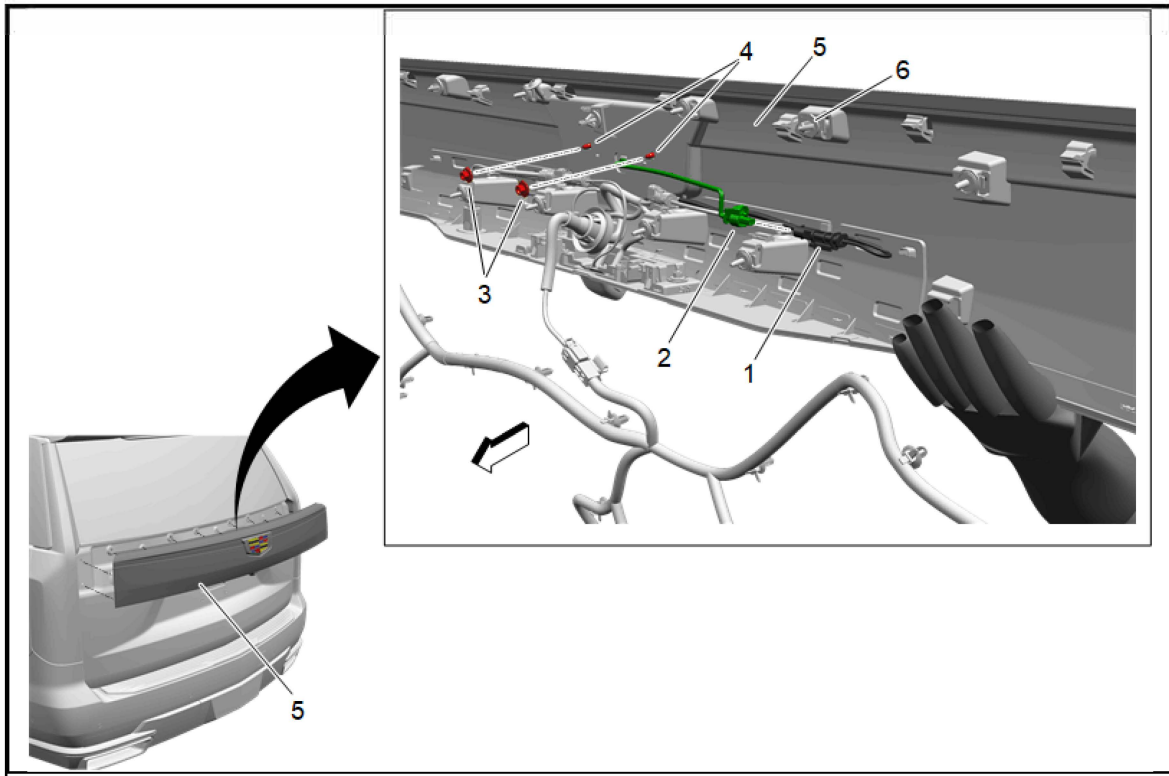
Note: Carefully engage the plastic retainers. Avoid prying on the trim itself

2. Using an appropriate flat-bladed tool (3), slightly pry up on the liftgate inner access trim cover (4) and locate the three lower plastic retainers (2). Using a suitable trim tool (1), position trim tool between plastic retainer (2) and liftgate to disengage the three plastic retainers (2). Partially reposition the liftgate inner access covers (4) from the liftgate far enough in order to access the applique outer bolts (5).



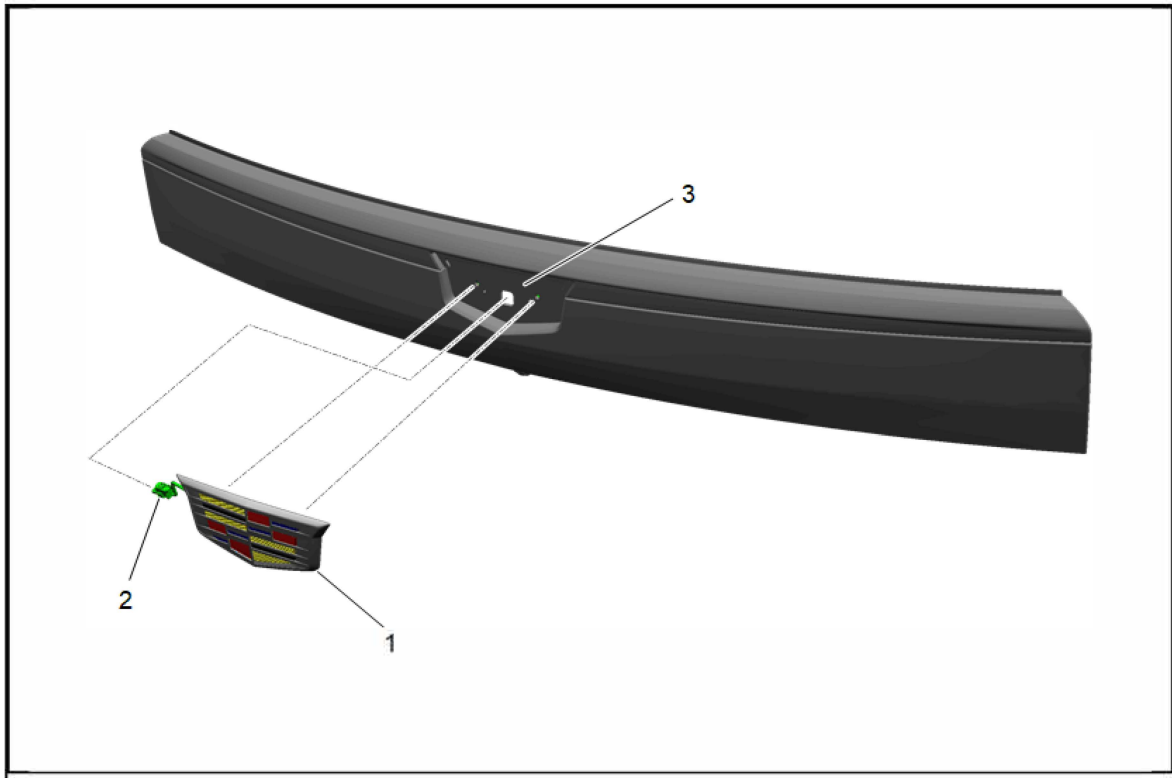
Note: Rear applique does not require disconnecting wiring, hoses and grommet in order to access rear of emblem. Pull back rear applique far enough in order to access the rear of emblem.

3. Disconnect and set back liftgate applique assembly (1) in order to access rear of emblem. Refer to [Rear Closure Center Applique Replacement](#) in Vehicle Service Manual.

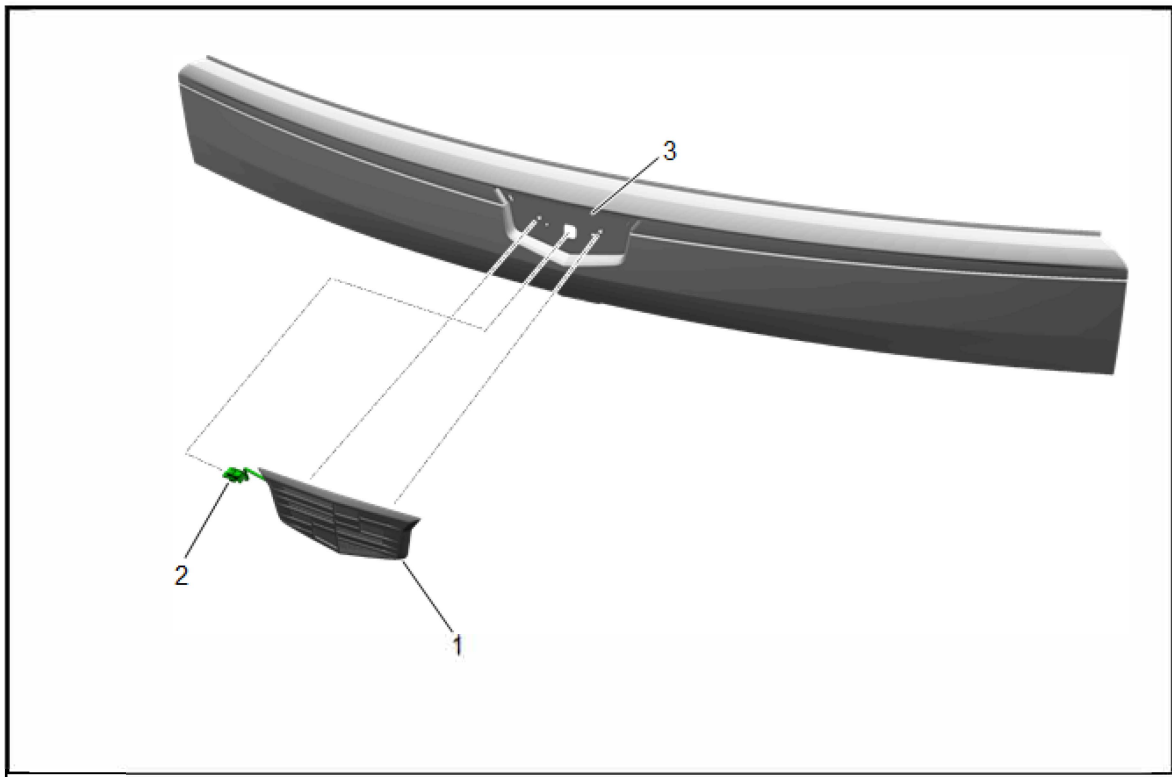


Note: If any W-clips (6) on applique are broken during removal, replace with supplied W-clips in kit.

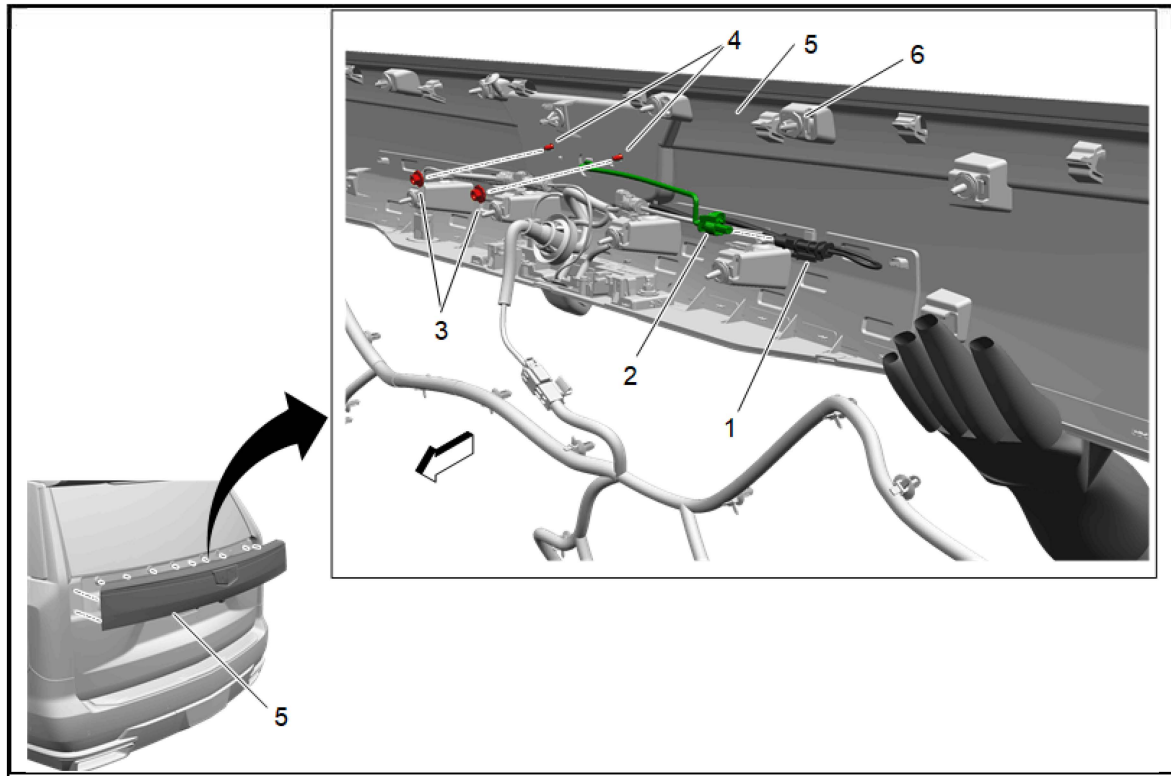
4. While carefully supporting the rear applique (5) disconnect the liftgate applique harness connector (1) from the rear emblem switch connector (2).
5. Remove the nuts (3) from the rear emblem switch (4).



6. Remove the rear emblem switch (1) with harness (2) from the liftgate applique (3).



7. Position the harness (2) of new rear emblem switch through the hole in liftgate applique (3), then install rear emblem switch (1).



Caution: Use the correct fastener in the correct location. Replacement fasteners must be the correct part number for that application. Fasteners requiring replacement or fasteners requiring the use of thread locking compound or sealant are identified in the service procedure. Do not use paints, lubricants, or corrosion inhibitors on fasteners or fastener joint surfaces unless specified. These coatings affect fastener torque and joint clamping force and may damage the fastener. Use the correct tightening sequence and specifications when installing fasteners in order to avoid damage to parts and systems.

Note: If any W-clips (6) on applique are broken during removal, replace with supplied W-clips in kit.

8. Reinstall the nuts (3) to the new rear emblem switch (4). Tighten the nuts to 2.5 N.m (22 lb in).
9. Connect the liftgate applique harness connector (1) to the new rear emblem switch connector (2).

Note: With the aid of an assistant while carefully supporting the rear applique, test function of rear emblem switch.

10. Reposition the applique wiring and hoses and reinstall applique to liftgate. Refer to [Rear Closure Center Applique Replacement](#) in Vehicle Service Manual.



11. Reposition and install the liftgate inner access covers (2) to the liftgate and engage the plastic retainers (1).
12. Close liftgate.