

Body Emblem Package Installation

[Installation Instructions Part Number](#)

84787585

Kit Contents

Qty	Description
1	Emblem (Liftgate) – “ESCALADE” – (if equipped)
1	Emblem (Liftgate) – “600D” – (if equipped) Note: Applies to MY 21 to 24 vehicles only. Does not apply to MY25 vehicles and beyond.
1	Emblem (Liftgate) – “600” – (if equipped)
1	Emblem (Liftgate) – “V Series” – (if equipped)
2	Emblem (Door) – “V Series” – (if equipped)
1	Installation Instructions

Note: Emblems included in kit will vary based on the vehicle configuration purchased.

Tools Required

Masking Tape

Rubber Roller

Scissors

Plastic Flat-Bladed Tool

Isopropyl Solution

Clean Drinking Water

Before you start

Note: Do not wash vehicle for 24 hours after installation of emblem/name plate.

Note: For the emblem to adhere best, the vehicle’s mating surface (rear compartment, etc.) should be free of damage (dents, scratches, creases, fractures, etc.).



Caution: Do not use heat gun/hair dryer or apply excessive heat to the emblem/nameplate as this may damage the paint and surrounding panel surfaces during removal.



Caution: Use a plastic, flat-bladed tool to prevent paint damage when removing an emblem/nameplate. Do not use fishing line to remove nameplate as this may worsen the tape residue cleaning process. Use Isopropyl Alcohol and Lint Free Cloth to remove tape residue. Heavy foam/adhesive residue remaining on the painted surface can be removed using 3M's Scotch-Brite™ Molding Adhesive and Stripe Removal 4-inch Foam Disc. DO NOT use hard Stripe off wheel.

1. The part and surface should be 21°C (70°F) prior to installation. The vehicle should remain 21°C (70°F) for one hour after assembly to allow adhesive to develop sufficient bond strength.
2. Wash the vehicle mating surfaces (Door or Liftgate) with a non-petroleum based cleaning product. If a stronger cleaner is required to remove any contaminants, use 3M general purpose Adhesive Cleaner (P/N 08984). Then, thoroughly dry with a soft clean cloth.

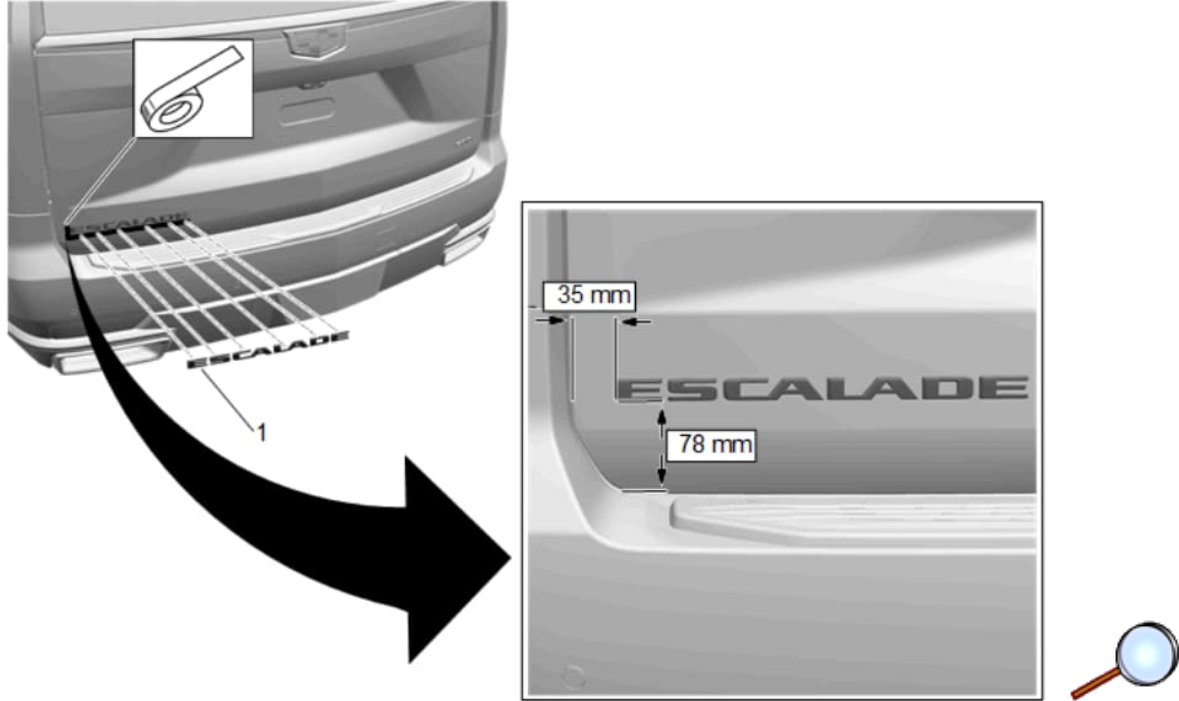
Caution: Only install nameplates as a direct replacement of the existing vehicle content.

© 2024 General Motors. All rights reserved.

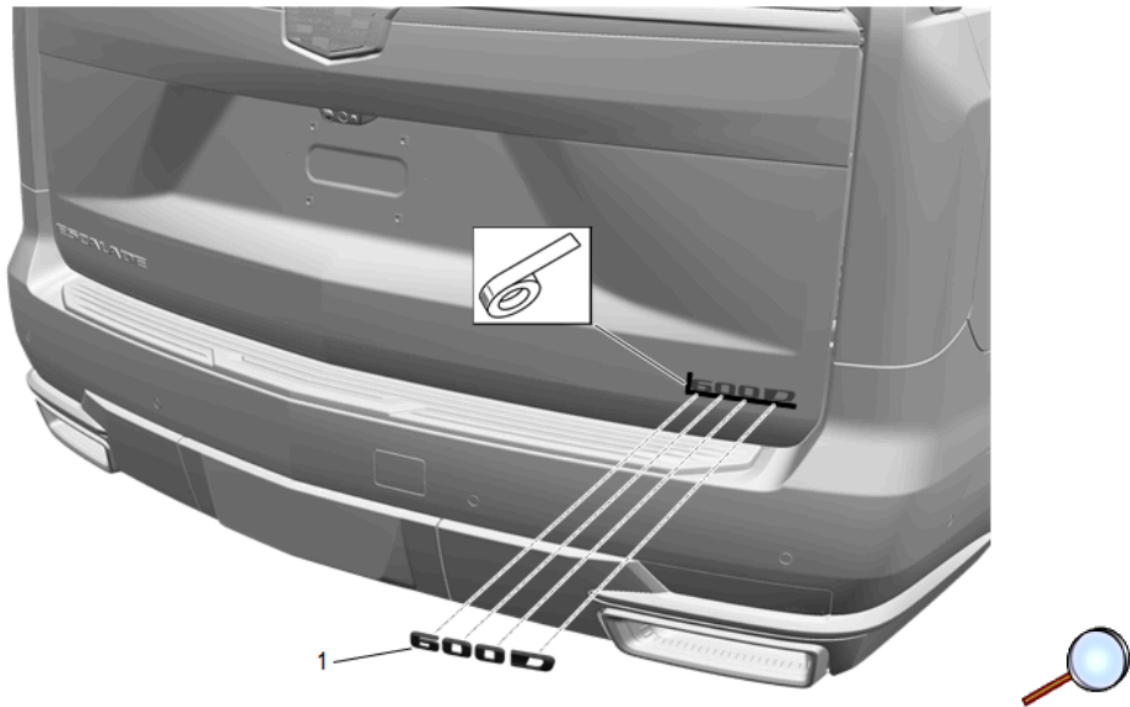
Procedure

Caution: Only install black badges as a direct replacement of the existing vehicle content.

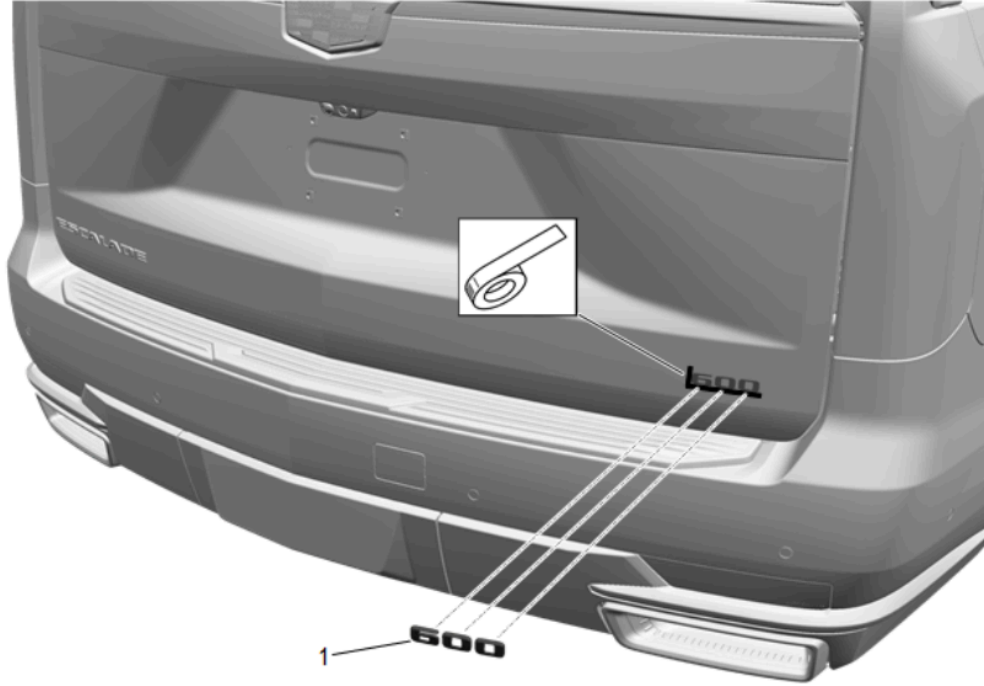
1. Apply masking tape around existing nameplates to be replaced. Tape the left side and the bottom edge of the existing emblem. This will be the locating feature for the new accessory emblem.
Note: Do not use hair dryer or heat gun to an emblem/nameplate that is adhered to a chrome plated surface. Use a plastic flat-bladed tool only to assist in removal of an emblem/nameplate from chrome plated surfaces.
2. Pry the emblem/nameplate off the vehicle body using a plastic flat-bladed tool.
3. Heavy foam/adhesive residue remaining on the paint surface can be removed using isopropyl solution and water.
4. Clean and prep surface completely using an Isopropyl Alcohol Solution with a lint free cloth and allow to dry completely before installation.
5. Take one of the painted emblems and peel the protective liner from the adhesive backing. Be careful not to touch the tape with hands and do not allow tape to come in contact with dirt or any foreign matter prior to adhesion.
6. **IMPORTANT:** The adhesive will bond quickly to the paint. In the event that the emblem should be mis-aligned after installation, do not attempt to remove the emblem as this will cause paint damage. To avoid mis-alignment, do not drop the emblem into place. Instead, first align the bottom edge of the emblem lettering to the masking tape. Then, toggle the emblem into place.
7. Using the palm of the hand or an applicable roller with approximately 10 lbs of pressure, wet out the emblem/nameplate to the mating surface to ensure full adhesion of the nameplate is made.
8. Repeat the same procedure for the remaining emblems.



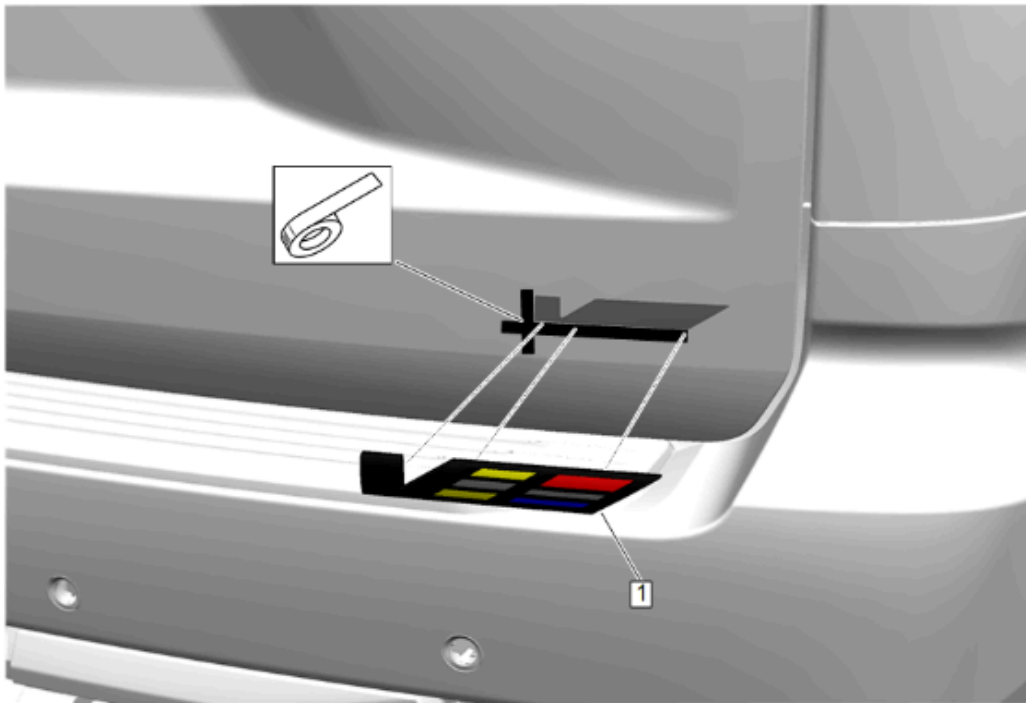
8.1. Liftgate emblem ESCALADE (1).



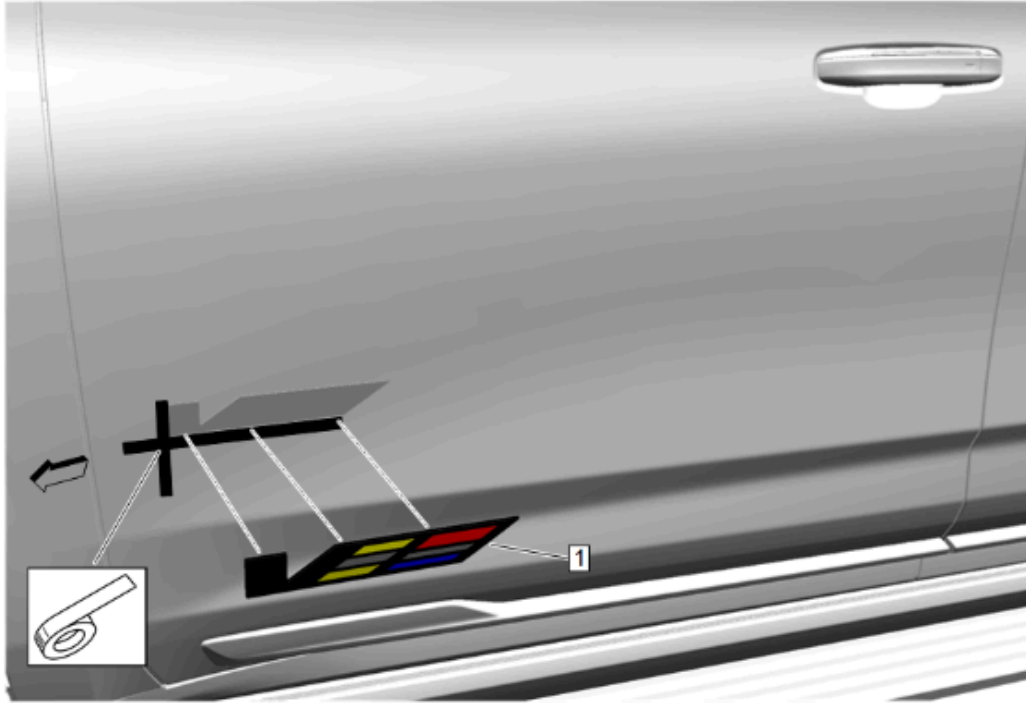
Note: Applies to MY 21 to 24 vehicles only. Does not apply to MY25 vehicles and beyond.
8.2. Liftgate emblem 600D (1).



8.3. Liftgate emblem 600 (1).



8.4. Liftgate emblem V SERIES (1).



8.5. Door emblem V SERIES (1).