

Document ID: 5569767

Outside Rearview Mirror Housing Cover Package Installation

Installation Instruction Part Number

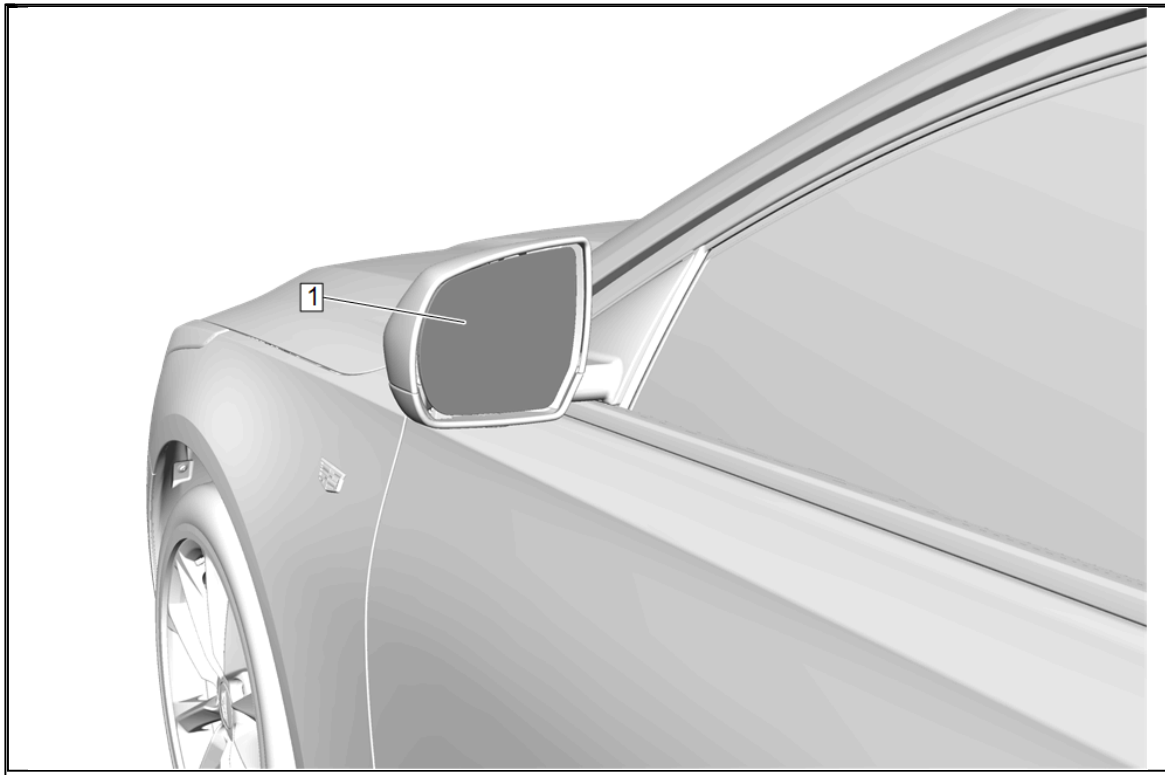
84809691

Kit Contents

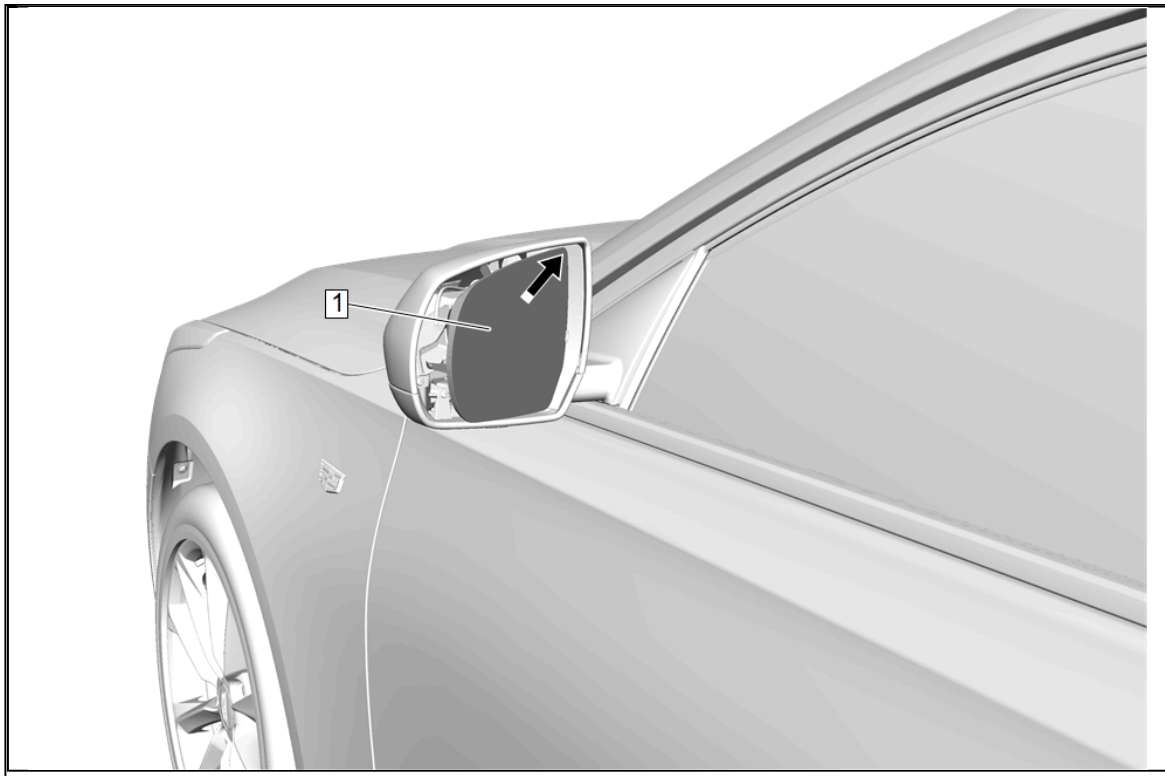
QTY.	Description
1	Mirror Housing Cover – LH
1	Mirror Housing Cover – RH
1	Installation Instructions

Removal Procedure

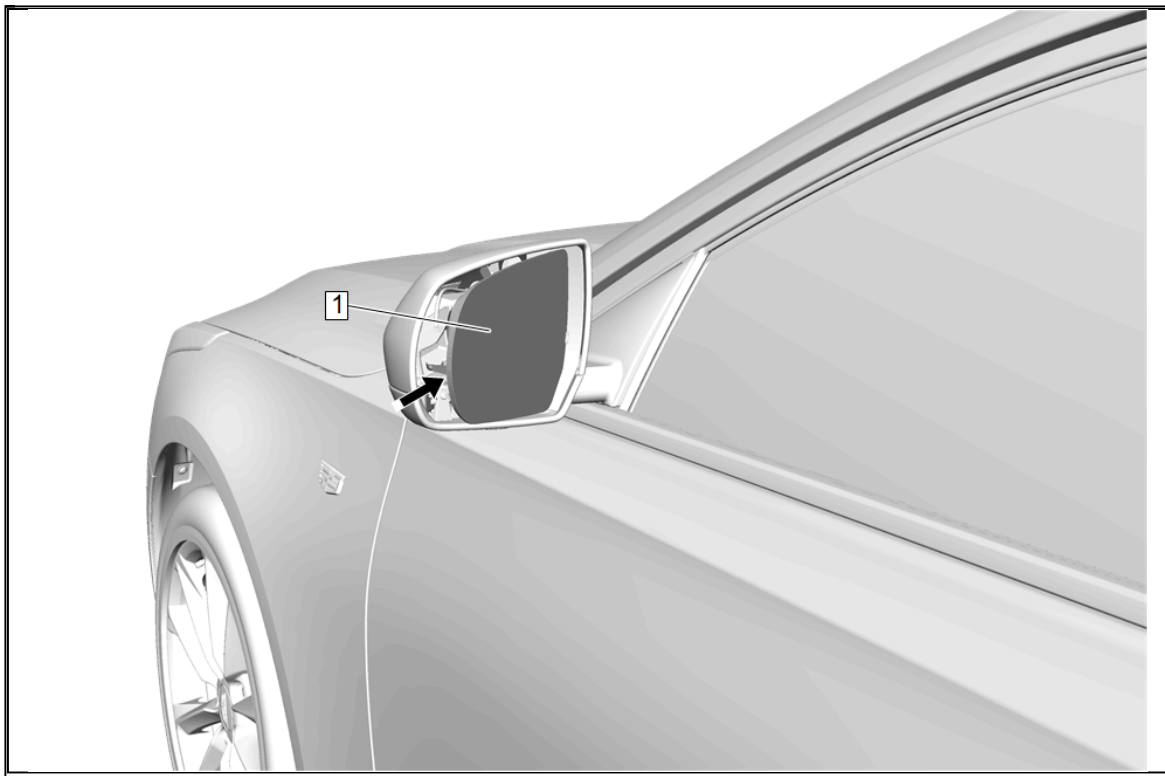
Warning: Refer to Glass and Sheet Metal Handling Warning.



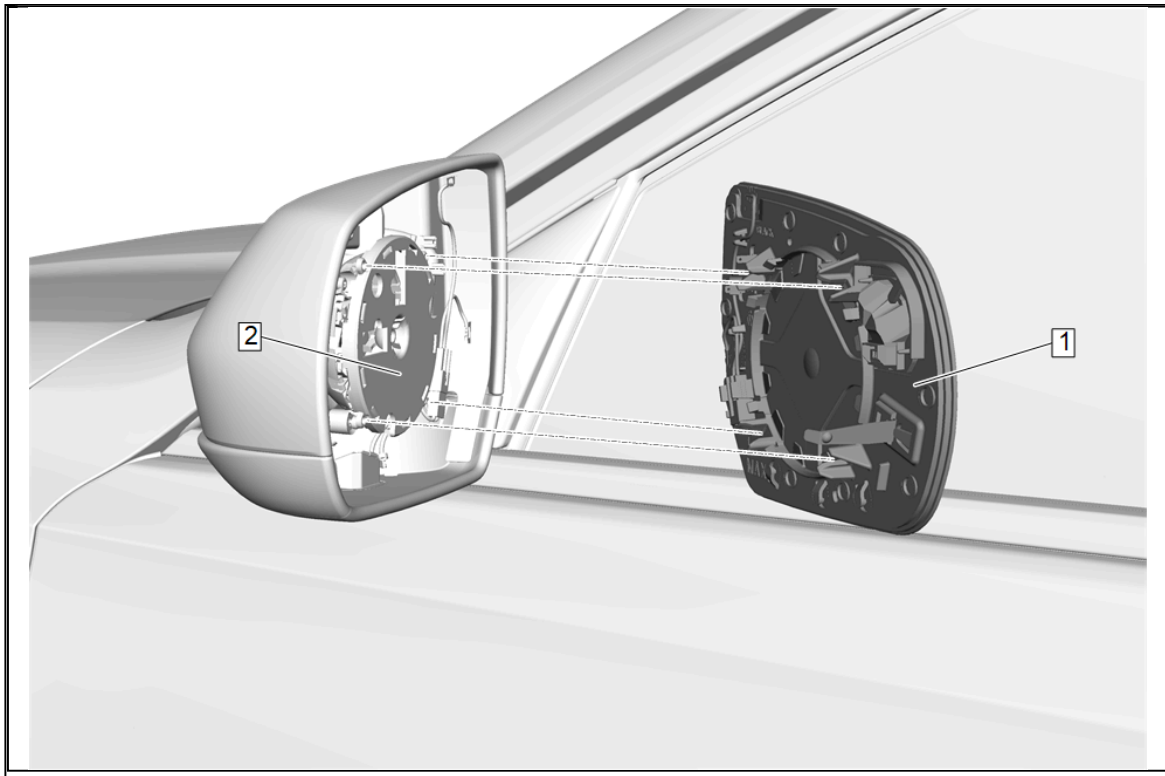
1. Apply masking tape over the outside rearview mirror glass (1).



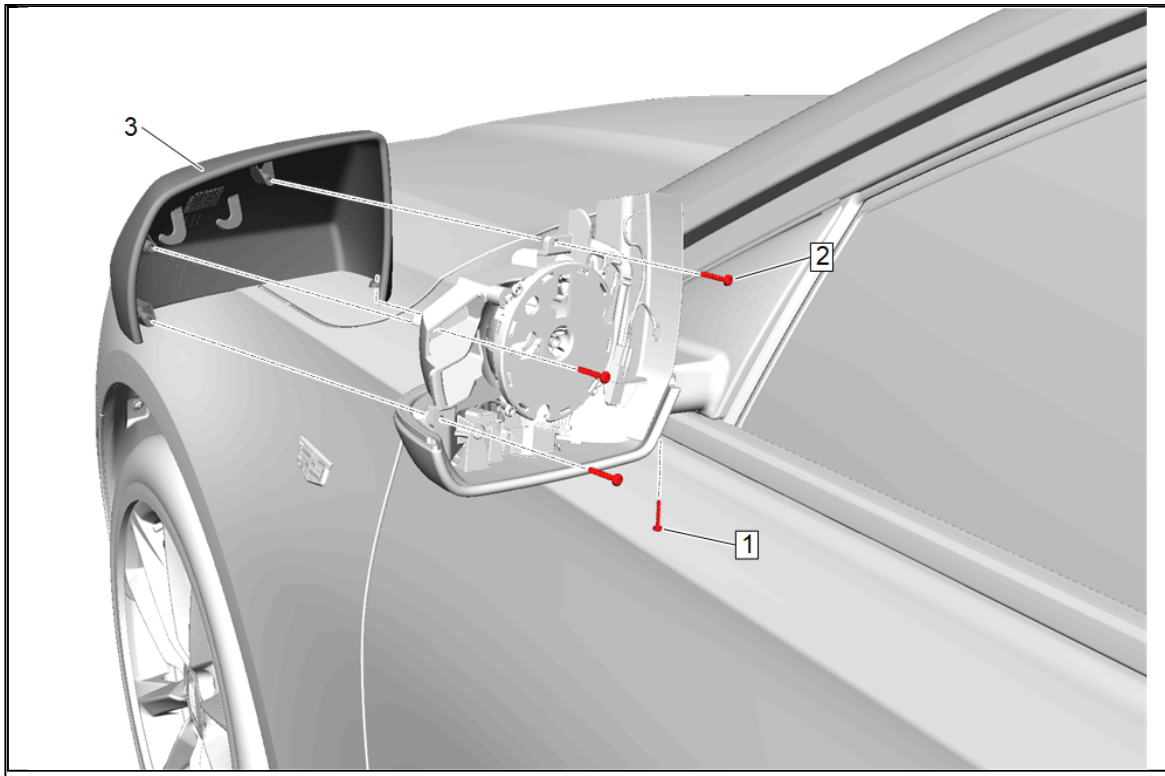
2. Apply pressure inward at the top of the outside rearview mirror glass (1) until full travel is reached.



3. Firmly grasp the outer bottom edge of the outside rearview mirror glass(1).

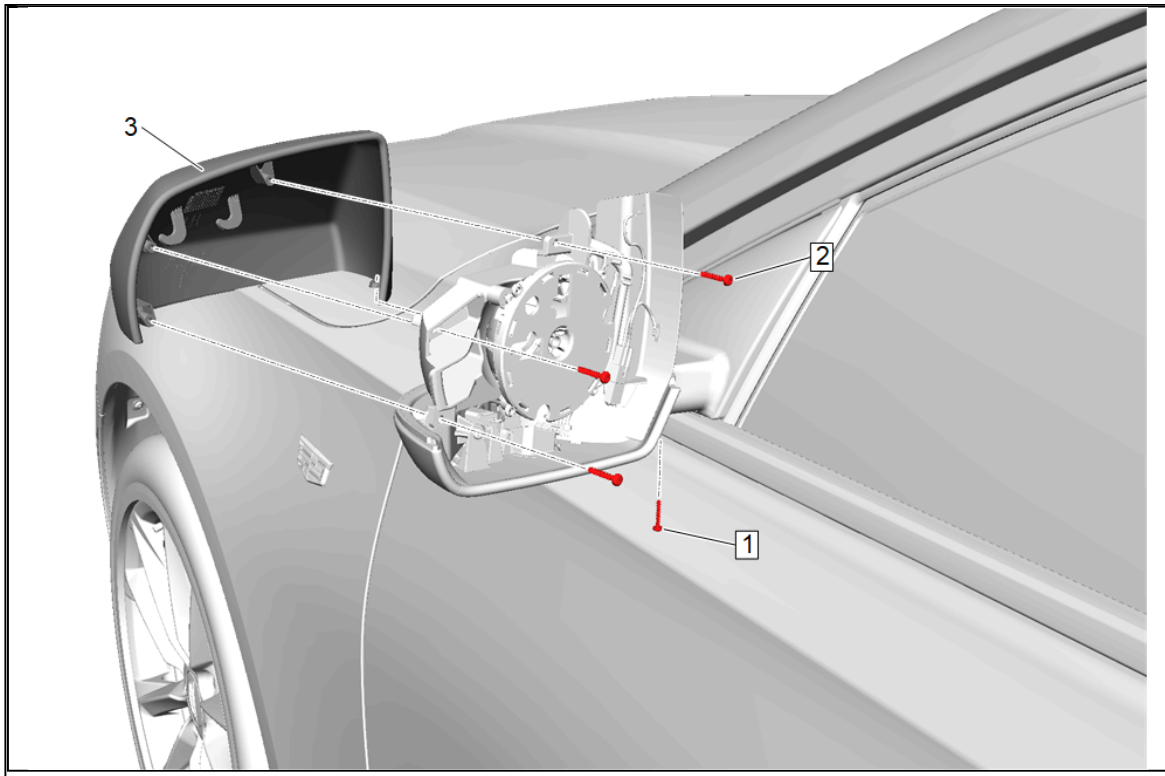


4. Retaining pressure on the outside rearview mirror glass (1), pull outward until the outside rearview mirror glass is released from the outside rearview mirror actuator (2).
5. Disconnect the electrical connectors.



6. Outside Rearview Mirror Housing Lower Cover Screw (1) » Remove
7. Outside Rearview Mirror Housing Upper Cover Screw (2) » Remove [3x]
8. Outside Rearview Mirror Housing Upper Cover (3) » Remove

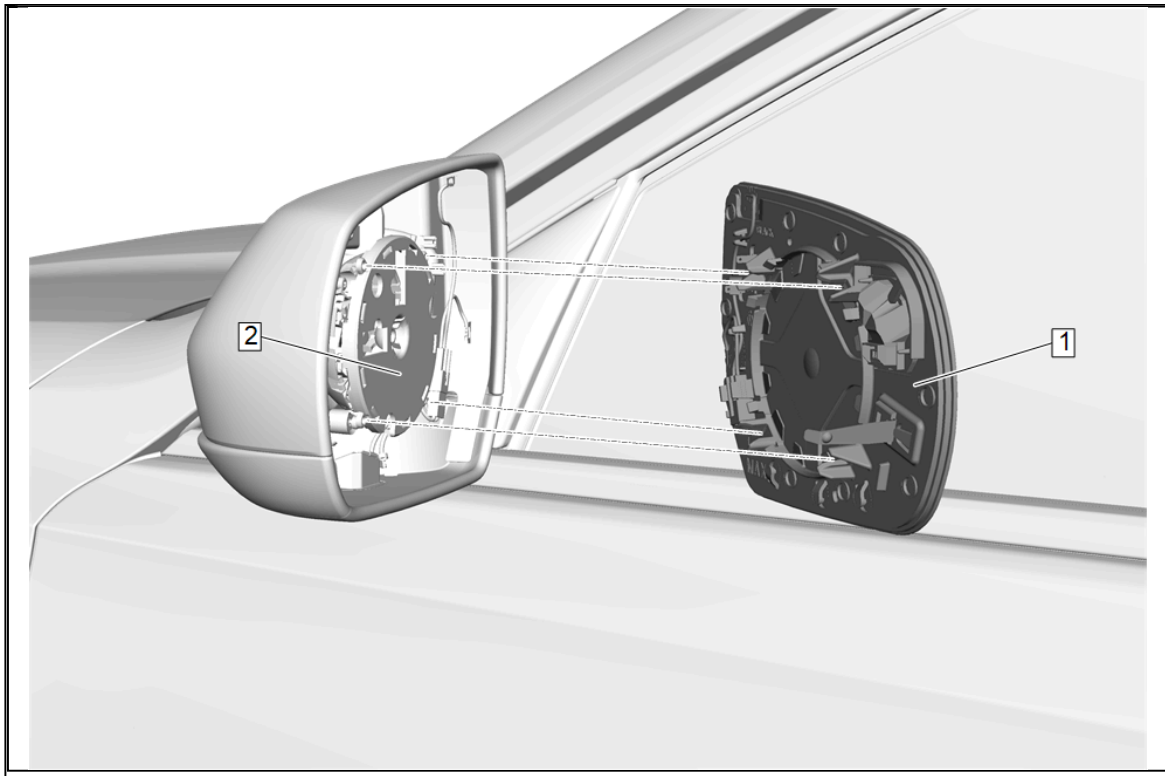
Installation Procedure



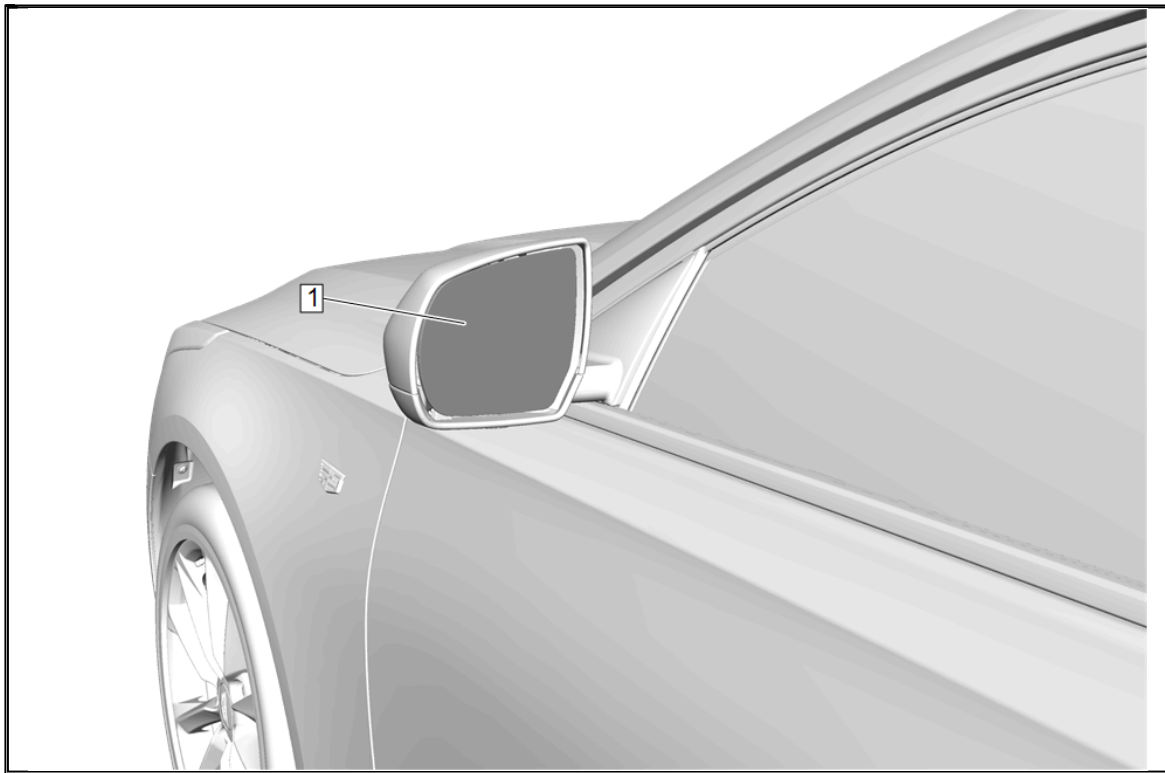
1. Outside Rearview Mirror Housing Upper Cover (3) » Install

Caution: Refer to [Fastener Caution](#).

2. Outside Rearview Mirror Housing Upper Cover Screw (2) » Install and tighten [3x] — [Fastener Specifications](#)
3. Outside Rearview Mirror Housing Lower Cover Screw (1) » Install and tighten — [Fastener Specifications](#)



4. Connect the electrical connectors.
5. Carefully align the outside rearview mirror glass (1) retainers with the outside rearview mirror actuator (2).



6. Place one hand on the back of the mirror housing and carefully apply pressure to outside rearview mirror glass (1) until outside rearview mirror glass retainers secure to the outside rearview mirror actuator (2).
7. Remove the masking tape from the outside rearview mirror glass (1).
8. Inspect the outside rearview mirror for proper operation.