

Document ID: 5569775

# Outside Rearview Mirror Package Installation

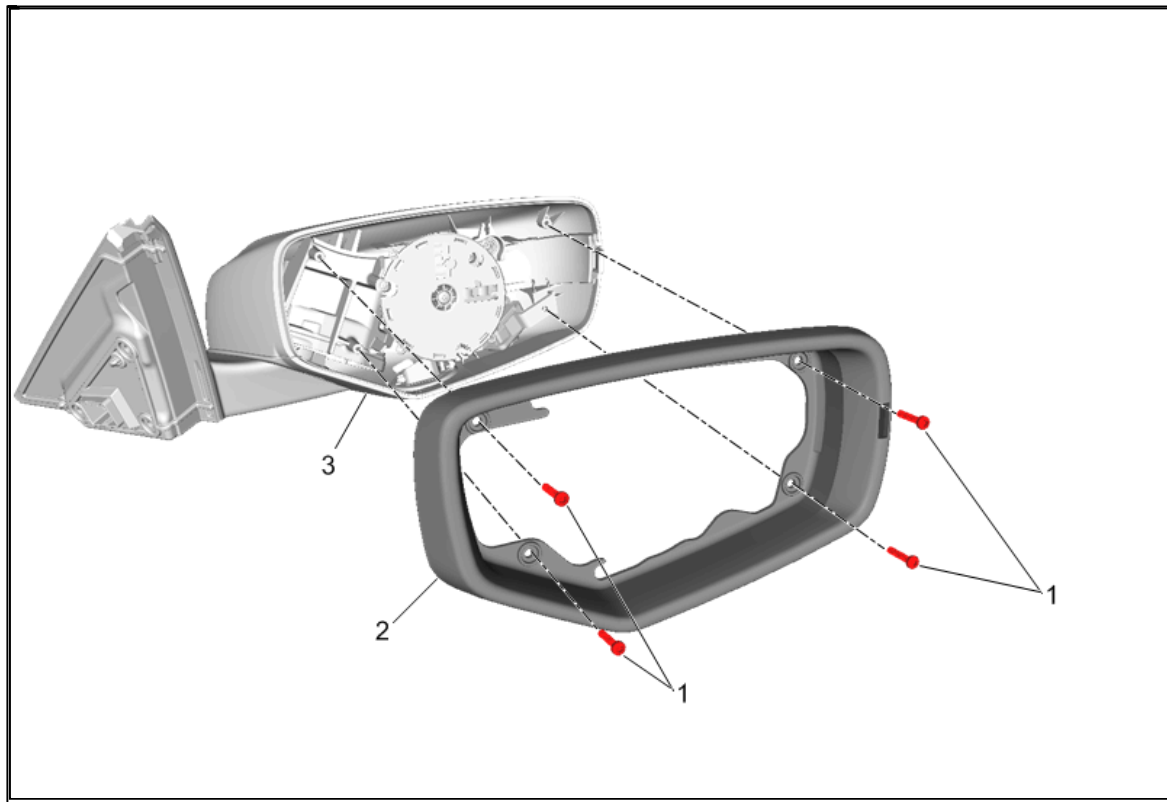
## Installation Instructions Part Number

84809696

### Kit Contents

Qty	Description
1	Outside Rearview Mirror
1	Installation Instructions

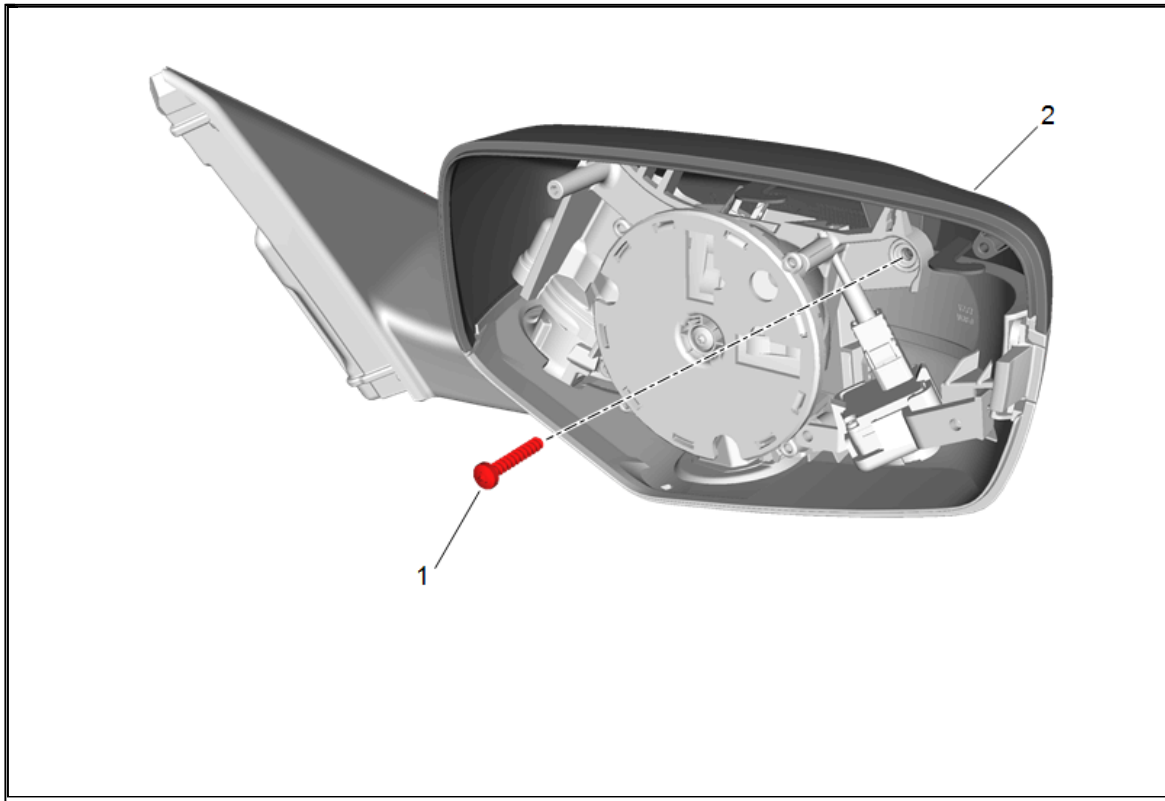
## Procedure



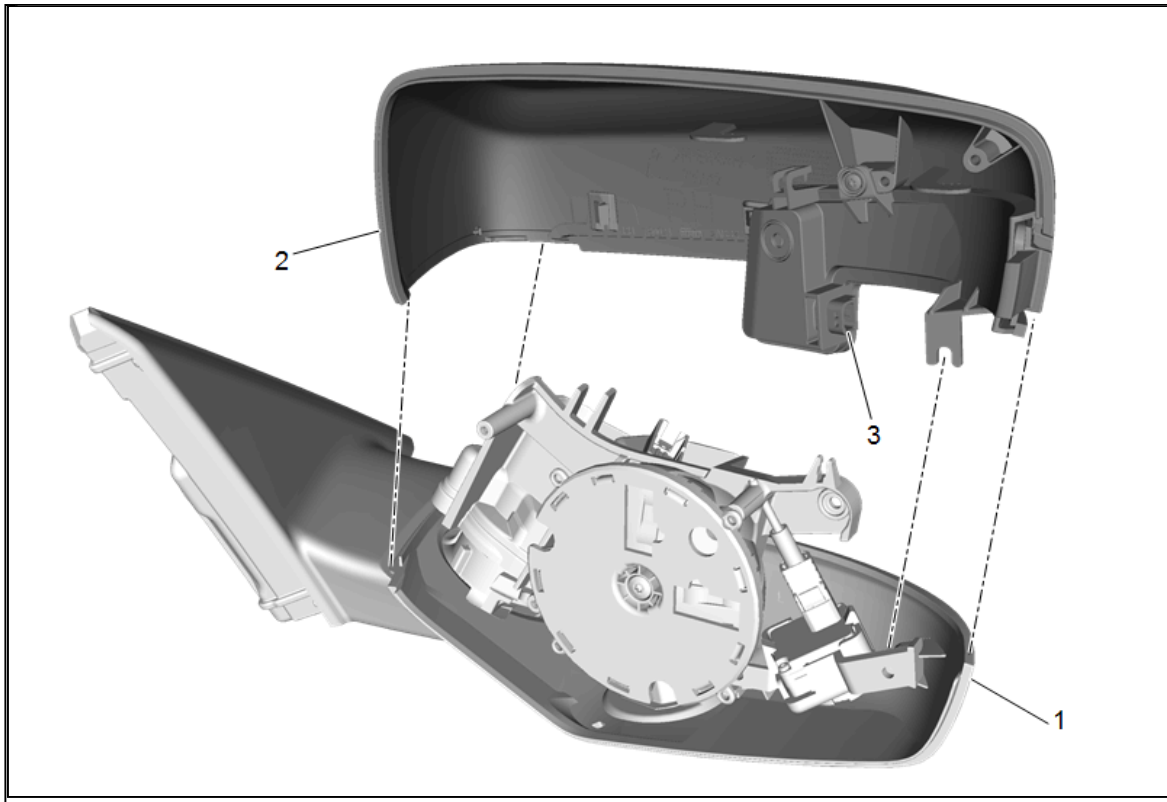
**Caution:** Use the correct fastener in the correct location. Replacement fasteners must be the correct part number for that application. Fasteners requiring replacement or fasteners requiring the use of thread locking compound or sealant are identified in the service procedure. Do not use paints, lubricants, or corrosion inhibitors on fasteners or fastener joint surfaces unless specified. These coatings affect fastener torque and joint clamping force and may damage the fastener. Use the correct

tightening sequence and specifications when installing fasteners in order to avoid damage to parts and systems.

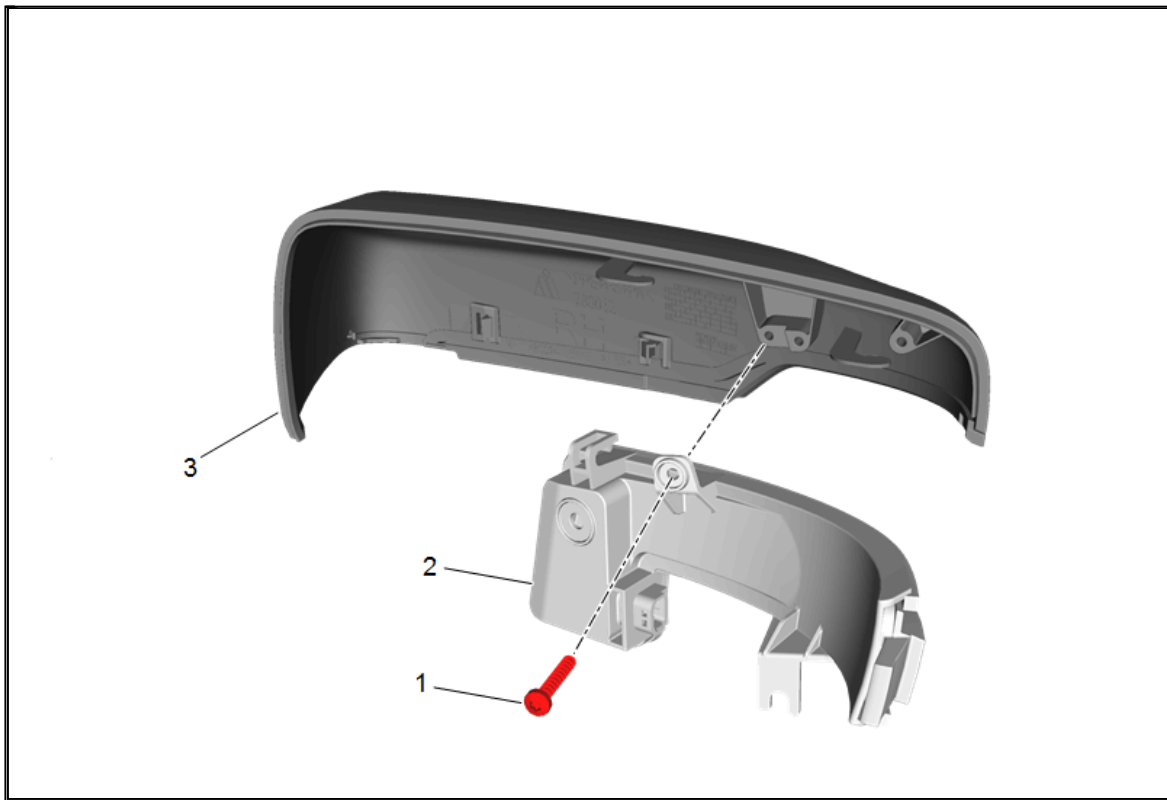
1. Remove and retain the housing bezel screws (1).
2. Remove the mirror housing bezel (2) from the mirror housing (3).



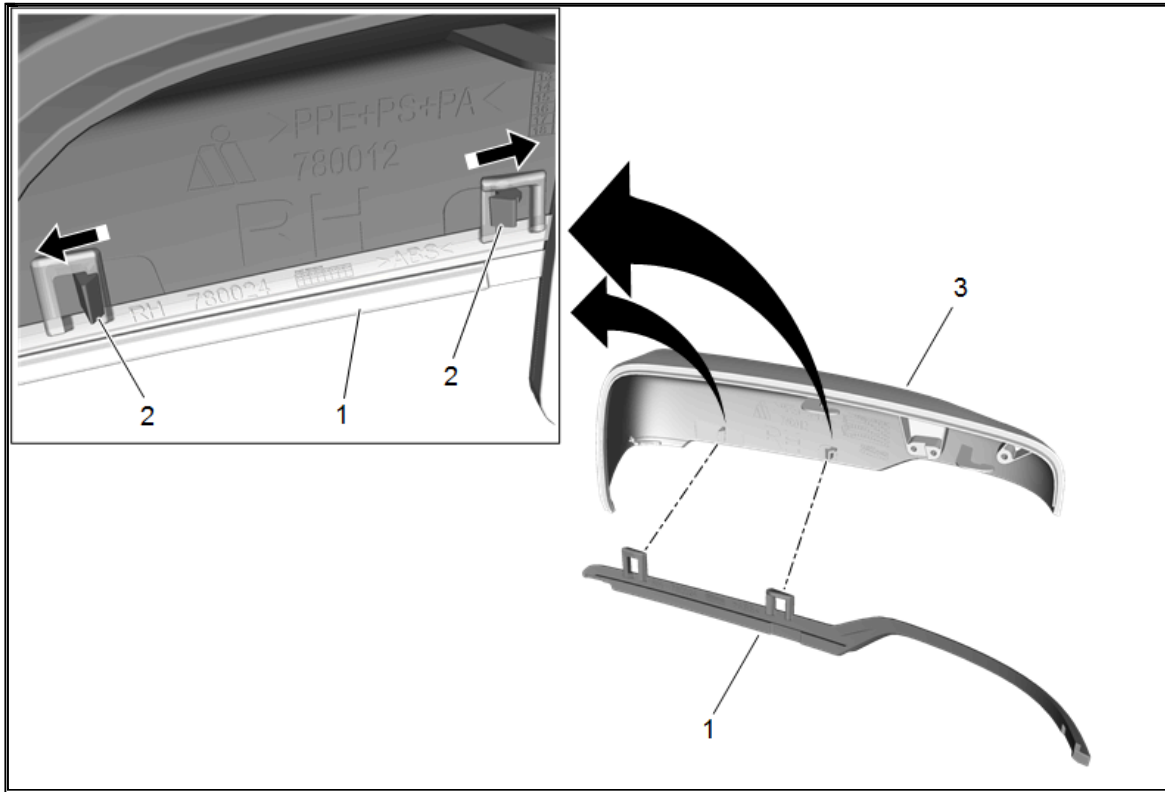
3. Remove and retain screw (1) securing cover (2) to mirror housing.



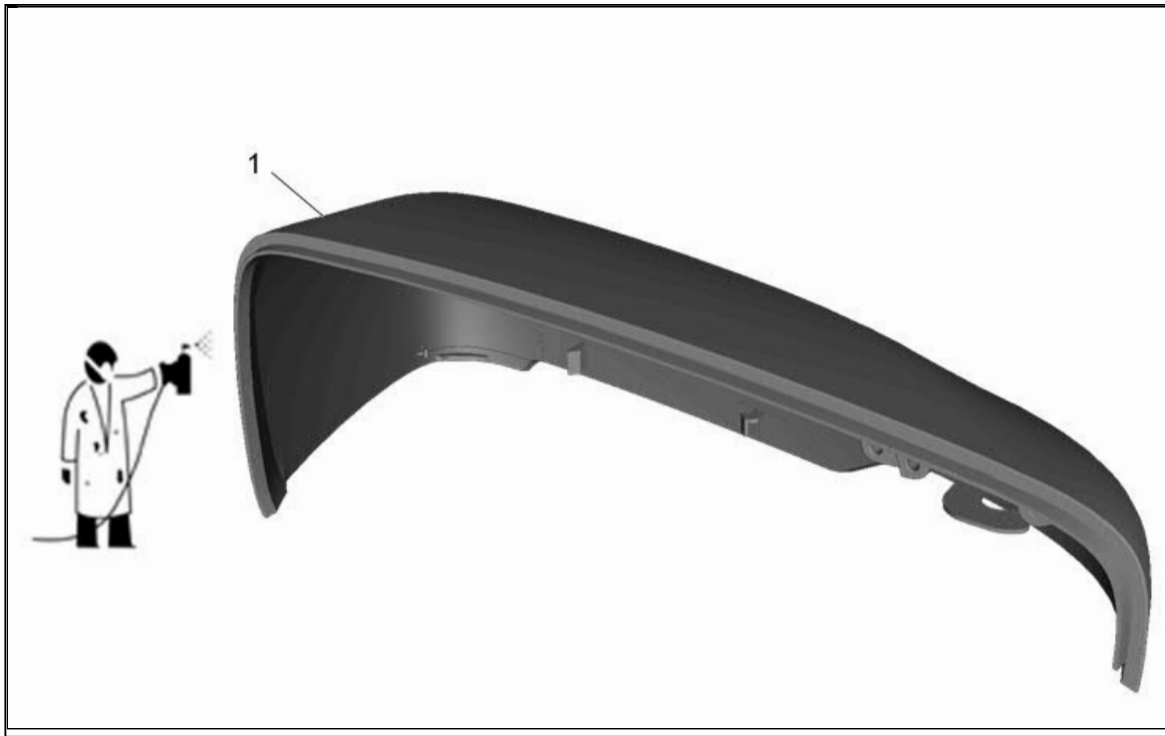
4. Lift up on housing cover (2) and disconnect connector (3) and remove from mirror housing (1).



5. Remove and retain screw (1) securing turn signal (2) to housing cover (3).
6. Remove turn signal (2) from housing cover (3).



7. Carefully depress the mirror housing cover retaining tabs (2) and remove the chrome molding (1) from the mirror housing cover (3).



8. Prep and refinish the mirror housing cover (1).
9. Reinstall previously removed components from mirror housing.
10. Remove production mirror assembly and install accessory mirror. Refer to [Outside Rearview Mirror Replacement](#) in Vehicle Service Manual.
11. Attach mirror glass to accessory mirror. Refer to [Outside Rearview Mirror Glass Replacement](#) in Vehicle Service Manual.