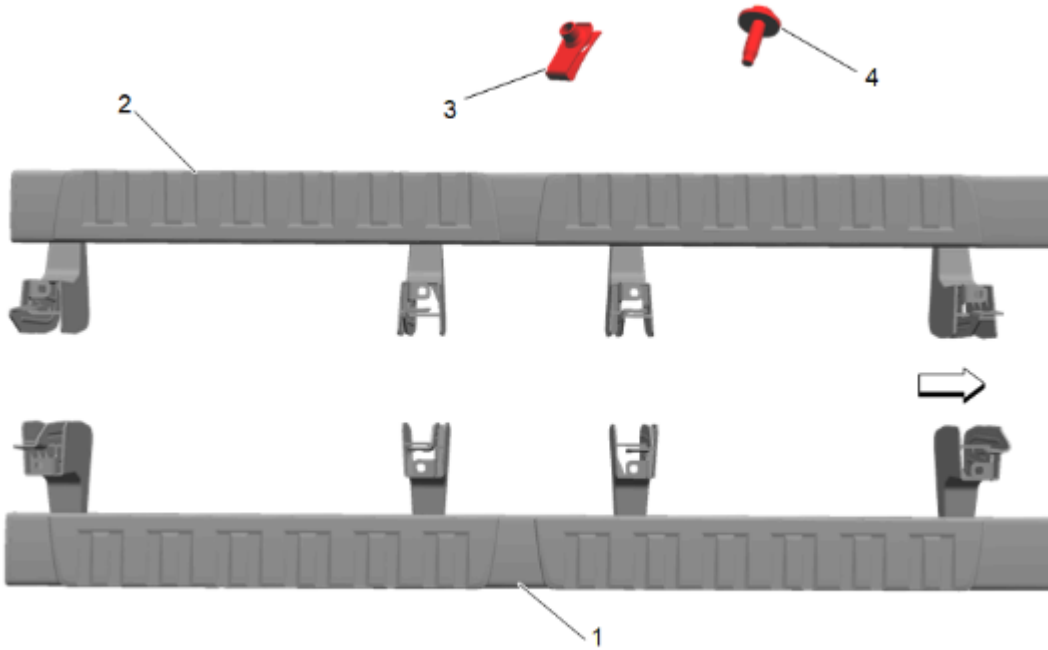


Assist Step Kit Installation (Instruction ID: 84844349)

[Installation Instructions Part Number](#)

84844349

© 2024 General Motors. All rights reserved.



Kit Contents

Item	Description	Qty:
1	Assist Step Assembly Right Side	1
2	Assist Step Assembly Left Side	1
3	M8 U-Nut (Part of Attachment PKG)	16
4	M8 Bolt (Part of Attachment PKG)	16
—	Instruction Sheet	1

[Torque Table](#)

8mm Hardware torque to 25 Y (18 lb ft)

[Tools Required](#)

- Torque Wrench
- 13mm Socket

- 3/8" drive Ratchet
- 3" 3/8" drive extension
- Plastic Fastener Removal Tool

Procedure

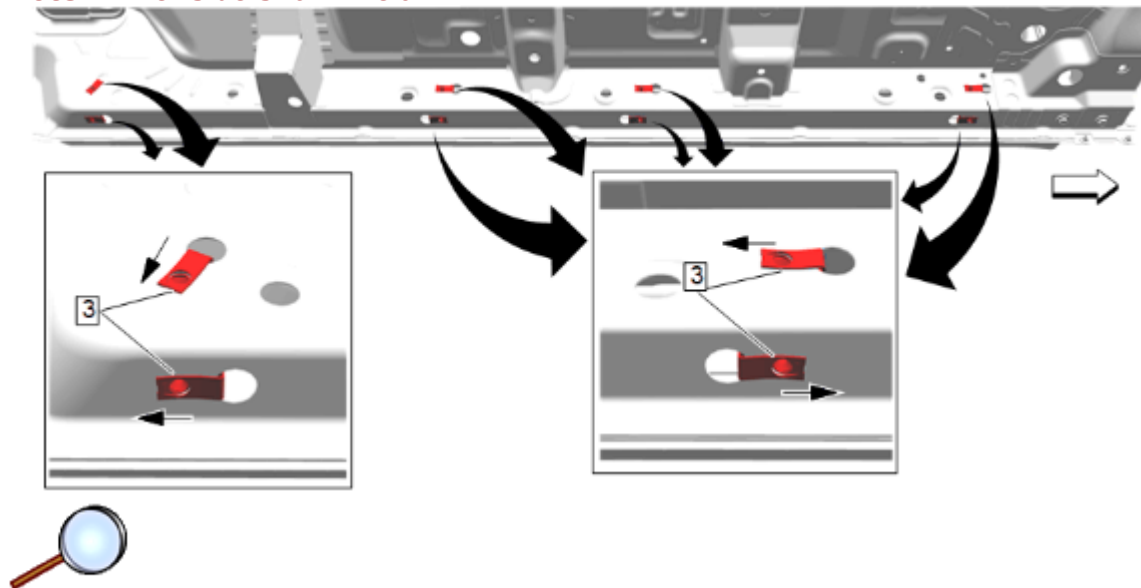
Note: Read entire instruction sheet thoroughly before starting.

Note: Determine left hand (clear bag) and right hand (blue bag) assist steps.

Caution: Use the correct fastener in the correct location. Replacement fasteners must be the correct part number for that application. Fasteners requiring replacement or fasteners requiring the use of thread locking compound or sealant are identified in the service procedure. Do not use paints, lubricants, or corrosion inhibitors on fasteners or fastener joint surfaces unless specified. These coatings affect fastener torque and joint clamping force and may damage the fastener. Use the correct tightening sequence and specifications when installing fasteners in order to avoid damage to parts and systems.

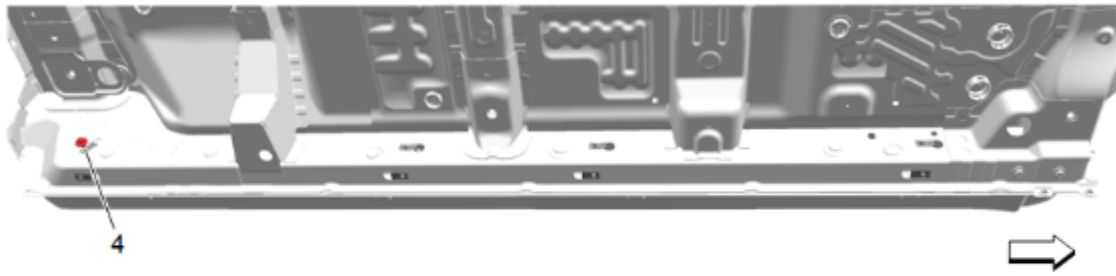
1. Raise and support the vehicle. Refer to [Lifting and Jacking the Vehicle](#) in Vehicle Service Manual.

Note: Driver Side Shown Below



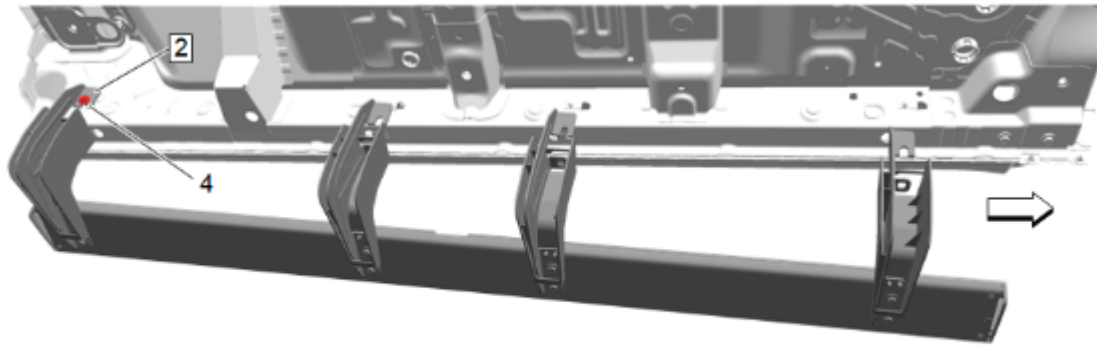
2. Install the eight - U-nuts (3) into existing holes on rocker inner panel. Refer to graphic for locations and orientation of U-nuts. Install the U-nuts with the threads inside the rocker inner panel.

Note: Some vehicles may have hole plugs that will need to be removed and discarded to install the U-nuts.

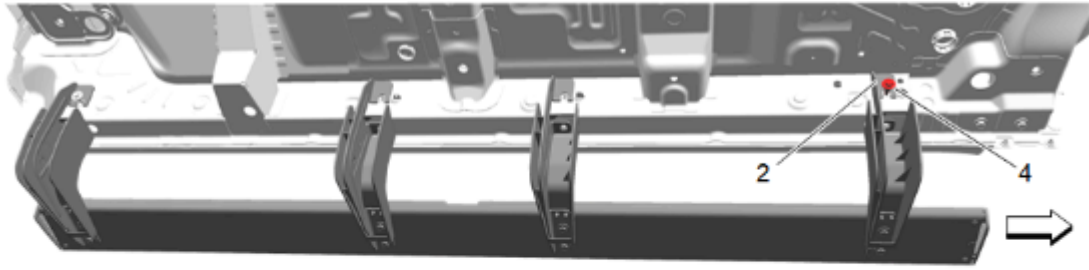


3. Loosely install the rear most horizontal M8 bolt (4) into rocker inner.

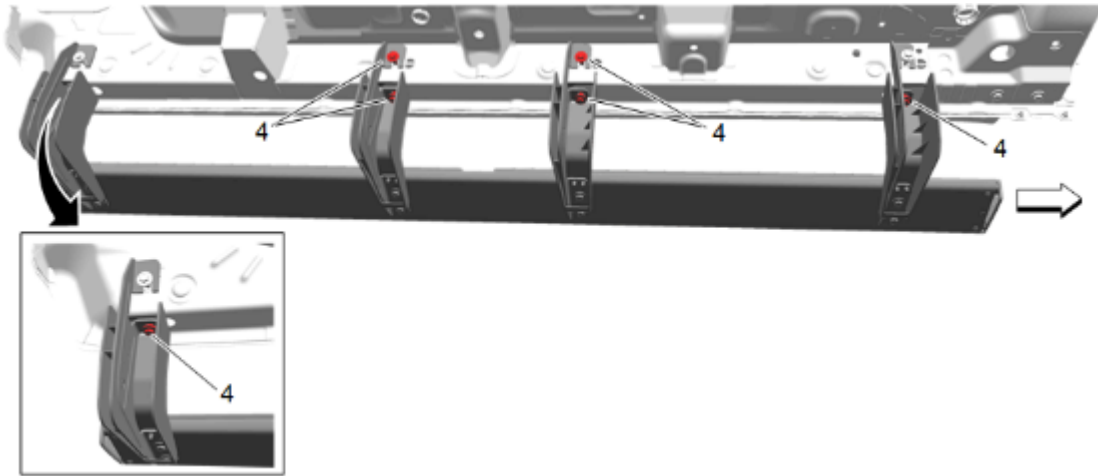
Note: Make sure to have an additional M8 bolt on hand for the next steps.



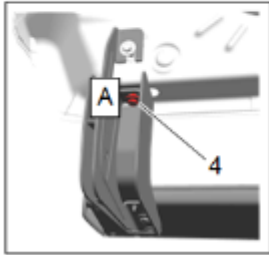
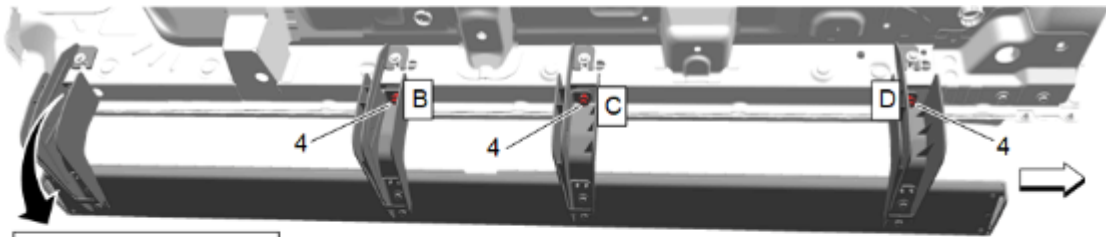
4. With the aid of an assistant, lift and hang the assist step (2) from the rear horizontal M8 bolt (4).



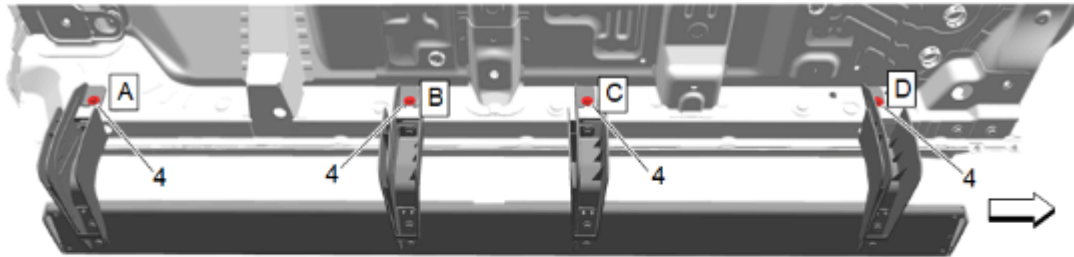
5. Hold the assist step (2) up and loosely install the front most horizontal M8 bolt (4).



6. Loosely install the remaining two horizontal and four vertical M8 bolts (4).



7. Tighten all vertical M8 bolts (4) in lower rocker panel to 25 Y (18 lb ft) in the sequence as follows: (D), (A), (B) and (C).



8. Tighten all horizontal M8 bolts (4) in upper rocker panel to 25 Y (18 lb ft) in the sequence as follows: (D), (A), (B) and (C).
9. Repeat steps 1 through 8 for Step Assembly RH (1).
10. Verify correct torque on all hardware.
11. Lower the vehicle.