

Document ID: 5432501

Body Emblem Package Installation

Installation Instructions Part Number

84856856

Kit Contents

Qty	Description
1	Emblem Assembly GMC – Front
1	Emblem Assembly GMC – Liftgate
1	Alcohol Wipe
1	Installation Instructions

Tools Required

Masking Tape

Scissors

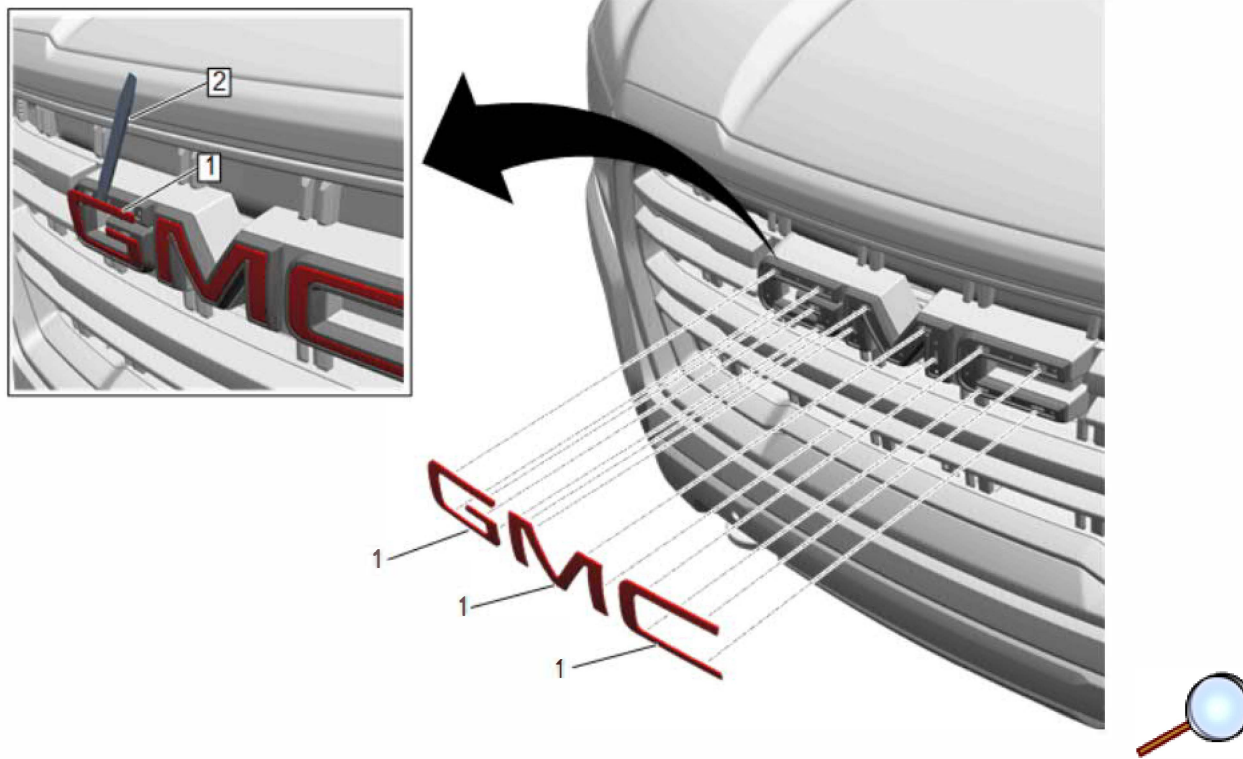
Plastic Flat-Bladed Tool

Procedure

Front Black GMC Emblem Replacement

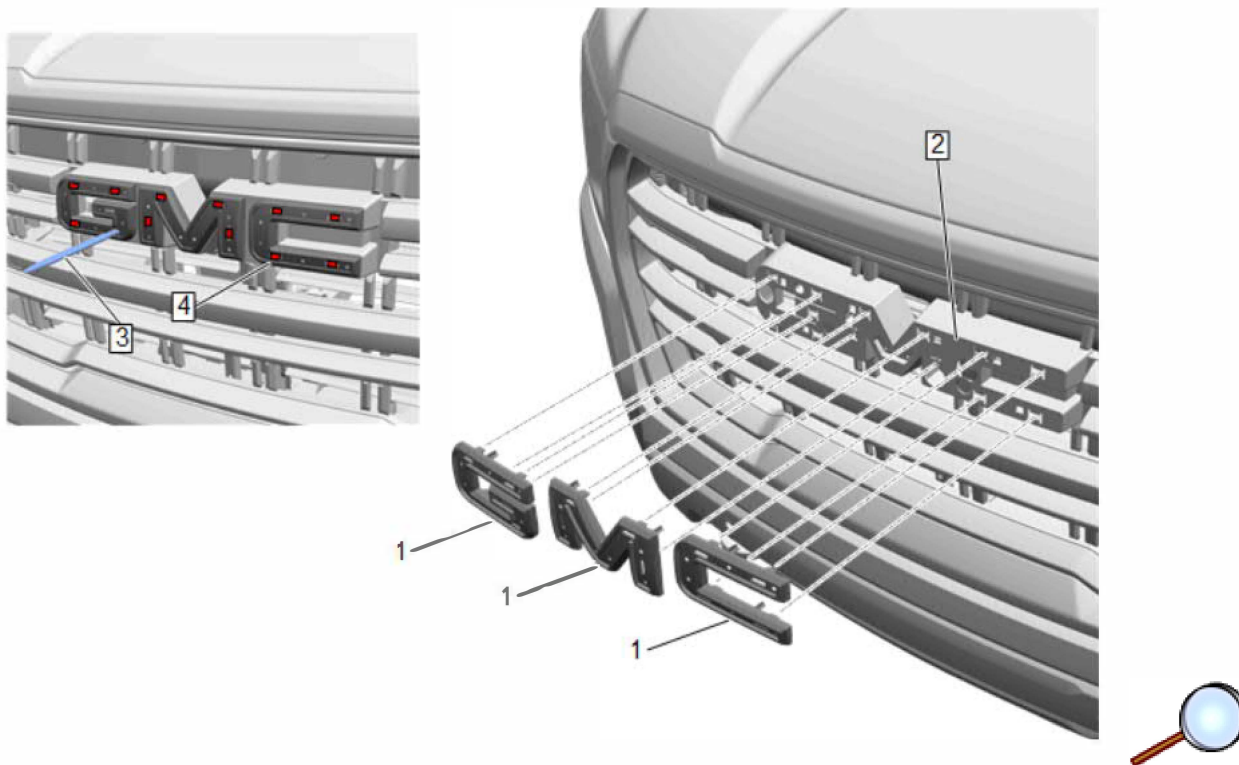
Note: Read all instructions before performing procedure.

1. Inspect kit to verify all parts are included.
2. Turn off the vehicle.

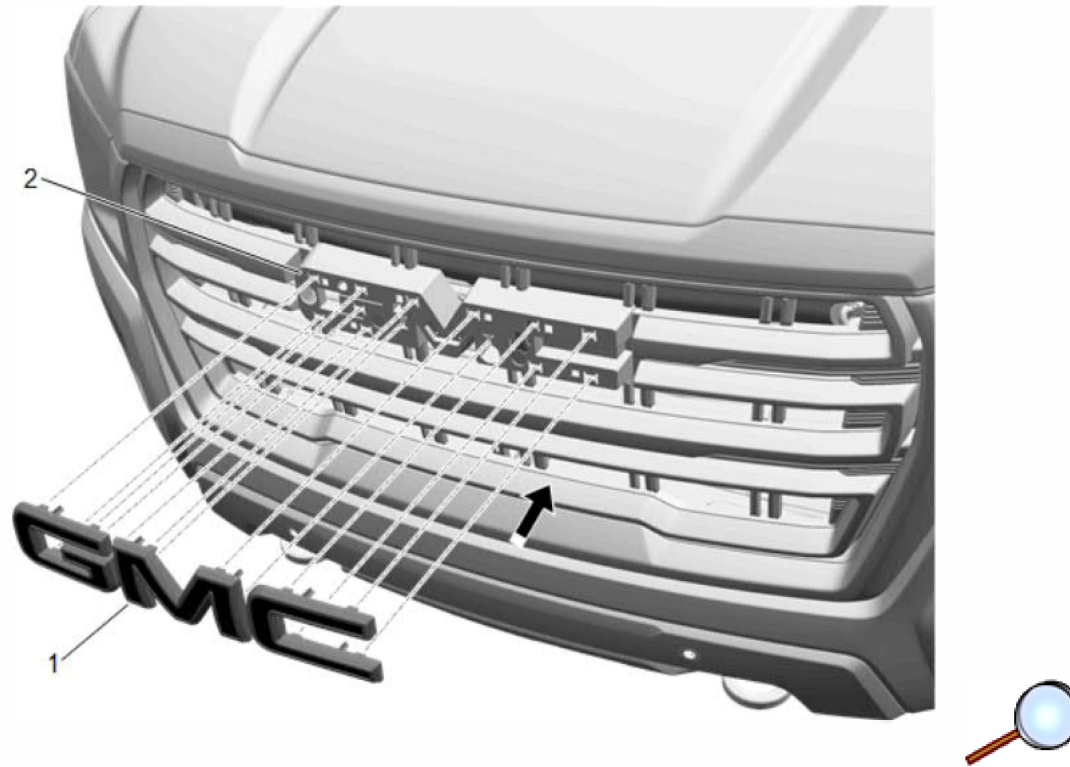


Note: Red emblems will be damaged and not suitable for re-use.

3. Using a suitable flat-bladed tool (2), carefully remove the red emblem insert (1) from each letter.



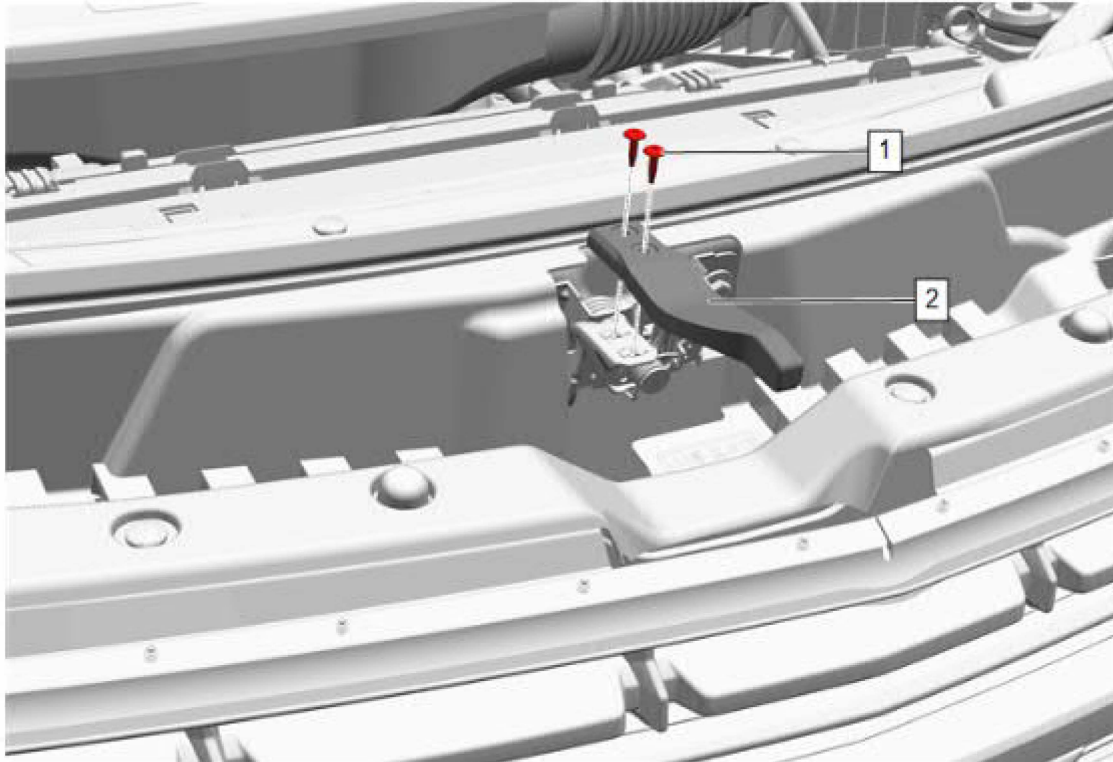
4. Using a suitable flat bladed tool (3), carefully release the retention clips (4) and remove each letter (1) from grille (2). Be careful to avoid damage to the retaining tabs in the grille (2), as this may result in loose fit of the new emblems.



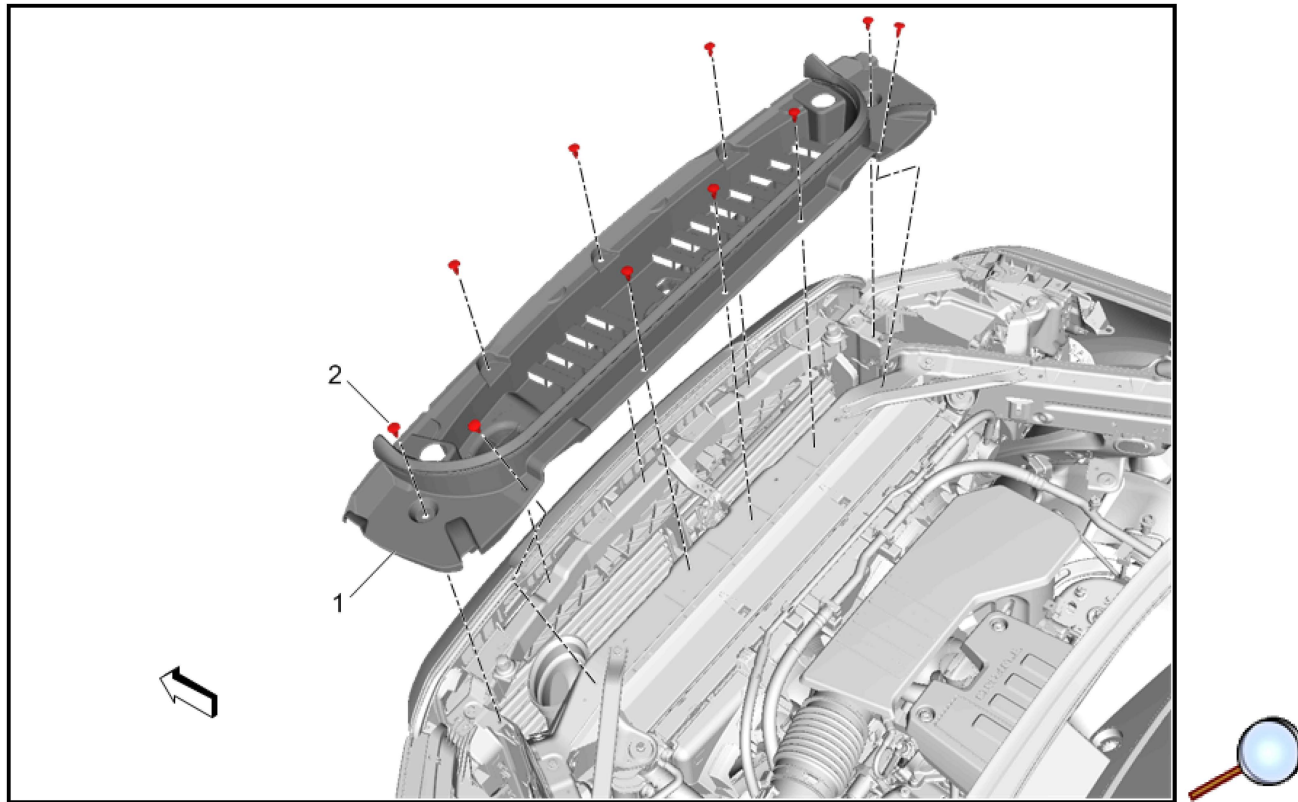
5. Accurately position the GMC emblem (1) to grille (2) using the locating pins.
6. Install the new emblem, applying enough evenly distributed pressure to engage the locking/retention tabs. Make sure you hear the click sounds of the tabs engaging.



7. Verify that the emblem is fully seated and securely attached to the grille.
8. If grille emblem is loose, extra steps may need to be taken to make sure that emblem tabs are fully engaged.

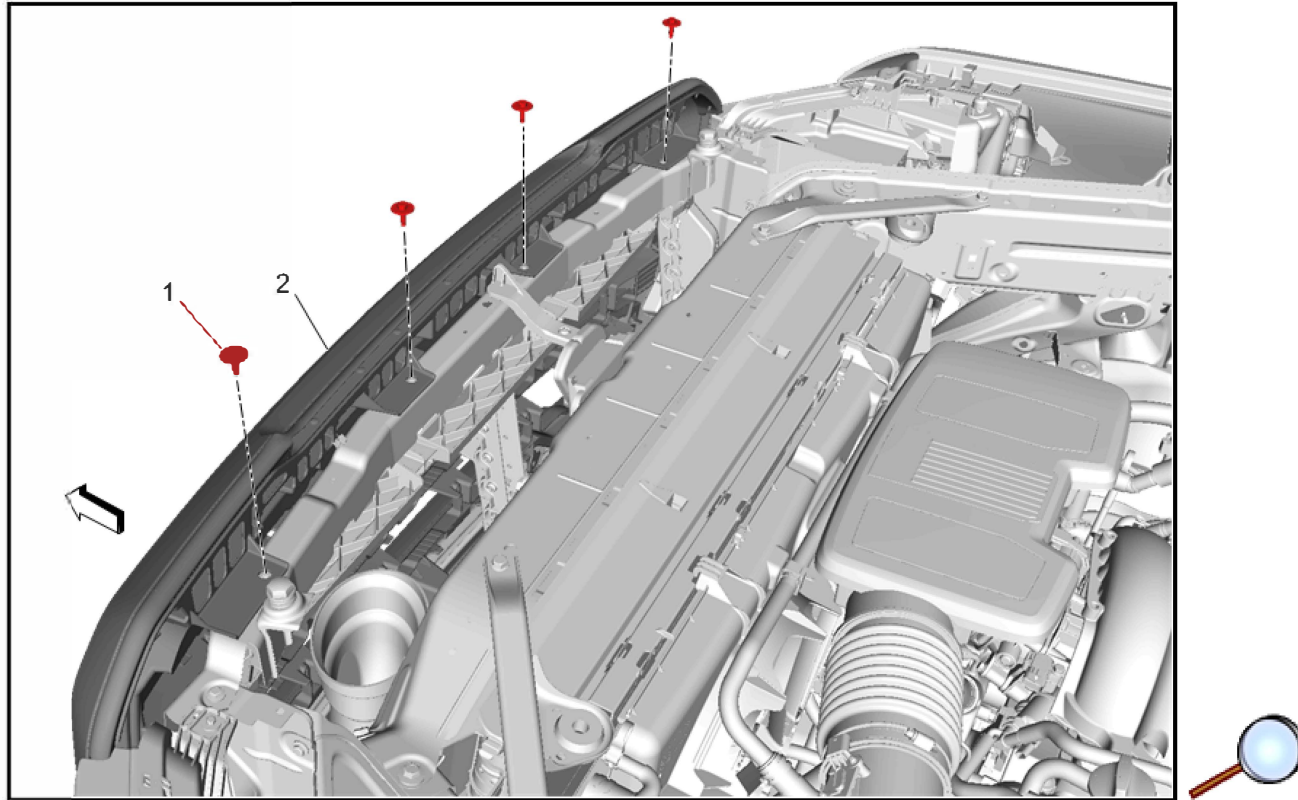


- 8.1. Hood Latch Actuator Bolt (1) » Remove [2x]
- 8.2. Hood Secondary Latch Release Handle (2) » Remove

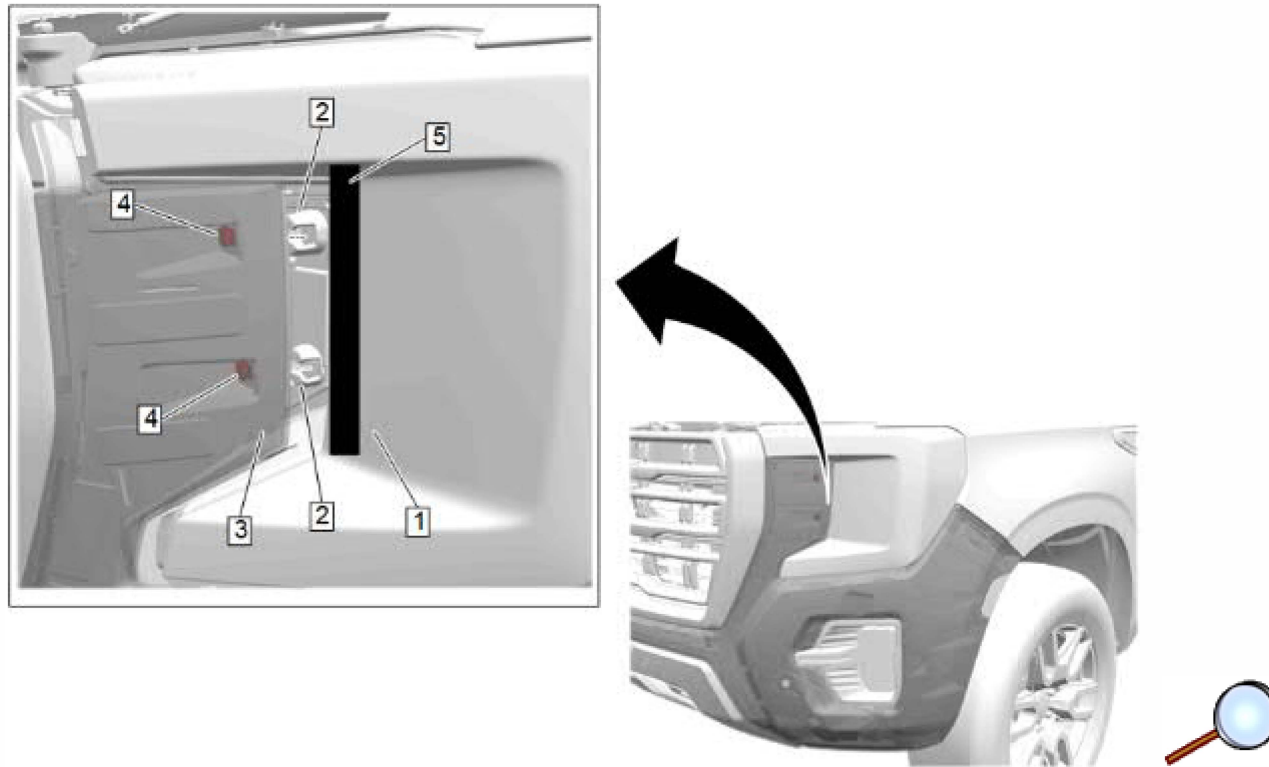


8.3. Remove and retain the front compartment front sight shield push-in retainers (2).

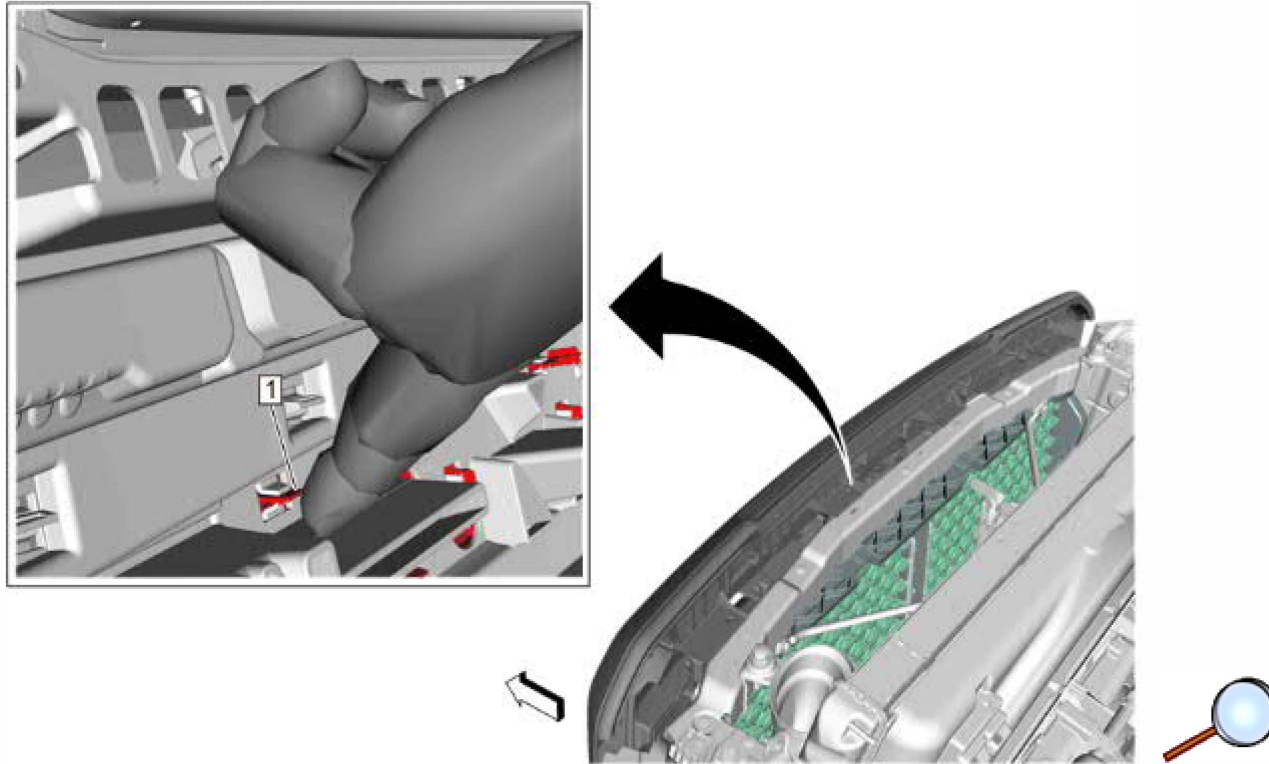
8.4. Remove the front compartment front sight shield (1).



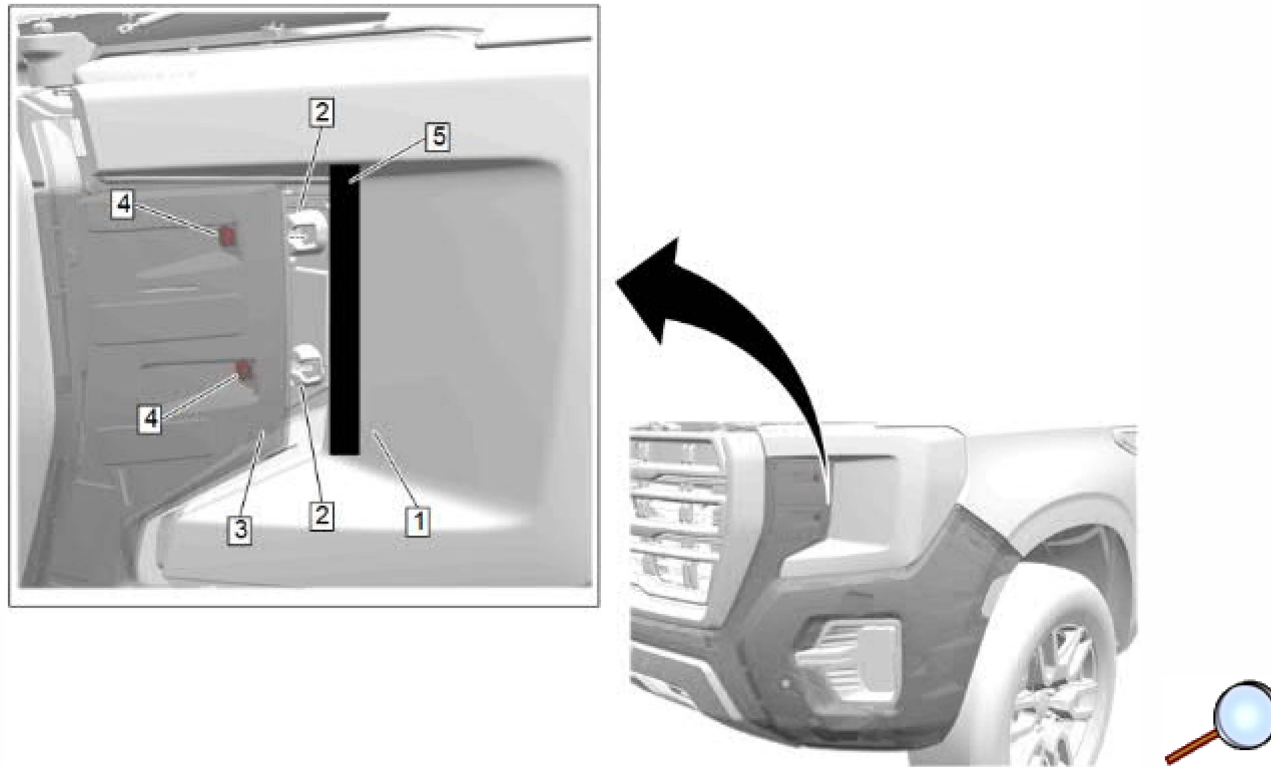
8.5. Remove and retain the upper bolts (1) from the front grille (2).



- 8.6. Apply a layer of masking tape (5) to the inside of the headlamp (1) to prevent damaging / scratching the headlamp lens.
- 8.7. Starting at the inside of the headlamp, remove the upper part of front bumper fascia (3) by disengaging the two W-clips (4) from retainers (2). Repeat steps 8.6 and 8.7 for opposite side.

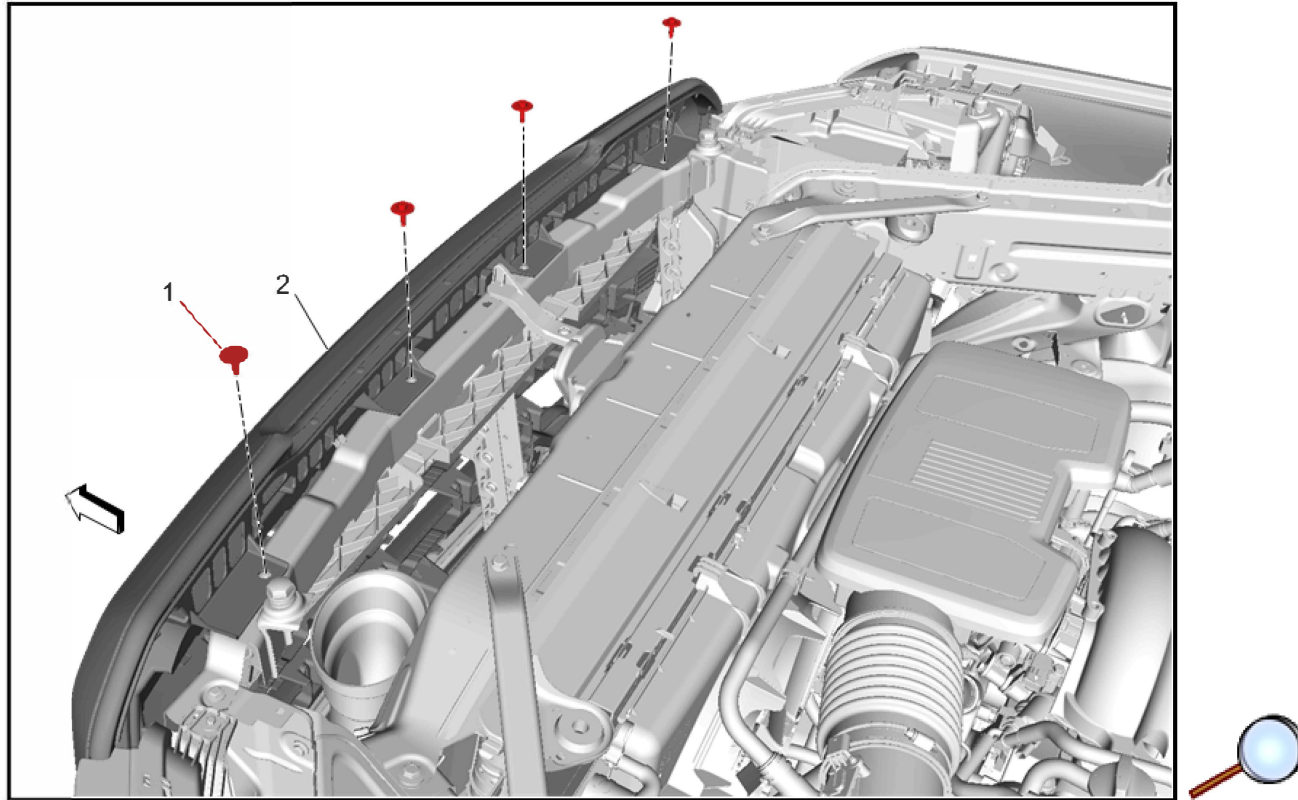


- 8.8. Make a gap between the front grille and aero shutters by slowly pulling front grille forward and reaching down with hand to the emblem tabs (1) one by one and gently move any non-engaged tab up/down or left/right, depending on tab orientation, until the tab is fully seated or unless you hear an audible click sound of tab being engaged.



8.9. Reinstall the front bumper fascia (3) by engaging the two W-clips (4) to the retainers (2).

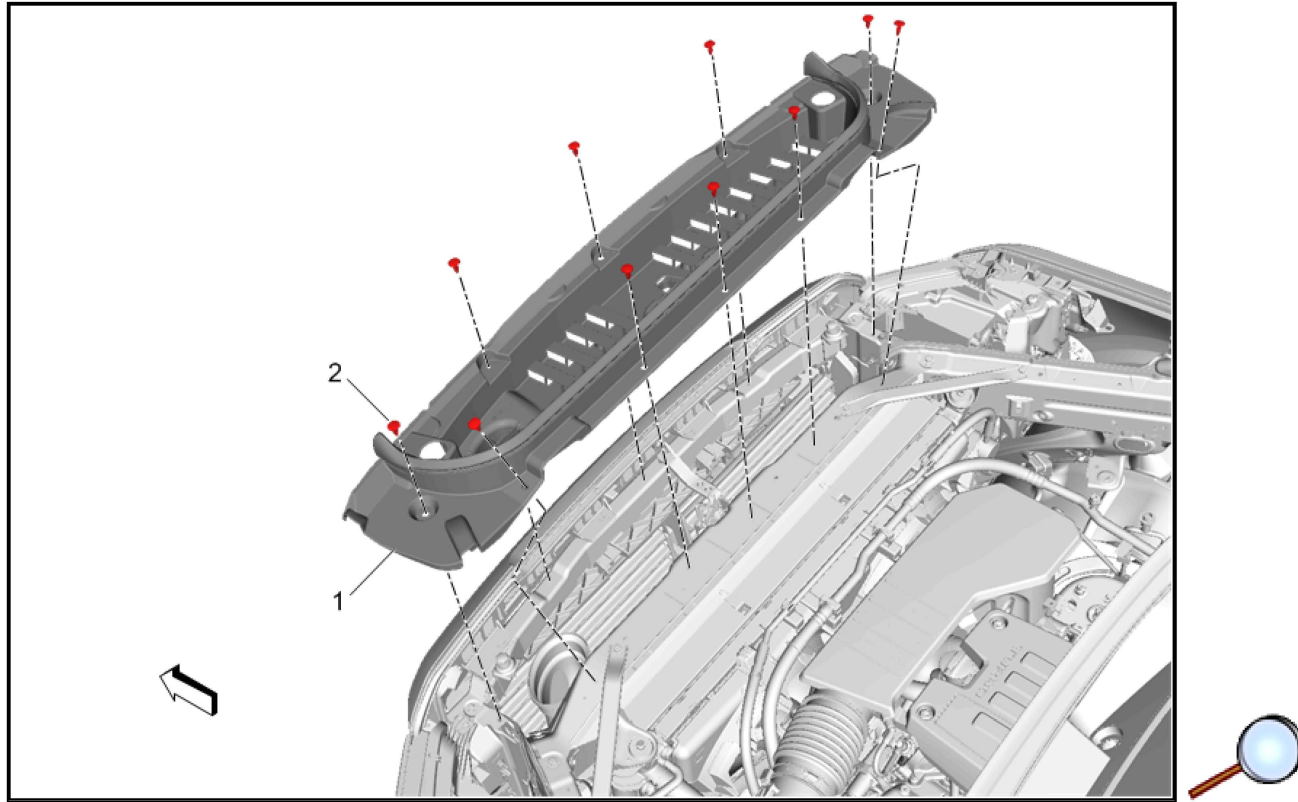
8.10. Remove masking tape (5) from the inside of the headlamp (1). Repeat steps 8.9 and 8.10 for opposite side



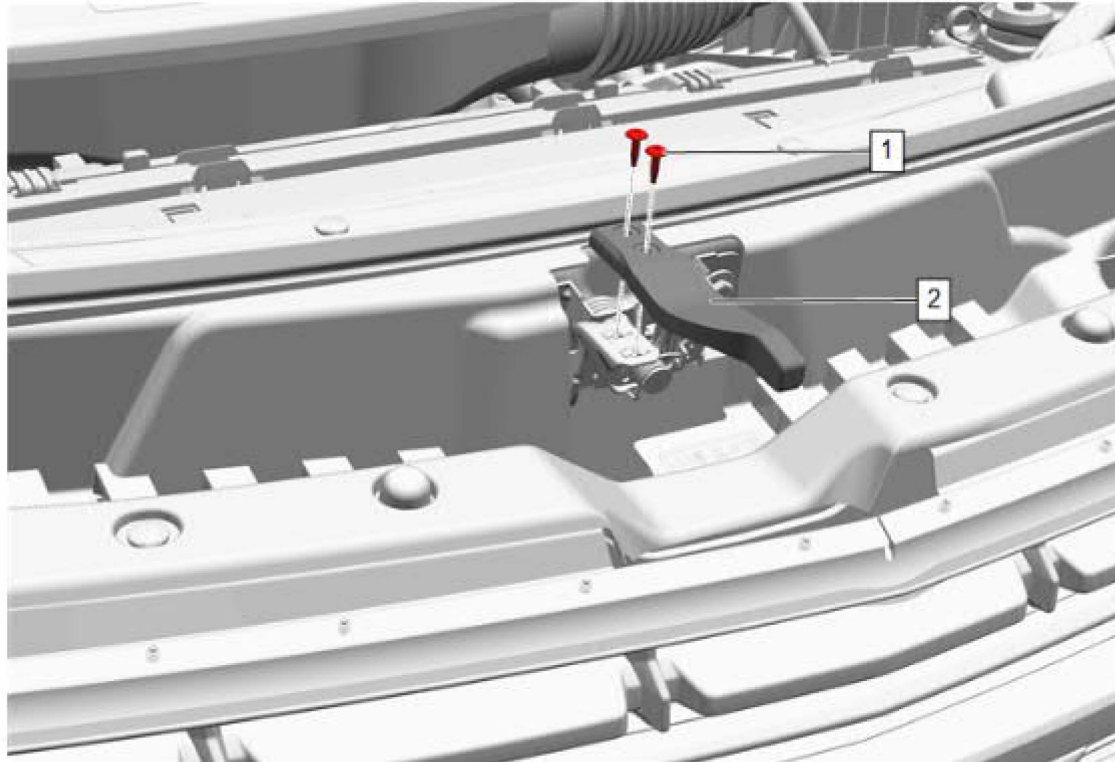
8.11. Re-install the previously retained upper bolts (1) to the front grille (2).

Tighten

Tighten the bolts to 7 N.m (62 lb in).



8.12. Re-install the front compartment front sight shield (1) and the previously retained front compartment front sight shield push-in retainers (2).

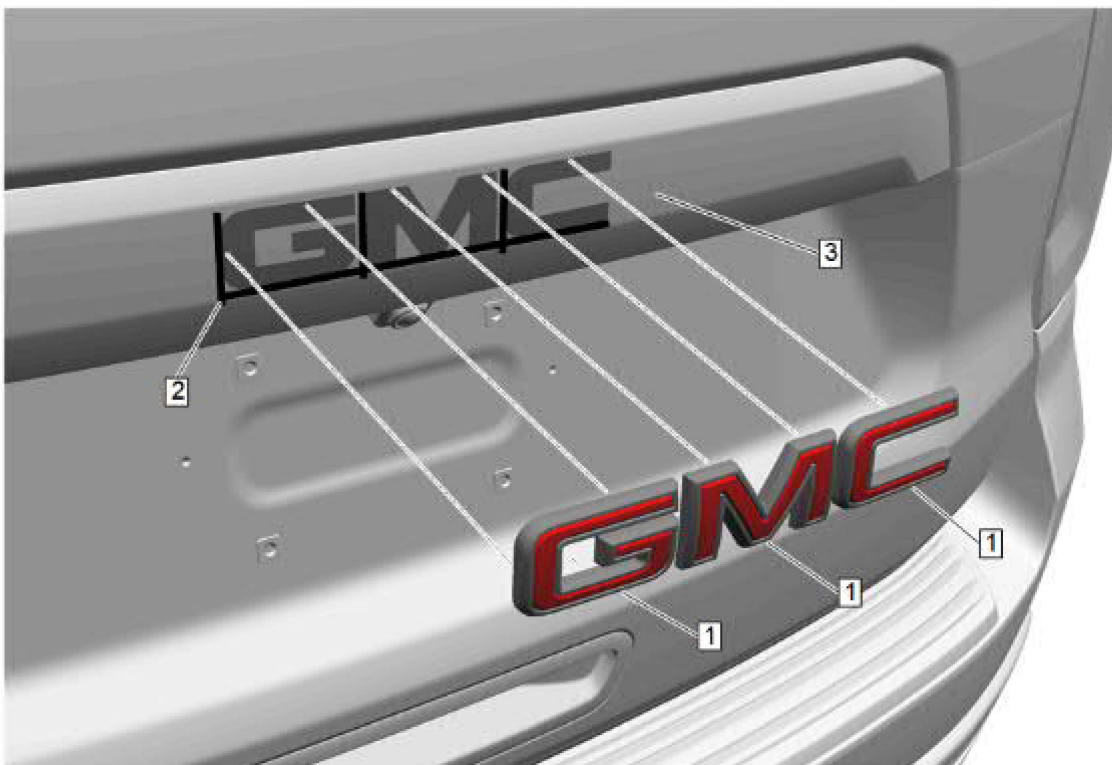


8.13. Hood Secondary Latch Release Handle (2) » Install

8.14. Install hood latch actuator bolt (1) [2x]. Tighten bolts to 2.5 N.m (22 lb in).

Rear Black GMC Emblem Replacement

1. Turn off vehicle.

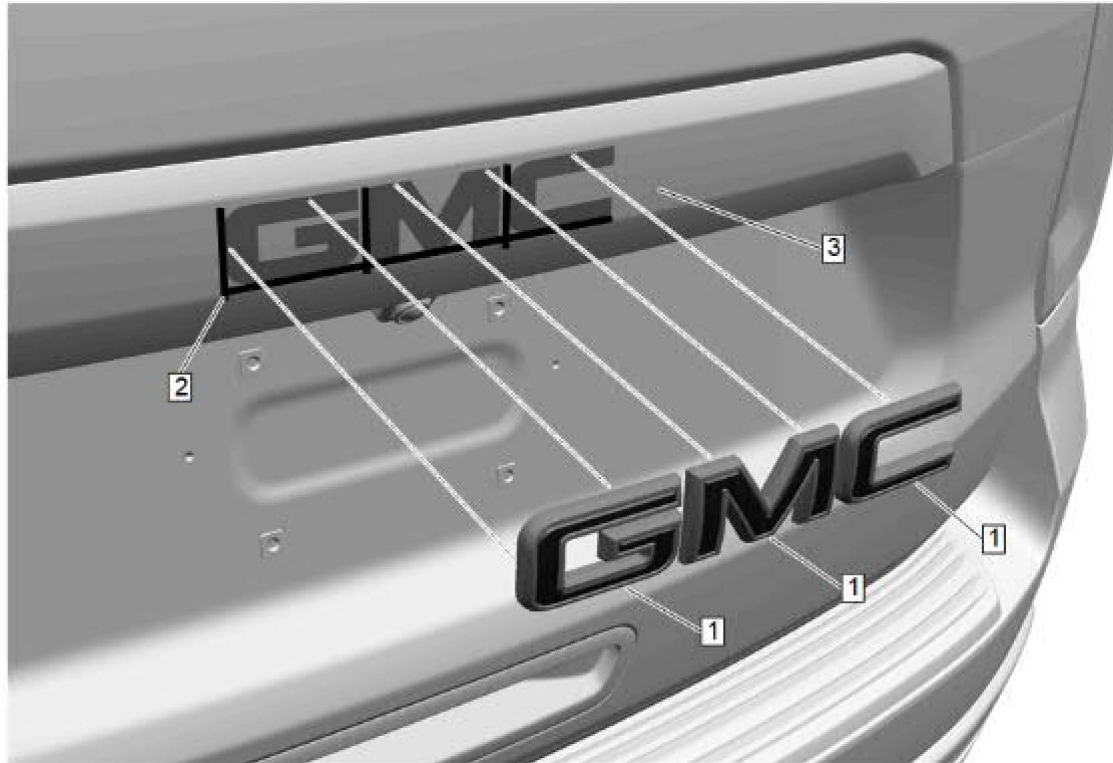


2. Mark the position of the emblem with a washable marker or masking tape (2) prior to removal.

Caution: DO NOT use heat gun to remove emblems from any plastic part (applique) or around any plastic part. Applying heat to emblem may damage the finish of the surrounding plastic part (applique) resulting in replacing the plastic parts (applique).

Caution: Use a plastic, flat-bladed tool to prevent paint damage when removing an emblem/name plate.

3. Carefully remove the existing emblems (1) from the liftgate surface (3) using a plastic flat-bladed tool .
4. Clean any remaining residue with a 50/50 mixture by volume of isopropyl alcohol and clean drinkable water. Wipe surface dry with a clean lint-free towel.
5. Installing the Rear Emblem:
 - 5.1. The part surface should be 21°C (70°F) prior to installation. The vehicle should remain 21°C (70°F) for one hour after assembly to allow adhesive to develop sufficient bond strength.
 - 5.2. When removing protective liners from the adhesive tape, be careful not to touch tape with hands and do not allow tape to come in contact with dirt or any foreign matter prior to adhesion.



- 5.3. Position new emblems (1) carefully within reference marks (2) and place on prepared surface of liftgate (3).
- 5.4. Using the palm of the hand, apply strong pressure to all areas of the emblem to ensure full adhesion is achieved.
- 5.5. Carefully remove any markings or tape used to locate the rear emblem. Clean the liftgate surface as needed.



6. Liftgate emblem complete (1).