

Outside Rearview Mirror Attachment Package Installation

Installation Instruction Part Number

84860391

Kit Contents

QTY.	Description
1	Mirror Lamp Attachment – LH
1	Mirror Lamp Attachment – RH
1	Installation Instructions

Required Tools

Plastic flat-bladed trim tool

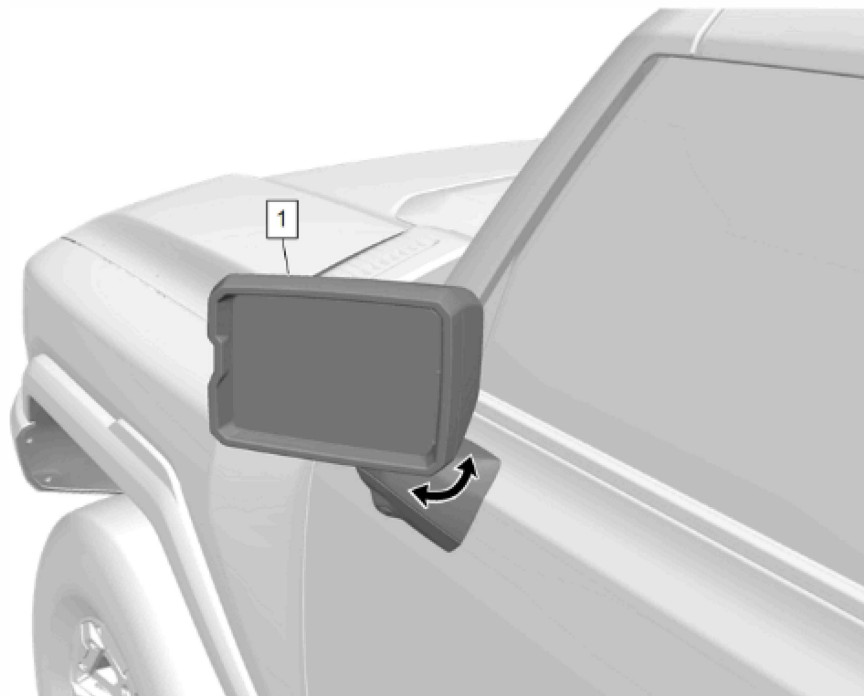
Small suitable flat-bladed tool

Procedure

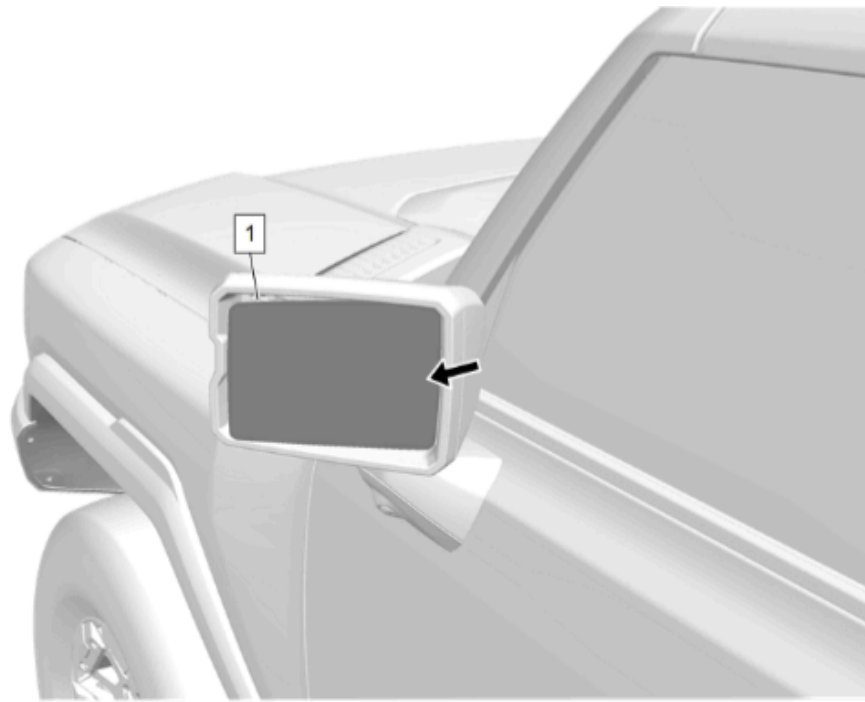
Remove Production Mirror Lamp Attachment

Caution: Care must be taken when removing the mirror glass. Proper removal is important to avoid unwarrantable damage to the mirror glass.

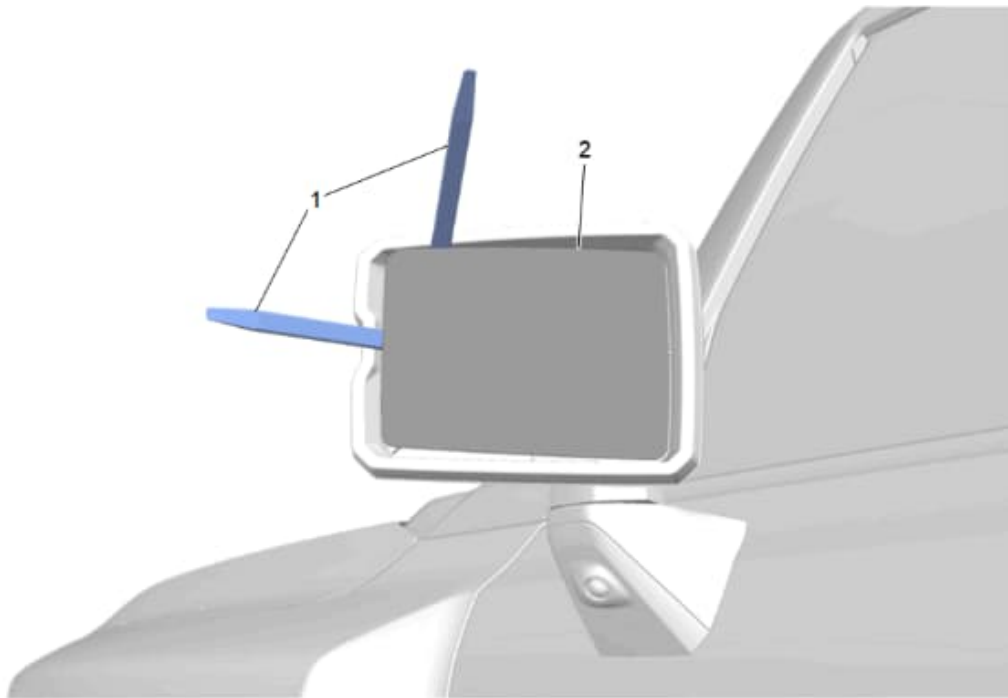
Warning: Refer to [Glass and Sheet Metal Handling Warning](#).



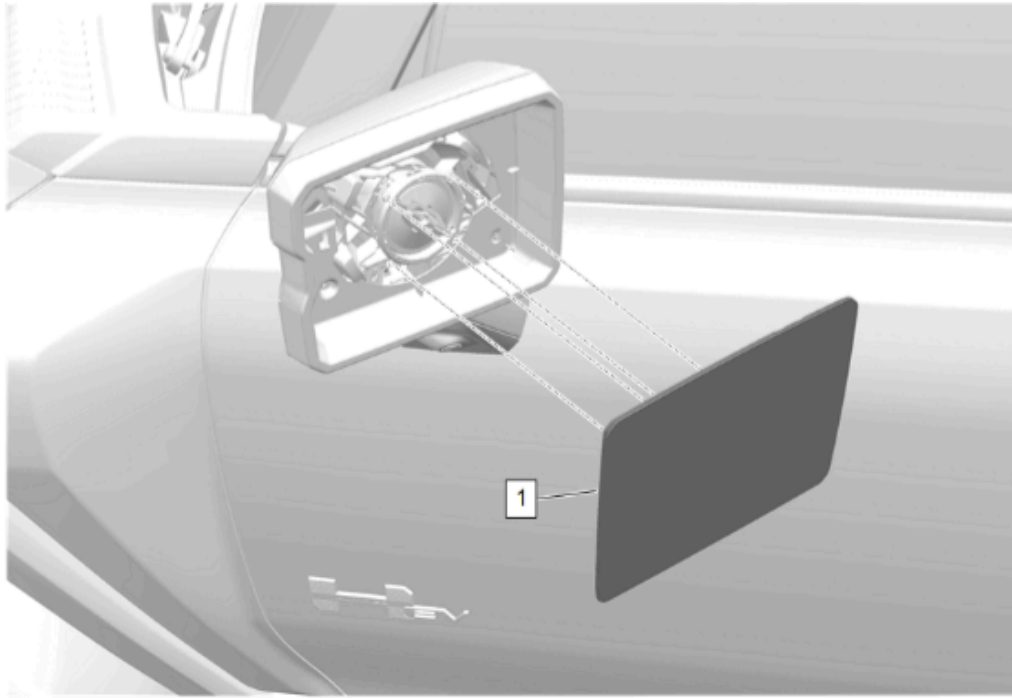
1. Apply masking tape over the outside rearview mirror glass, inboard edge, and outboard edge surfaces of the outside rearview mirror housing (1).
2. Carefully reposition the outside rearview mirror housing (1) to the outboard position.



3. Apply an inward pressure at the inner portion of the outside rearview mirror glass (1) until full travel is achieved.

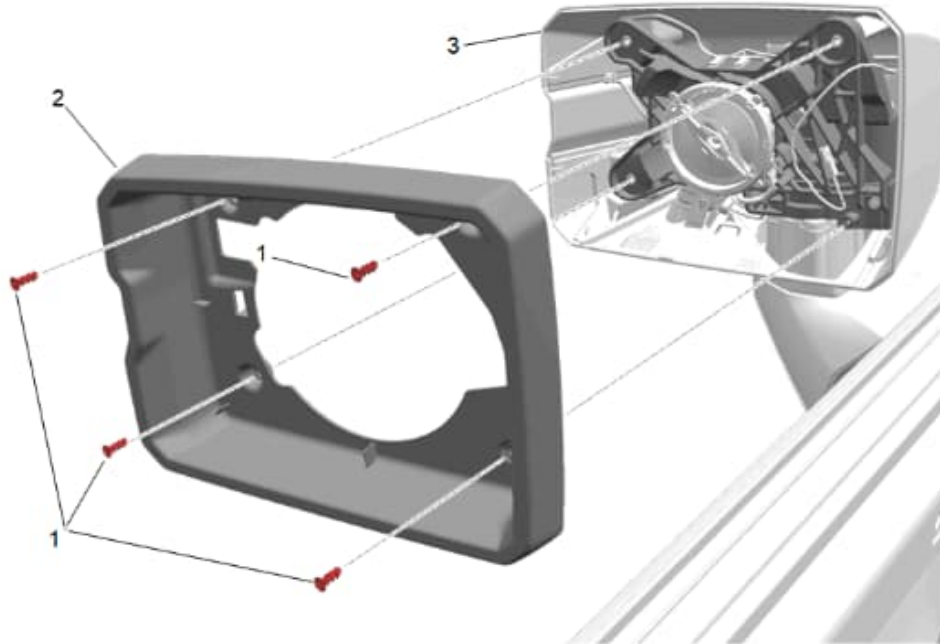


4. Using two flat-bladed plastic trim tools (1), place one behind the outside rearview mirror glass (2) at the outer portion and the other at the outmost upper portion.
5. Carefully apply an even pressure on the flat-bladed plastic trim tools (1) until the outside rearview mirror glass (2) separates from the outside rearview mirror actuator.

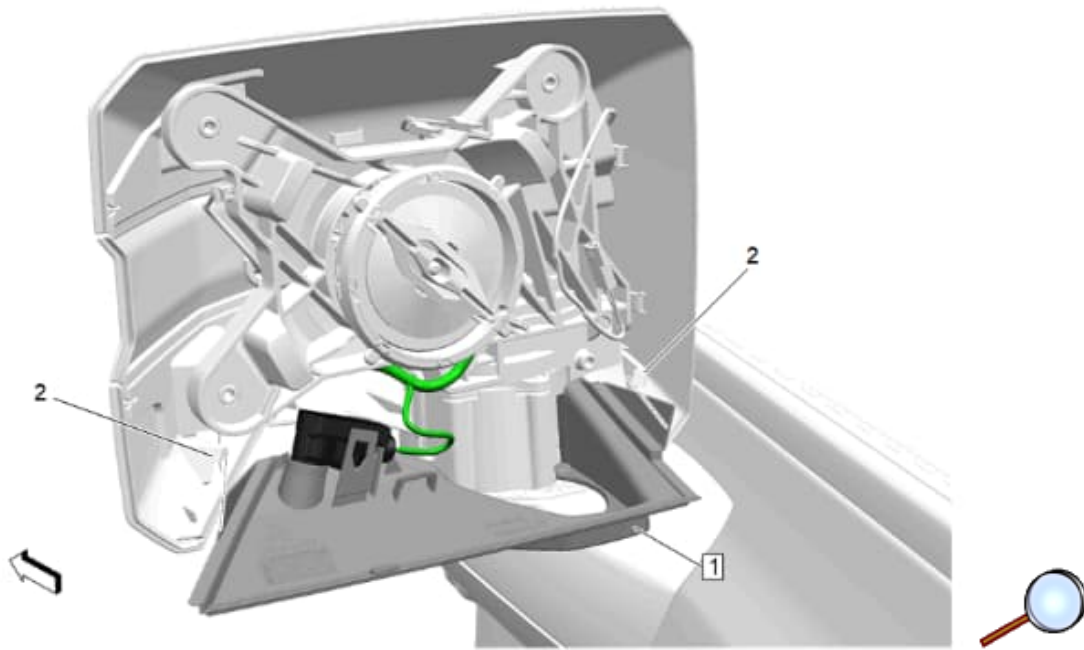


Caution: Care must be taken when removing the mirror glass. Proper removal is important to avoid unwarrantable damage to the mirror glass.

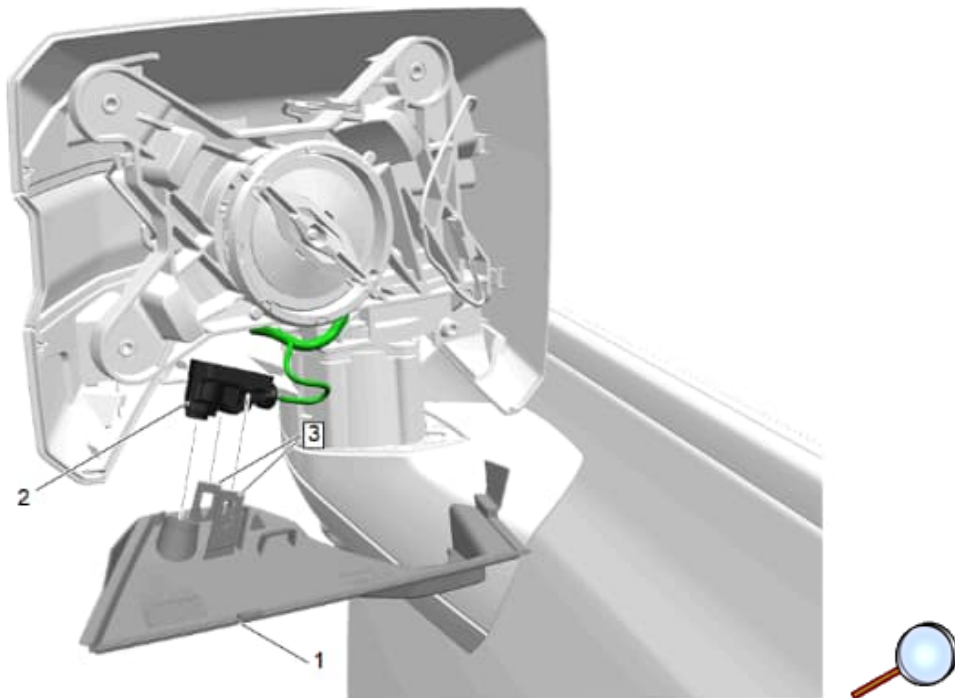
6. Outside Rearview Mirror Glass (1) » Remove
7. Disconnect the electrical connectors.



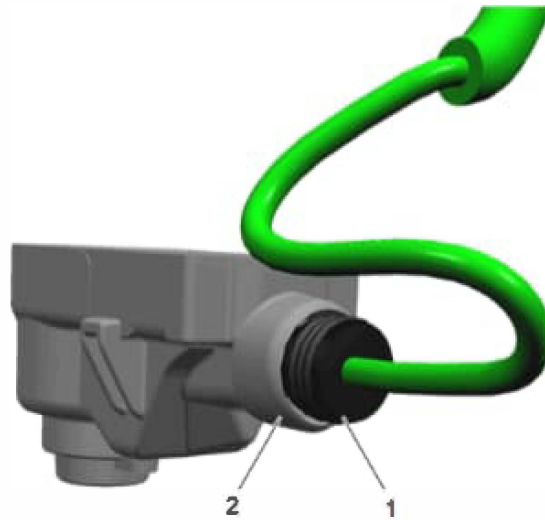
8. Remove and retain the screws (1) from rear case and remove the rear case (2) from housing (3).



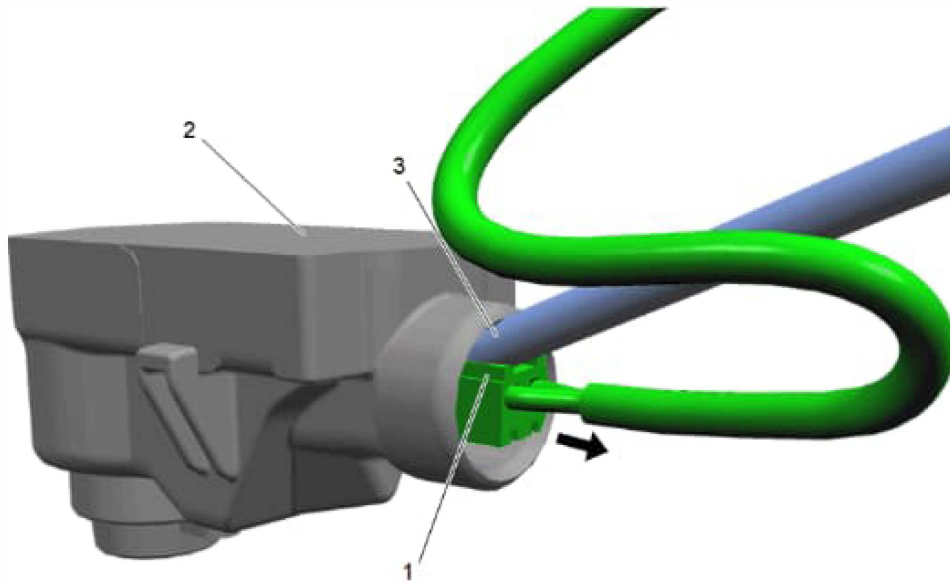
9. Disengage the housing tabs (2) and pull away the lower case (1) from housing.



10. Disengage the retaining tabs (3) and remove the mirror lamp (2) from lower case (1).

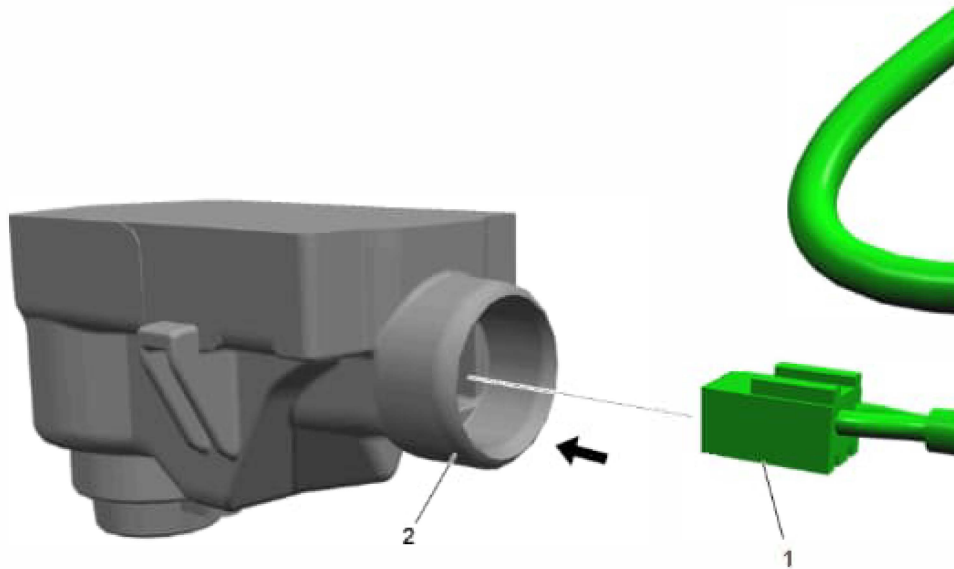


11. Remove the harness grommet (1) from mirror lamp (2) by sliding onto harness to gain access to electrical connector.

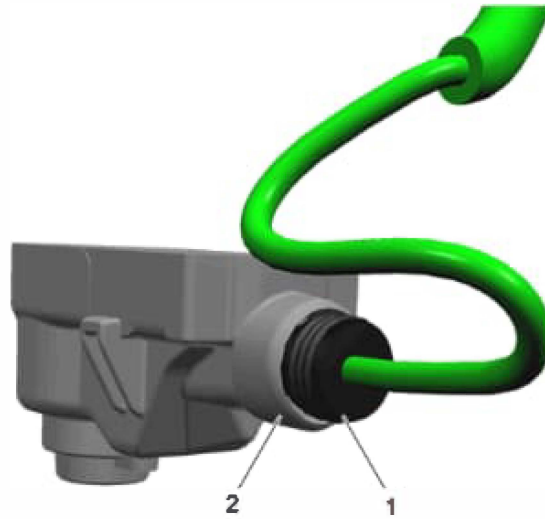


12. While holding the mirror lamp with the flat side upward (2), disconnect the electrical connector (1) using a small suitable flat bladed tool. Make sure to position the small flat bladed tool on top side of connector at an angle as shown to disengage connector lock.

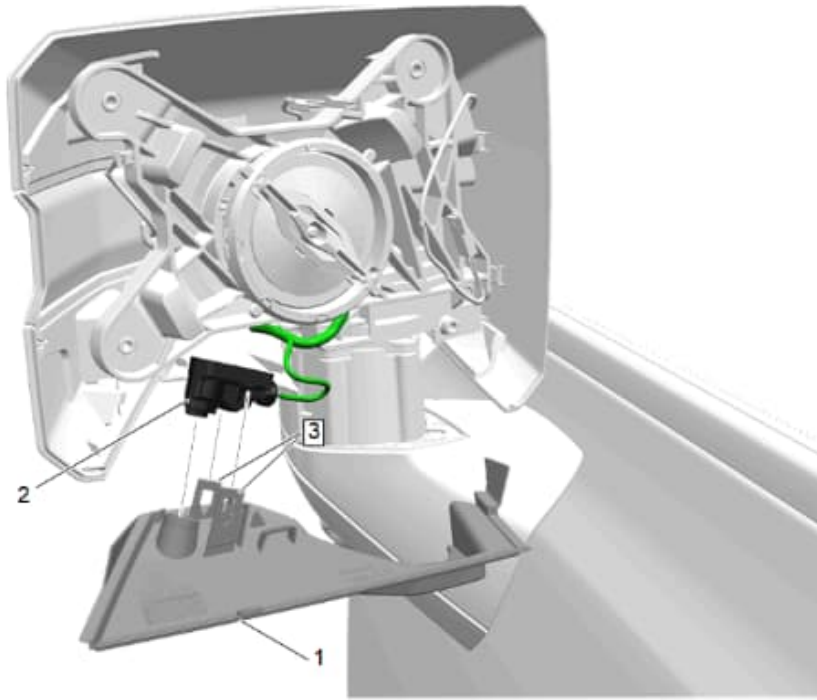
Install New Mirror Lamp Attachment



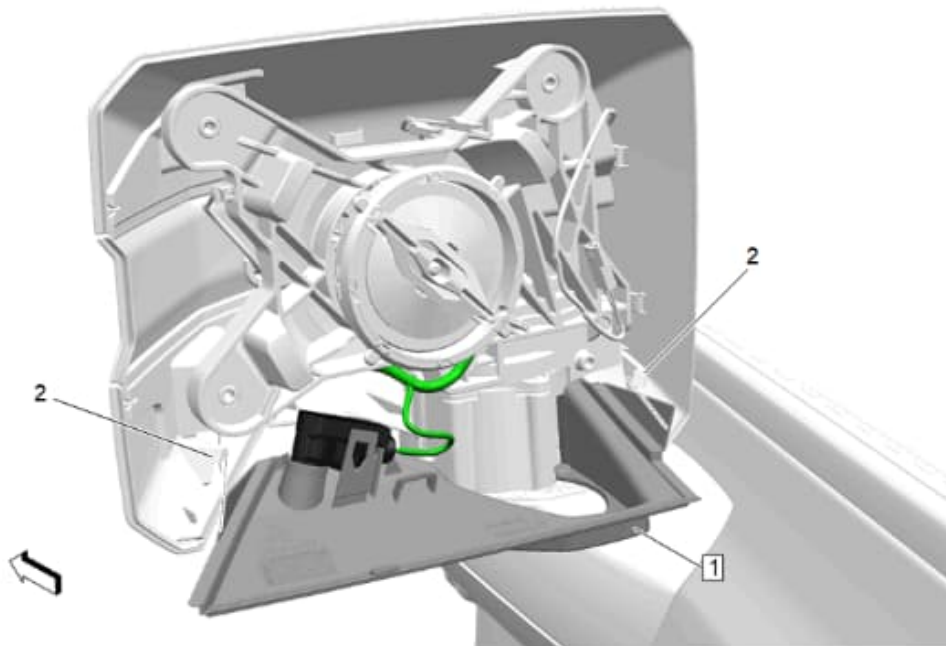
- Note:** Check part label to ensure correct orientation (LH) or (RH) of parts before installation.
1. Connect electrical connector (1) to mirror lamp (2).



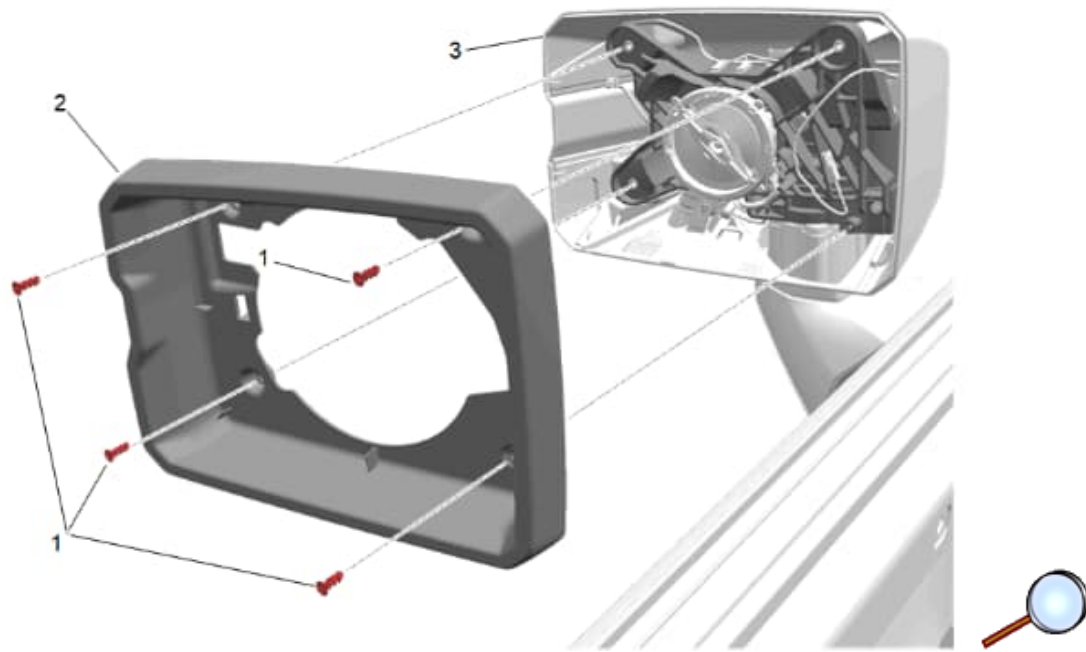
2. Slide the harness grommet (1) into mirror lamp (2) to cover electrical connector, make sure it is pushed in.



3. Install the mirror lamp (2) to lower case (1) and engage the retaining tabs (3).

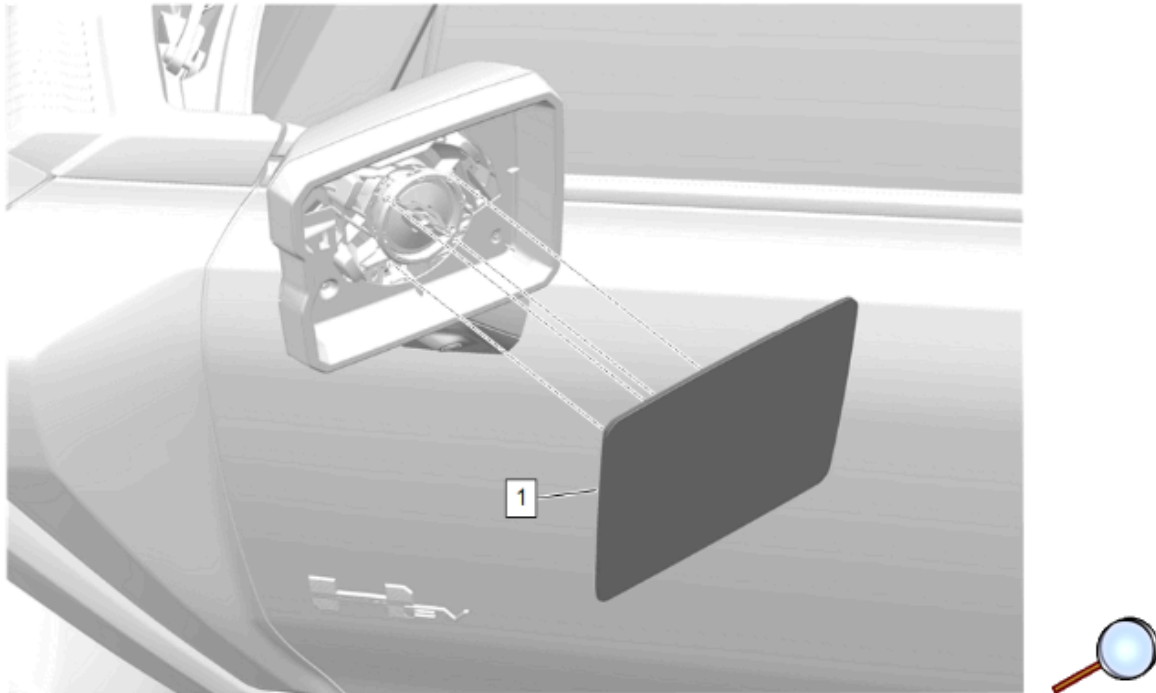


4. Install the lower case (1) to housing and engage the housing tabs (2).



Caution: Use the correct fastener in the correct location. Replacement fasteners must be the correct part number for that application. Fasteners requiring replacement or fasteners requiring the use of thread locking compound or sealant are identified in the service procedure. Do not use paints, lubricants, or corrosion inhibitors on fasteners or fastener joint surfaces unless specified. These coatings affect fastener torque and joint clamping force and may damage the fastener. Use the correct tightening sequence and specifications when installing fasteners in order to avoid damage to parts and systems.

5. Install the rear case (2) to housing (3) and reinstall the screws (1).

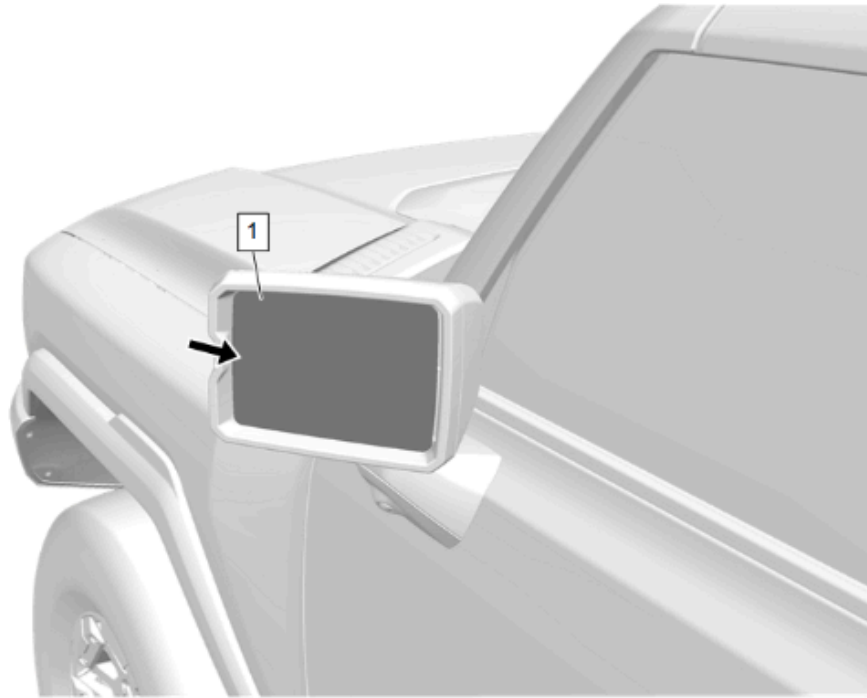


6. Connect the electrical connectors.

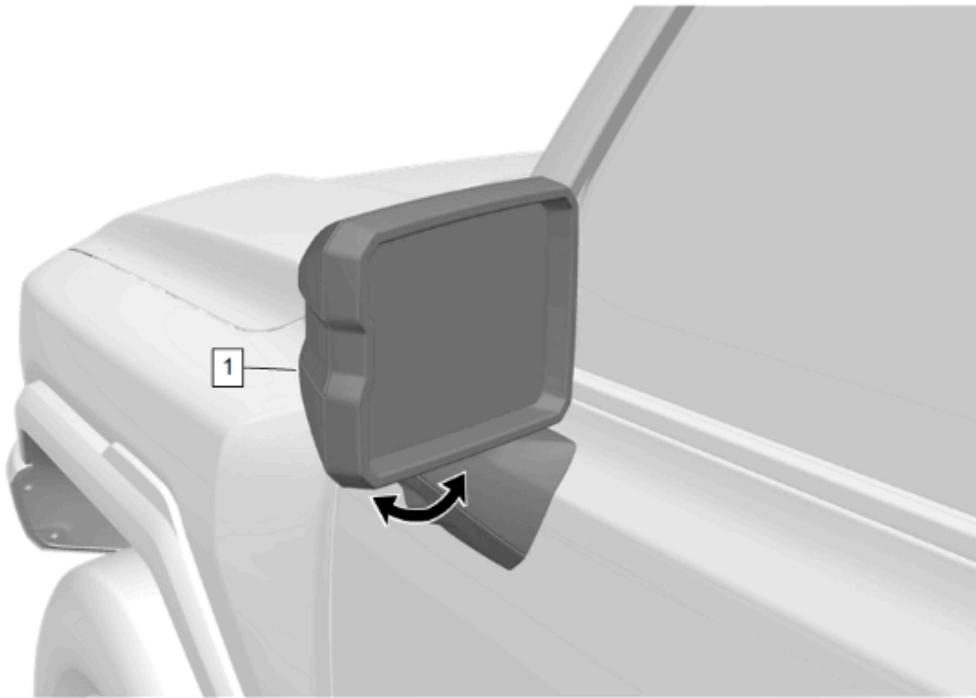
Note: Rotating the outside rearview mirror glass, once installed, will help identify any springs that didn't make it into the track. Springs that aren't seated correctly will restrict glass movement.

7. Carefully align the outside rearview mirror glass (1) retainers with the outside rearview mirror actuator. Tilt the glass up and rotate down to ensure the springs are seated into the track.

8. Outside Rearview Mirror Glass (1) » Install



9. Return the outside rearview mirror glass (1) to the original position.



10. Return the outside rearview mirror housing (1) to the original position.
11. Remove the masking tape from the outside rearview mirror glass, inboard edge, and outboard edge surfaces of the outside rearview mirror housing (1).
12. Remove any remaining adhesive residue with a 50/50 mixture by volume of isopropyl alcohol and clean drinkable water. Wipe the surface dry with a clean lint-free towel.
13. Inspect the outside rearview mirror for proper operation.
14. Clean the mirror housing and mirror glass.
15. Confirm mirror lamp function by cycling unlock/lock with remote.
16. Repeat procedure for opposite side.