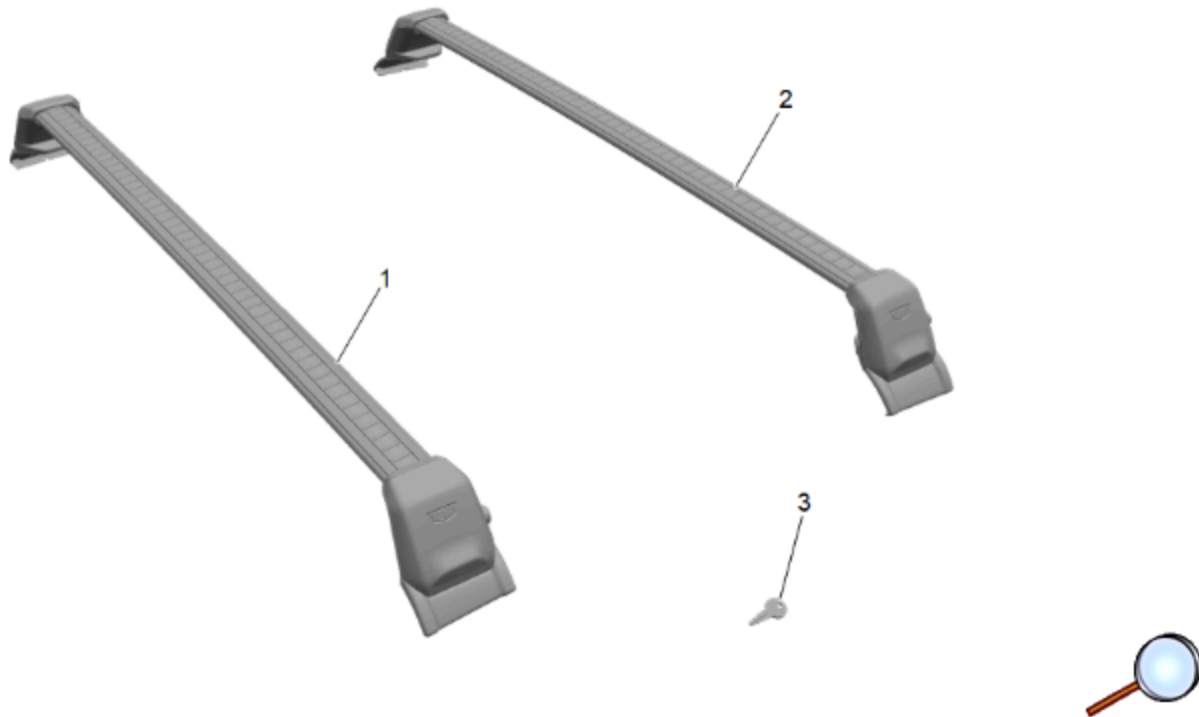


Luggage Carrier Cross Rail Kit Installation (Instruction ID: 84885921)

Installation Instructions Part Number

84885921

© 2024 General Motors. All rights reserved.



Kit Contents

Item	Qty	Description
1	1	FRONT CROSS BAR
2	1	REAR CROSS BAR
3	2	KEY
-	1	Installation Instructions

Additional Tools Required

Measuring Tape (not provided)

WARNING/LIMITATION:

The weight of the cross bar rack system together with the load you place on them must not exceed the maximum weight limitation of 110 lbs. (50kg).

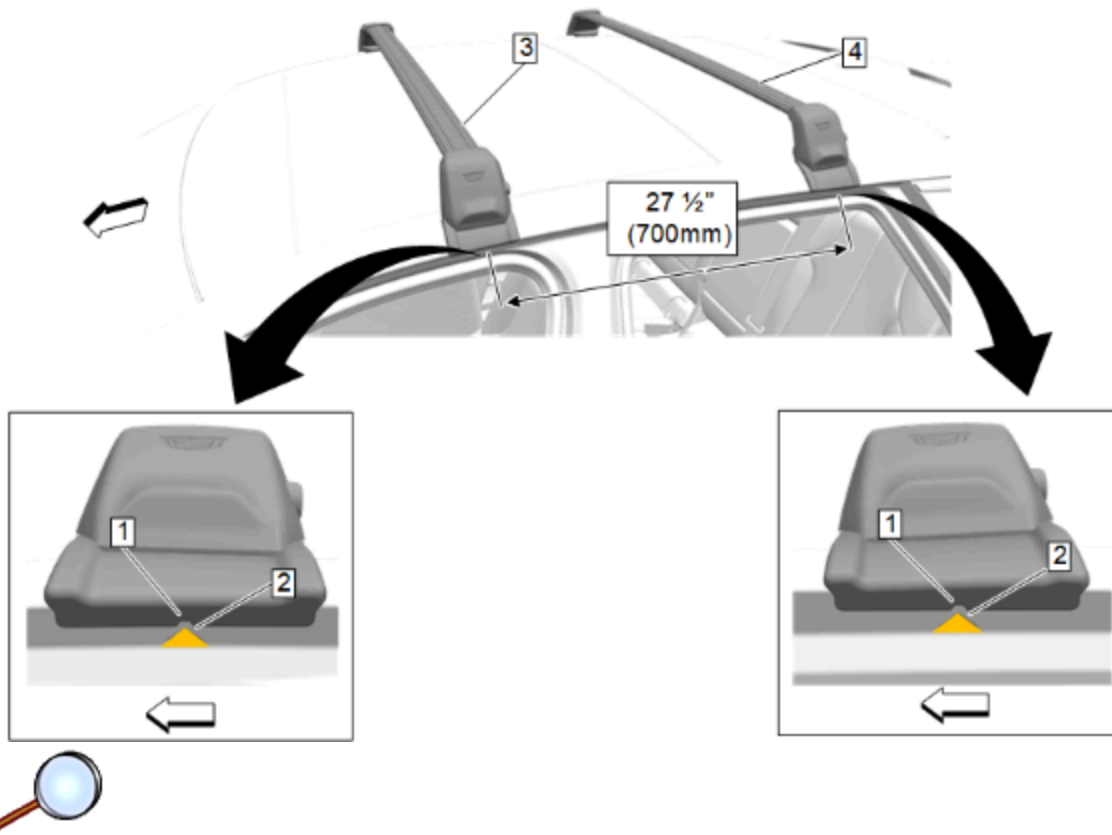
Warning: Keep the installation instructions with the Owner's Manual. Do not discard it.

Warning: Cross bar rack systems are specifically designed for certain vehicles. Do not attempt to put these cross bars onto a different vehicle or model year.

Caution: Before installing cross bars on vehicle, make sure the cross bar on your vehicle is clean to prevent dirt from damaging the appearance of the cross bar.

Caution: Do not attempt to use the sunroof when the cross bar rack system is installed.

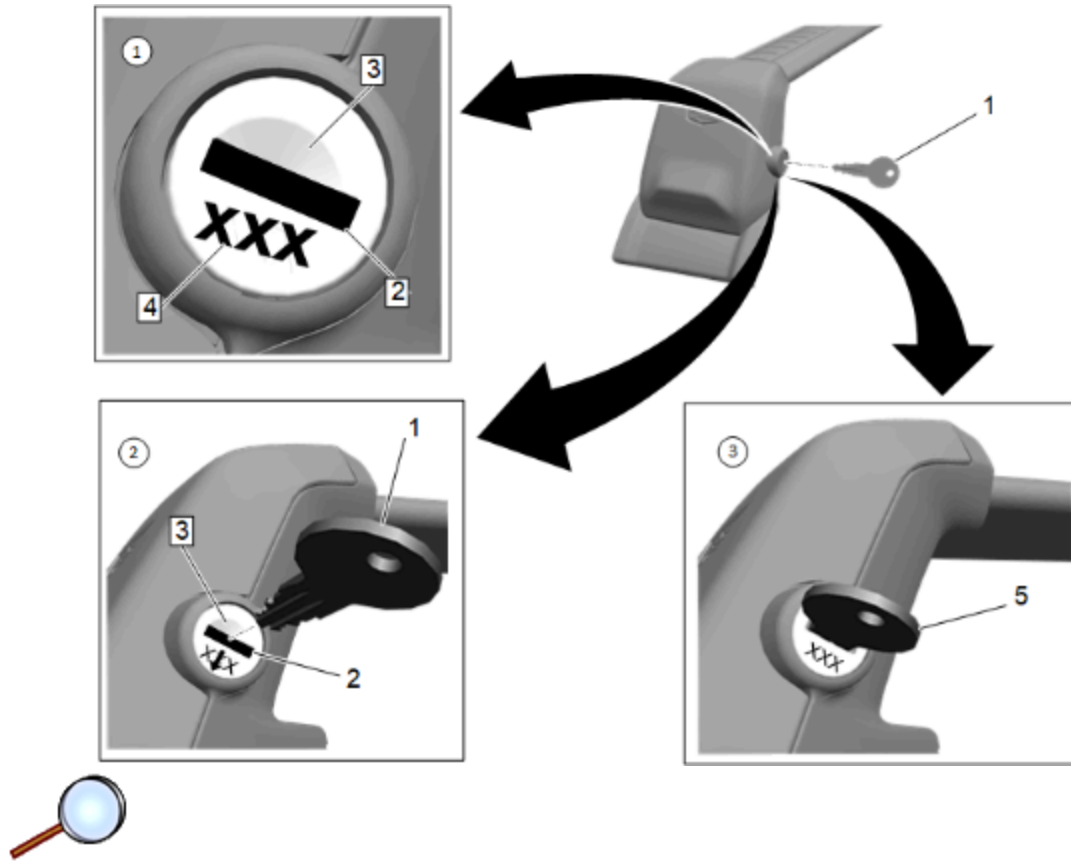
LOCATING and ORIENTING RECOMMENDATIONS



1. This cross bar system (3), (4) is not adjustable in the Front and Rear direction of vehicle; the notch (1) needs to be installed on the vehicle triangle marked position (2).

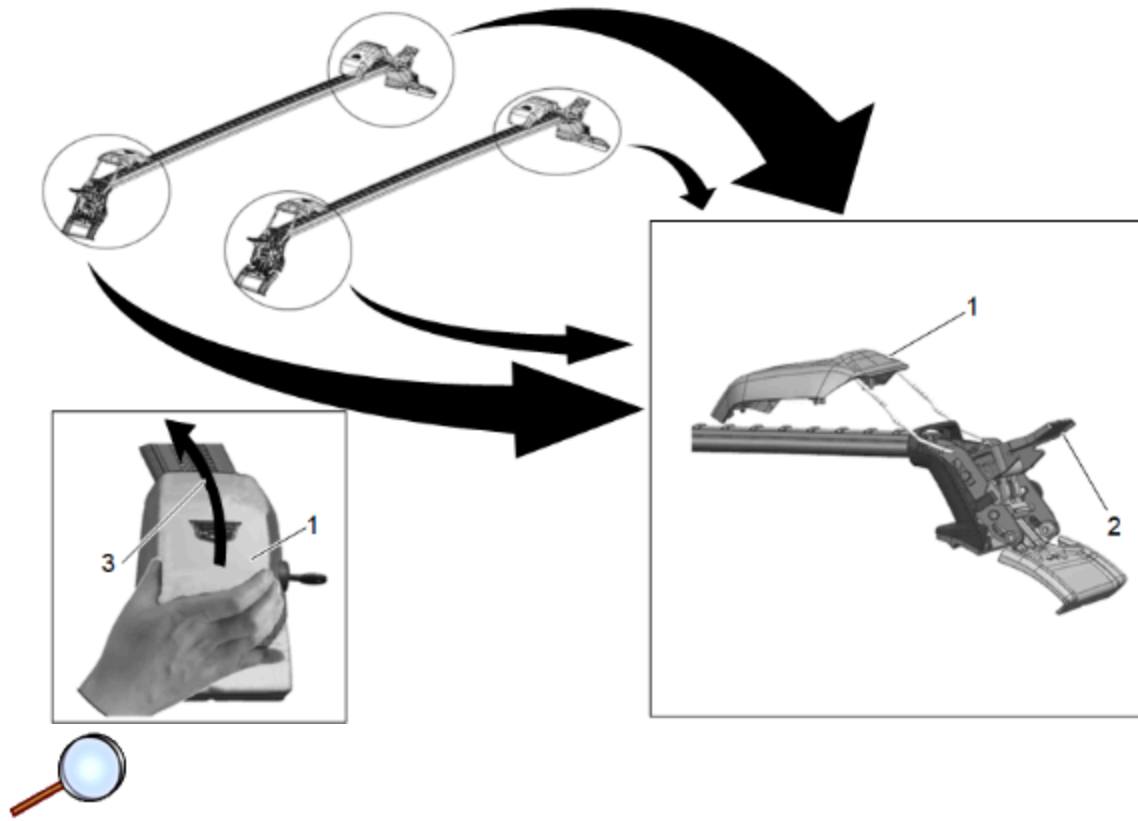
Procedure

1. Start the installation by bringing the front and rear Cross Bars on the left side of vehicle (driver's side).



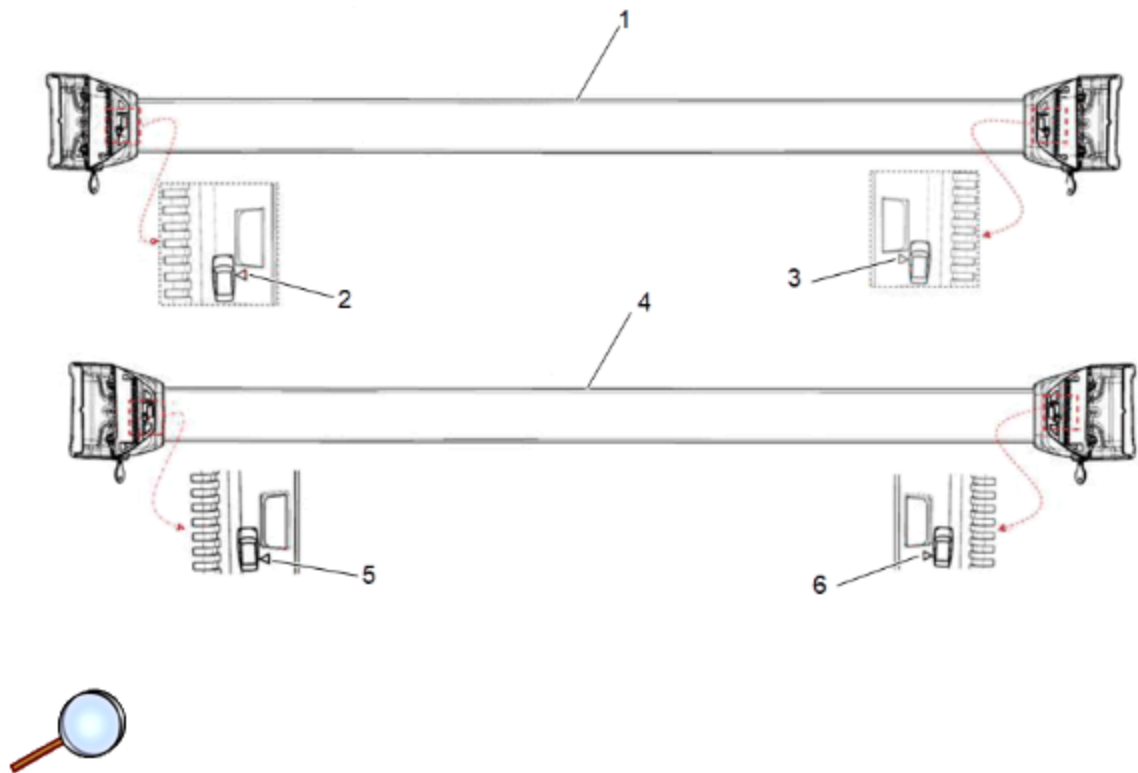
Note: The kit comes with two keys. Additional keys are available through dealerships by providing the key cylinder three-digit code (4) located on the lock face.

2. Unlock the hand levers on the cross bars. The lever is unlocked by first inserting key (1) tip on indent (3) of lock face, then pushing the dust shutter (2) out of the way, and finally rotating the key (5).



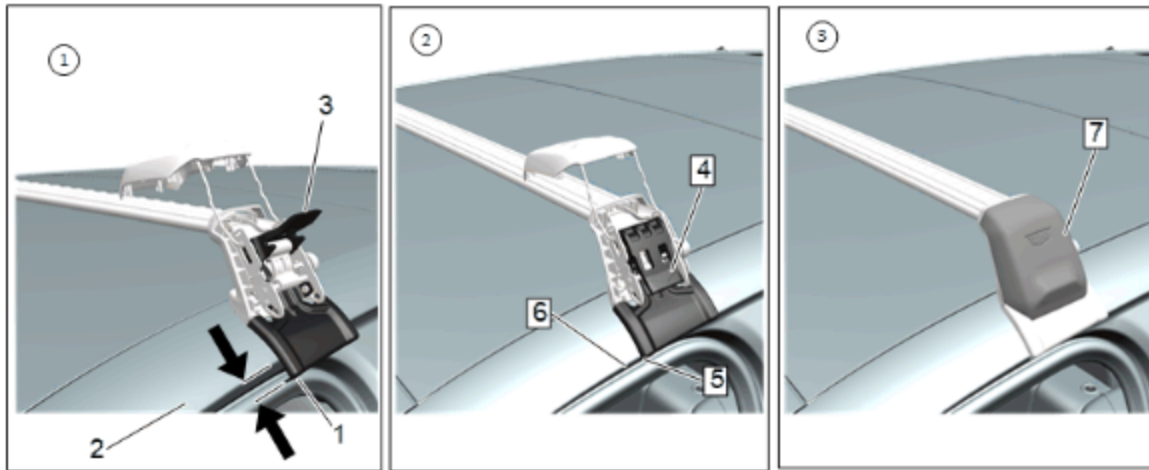
3. Unlock the Cross Bar with your key and open the outer cover (1) and hand lever (2).

Note: To open the outer cover (1), hold the lower area of cover with one or two hands and swing the cover in the direction of arrow (3).



Note: This installation requires 2 people for proper installation to avoid vehicle damage.

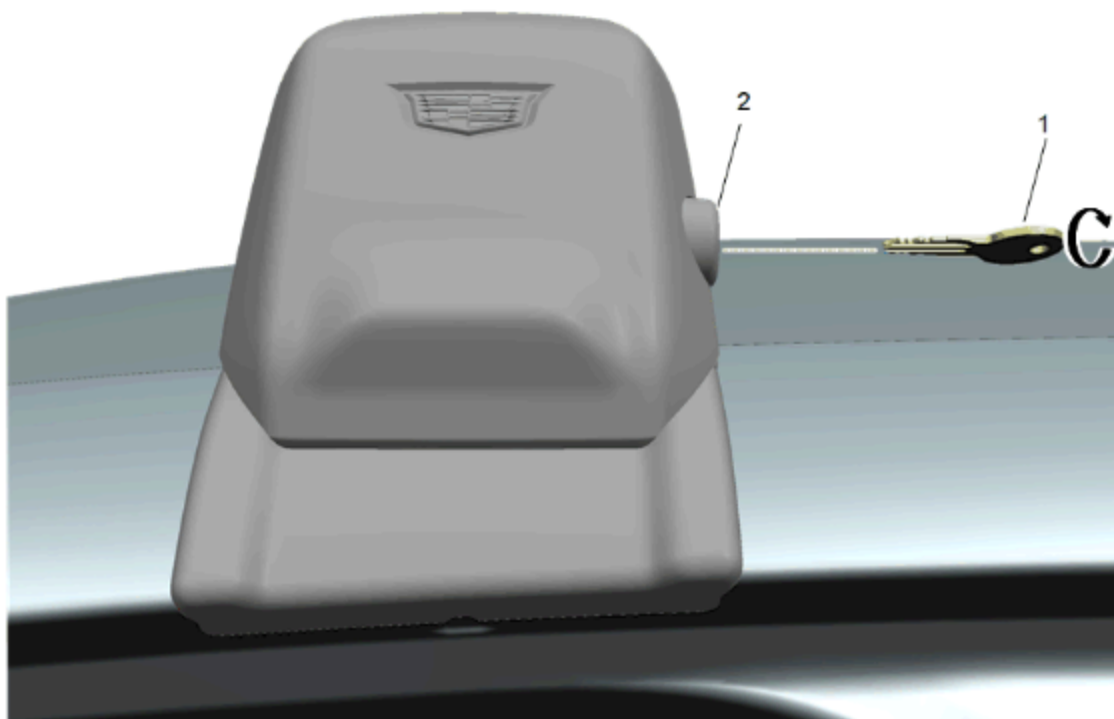
4. The cross bars are identified on their bottom side of the stanchion. The front cross bar (1) part number 85009926 shows images for the front passenger side (2) and the front driver side (3). The rear cross bar (4) part number 85009927 shows images for the rear passenger side (5) and the rear driver side (6).



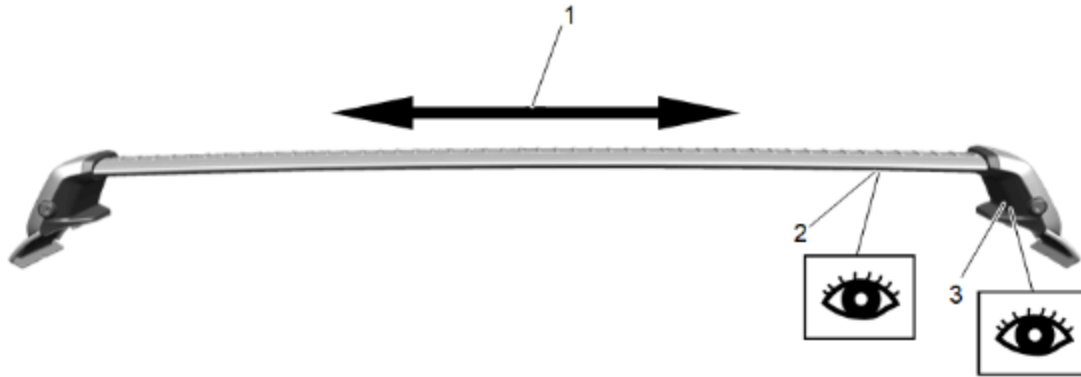
5. Install the claw to the side panel and ensure the outer cover can be closed.

Note: Note the clearance between the claw (1) and side panel (2).

- 5.1. Lift the lever (3) to its fully open position to open before assembly.
 5.2. Push the lever (4) to the closed seated position on the side panel and at the same time ensure that there is no clearance between claw (5) and side panel (6)
 5.3. Rotate the outer cover (7) to the closed position.

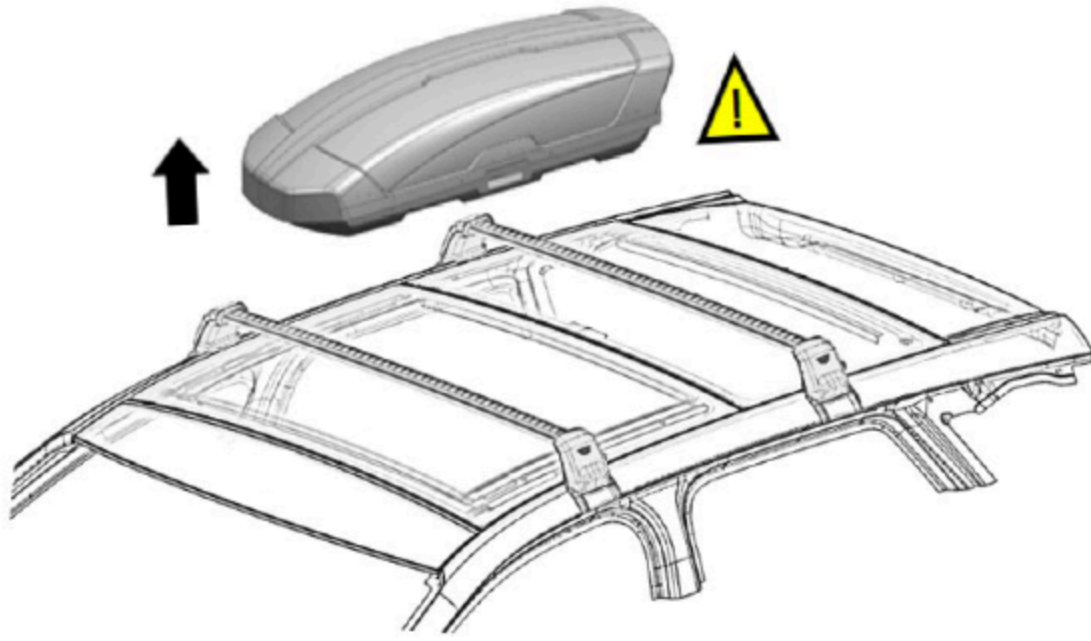


6. Rotate the key (1) to the vertical position to lock the support (2) and remove the key.
7. Repeat steps 5 and 6 for the rear cross bar (make sure to start on the left hand side of the vehicle). Remember that vehicle position images must match with the correct locations on the vehicle.
8. Walk to the right hand side of vehicle and follow steps 10-11 for each cross bar.



9. Adjust the width (1) of each of the cross bar on the right side of the vehicle. First grasp the bar (2), then pull on the inner cover (3) to increase the length or push inner cover to decrease length. While adjusting the length of the cross bar, slowly push the crossbar down onto the side panel.
10. Push the lever down to clamp the side panel. Lock the supports and remove your key.
11. Store your keys where you can find them easily (i.e. key ring, glove box, etc.).

REMOVAL



Note: Once your cross bar system has already been installed, you can easily re-position the cross bars.

1. First, remove any load (weight) on top of the cross bars.
2. Unlock the supports of the cross bars that you want to move, and open the levers.
3. You can then remove the cross bars, and store them until your next needed use.

Note: IF YOU REMOVE YOUR CROSS BAR SYSTEM, AND YOU FIND THAT THE BODY SIDE UNDERNEATH APPEARS SMUDGED, YOU CAN CLEAN IT WITH EITHER A DRY NAPKIN, OR A NAPKIN MOISTENED WITH RUBBING ALCOHOL (~90% ISOPROPYL ALCOHOL).