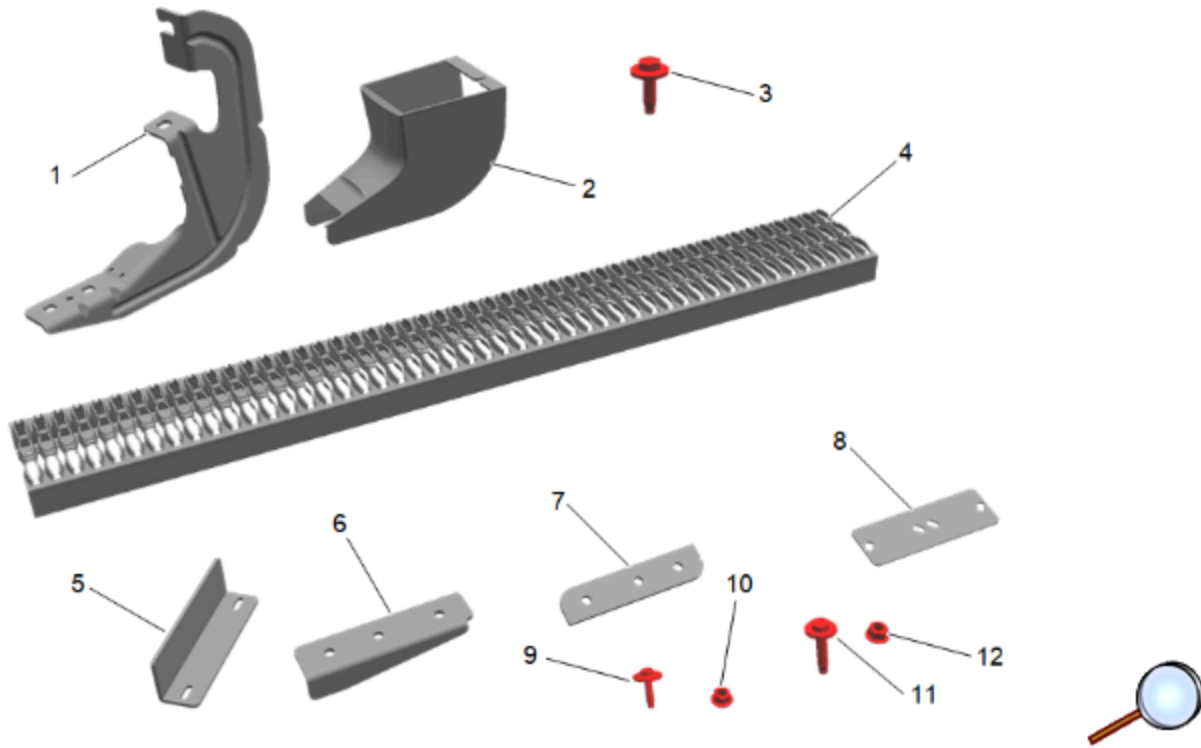


# Assist Step Kit Installation (Instruction ID: 84917072)

## Installation Instructions Part Number

84917072



© 2025 General Motors. All rights reserved.

### Kit Contents

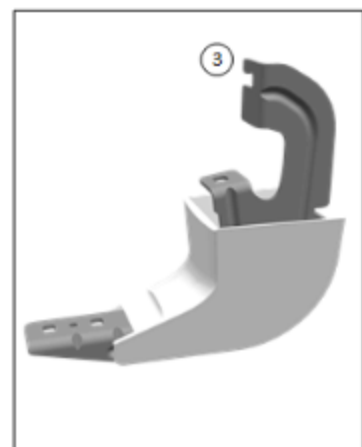
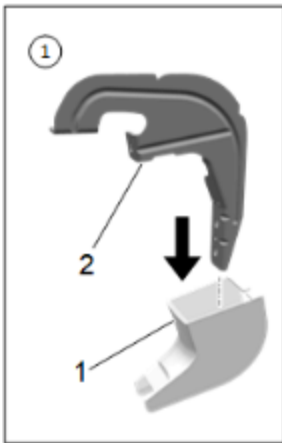
Item	Description	Qty: HD Regular Cab	Qty: HD Extended Cab	Qty: HD Crew Cab
1	Vehicle Bracket	6	8	8
2	Vehicle Bracket Cover	6	8	8
3	M8 Hex Bolt (Silver)	12	16	16
4	Step	2	2	2
5	End Cap	4	4	4
6	Angle Bracket	6	8	8
7	Strap Bracket	6	8	8
8	Spacer Plate	6	8	8

Item	Description	Qty: HD Regular Cab	Qty: HD Extended Cab	Qty: HD Crew Cab
9	M6 Hex Bolt	8	8	8
10	M6 Hex Nut	8	8	8
11	M8 Hex Bolt (Black)	18	24	24
12	M8 Hex Nut (Black)	18	24	24
-	Instruction Sheet	1	1	1

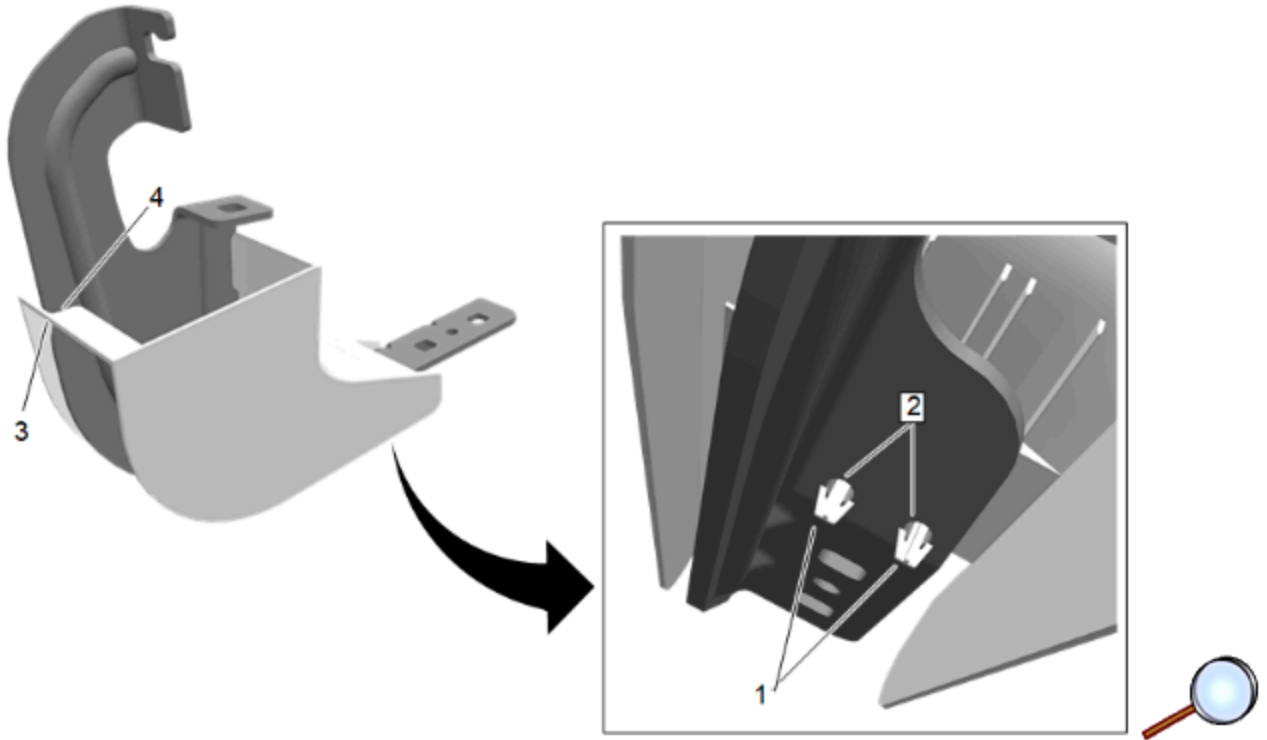
### Tools Required

- Torque Wrench
- 13mm Socket
- 3/8" drive Ratchet
- 3" 3/8" drive extension
- 10mm socket
- 10mm wrench
- Tape measure

**Caution:** Use the correct fastener in the correct location. Replacement fasteners must be the correct part number for that application. Fasteners requiring replacement or fasteners requiring the use of thread locking compound or sealant are identified in the service procedure. Do not use paints, lubricants, or corrosion inhibitors on fasteners or fastener joint surfaces unless specified. These coatings affect fastener torque and joint clamping force and may damage the fastener. Use the correct tightening sequence and specifications when installing fasteners in order to avoid damage to parts and systems.

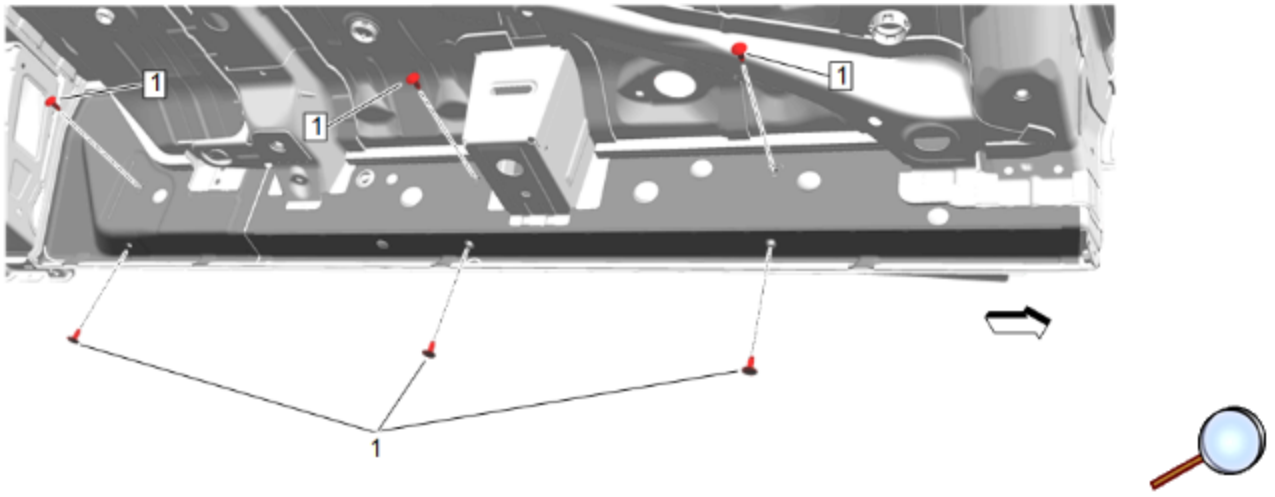


1. Install the bracket cover (1) onto the vehicle bracket (2).



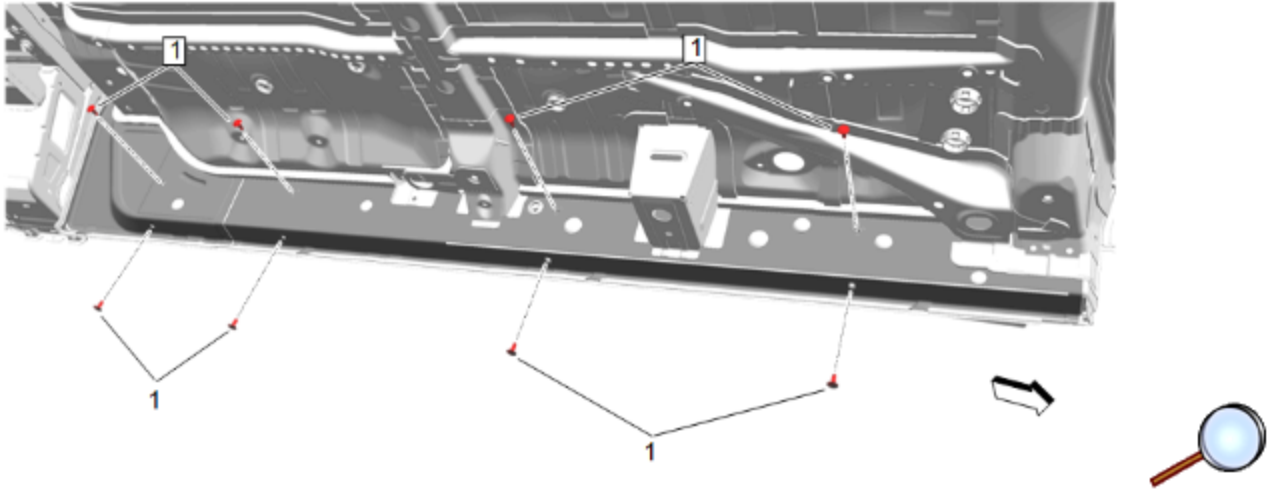
- 2. Align the cover pins (1) with the bracket holes (2) and press into bracket.
- 3. Align cover notch (3) with the vehicle bracket notch (4).

**Bracket Positions (Left Hand Side Shown, Right Hand Side Opposite)**



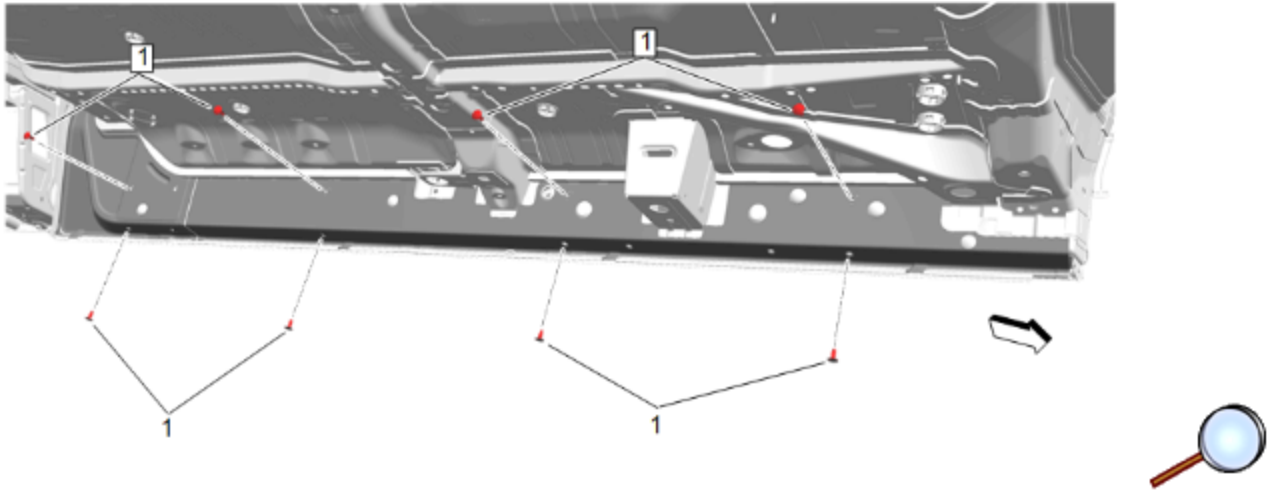
**1. Regular Cab:**

**Note:** Remove plugs (1) for weld nut access at positions indicated.



**2. Extended Cab:**

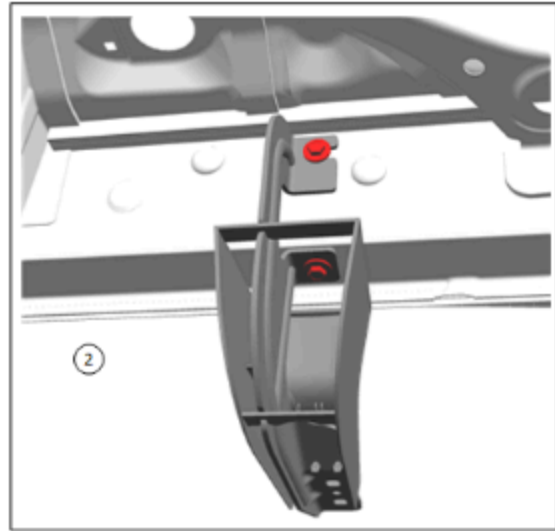
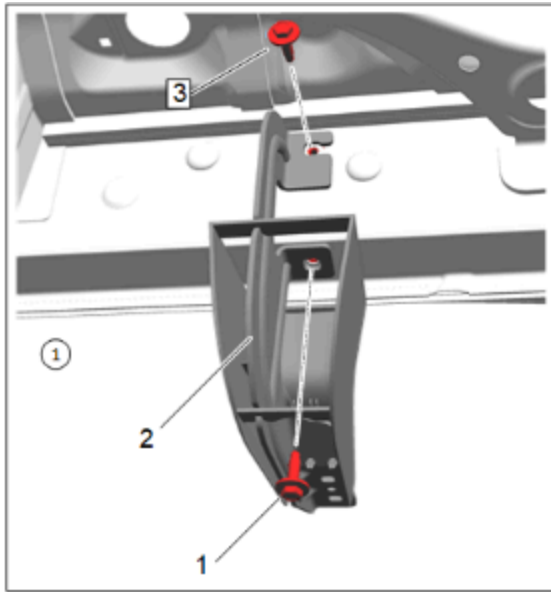
**Note:** Remove plugs (1) for weld nut access at positions indicated.



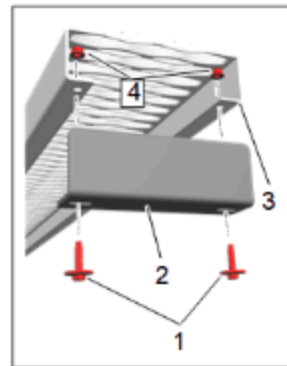
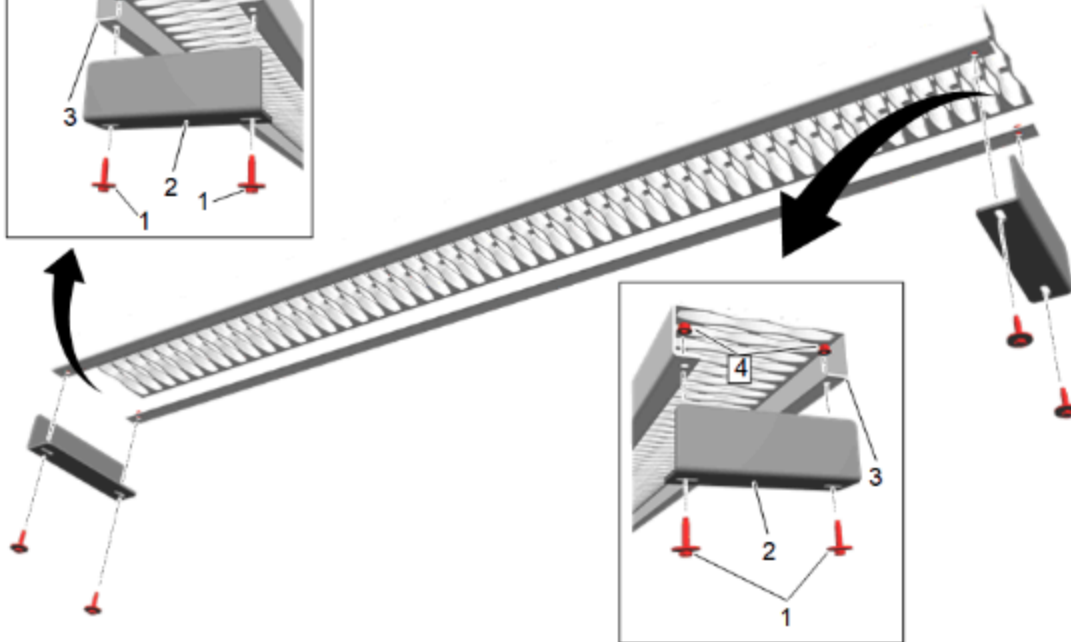
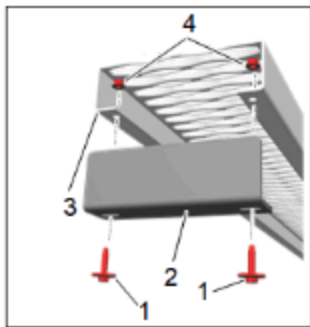
**3. Crew Cab:**

**Note:** Remove plugs (1) for weld nut access at positions indicated.

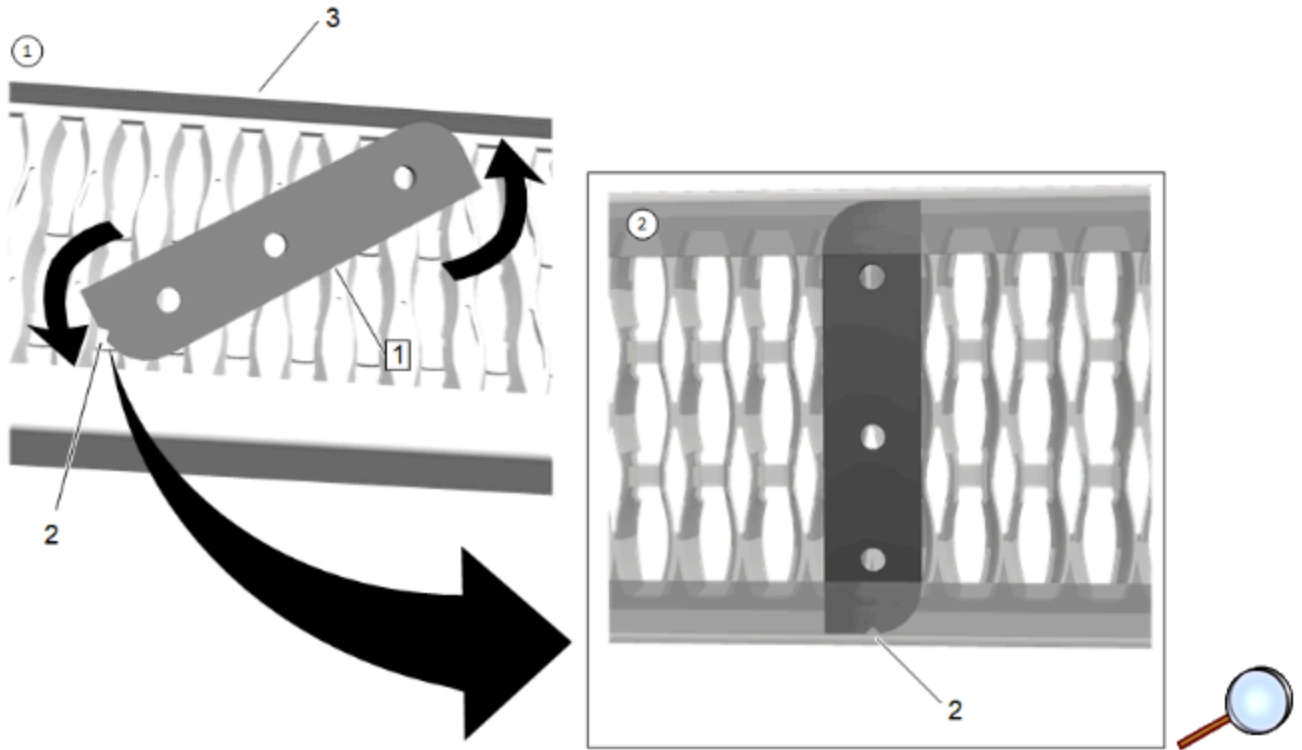
**Vehicle Bracket Install**



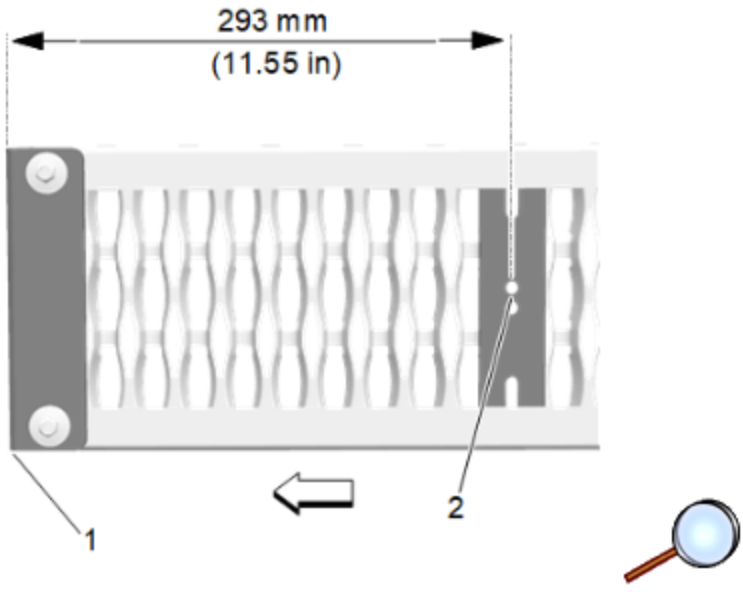
1. Install the vehicle brackets (2) to the inner rocker panel at the previously identified locations with the SILVER M8 bolts (1), (3). Tighten bolts (1) in lower vehicle positions to 25 N.m (18 lb ft). Repeat tightening bolts (3) in upper vehicle positions to 25 N.m (18 lb ft).



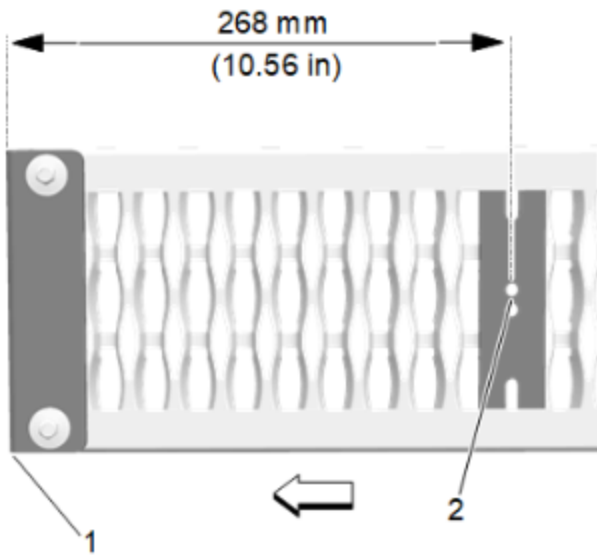
2. Install the two end caps (2) at the ends of the step (3) using M6 bolt (1) and nut (4) into the holes in the step flange. Tighten bolts to 10 N.m (7.5 lb ft).



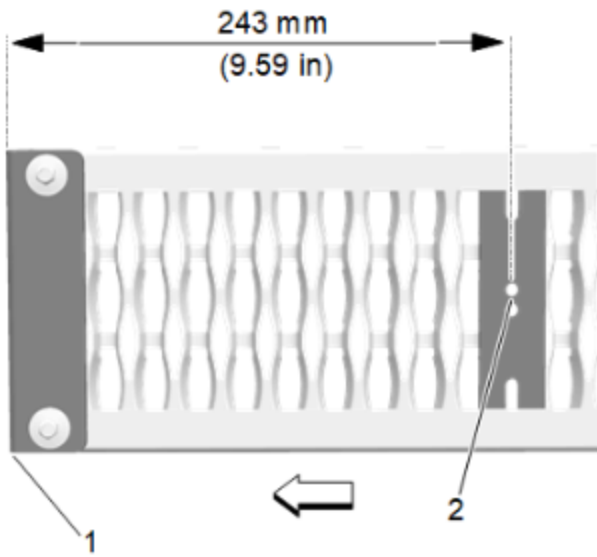
- 3. Install the strap brackets (1) into the step (3) by placing through the bottom opening and rotating them into place with identifying notch (2) installed inward towards the vehicle.
- 4. Locate strap brackets at the front bracket location by measuring from the end of the front end cap (1) to the strap bracket mounting holes (2) with the dimensions given below:



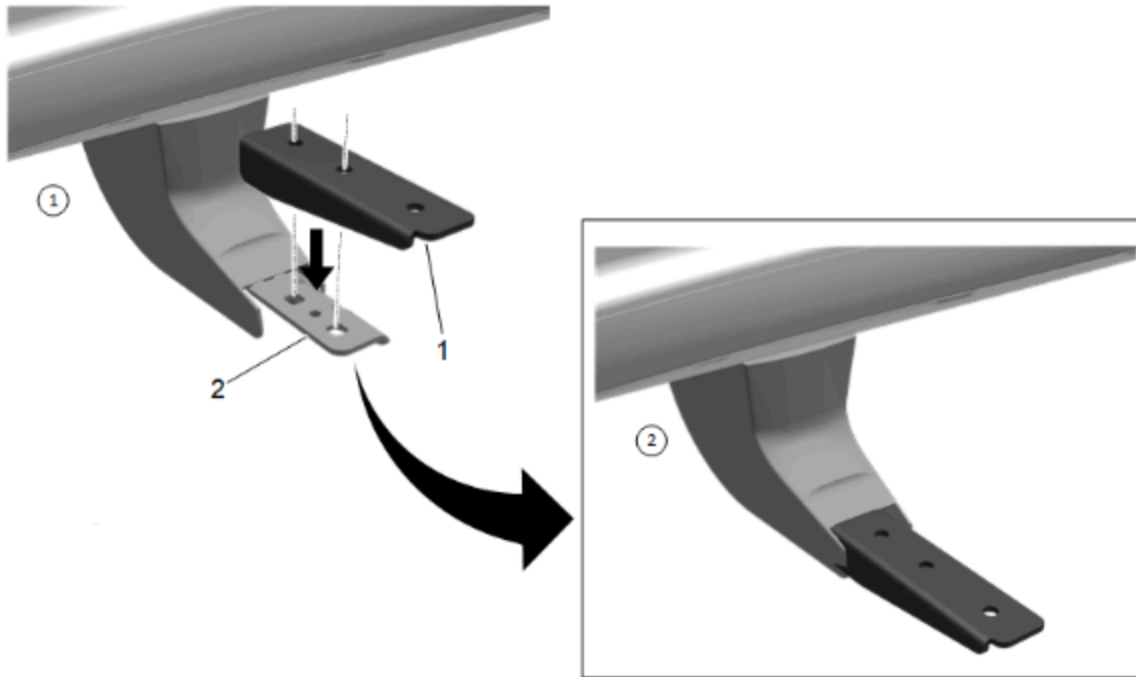
4.1. Crew Cab



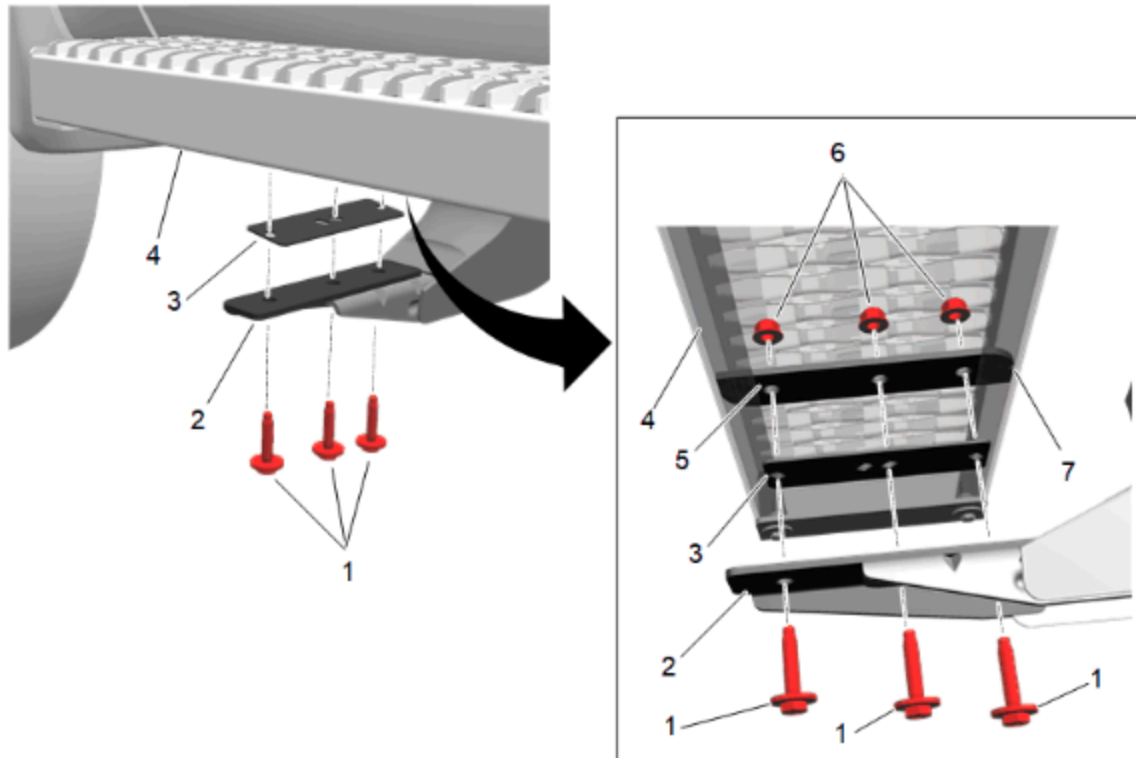
#### 4.2. Extended Cab



#### 4.3. Regular Cab

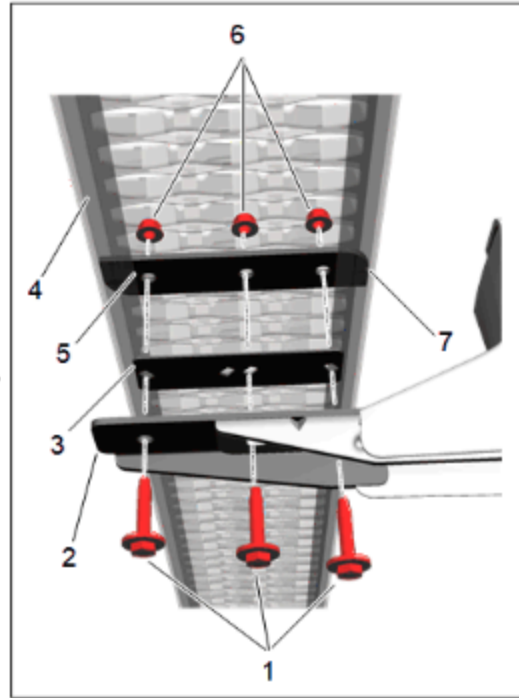
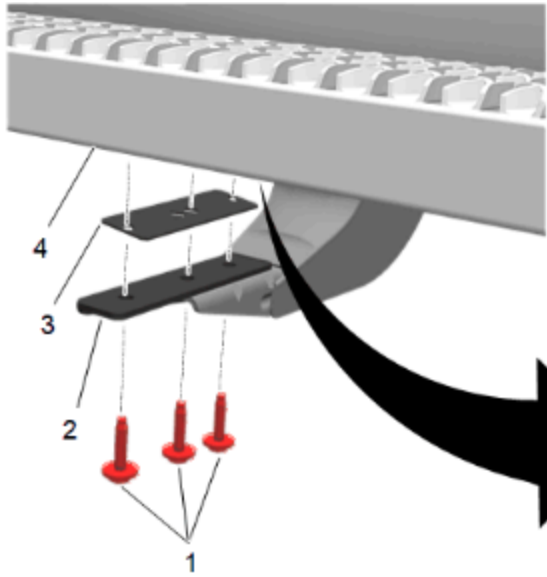


5. Place the angle brackets (1) on the previously installed vehicle brackets (2) with the holes aligned as shown.



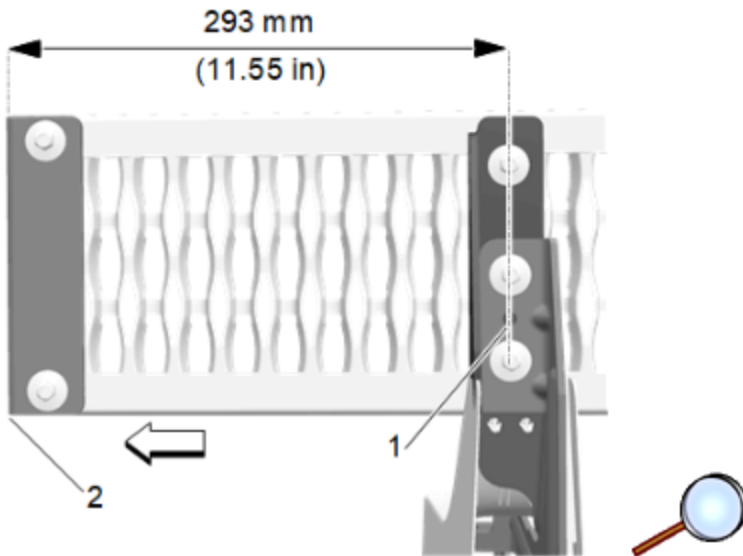
**Note:** Prior to installing step, make sure that the identifying notch (7) of strap bracket (5) is towards vehicle.

6. At the front vehicle bracket location, place the spacer plate (3) on the angle bracket (2). Place the step (4) on the angle brackets (2) while aligning to the holes of strap bracket (5). Install Black M8 bolt (1) and nut (6), make sure to use center inner hole towards vehicle on spacer plate. Leave bolt and nut loose for final alignment.

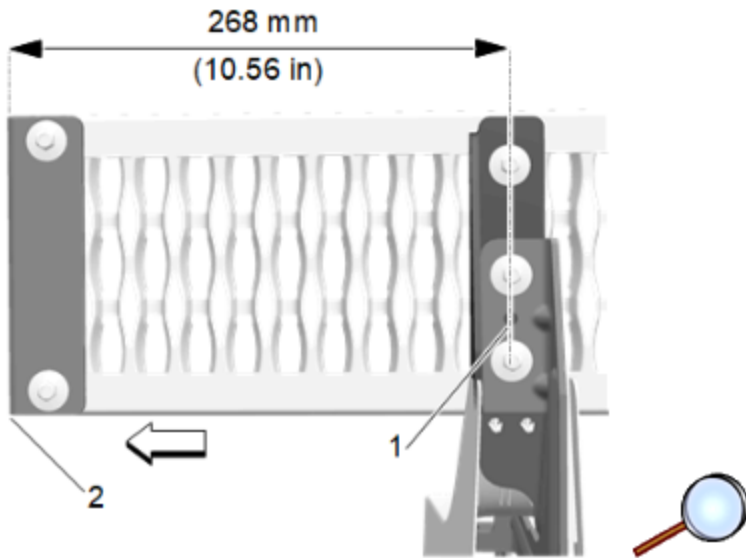


© 2025 General Motors. All rights reserved.

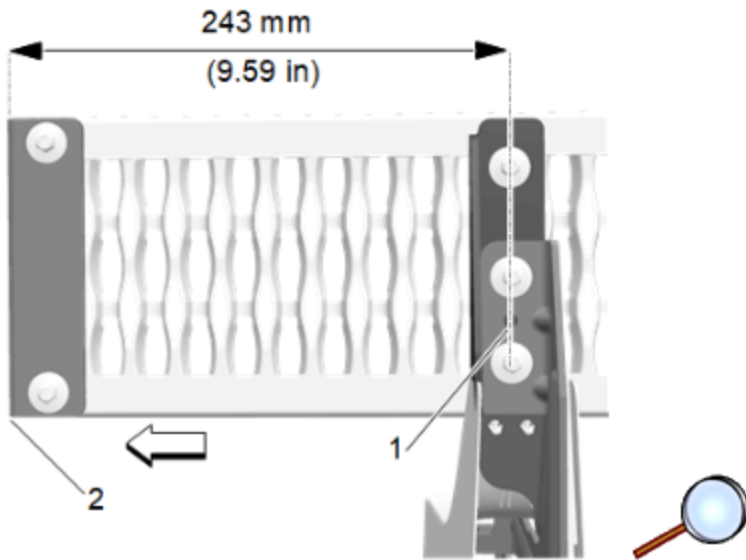
7. At the remaining vehicle bracket location, place the spacer plate (3) on the angle bracket (2). Place the step (4) on the angle brackets (2) while aligning to the holes of strap bracket (5). Install Black M8 bolt (1) and nut (6), make sure to use center inner hole towards vehicle on spacer plate. Leave bolt and nut loose for final alignment.
8. At the front vehicle bracket location on both sides of the vehicle, check the length from the end of the step (2) to the center of the bracket mounting holes (1) with the dimensions given below:



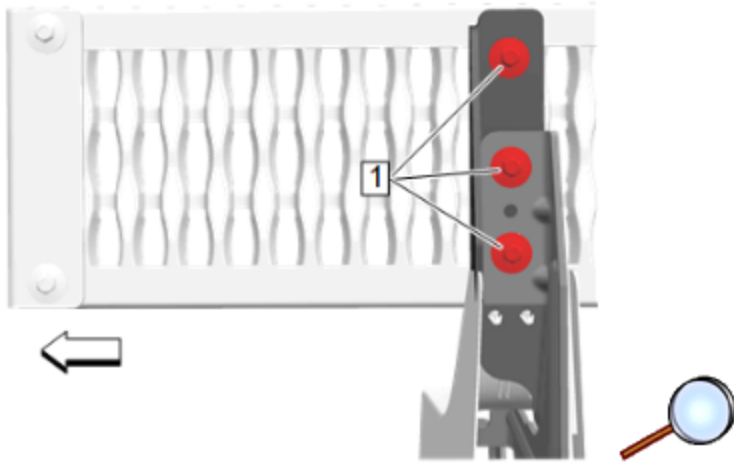
### 8.1. Crew Cab



8.2. Extended Cab

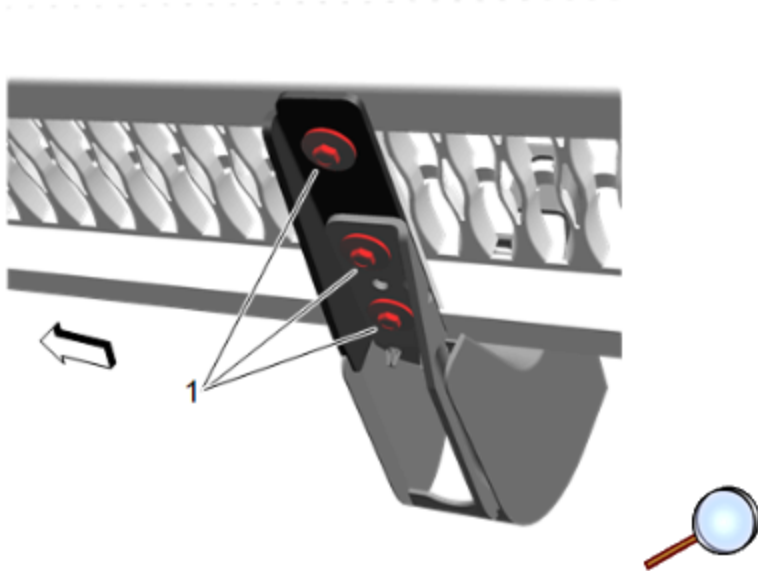


8.3. Regular Cab



9. When properly located tighten Black M8 bolts (1) to 25 N.m (18 lb ft).

© 2025 General Motors. All rights reserved.



10. At the remaining vehicle bracket locations, tighten the Black M8 bolts (1) to 25 N.m (18 lb ft).

11. Repeat all previous steps for opposite side assist step assembly.