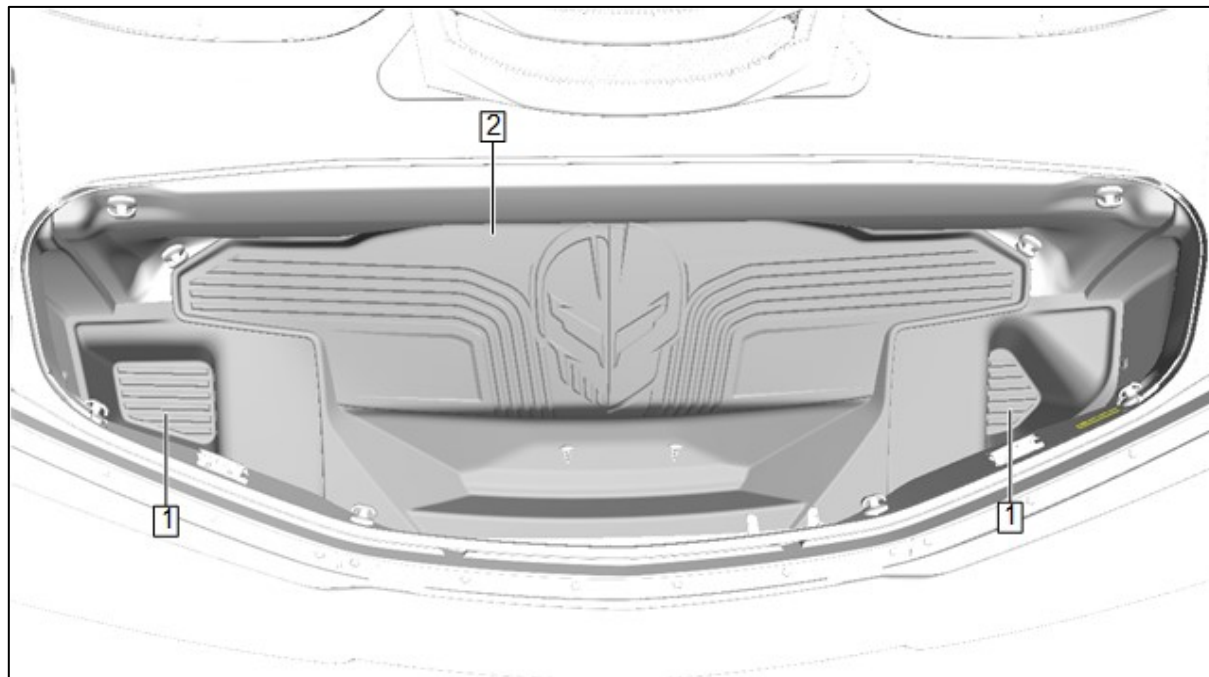
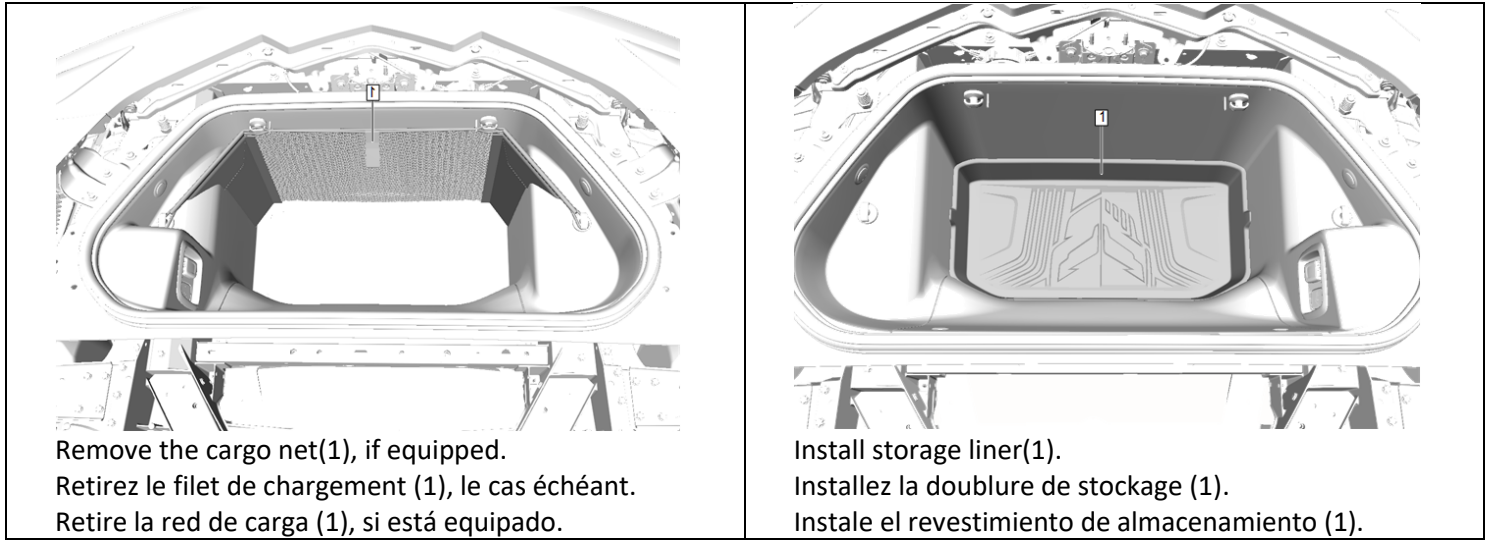


Accessory Storage Compartment Liner

Installation Procedure / Procédure d'installation / Procedimiento de instalación



1. Install the rear storage compartment liner bins(1).
2. Install the rear storage compartment liner(2) overlapping the storage bins.
1. Installez les bacs de revêtement du compartiment de rangement arrière (1).
2. Installez la doublure du compartiment de rangement arrière (2) en chevauchant les bacs de rangement.
1. Instale los compartimientos de revestimiento del compartimiento de almacenamiento trasero (1).
2. Instale el forro del compartimiento de almacenamiento trasero (2) superponiendo los contenedores de almacenamiento.

Accessory Floor Liner

IR 17MR20

PART No.
84928857

SHEET
1 of 1

ALL INFORMATION WITHIN ABOVE BORDER TO BE PRINTED EXACTLY AS SHOWN ON 8.5 x 11 WHITE 16 POUND NON-BOND RECYCLABLE PAPER. PRINT ON BOTH SIDES, EXCLUDING TEMPLATES. TO BE UNITIZED IN ACCORDANCE WITH GMCCA SPECIFICATIONS.

Date	Revision	Auth	DR
17MR20	Init Rel - Kyle Herfert	NA	

Title **Installation Instructions**
Accessory Floor Liner

PART No. **84928857**

SHEET 1 of 1