

# Body Emblem Package Installation

## Installation Instructions Part Number

84940356

### Kit Contents

QTY	Description
1	Illuminated Emblem Assembly Bowtie
1	Harness Assembly
1	Harness Attachment Package <ul style="list-style-type: none"><li>• 5 Wiring Harness clips</li><li>• 3 Cable ties</li></ul>

© 2026 General Motors. All rights reserved.

### Tools Required

Safety GEAR

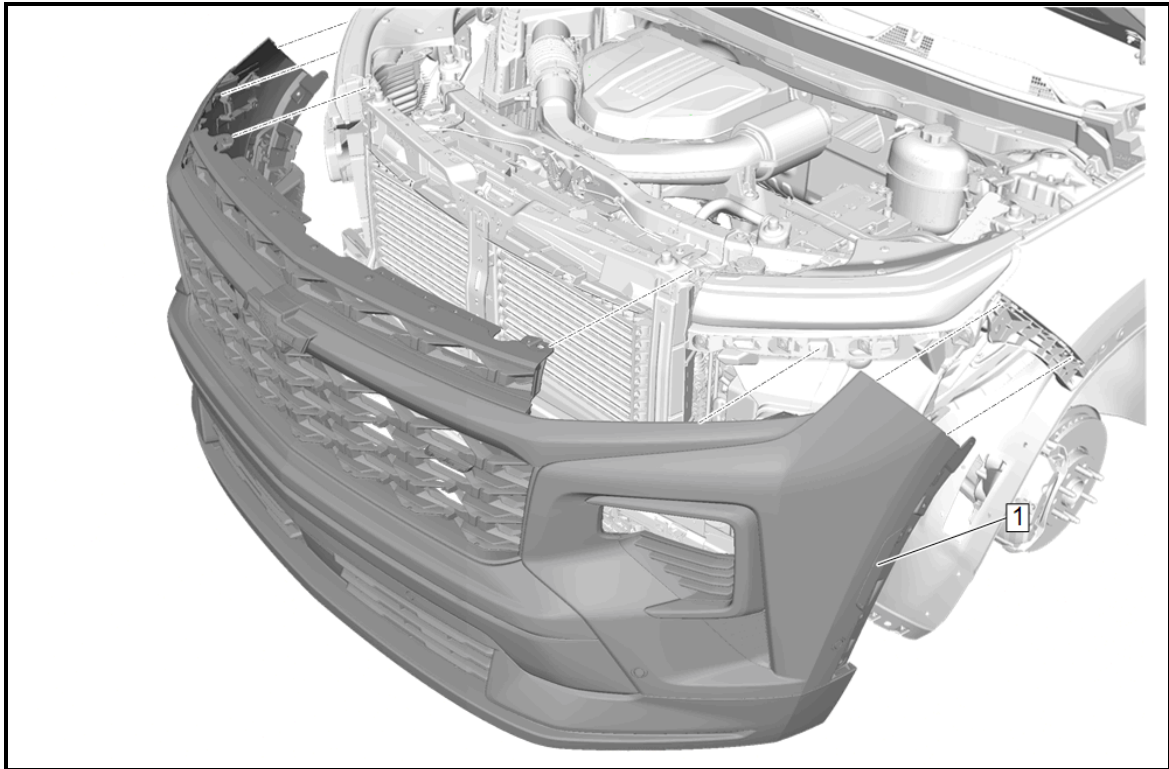
Driver

Socket

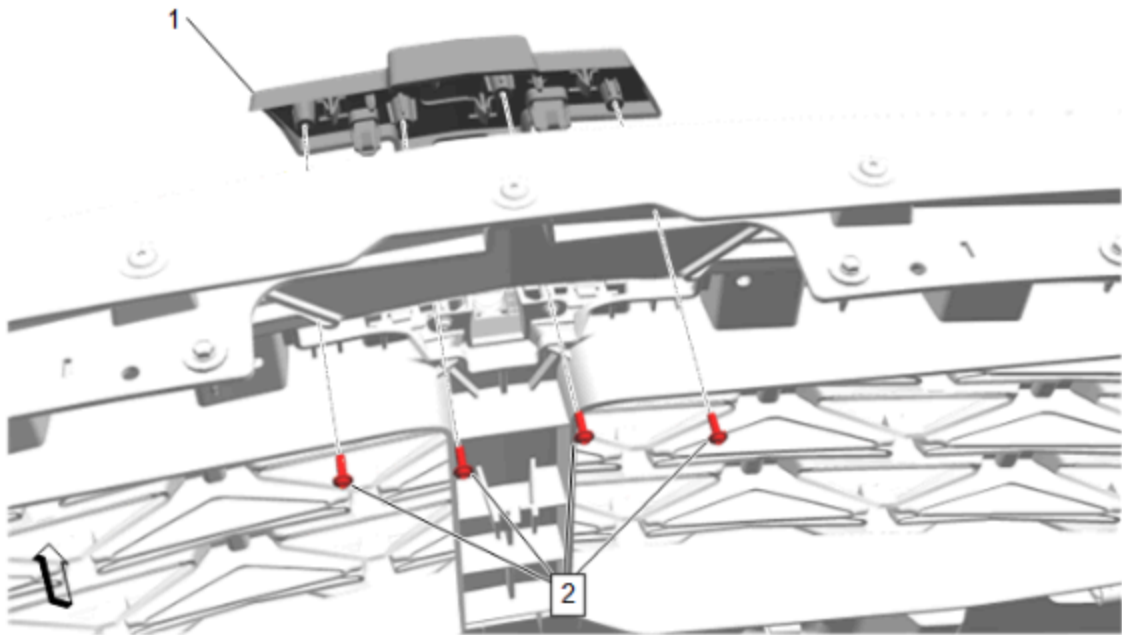
Trim Removal Tool

### Procedure

1. Disconnect the battery negative cable. [Battery Negative Cable Disconnection and Connection](#)

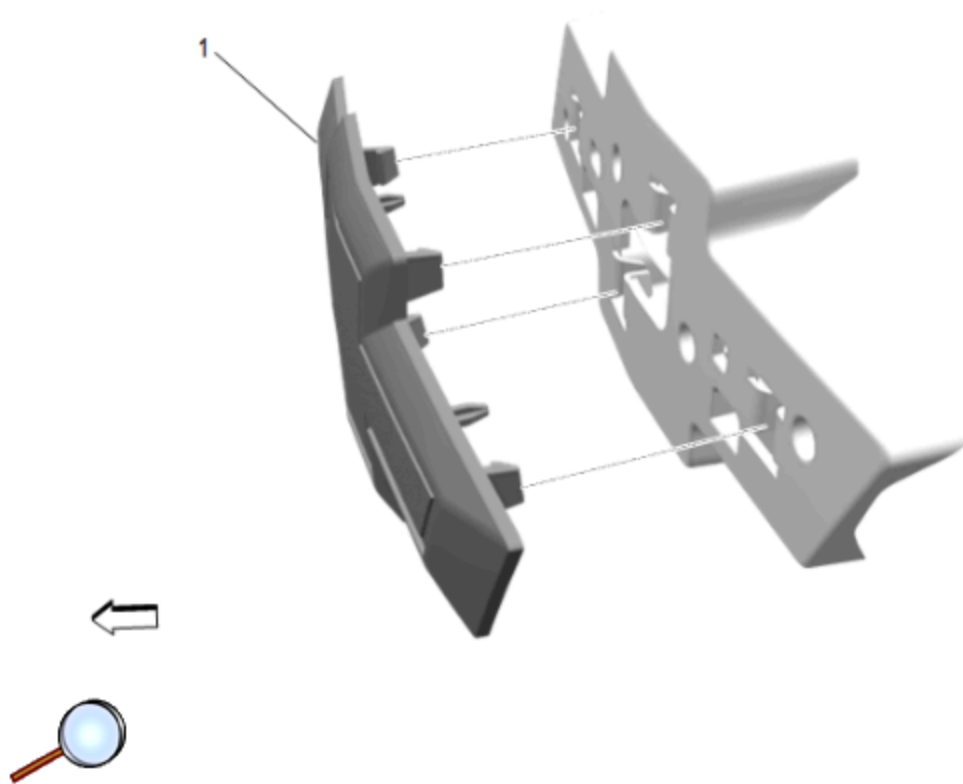


2. Front Bumper Fascia (1) » Remove — [Front Grille Emblem/Nameplate Replacement](#)



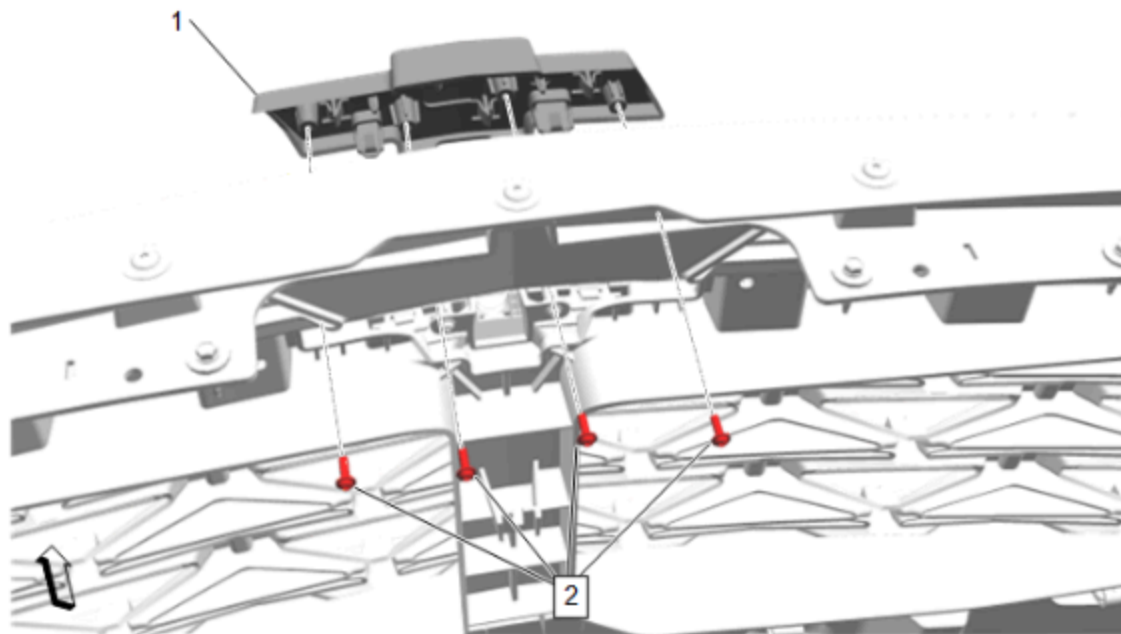
3. Front Outer Grille Opening Bezel Bolt (2) » Remove [4x]

4. Front Grille Adapter (1) » Remove



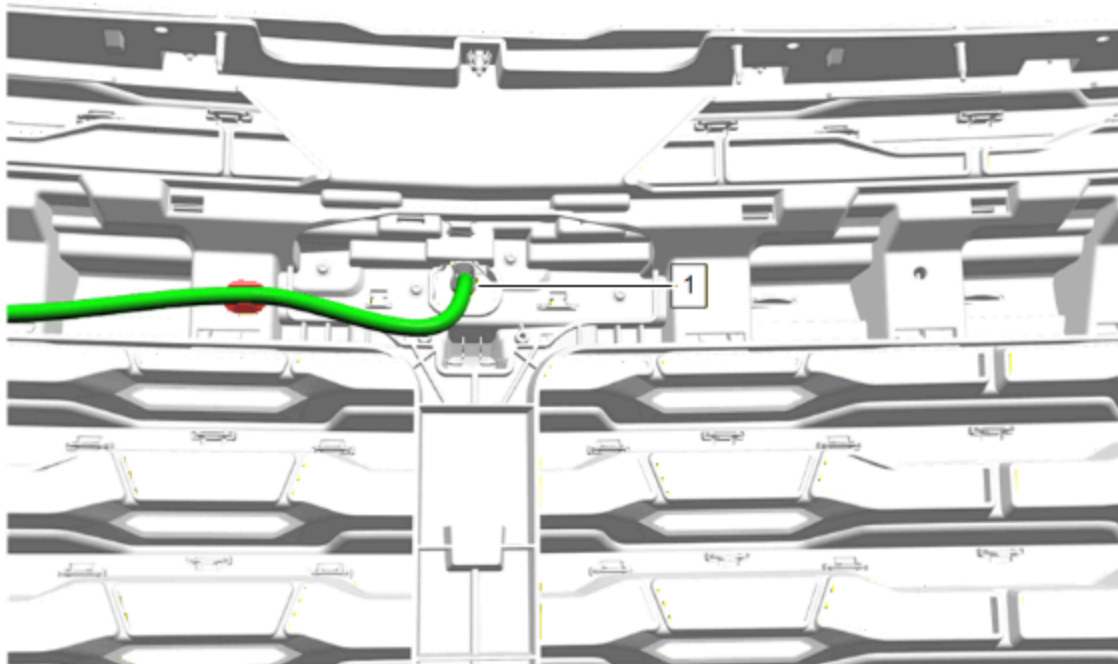
5. Using a suitable plastic trim tool, release the retaining tab.

6. Front Grille Emblem (1) » Remove

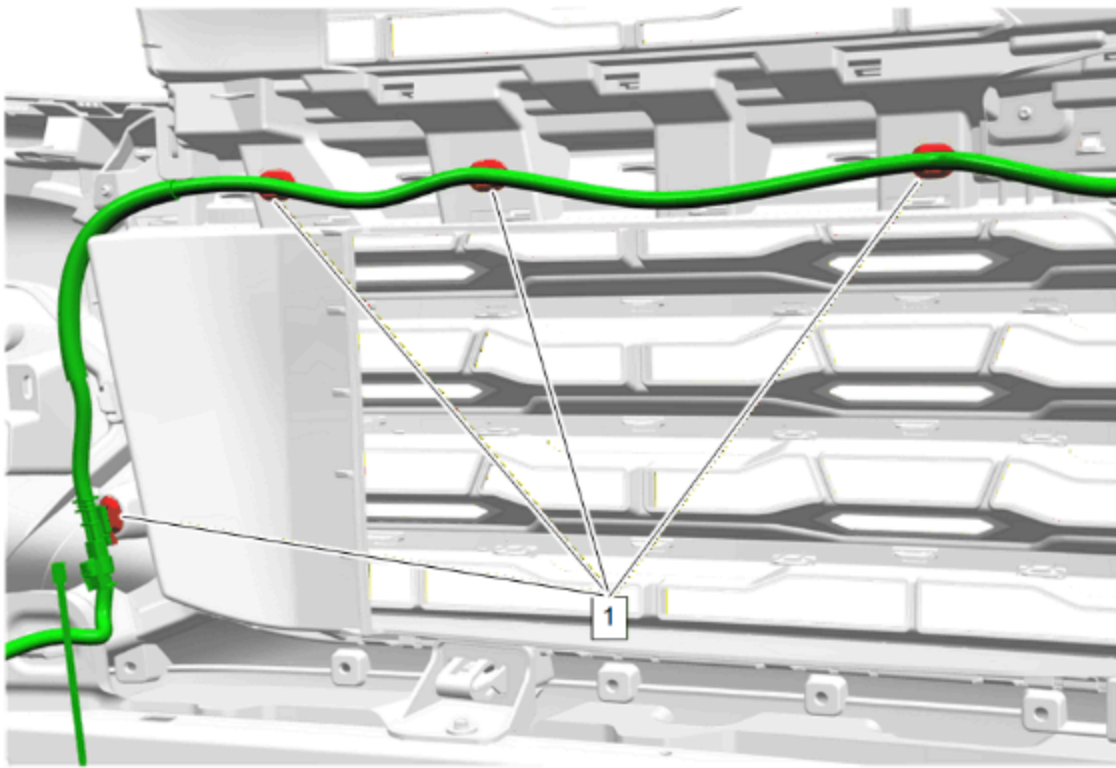


7. Front Grille Adapter (1) » Install

8. Front Outer Grille Opening Bezel Bolt (2) » **2.5 N•m (22 lb in)** [4x]

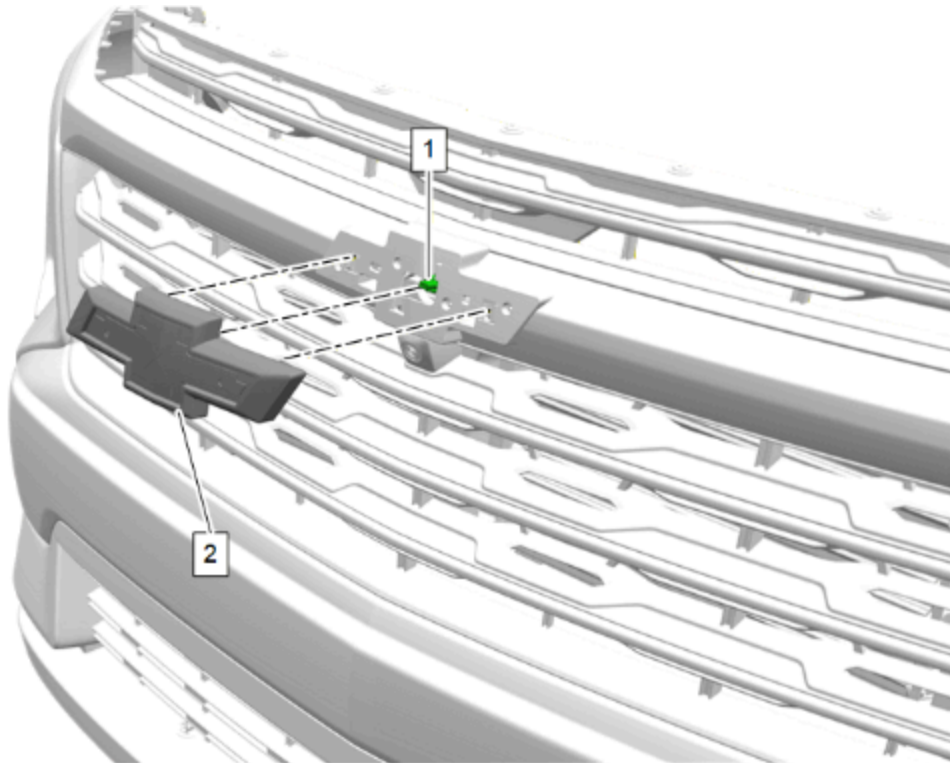


9. Position the Front Grille Illuminated Emblem Connector. (1)



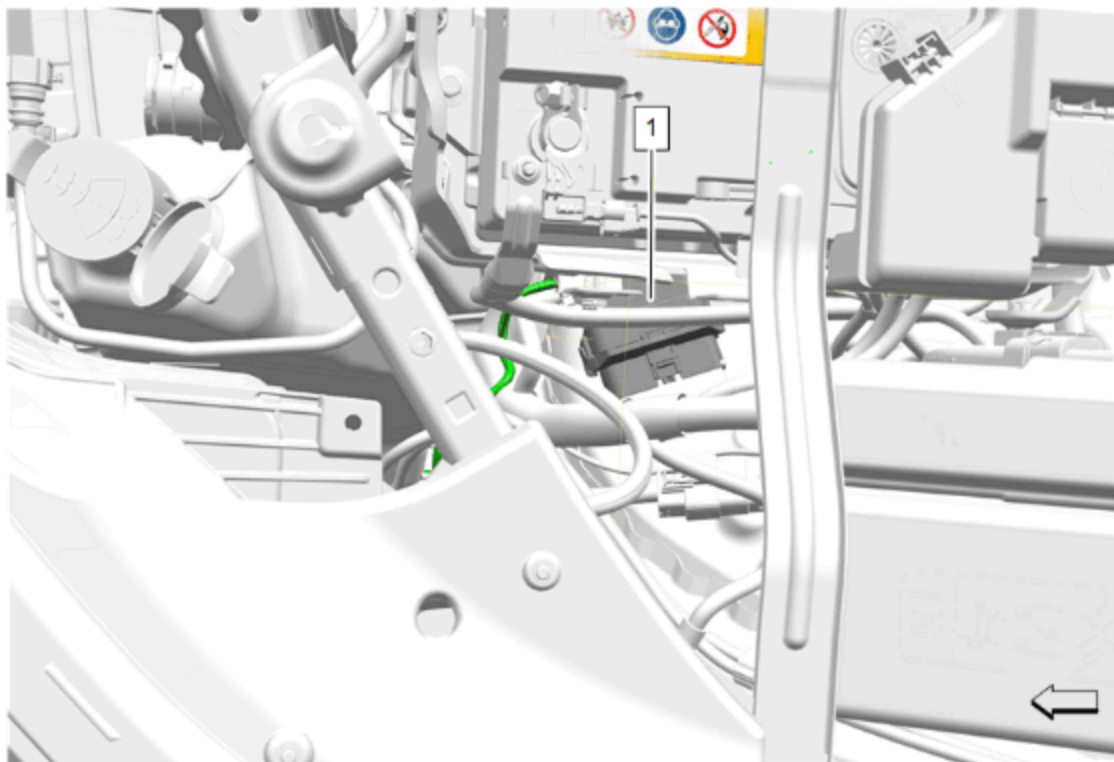
© 2026 General Motors. All rights reserved.

10. Install the wiring harness clips (1) into the holes of grille. [5x]



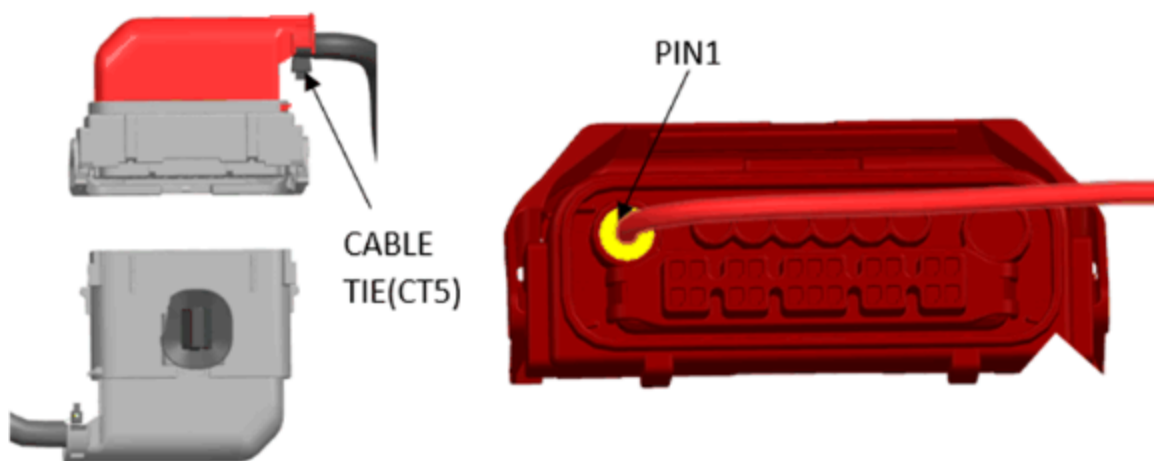
11. Connect the Front Grille Illuminated Emblem Connector. (1)

12. Front Grille Illuminated Emblem (2) » Install

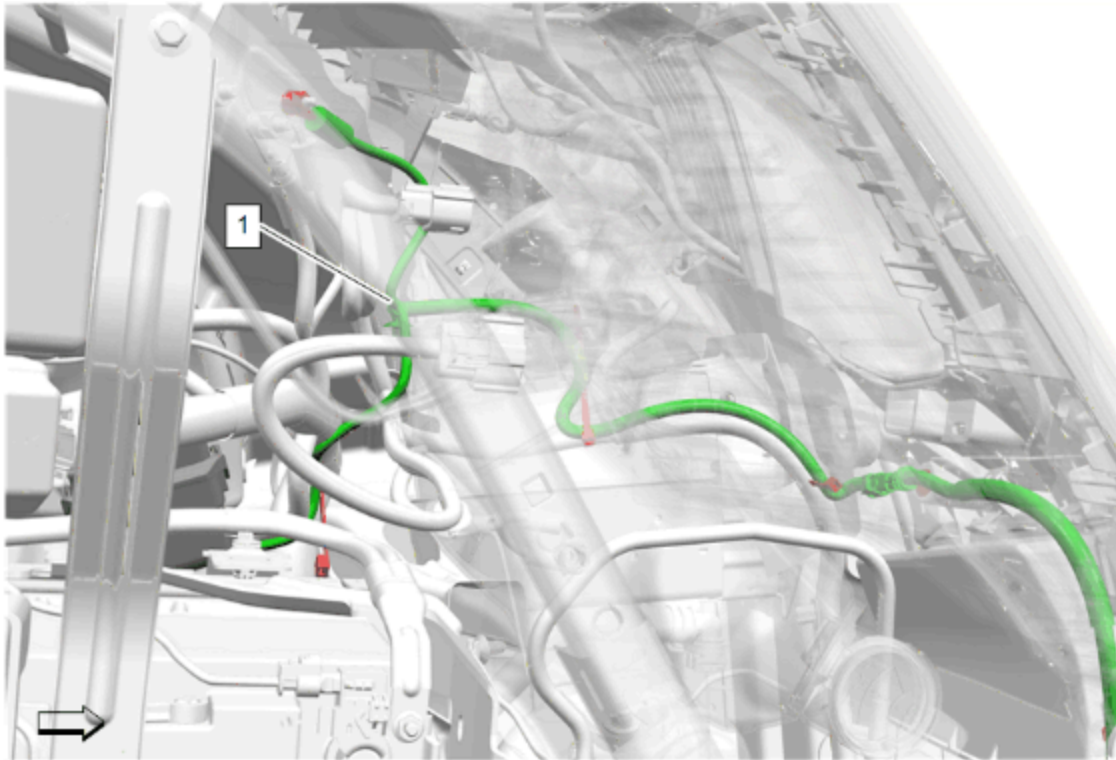


© 2026 General Motors. All rights reserved.

13. Find the vehicle inline connector (1) closed to the battery bracket as below. Use removal tool to pull it out of the panel.

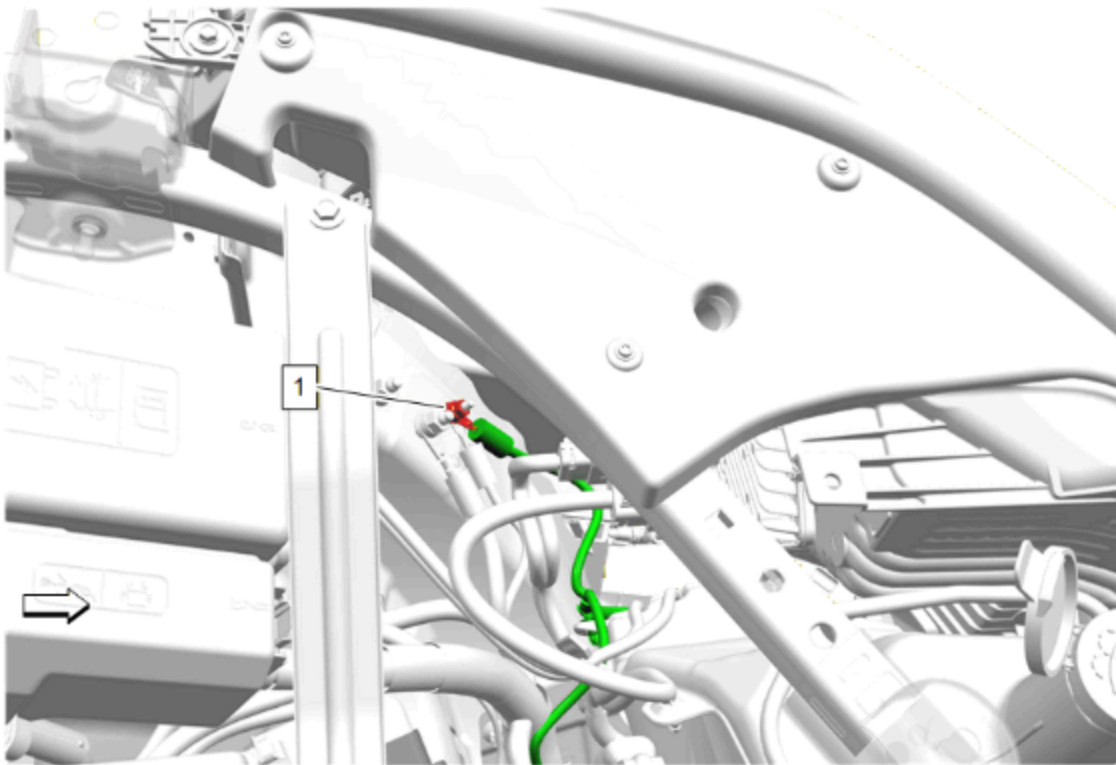


14. Disconnect X103 engine harness connector from the body harness connector Refer to [Inline Harness Connector End Views](#) in Vehicle Service Manual for connector disconnection.
15. Remove the dress cover.
16. Insert the connector terminal into the vehicle connector on Pin cave 1.
17. Connect inline connector.

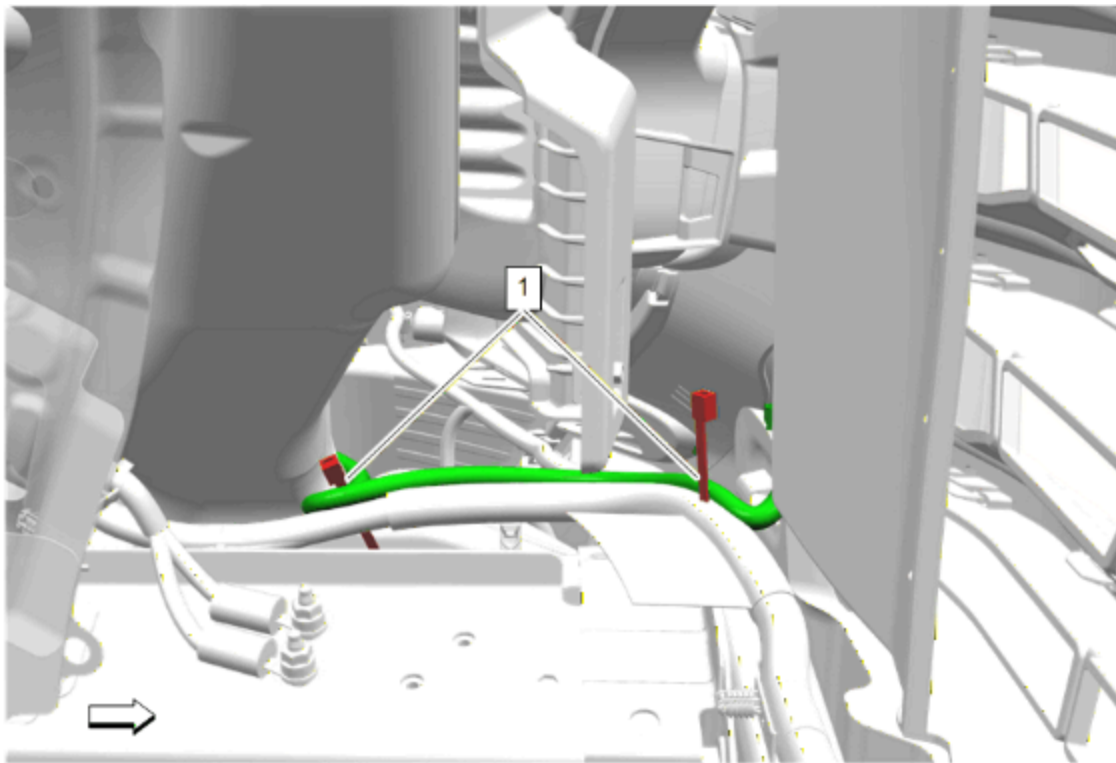


© 2026 General Motors. All rights reserved.

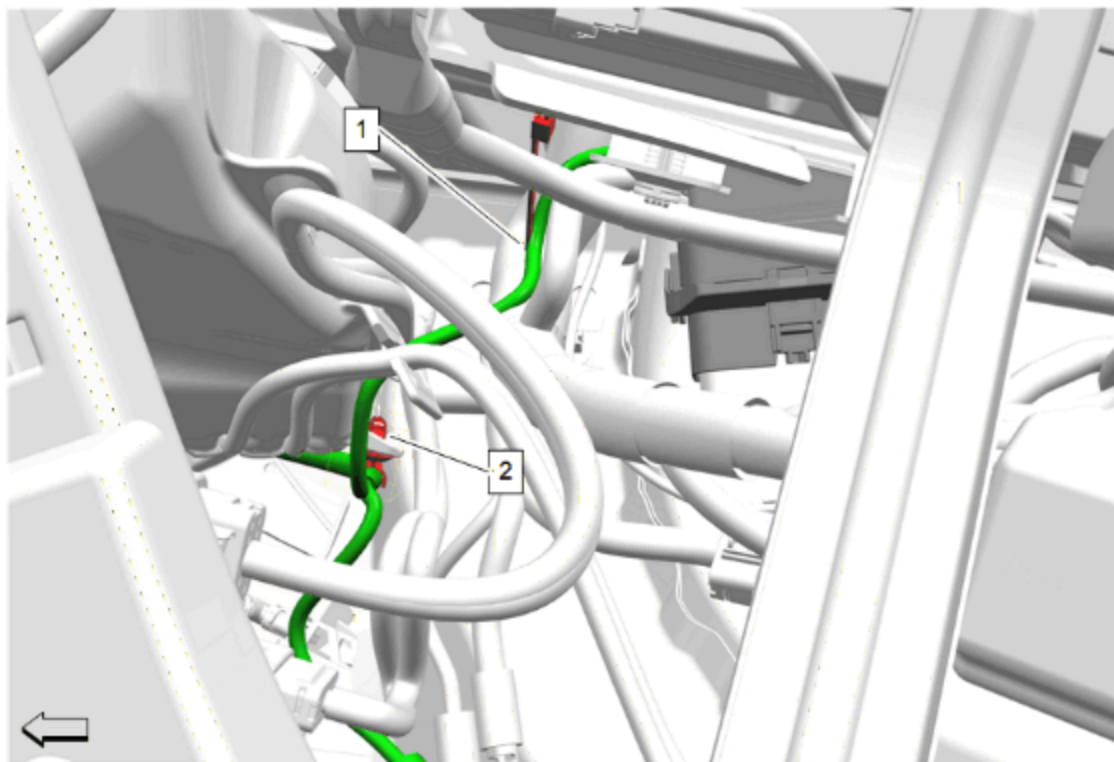
18. Route the emblem harness. (1)



19. Remove the bolt (1) and attach the ground ring terminal to the existing ground terminal. Reinstall bolt and tighten to **9 N•m (80 lb in)**.

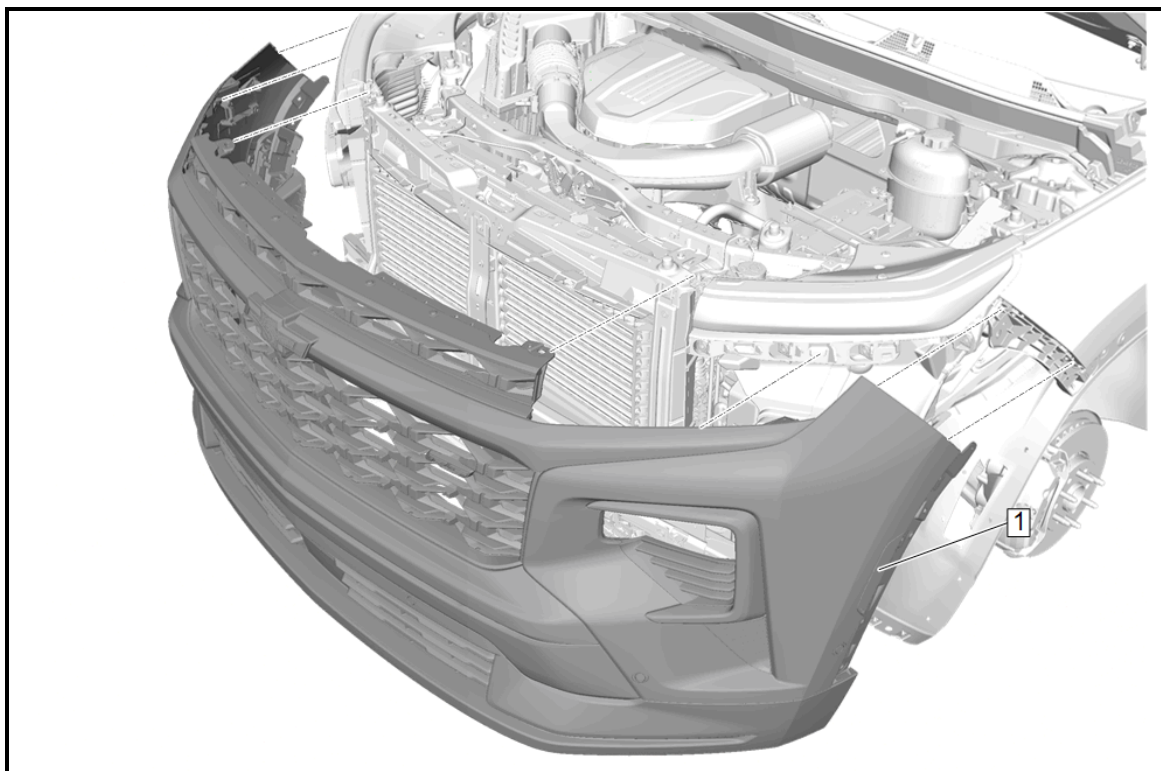


20. Use the included cable tie (1) to secure the wiring harness Trim excess off cable tie. [2x]



21. Use the included cable tie to secure the wiring harness Trim excess off cable tie. (1)

22. Install the wiring harness clip. (2)



23. Front Bumper Fascia (1) » Install — [Front Grille Emblem/Nameplate Replacement](#)

24. Connect the battery negative cable. [Battery Negative Cable Disconnection and Connection](#)