

Front Fender Mud Guard Package Installation (Instruction ID: 84944126)

[Installation Instructions Part Number](#)

84944126

Note: This splash guard requires wheel opening molding to install.

Please read instructions thoroughly before starting.

Kit Contents

Qty	Description
1	Left Hand Splash Guard
1	Right Hand Splash Guard
2	Screw
2	Washer
2	U Nut
2	Rivet
1	Instruction Sheet

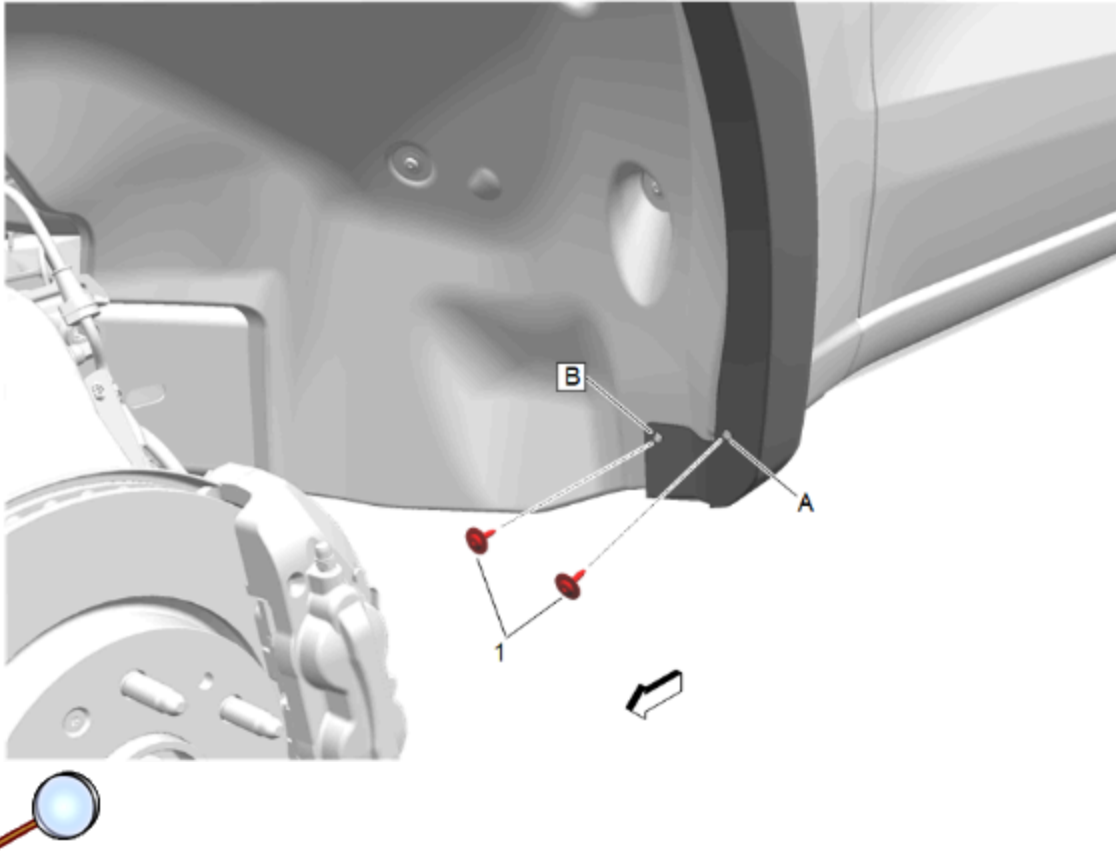
© 2024 General Motors. All rights reserved.

[Special Tools](#)

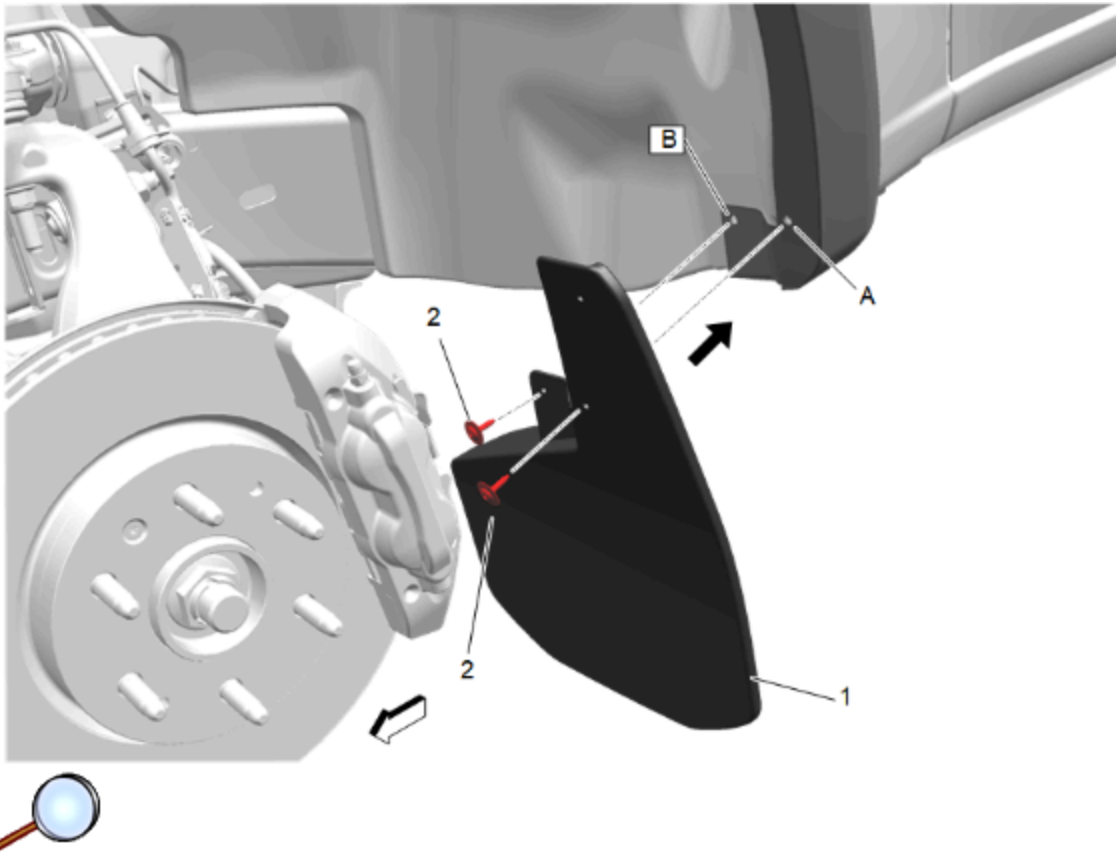
- T15 Torx Screwdriver
- 5mm (13/64") Drill Bit/Drill
- Rivet Gun
- Awl

[Procedure](#)

1. Remove the front wheel and tire assembly. Refer to [Tire and Wheel Removal and Installation](#) in Vehicle Service Manual.
2. Clean and degrease body panel where splash guards are to be located.



3. Remove and retain existing screws (1) at locations **A and B**.

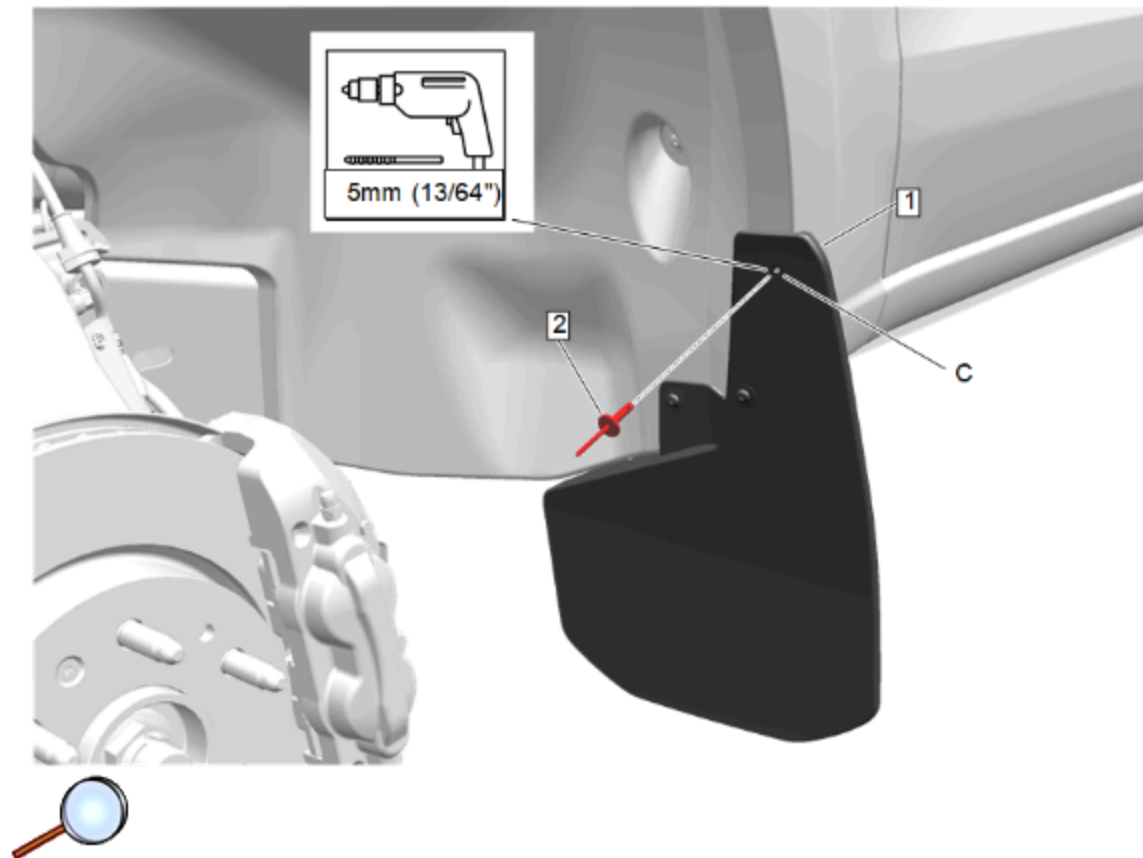


Caution: Use the correct fastener in the correct location. Replacement fasteners must be the correct part number for that application. Fasteners requiring replacement or fasteners requiring the use of thread locking compound or sealant are identified in the service procedure. Do not use paints, lubricants, or corrosion inhibitors on fasteners or fastener joint surfaces unless specified. These coatings affect fastener torque and joint clamping force and may damage the fastener. Use the correct tightening sequence and specifications when installing fasteners in order to avoid damage to parts and systems.

- Place splash guard (1) to vehicle by aligning splash guard locating nubs with inboard edge of wheel opening molding and re-install retained screws (2) at locations **A and B**.

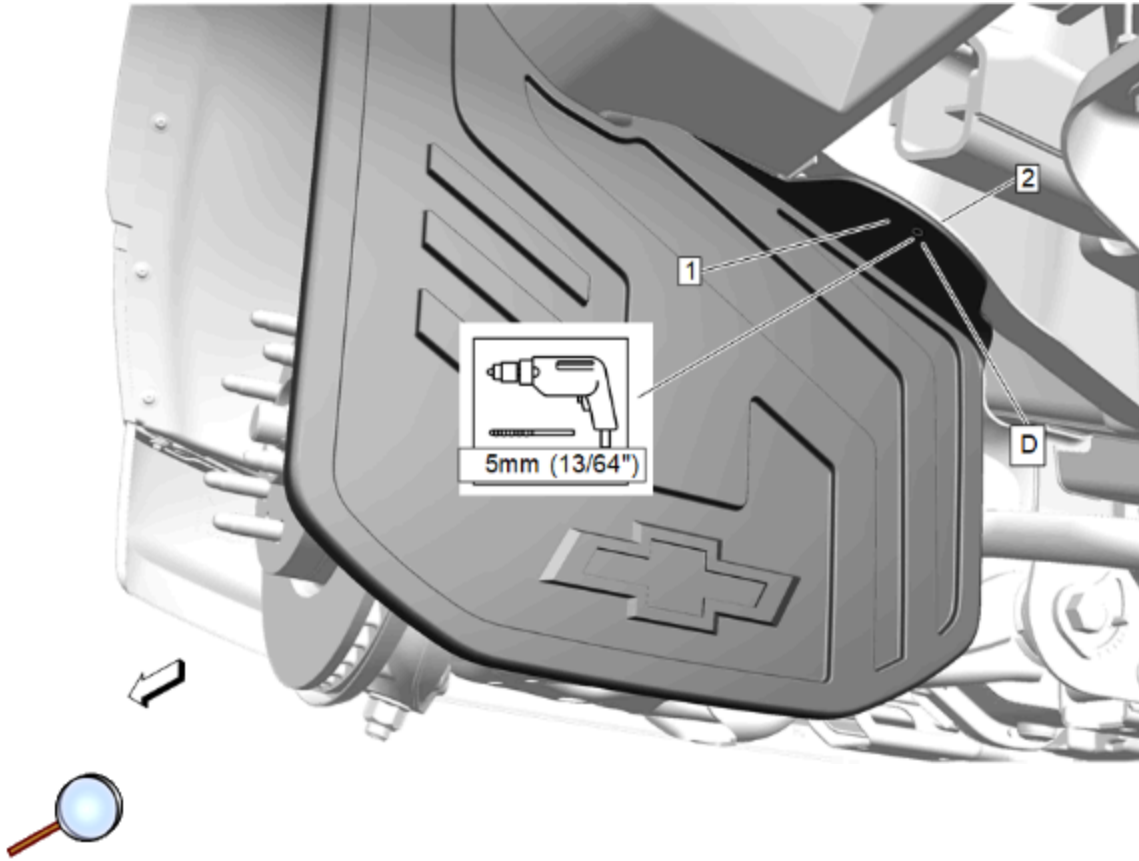
Tighten

Tighten screws to 3.0 N.m (2.0 lb ft)

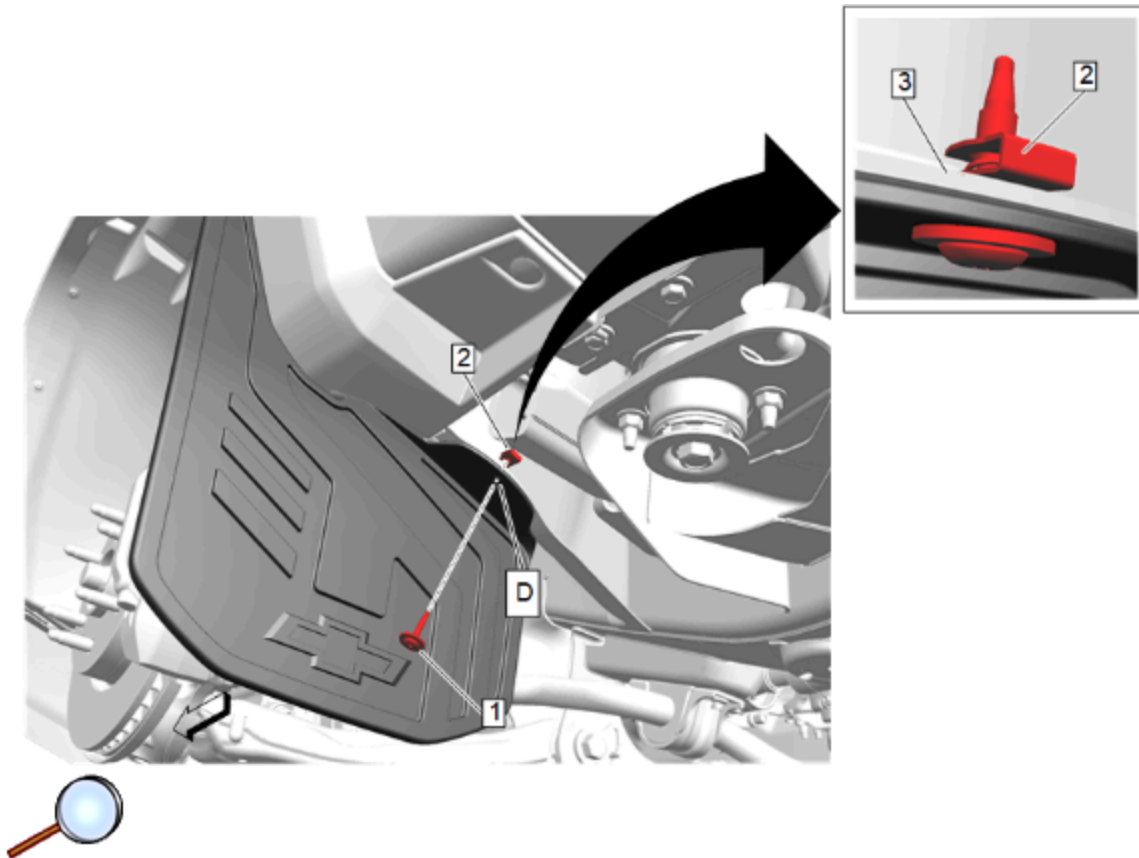


Caution: Always check size and position of all holes before drilling. Failing to do so may cause damage to the vehicle, misalignment of components or the inability to install the accessory.

- While using the splash guard hole as a template, carefully drill a 5mm (13/64 inch) hole at location (C). The hole should be drilled through the splash guard (1) and wheel opening molding.
- Install supplied rivet (2) at location (C).



7. Take note of scribe line, using a 5mm (13/64") drill bit carefully drill a hole through splash guard (1) and wheel liner (2) at location (D).



Note: INSTALL SUPPLIED U-NUT WITH TURNED UP EDGE ON TOP SIDE OF WHEEL LINER.

8. Install supplied screw (1) , washer and U-nut (2) at location **(D)**. The U-nut (2) should be used as a nut above the wheel liner (3).

Tighten

Tighten supplied screw to 3.0 N.m (2.0 lb ft)

9. Install the front wheel and tire assembly. Refer to [Tire and Wheel Removal and Installation](#) in Vehicle Service Manual.
10. Repeat procedure for other side.
11. Guards can be cleaned with any commercially available cleaner.