

Front Fender Mud Guard Package Installation (Instruction ID: 84944134)

Installation Instructions Part Number

84944134

Please read instructions thoroughly before starting.

Kit Contents

Qty	Description
1	Left Hand Splash Guard
1	Right Hand Splash Guard
6	Screw
2	Washer
4	U Nut
2	Rivet
2	Push-in Retainer
1	Instruction Sheet

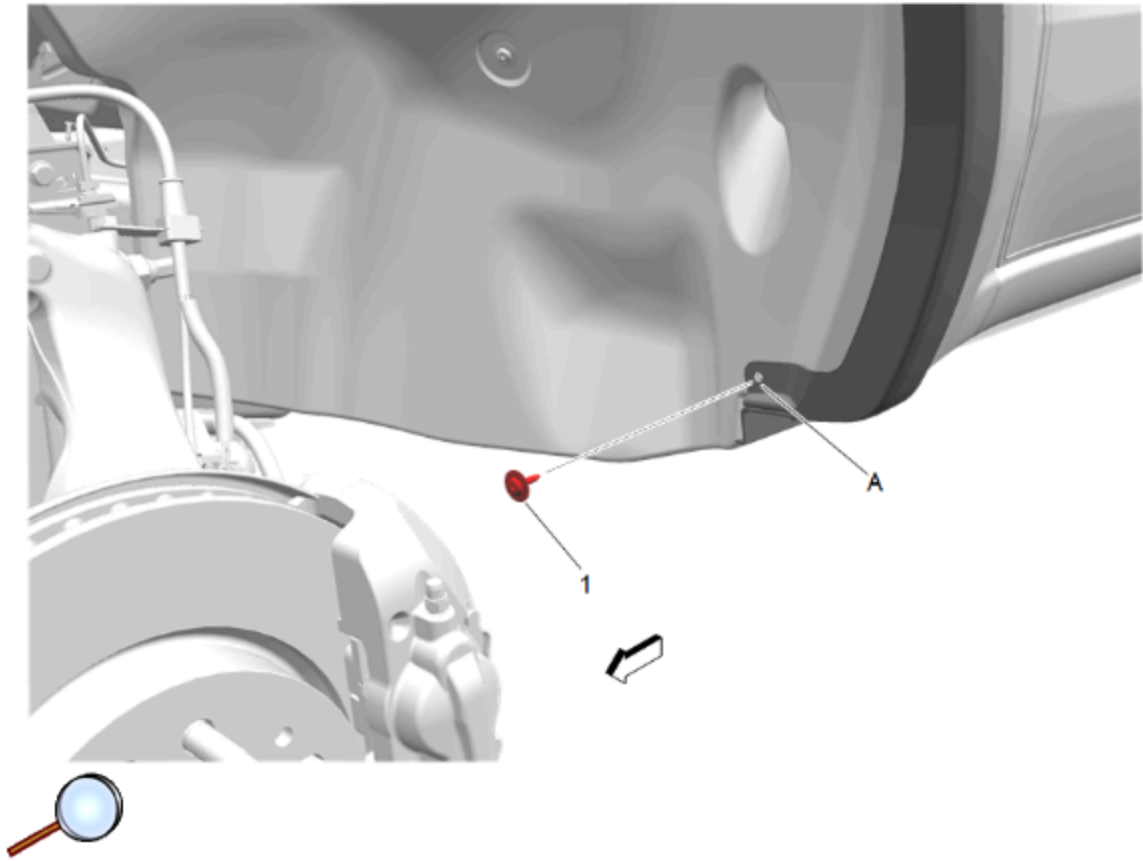
© 2025 General Motors. All rights reserved.

Special Tools

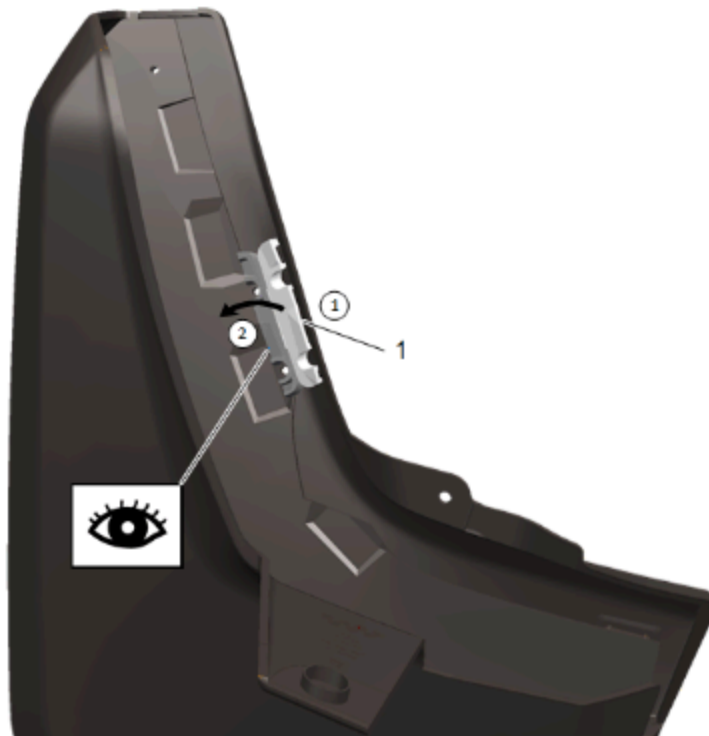
- T15 Torx Screwdriver
- 5mm (13/64") Drill Bit
- 7mm Drill Bit
- Drill
- Plastic Retainer Removal Tool
- Rivet Gun
- Awl
- Clean Cloth/Rag

Procedure

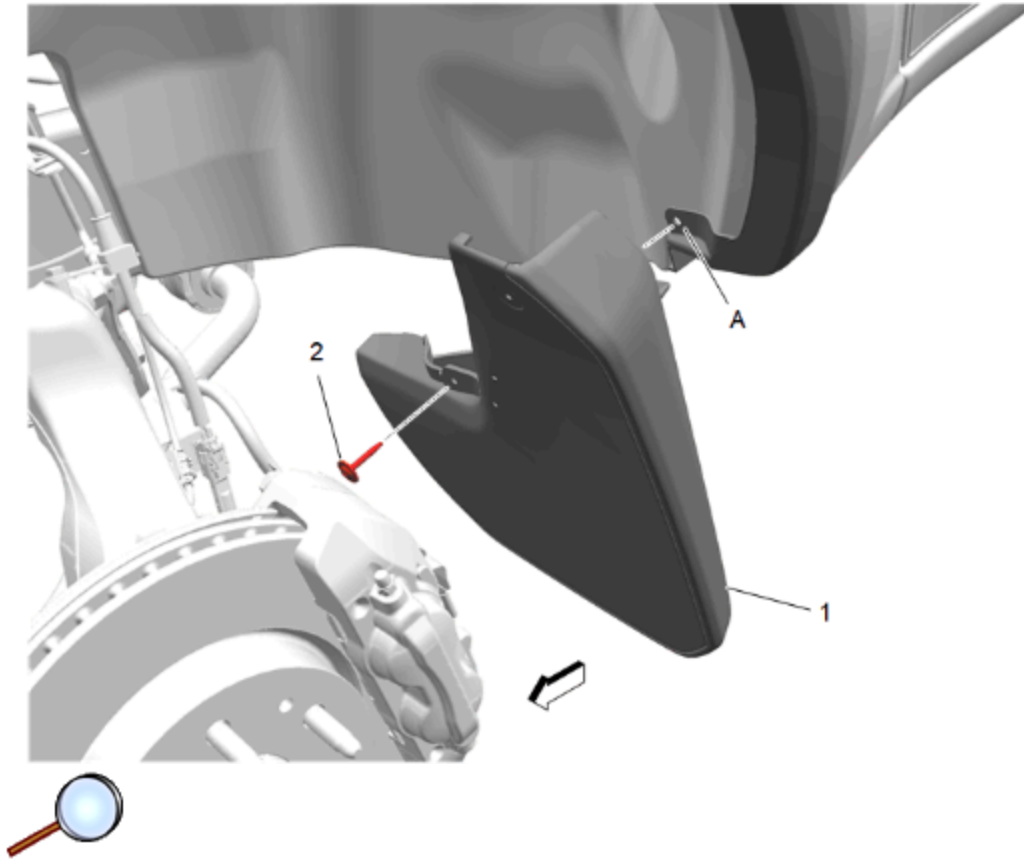
1. Remove the front wheel and tire assembly. Refer to [Tire and Wheel Removal and Installation](#) in Vehicle Service Manual.
2. Clean and degrease body panel where splash guards are to be located.



3. Remove and discard existing screw (1) at location **A**.



4. Fold the living hinge (1) to the closed position.

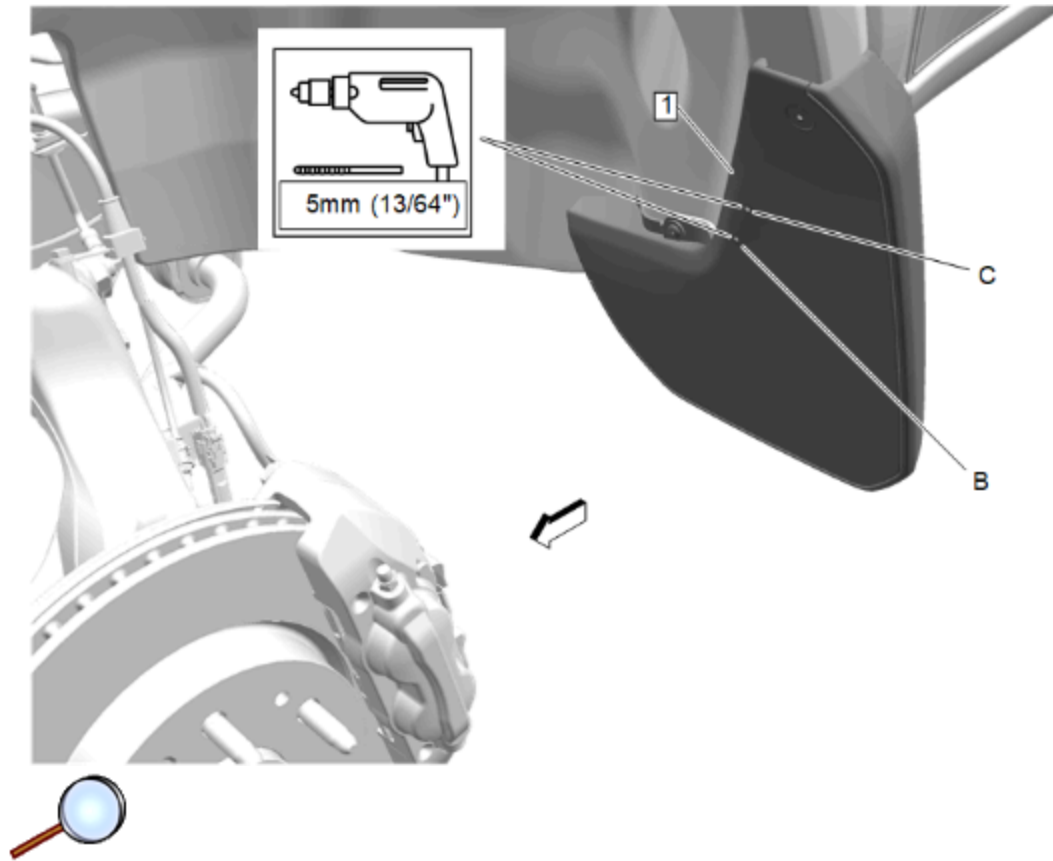


Caution: Use the correct fastener in the correct location. Replacement fasteners must be the correct part number for that application. Fasteners requiring replacement or fasteners requiring the use of thread locking compound or sealant are identified in the service procedure. Do not use paints, lubricants, or corrosion inhibitors on fasteners or fastener joint surfaces unless specified. These coatings affect fastener torque and joint clamping force and may damage the fastener. Use the correct tightening sequence and specifications when installing fasteners in order to avoid damage to parts and systems.

5. Place splash guard (1) to vehicle taking care to remove any gaps and install supplied screw (2) and washer at location **(A)**.

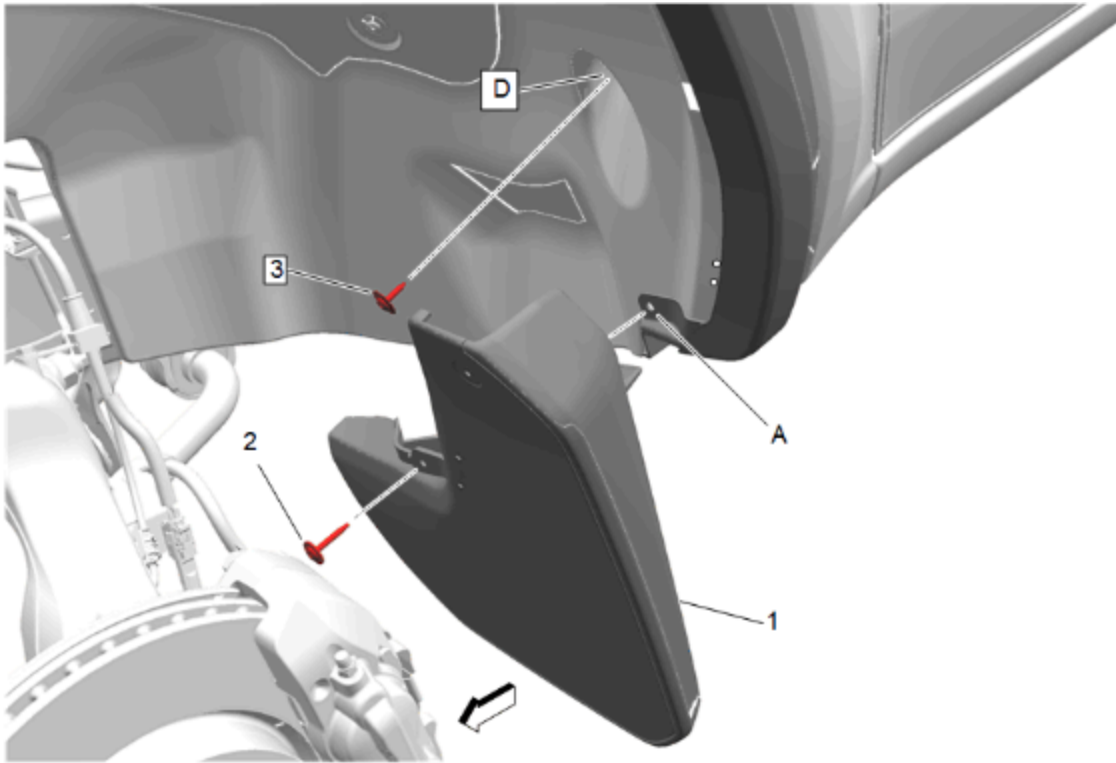
Tighten

Tighten screw to 3.0 N.m (2.0 lb ft)

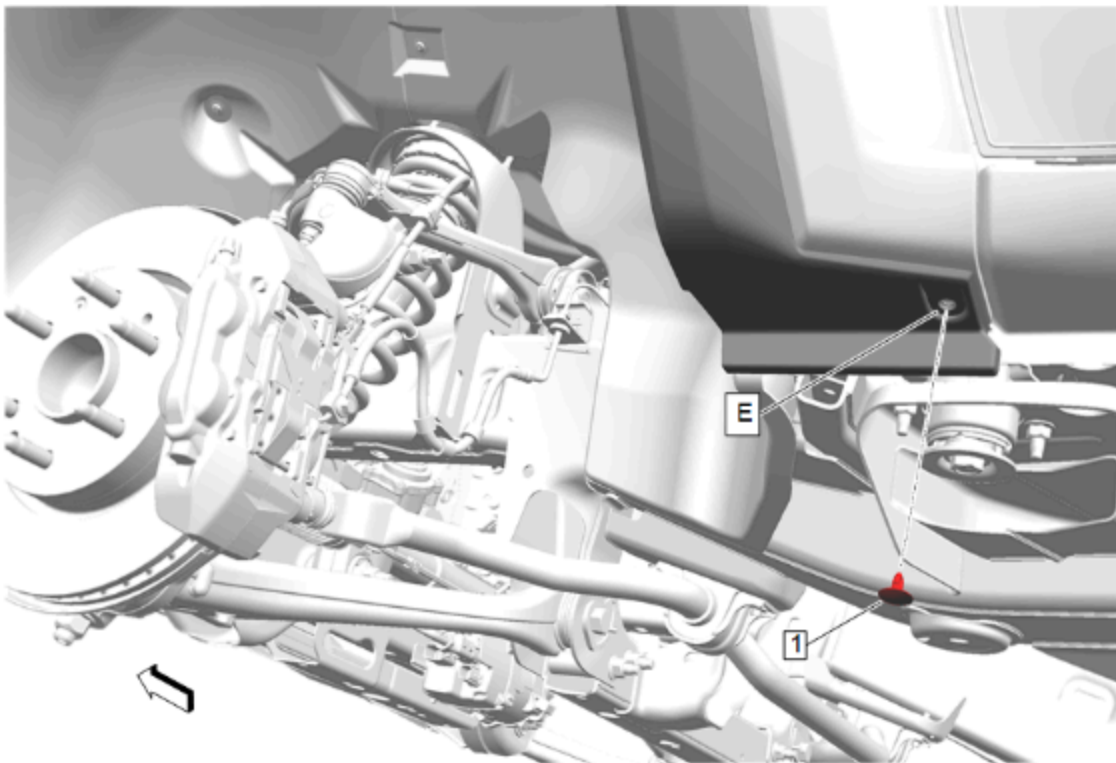


Caution: Always check size and position of all holes before drilling. Failing to do so may cause damage to the vehicle, misalignment of components or the inability to install the accessory.

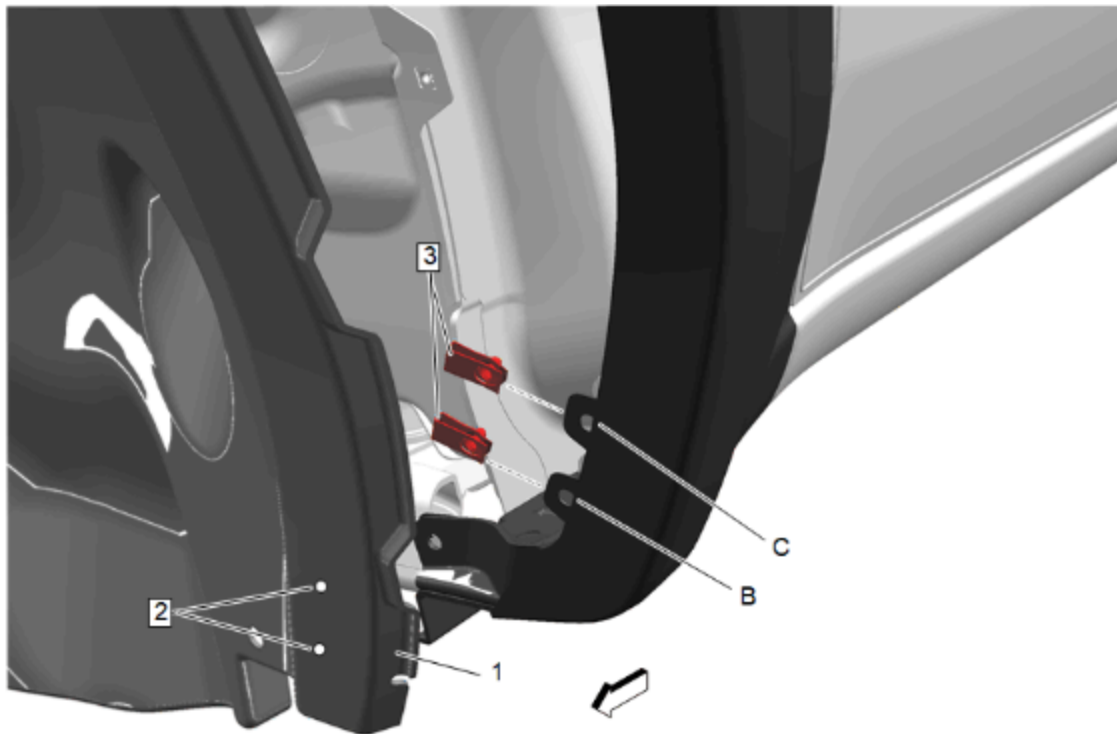
6. While holding the splash guard (1) tight to vehicle, carefully drill a 5mm (13/64") hole through splash guard and wheel liner at locations **(B)** and **(C)**.



7. Remove and retain screw (2) and washer at location **(A)** and splash guard (1).
8. Remove and retain existing screw (3) at wheel liner location **(D)**.

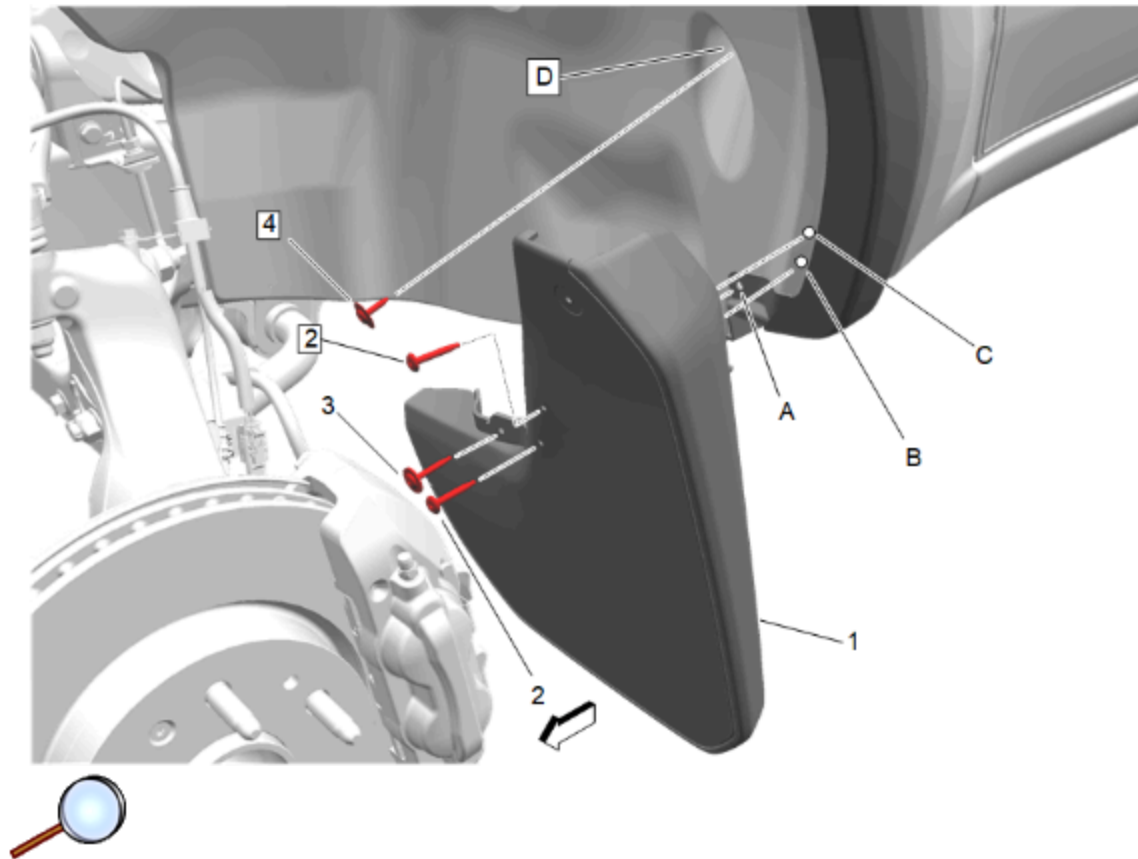


9. Remove and discard push-pin (1) at location **(E)**.



10. Reposition wheel liner (1) and install supplied U-nuts (3) on sheet metal tabs at locations **(B)** and **(C)**.

11. Return wheel liner (1) to original position, verify that holes (2) drilled in wheel liner in step 6 match original position.



12. Reinstall retained wheel liner screw (4) at location **(D)**.

Tighten

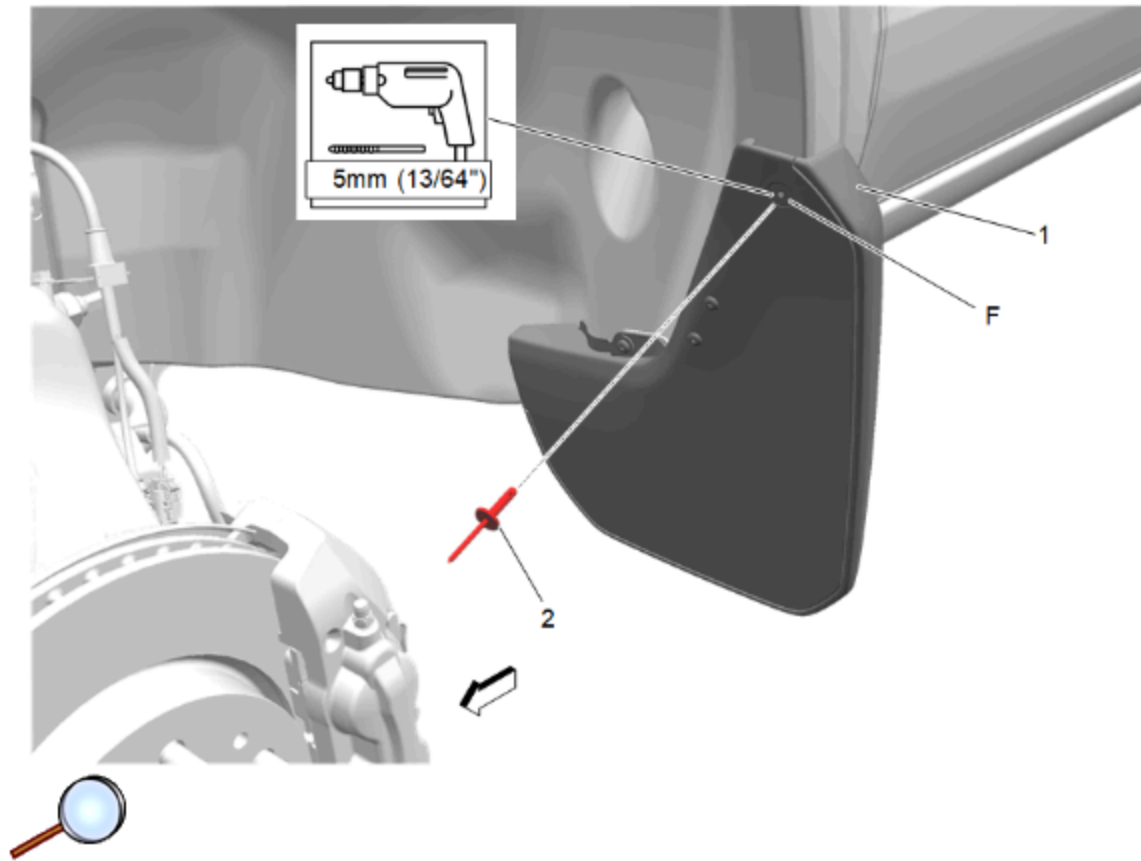
Tighten screw to 3.0 N.m (2.0 lb ft)

Note: Make sure living hinge on splash guard is folded in the closed position.

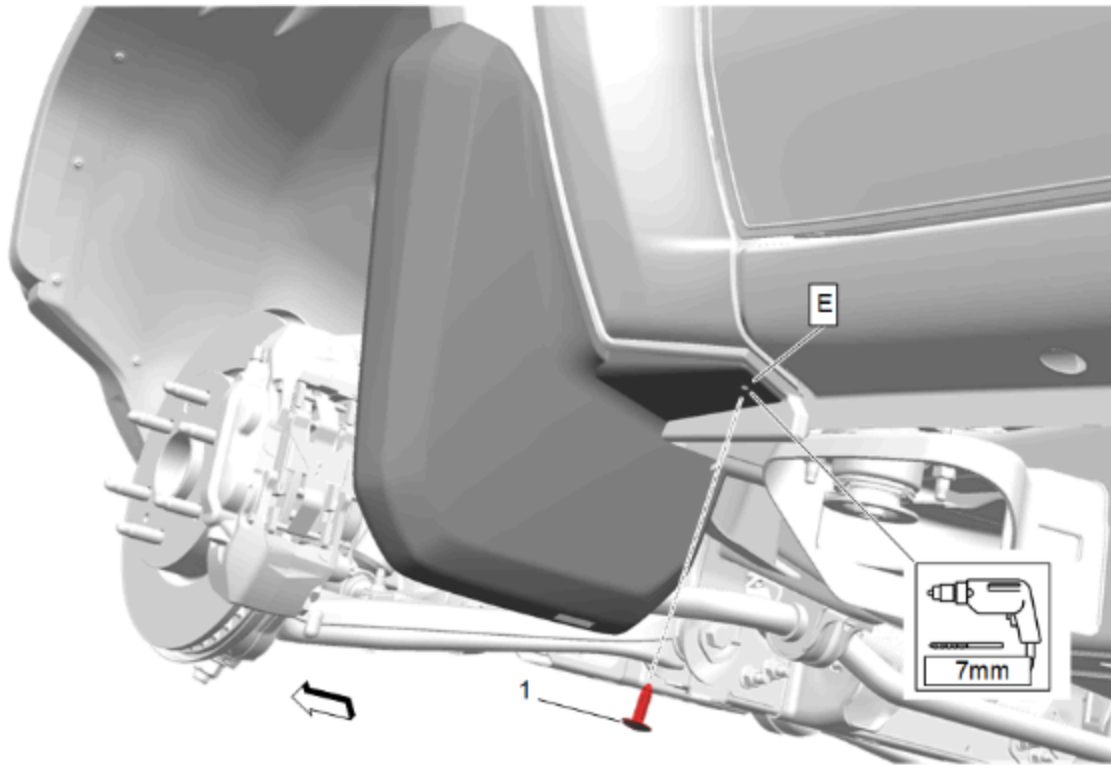
13. Place splash guard (1) to vehicle taking care to provide consistent alignment to vehicle and install supplied screw (3) and washer at location **(A)** and supplied screws (2) without washers at locations **(B)** and **(C)**.

Tighten

Tighten screws to 3.0 N.m (2.0 lb ft)



14. While holding splash guard (1) tight to vehicle to remove any gaps, drill a 5mm (13/64") hole at location **(F)**. The hole should be drilled through the splash guard and wheel opening molding.
15. Install supplied rivet (2) at location **(F)**.



16. Drill an oversize hole with 7mm drill bit at location **(E)**.

Note: Make sure wheel flare clips are engaged and wheel flare fits flush to fender prior to installing push pin.

17. Install supplied push-pin (1) at location **(E)**.

18. Install the front wheel and tire assembly. Refer to [Tire and Wheel Removal and Installation](#) in Vehicle Service Manual.

19. Repeat procedure for other side.

20. Guards can be cleaned with any commercially available cleaner.