

Body Emblem Package Installation

Installation Instructions Part Number

84951515

Kit Contents

Qty	Description
2	Emblem (Side Doors) - "HEV"
1	Emblem (Endgate) - "HUMMER"
—	Alcohol Wipes
1	Installation Instructions

Tools Required

Masking Tape

Rubber Roller (If available)

Scissors

Plastic Flat Bladed Tool

50 lb. Monofilament line (fishing line)

Before you start

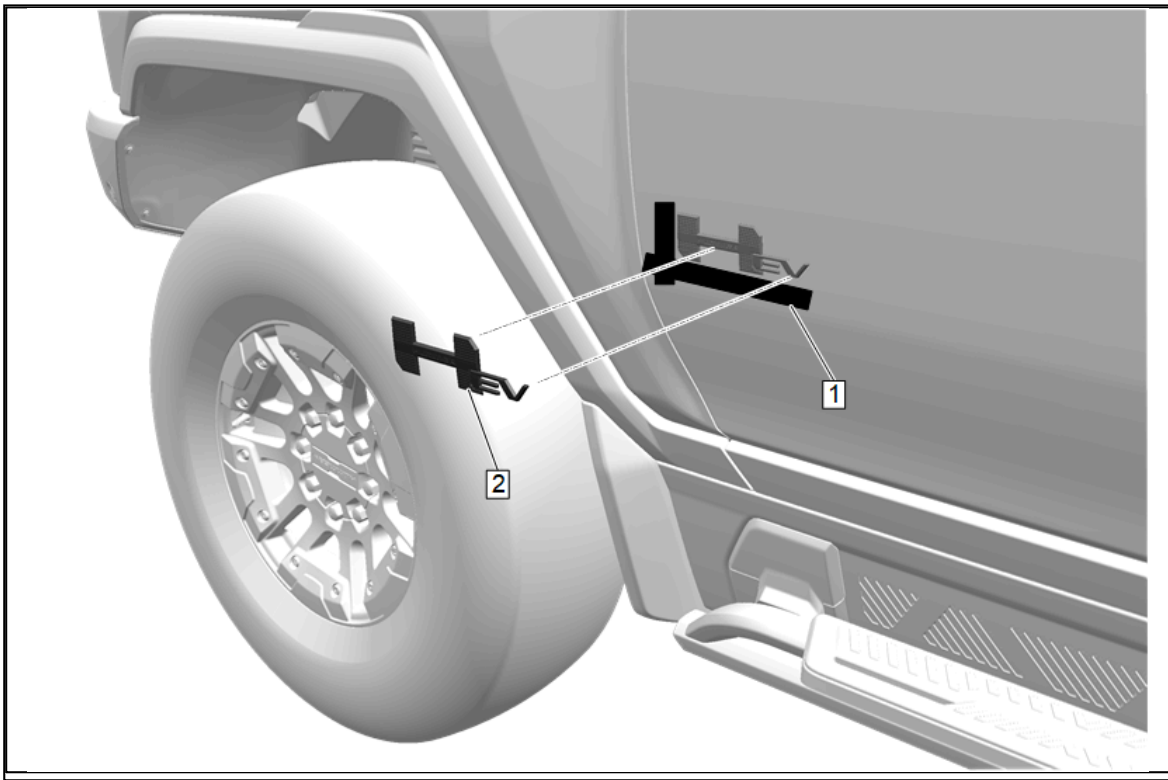
Note: For the emblems to adhere best, the vehicle's mating surface (doors, rear compartment, etc.) should be free of damage (dents, scratches, creases, fractures, etc.).

Caution: Use a plastic, flat-bladed tool or 50 lb. Monofilament line (fishing line) to prevent paint damage when removing an emblem/name plate.

1. The part and surface should be 21°C (70°F) prior to installation. The vehicle should remain 21°C (70°F) for one hour after assembly to allow adhesive to develop sufficient bond strength.
2. Wash the vehicle mating surfaces (Door or Endgate) with a non-petroleum based cleaning product. If a stronger cleaner is required to remove any contaminants, use 3M general purpose Adhesive Cleaner (P/N 08984). Then, thoroughly dry with a soft clean cloth.

Procedure

Side Door Emblem



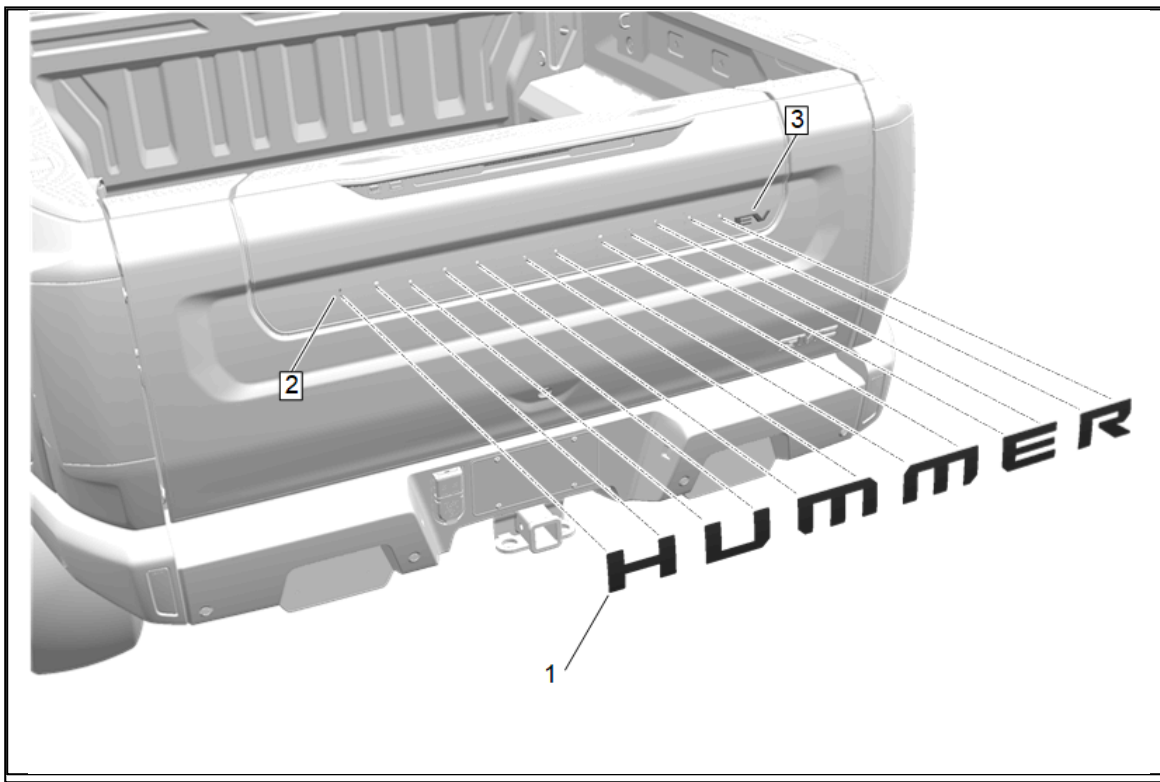
Caution: Only install emblems as a direct replacement of the existing vehicle content and discard any unused part.

Caution: Do not use any heat source like heat gun etc.

1. Apply masking tape (1) around existing emblem to be replaced. Tape the left side and the bottom edge of the existing emblem. This will be the locating feature for the new accessory emblem.
2. Using a plastic flat blade tool or 50 lb. Monofilament line (fishing line), remove the existing emblem (2) from the door.
3. Using one of the supplied alcohol wipes, wipe the area where the new emblem will be installed. Wipe surface dry with a clean lint-free towel.
4. Take one of the new emblems (2) and peel the protective liner from the adhesive backing. Be careful not to touch the tape with hands and do not allow tape to come in contact with dirt or any foreign matter prior to adhesion.
5. **IMPORTANT:** The adhesive will bond quickly to the paint. In the event that the nameplate should be misaligned after installation, do not attempt to remove the nameplate as this will cause paint damage. To avoid mis-alignment, do not drop the nameplate into place. Instead, first align the bottom edge of the emblem lettering to the masking tape. Then, toggle the nameplate into place.
6. Using the palm of the hand or an applicable roller with approximately 10 lbs of pressure, wet out the emblem/name plate to the mating surface for 60 seconds to ensure full adhesion of the nameplate is made.
7. Remove masking tape (1).
8. Repeat the same procedure for the opposite side.

Note: Do not wash vehicle for 24 hours after installation of emblem/name plate

Endgate Emblem



Caution: Only install emblems as a direct replacement of the existing vehicle content and discard any unused part.

Caution: Do not use any heat source like heat gun etc.

Note: DO NOT TOUCH EV LETTERS (3) ON THE ENDGATE.

1. Using a plastic flat blade tool or 50 lb. Monofilament line (fishing line), remove the existing emblem/letters (1) from the endgate.
2. Using one of the supplied alcohol wipes, wipe the area where the emblem/letters will be installed. Wipe surface dry with a clean lint-free towel.
3. Take one of the emblem/letters (1) and peel the protective liner from the adhesive backing. Be careful not to touch the tape with hands and do not allow tape to come in contact with dirt or any foreign matter prior to adhesion.
4. Position the alignment pins of the emblem/letters (1) to the alignment holes (2) on the endgate.
5. **IMPORTANT:** The adhesive will bond quickly to the paint. In the event that the nameplate should be mis-aligned after installation, do not attempt to remove the nameplate as this will cause paint damage. To avoid mis-alignment, do not drop the nameplate into place. Instead, first align the bottom edge of the emblem lettering to the masking tape. Then, toggle the nameplate into place.
6. Using the palm of the hand or an applicable roller with approximately 10 lbs of pressure, wet out the emblem/name plate to the mating surface for 60 seconds to ensure full adhesion of the nameplate is made.

Note: Do not wash vehicle for 24 hours after installation of emblem/name plate