

Front Grille Emblem Package Installation

[Installation Instructions Part Number](#)

84952453

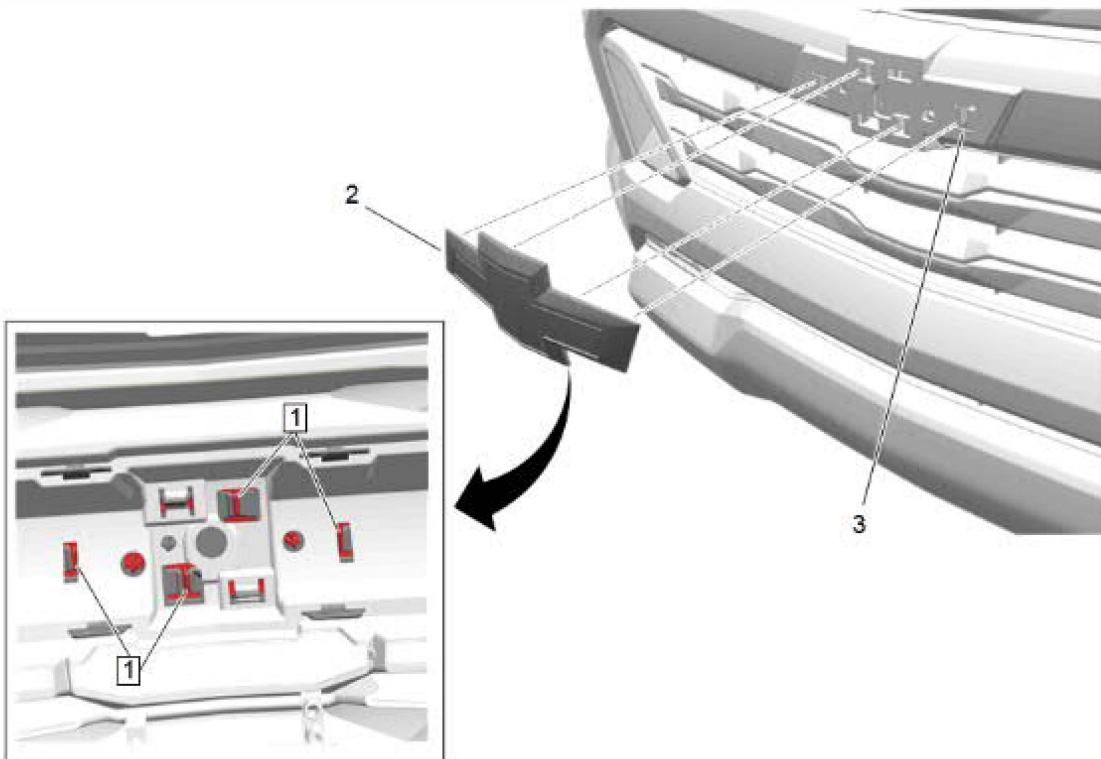
Kit Contents

Qty	Description
1	Emblem Assembly – Front Grille Illuminated
1	Harness
1	Strap – Wire Harness
1	Installation Instructions

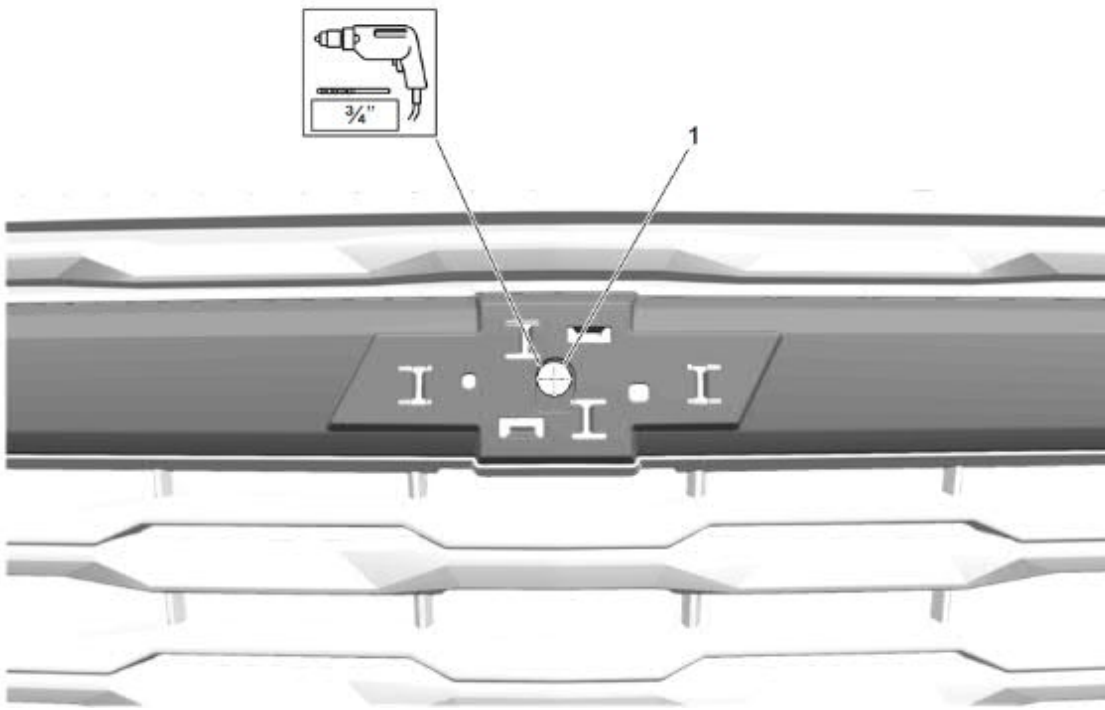
Caution: Refer to front bumper fascia replacement procedure in Vehicle Service Manual to ensure fascia is removed without any damage.

Procedure

1. Read all instructions before performing procedure.
2. Inspect kit to verify all parts are included.
3. Turn off the vehicle.
4. Remove the front bumper fascia. Refer to [Front Bumper Fascia Removal and Installation](#) in Vehicle Service Manual.

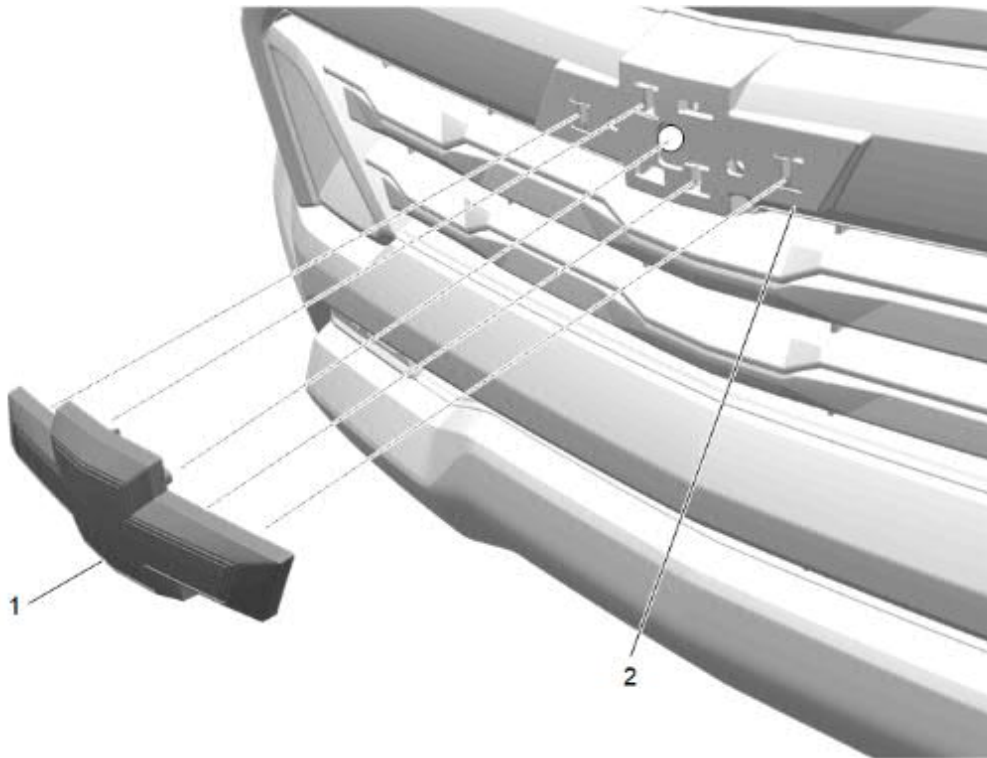


5. Using a suitable flat-bladed tool, release the four locking tabs (1) and pull the front grille emblem (2) from the front grille (3).



Caution: Always check scale, size and position of all templates before drilling. Failing to do so may cause damage to the vehicle, misalignment of components or the inability to install the accessory.

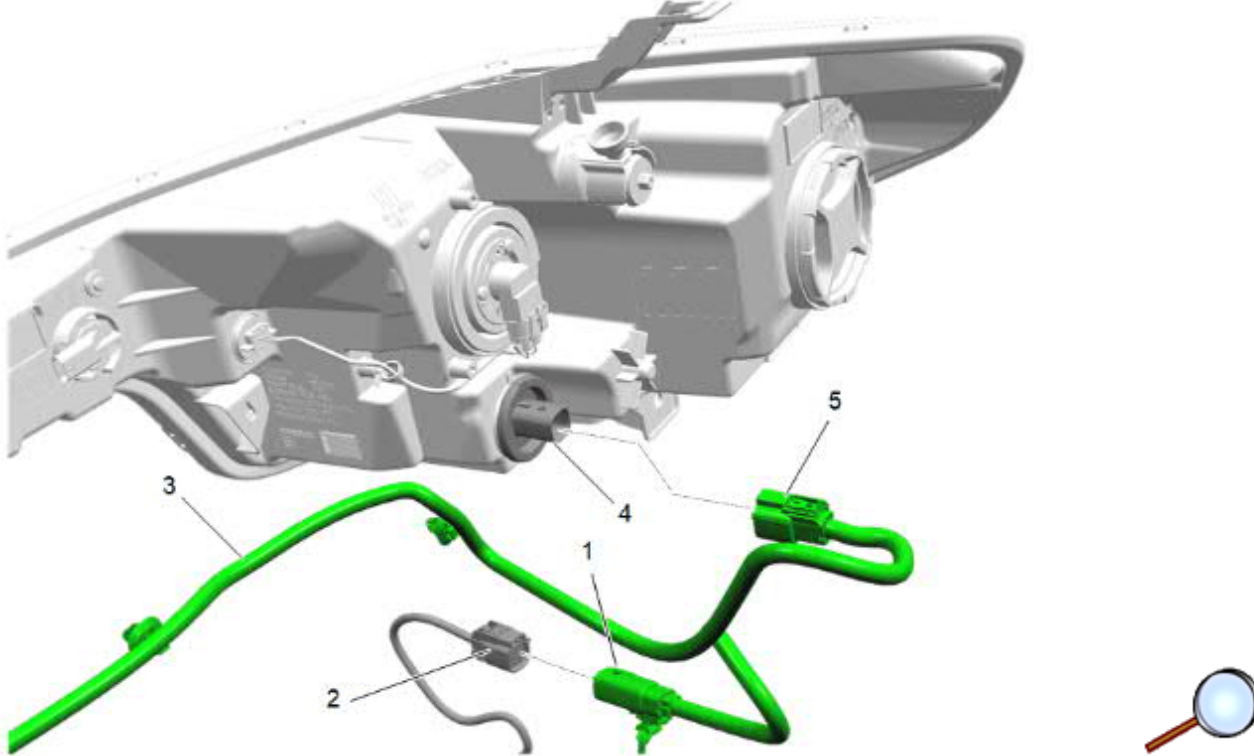
6. Using the scribe line (1) as a guide, drill/cut a 3/4" opening hole in grille as shown.



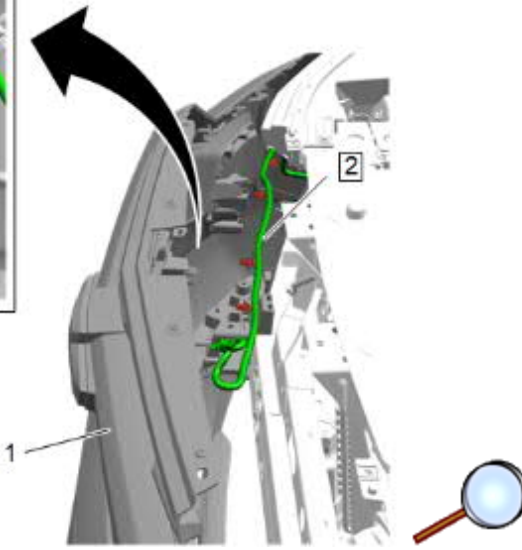
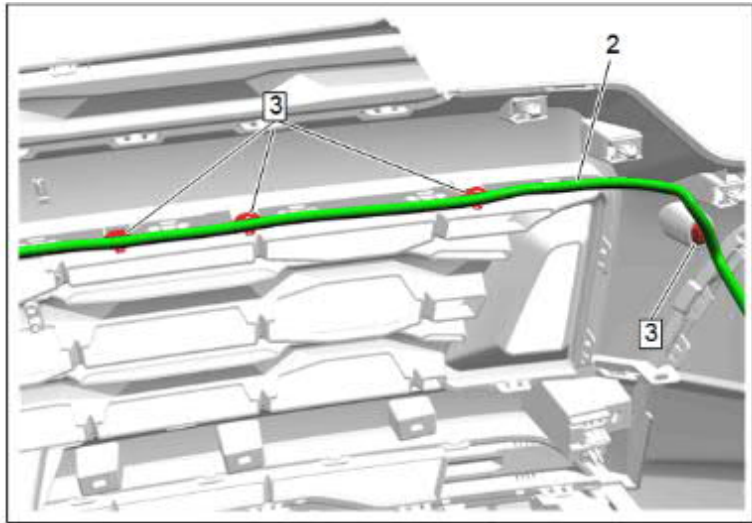
7. Accurately position the illuminated emblem from kit (1) to grille (2) using the locating pins.

8. Install the new emblem, applying enough evenly distributed pressure to engage the locking/retention tabs.

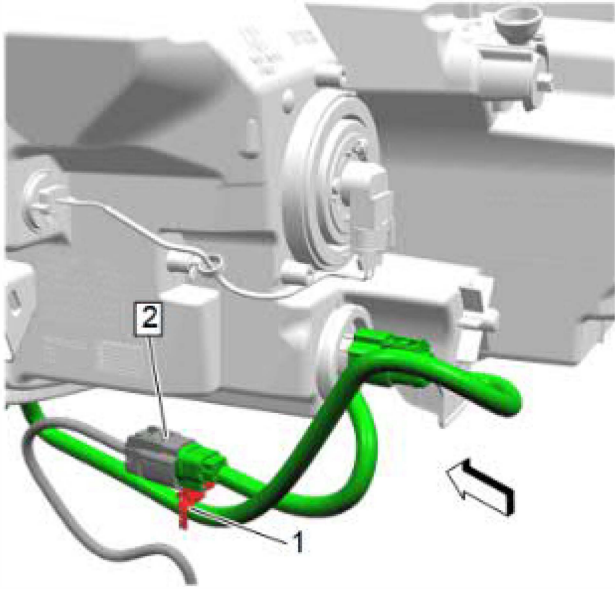
9. Remove the passenger side headlamp assembly. Refer to [Front Headlamp Replacement](#) in Vehicle Service Manual.



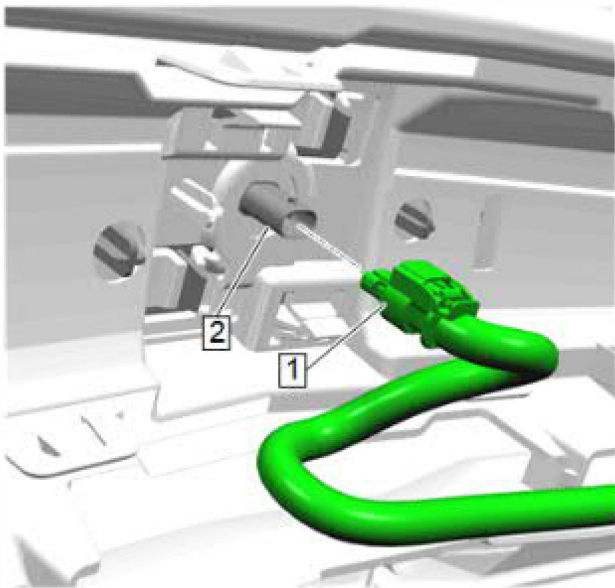
10. Connect one of the single connectors (5) of the supplied harness (3) to the passenger side headlamp (4). Make sure to push RED CPA (connector position assurance) after making connection.
11. Connect the other single connector (1) of the supplied harness (3) to the headlamp harness (2). Make sure to push RED CPA (connector position assurance) after making connection.
12. Reposition wire harness and reinstall the passenger side headlamp assembly. Refer to [Front Headlamp Replacement](#) in Vehicle Service Manual.
13. Route harness below left side of passenger headlamp towards front bumper fascia.



14. With the aid of an assistant, position the front bumper fascia with grille assembly (1) to the vehicle.
15. Position the harness (2) to the fascia grille and install the clips (3).



16. Use the loose edge clip with tie strap (1) for the inline forward lamp harness connector (2). Trim excess off tie strap.



17. Connect the accessory harness connector (1) to the illuminated emblem connector (2). Make sure to push RED CPA (connector position assurance) after making connection. Test and confirm the illuminated emblem operation.
18. Use tie strap to secure extra harness length to main harness. Trim excess off tie strap.
19. Re-install the front bumper fascia and necessary components. Refer to [Front Bumper Fascia Removal and Installation](#) in Vehicle Service Manual.
20. Connect the fog lamp connectors, if equipped.
21. Confirm fog lamp, headlamp and grille emblem operation.
22. Aim headlamps if necessary. Refer to [Front Headlamp Aiming](#) in Vehicle Service Manual.