

# Underbody Skid Shield Package Installation (Instruction ID: 84962768)

## Installation Instructions Part Number

84962768

### Kit Contents

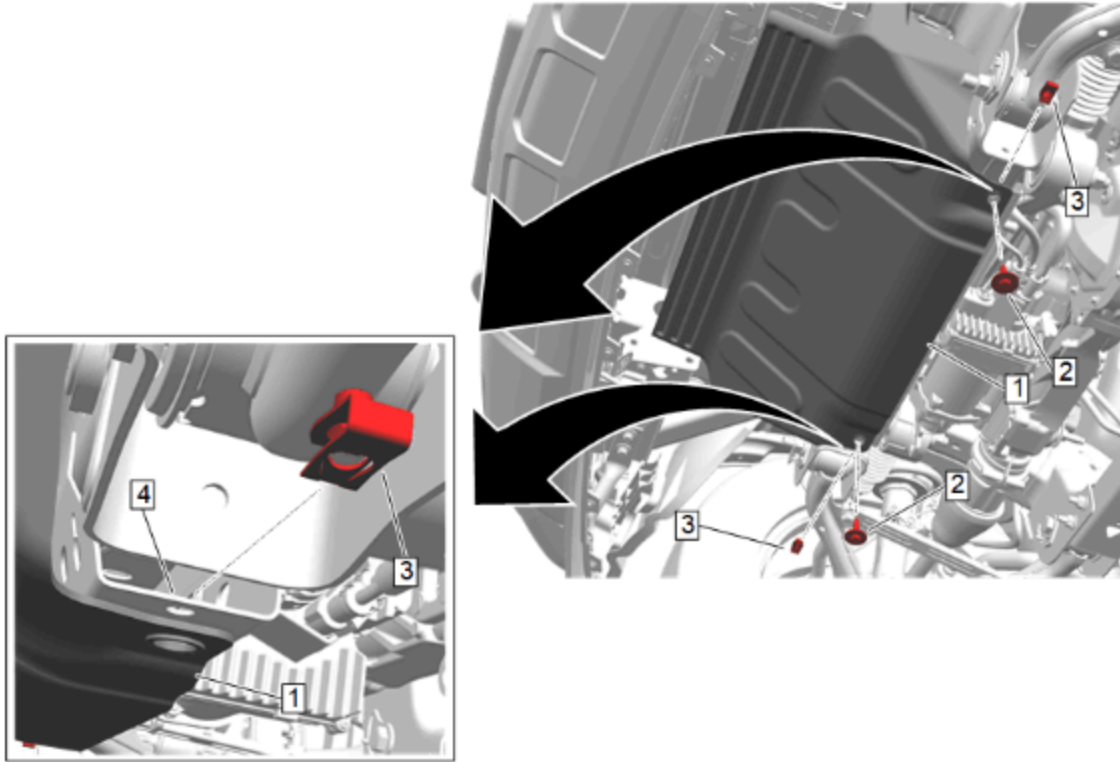
Qty	Description
1	Underbody Skid Shield
4	Underbody Skid Shield Bolt
4	Underbody Skid Shield U-Nut
1	Transfer Case Skid Shield
4	Transfer Case Skid Shield Bolt
4	Transfer Case Skid Shield U-Nut
1	Installation Instructions

© 2024 General Motors. All rights reserved.

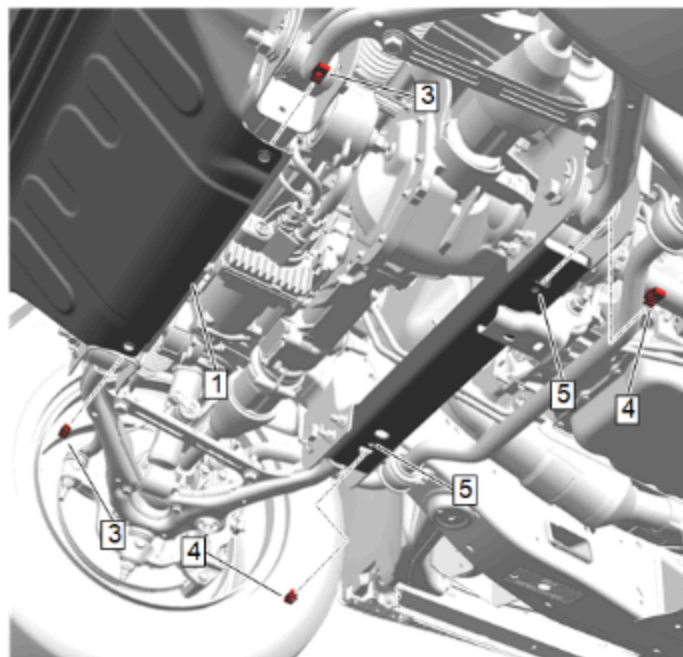
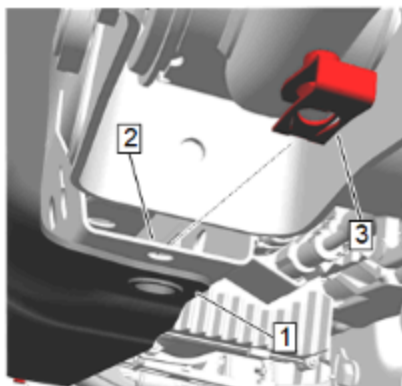
## Procedure

### Underbody Skid Shield

1. Raise and support the vehicle. Refer to [Lifting and Jacking the Vehicle](#) in Vehicle Service Manual.

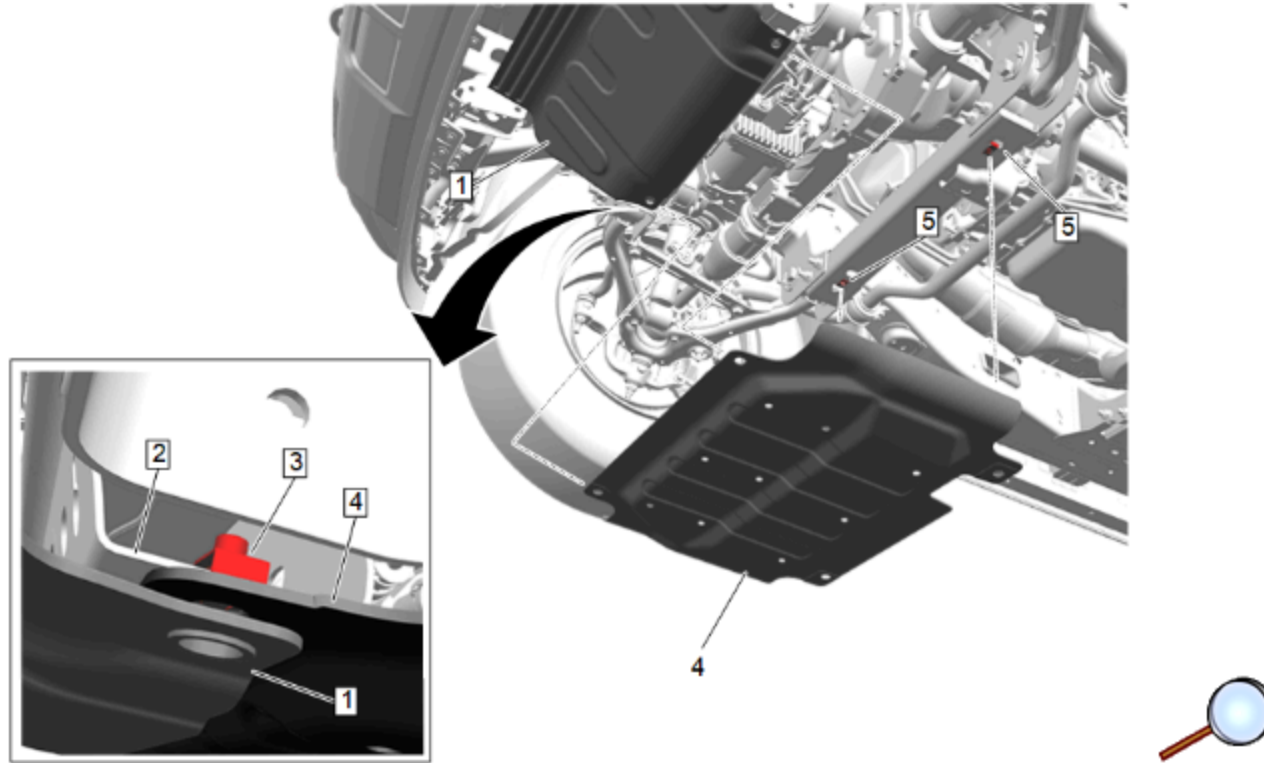


2. Remove the rear lower bolts (2) from the splash shield (1). Discard bolts.
3. Pull down slightly on splash shield (1) to gain access and remove the U-Nuts (3) from the front crossmember. Discard U-Nuts.

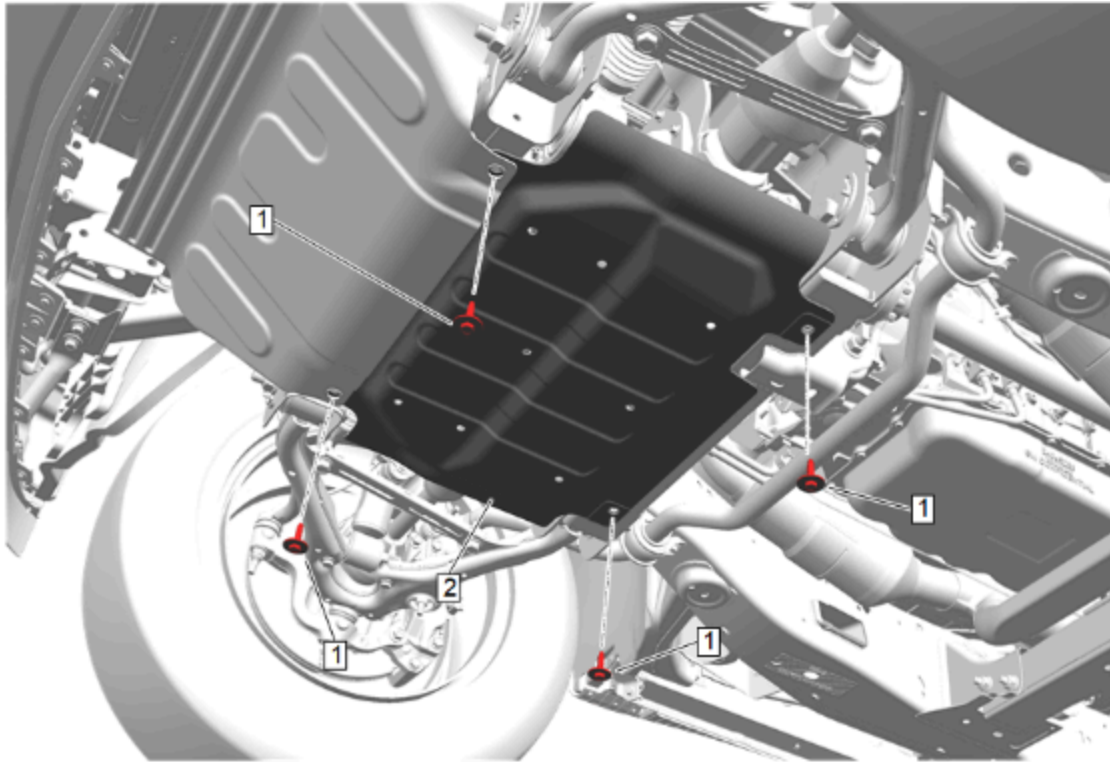


**Caution:** Use the correct fastener in the correct location. Replacement fasteners must be the correct part number for that application. Fasteners requiring replacement or fasteners requiring the use of thread locking compound or sealant are identified in the service procedure. Do not use paints, lubricants, or corrosion inhibitors on fasteners or fastener joint surfaces unless specified. These coatings affect fastener torque and joint clamping force and may damage the fastener. Use the correct tightening sequence and specifications when installing fasteners in order to avoid damage to parts and systems.

4. Pull down slightly on splash shield (1) to gain access and install supplied U-Nuts (3) to the front crossmember (2).
5. Install supplied U-Nuts (4) to the rear crossmember areas (5) as shown.



6. Pull down slightly on splash shield (1) and then position and align the underbody skid shield (4) between the front crossmember (2) and splash shield (1) and then align holes with the U-Nuts (3), (5).

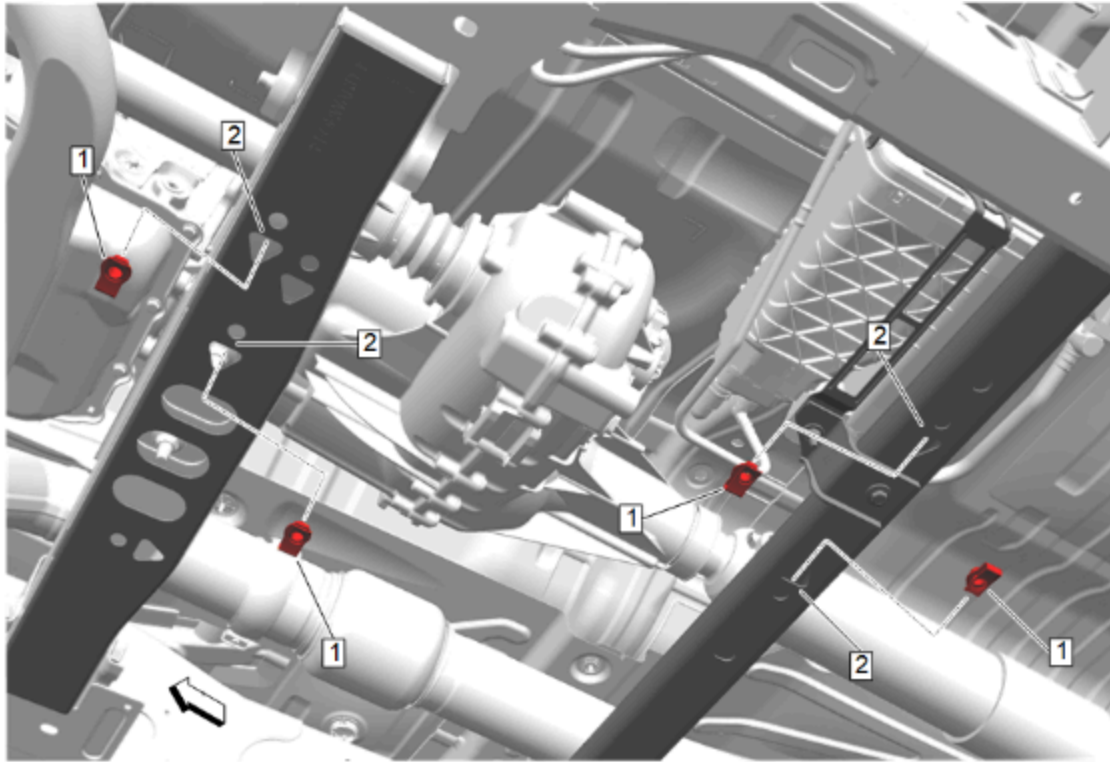


7. Insert supplied bolts (1) to underbody skid shield (2).

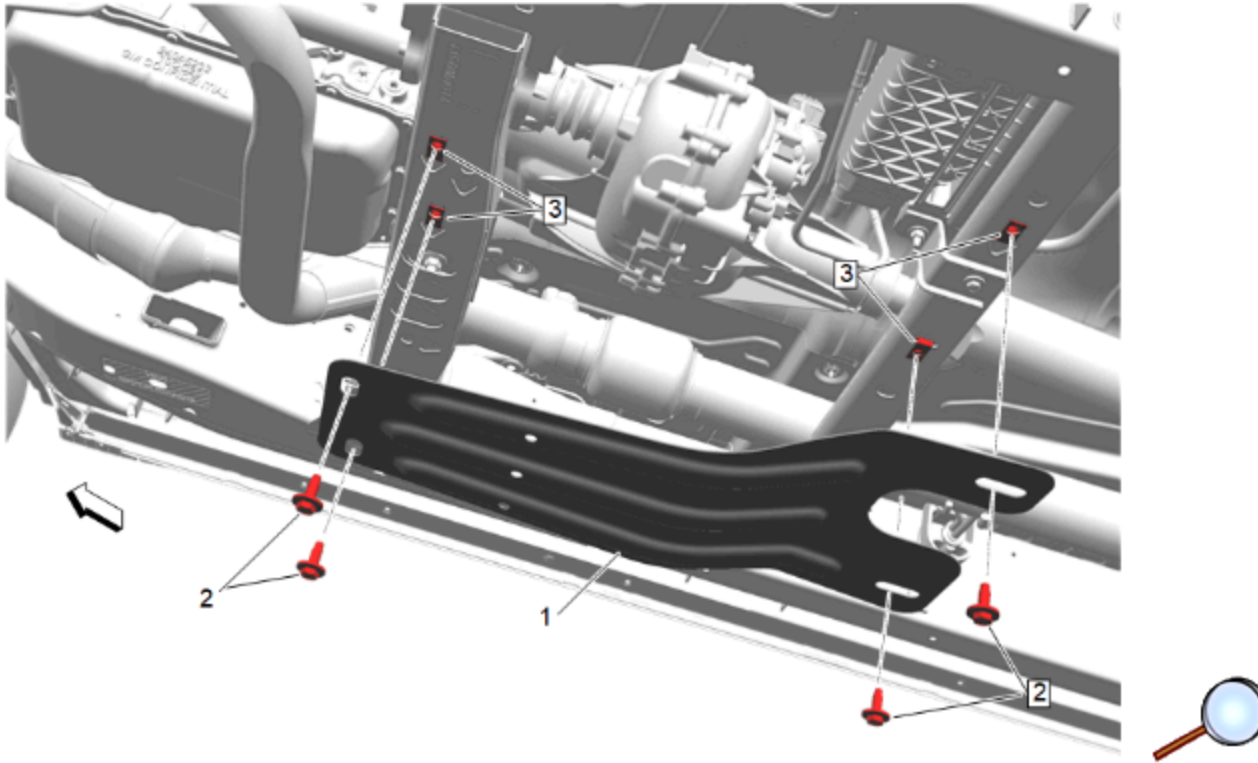
**Tighten**

all four bolts to 22 Y (16 lb ft).

**Transfer Case Skid Shield**



1. Install the four supplied transfer case skid shield U-Nuts (1) to the crossmember locations (2) as shown.



2. Position and align the transfer case skid shield (1) to the previously installed U-Nuts (3) on crossmembers.
3. Insert supplied bolts (2) to transfer case skid shield and U-Nuts (3).

**Tighten**

Tighten all four bolts to 58 Y (48 lb ft).

4. Lower the vehicle.