

Body Emblem Package Installation

[Installation Instructions Part Number](#)

85086310

Kit Contents

Qty	Description
1	Emblem Assembly GMC – Front Grille Illumination
1	Harness
6	Tie Strap
5	Tie Strap Clips
1	Emblem Assembly GMC – Liftgate
1	Installation Instructions

Required / Recommended Tools

Plastic flat-bladed tool

Before you start

Note: For the nameplate to adhere best, the vehicle's mating surface (doors, rear compartment, etc.) should be free of damage (dents, scratches, creases, fractures, etc.).



Caution: Do not use heat gun/hair dryer or apply excessive heat to the emblem/nameplate as this may damage the paint and surrounding panel surfaces during removal.



Caution: Use a plastic, flat-bladed tool to prevent paint damage when removing an emblem/nameplate. Do not use fishing line to remove nameplate as this may worsen the tape residue cleaning process. Use Isopropyl Alcohol and Lint Free Cloth to remove tape residue. Heavy foam/adhesive residue remaining on the painted surface can be removed using 3M's Scotch-Brite™ Molding Adhesive and Stripe Removal 4-inch Foam Disc. DO NOT use hard Stripe off wheel.

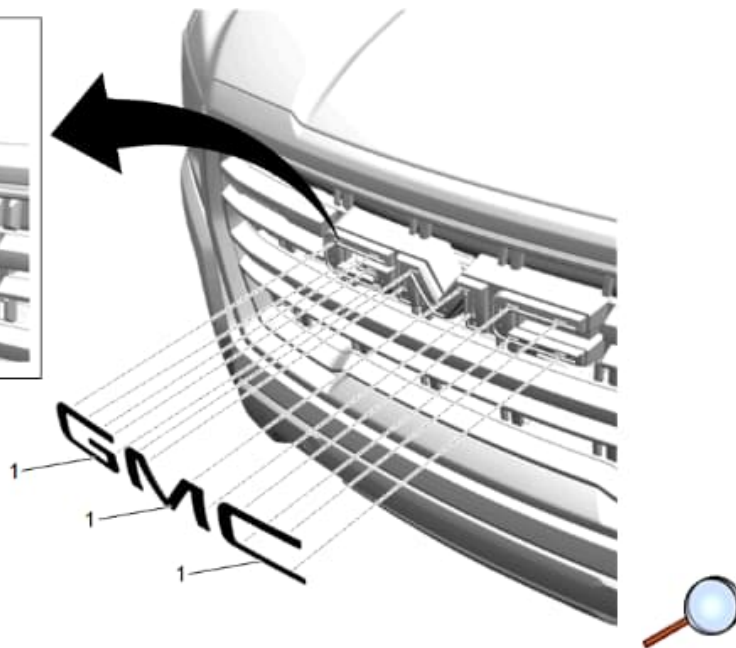
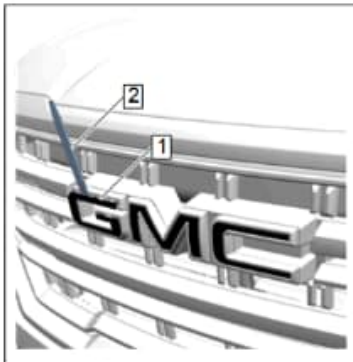
Caution: Only install nameplates as a direct replacement of the existing vehicle content.

Procedure

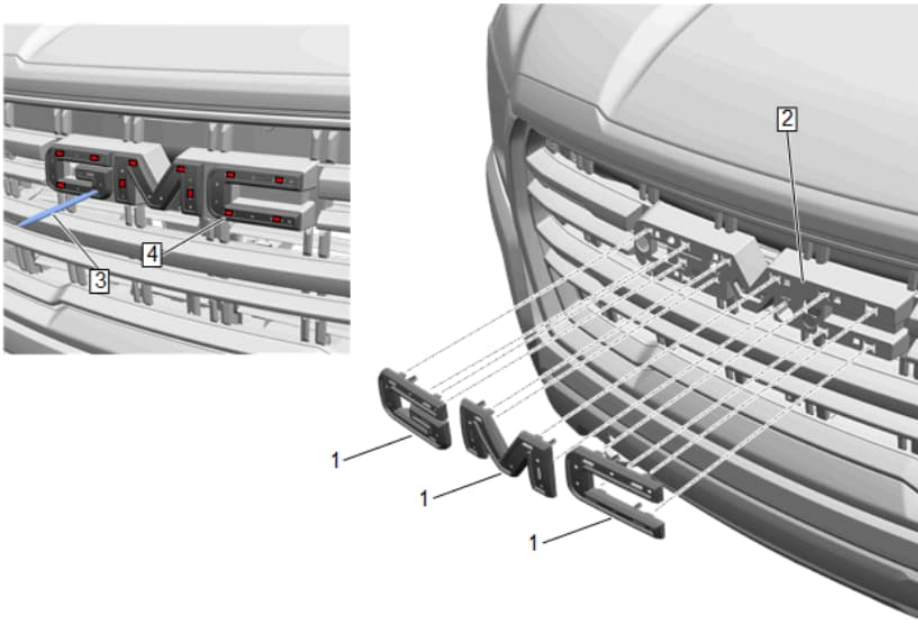
Front GMC Emblem Replacement

Note: Read all instructions before performing procedure.

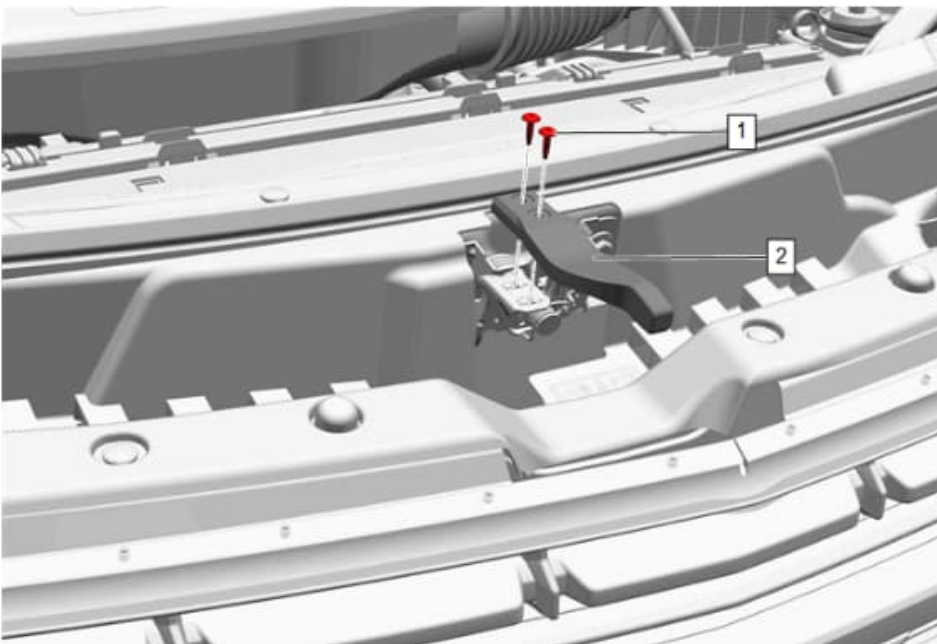
1. Inspect kit to verify all parts are included.
2. Turn off the vehicle.
3. Open the hood.



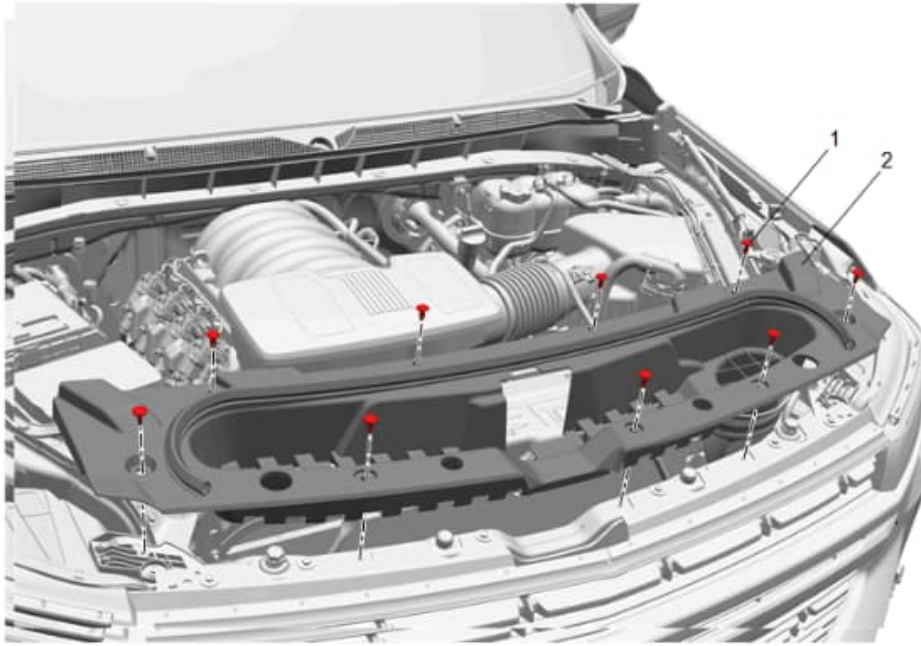
4. Using a suitable flat-bladed tool (2), carefully remove the emblem insert (1) from each letter.



5. Using a suitable flat bladed tool (3), carefully release the retention clips (4) and remove each letter (1) from grille (2). Be careful to avoid damage to the retaining tabs in the grille (2), as this may result in loose fit of the new emblems.

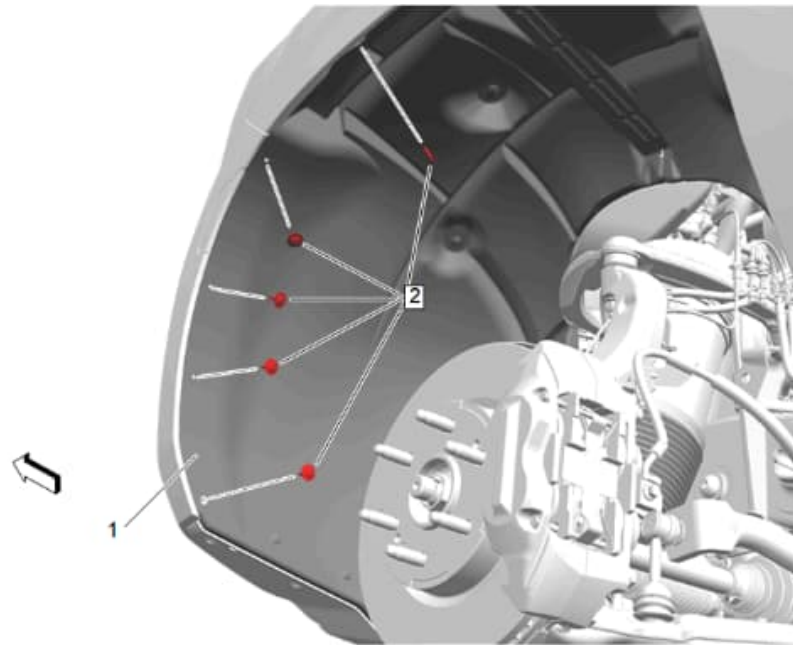


6. Hood Latch Actuator Bolt (1) » Remove [2x]
7. Hood Secondary Latch Release Handle (2) » Remove

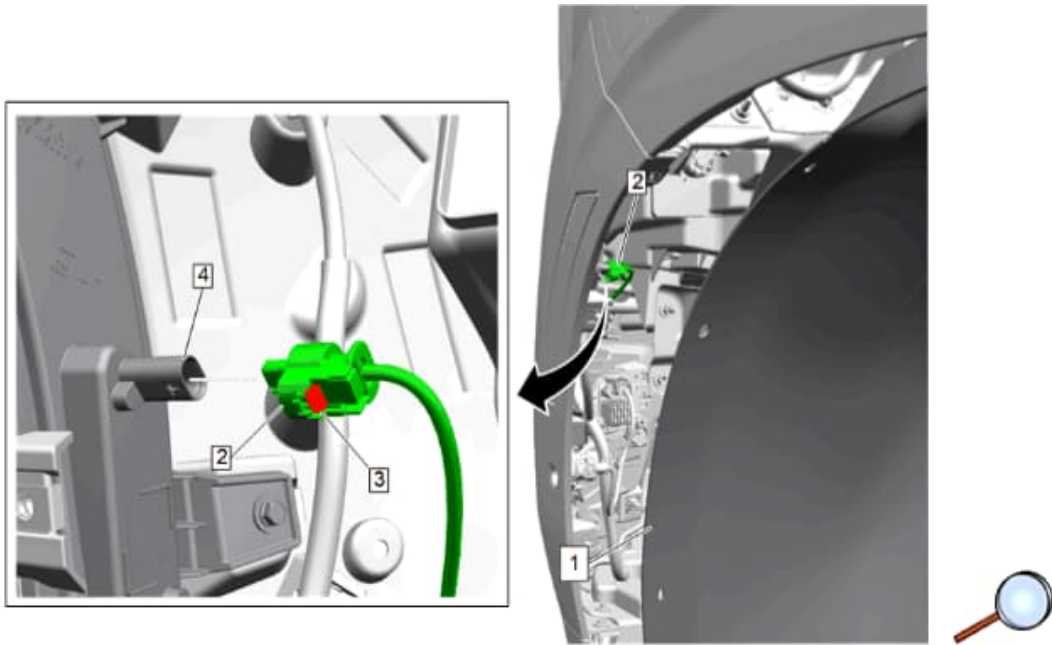


8. Air Inlet Grille Panel Retainer (1) » Remove [9x]

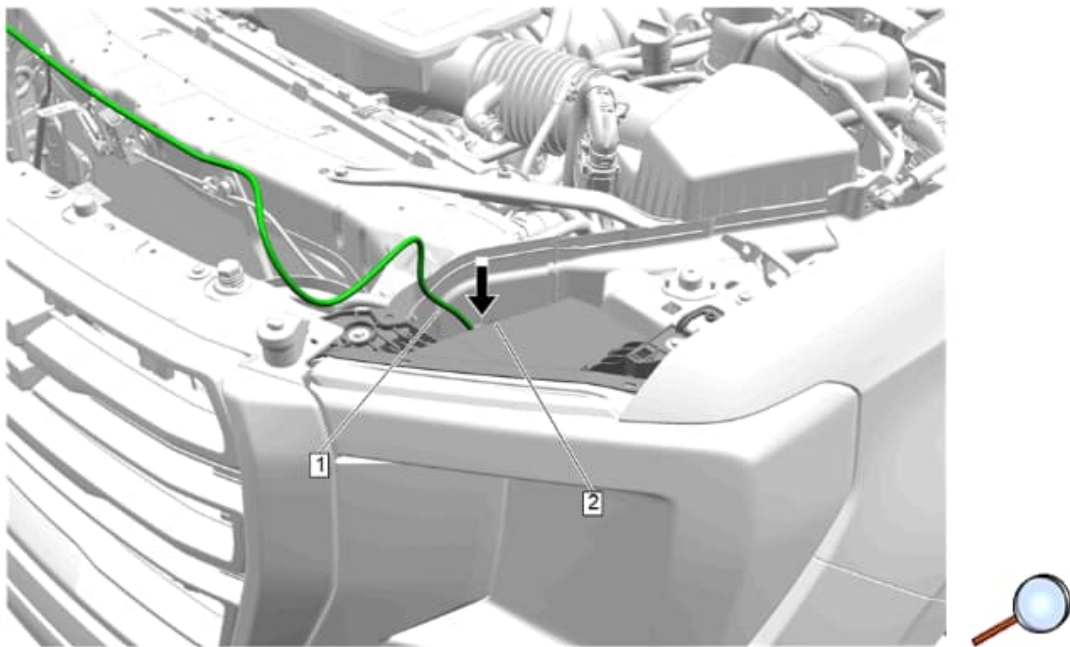
9. Intake Air Grille (2) » Remove



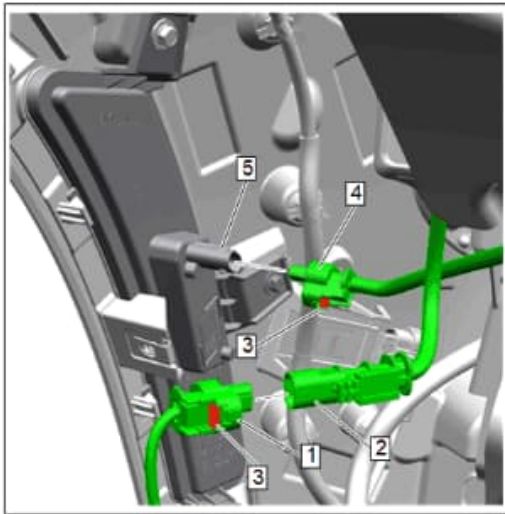
10. Remove the five T-15 torx screws (2) from the left front wheelhouse liner (1).



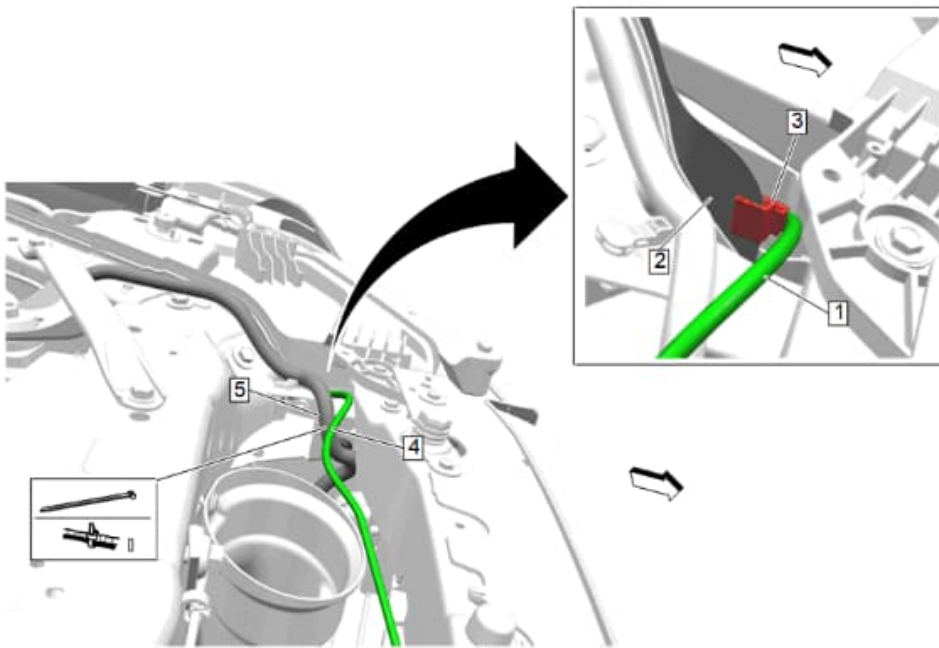
11. Pull back left front wheelhouse liner (1) enough to gain access to the left side marker lamp connector (2).
12. Pull back the CPA (3) on the left side marker lamp connector (2) and disconnect left side marker lamp connector (2) from left side marker lamp (4).



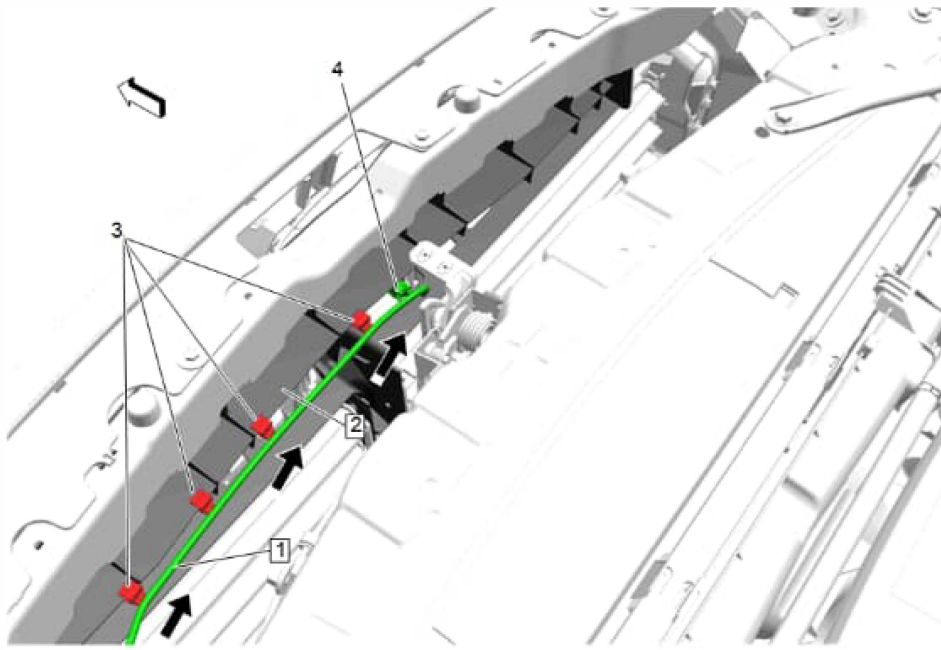
13. Route the jumper portion of accessory harness (1) along side the left headlamp (2) towards left side marker lamp connector.



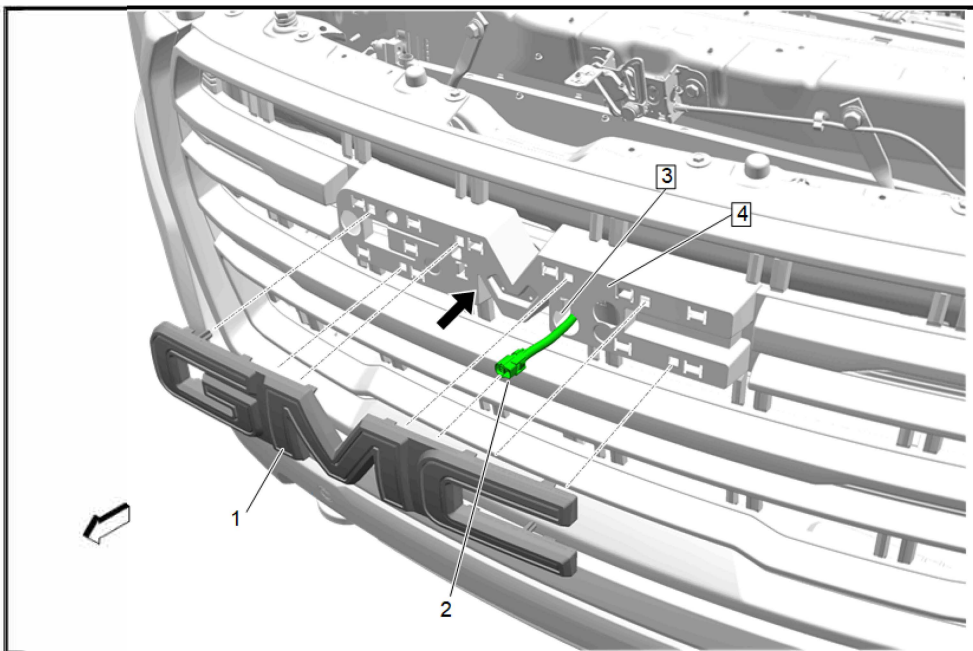
14. Connect one end of accessory harness (4) to the left side marker lamp connector (5) and the other connector (2) to the previously disconnected left side marker lamp harness connector (1). Make sure the CPA (3) is locked on both connectors.



15. Secure accessory harness (1) near left headlamp to the core support (2) with clip (3) and fasten to headlamp harness (5) with zip tie in area shown (4).



16. Continue to route accessory harness (1) along shutter frame (2) and secure harness to shutter frame with clips (3).
17. Route the accessory harness connector (4) through the hole at the top of shutter frame, right of center.

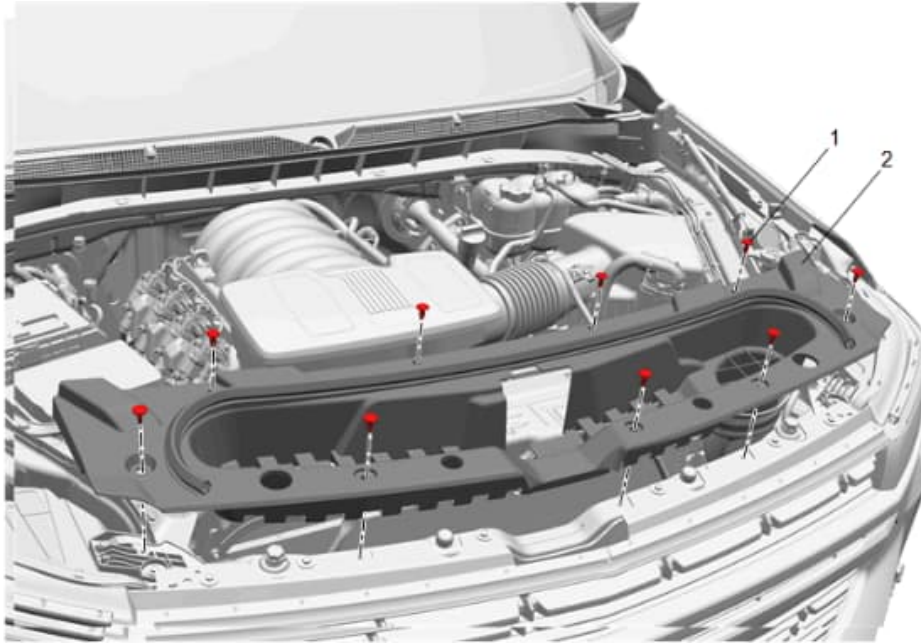


Note: Care should be taken to install harness connector to the illuminated emblem, since excessive force could damage/bend the emblem base connector pins.

18. Route the accessory harness connector (2) through the hole (3) in front grille (4) on the GMC emblem area. Connect the accessory harness connector (2) to the illuminated GMC emblem (1) and accurately position the illuminated GMC emblem (1) to grille (4) using the locating pins. Do not attach emblem to grille at this point.
19. Confirm fog lamp, headlamp and grille emblem operation before securing emblem to grille.
20. Install the new emblem to grille, applying enough evenly distributed pressure to engage the locking/retention tabs.

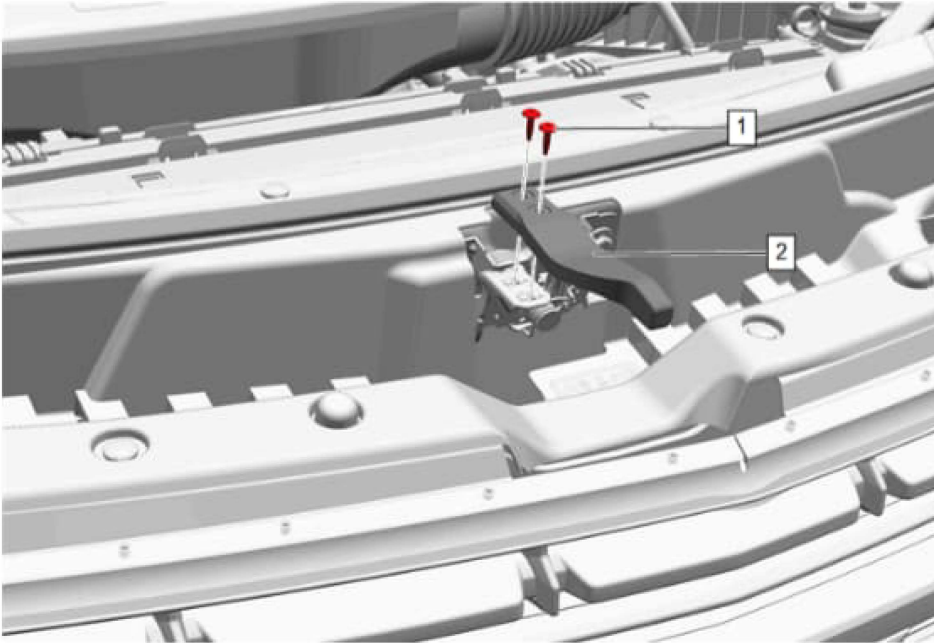


21. Verify that the emblem is fully seated and securely attached to the grille.



22. Intake Air Grille (2) » Install

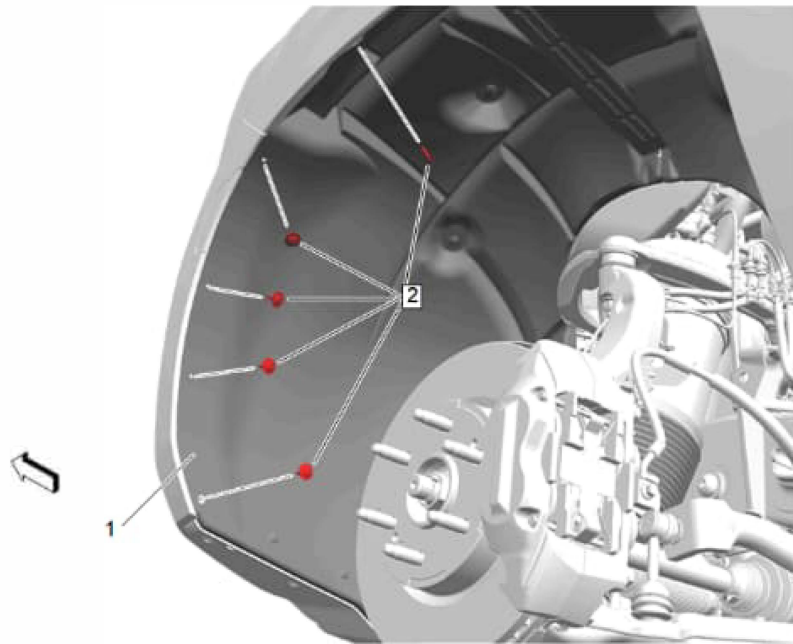
23. Air Inlet Grille Panel Retainer (1) » Install [9x]



24. Hood Secondary Latch Release Handle (2) » Install

Caution: Use the correct fastener in the correct location. Replacement fasteners must be the correct part number for that application. Fasteners requiring replacement or fasteners requiring the use of thread locking compound or sealant are identified in the service procedure. Do not use paints, lubricants, or corrosion inhibitors on fasteners or fastener joint surfaces unless specified. These coatings affect fastener torque and joint clamping force and may damage the fastener. Use the correct tightening sequence and specifications when installing fasteners in order to avoid damage to parts and systems.

25. Hood Latch Actuator Bolt (1) » Install and tighten [2x] Tighten bolts to 2.5 N.m (22 lb in).

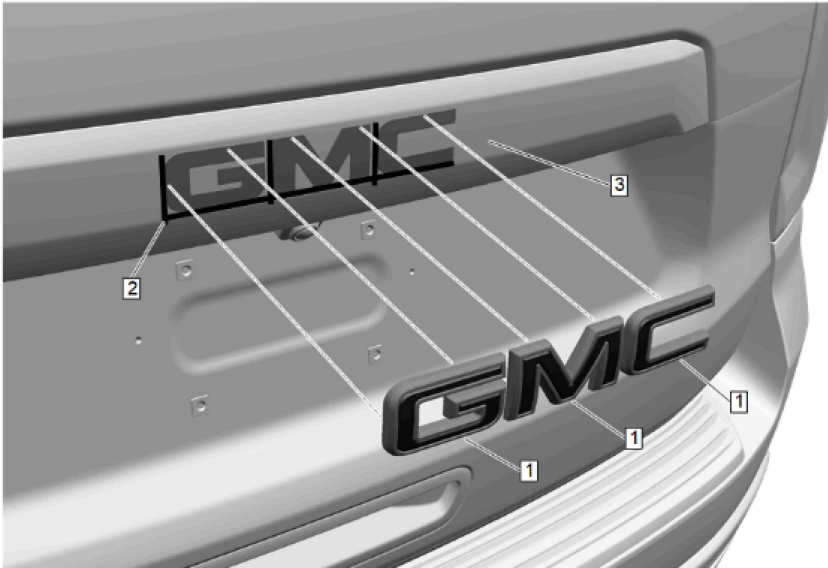


26. Reposition the left front wheelhouse liner (1) and re-install the five T-15 torx screws (2). Tighten the screws to 2.5 N.m (22 lb in).

Rear Black GMC Emblem Replacement (Model Years 2024 And Prior)

Note: These steps apply to vehicle model years 2024 and prior. For vehicle model years 2025 and beyond skip to next section.

1. Turn off vehicle.

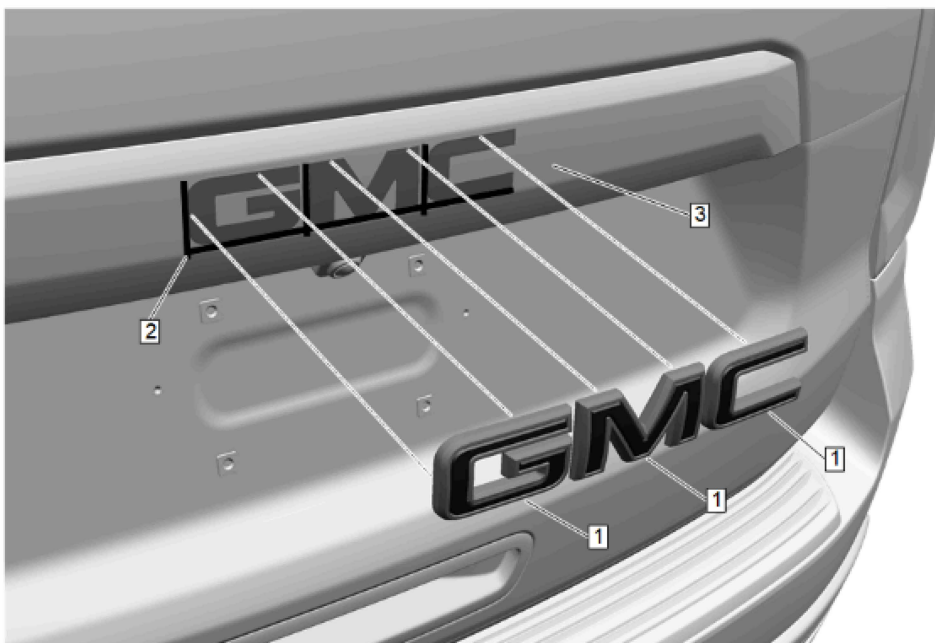


2. Mark the position of the emblem with a washable marker or masking tape (2) prior to removal.

Caution: DO NOT use heat gun to remove emblems from any plastic part (applique) or around any plastic part. Applying heat to emblem may damage the finish of the surrounding plastic part (applique) resulting in replacing the plastic parts (applique).

Caution: Use a plastic, flat-bladed tool to prevent paint damage when removing an emblem/name plate.

3. Carefully remove the existing emblems (1) from the liftgate surface (3) using a plastic flat-bladed tool .
4. Clean any remaining residue with a 50/50 mixture by volume of isopropyl alcohol and clean drinkable water. Wipe surface dry with a clean lint-free towel.
5. Installing the Rear Emblem:
 - 5.1. The part surface should be 21°C (70°F) prior to installation. The vehicle should remain 21°C (70°F) for one hour after assembly to allow adhesive to develop sufficient bond strength.
 - 5.2. When removing protective liners from the adhesive tape, be careful not to touch tape with hands and do not allow tape to come in contact with dirt or any foreign matter prior to adhesion.



- 5.3. Position new emblems (1) carefully within reference marks (2) and place on prepared surface of liftgate (3).
- 5.4. Using the palm of the hand, apply strong pressure to all areas of the emblem to ensure full adhesion is achieved.
- 5.5. Carefully remove any markings or tape used to locate the rear emblem. Clean the liftgate surface as needed.



6. Liftgate emblem complete (1).

Rear Black GMC Emblem Replacement (Model Years 2025 And Beyond)

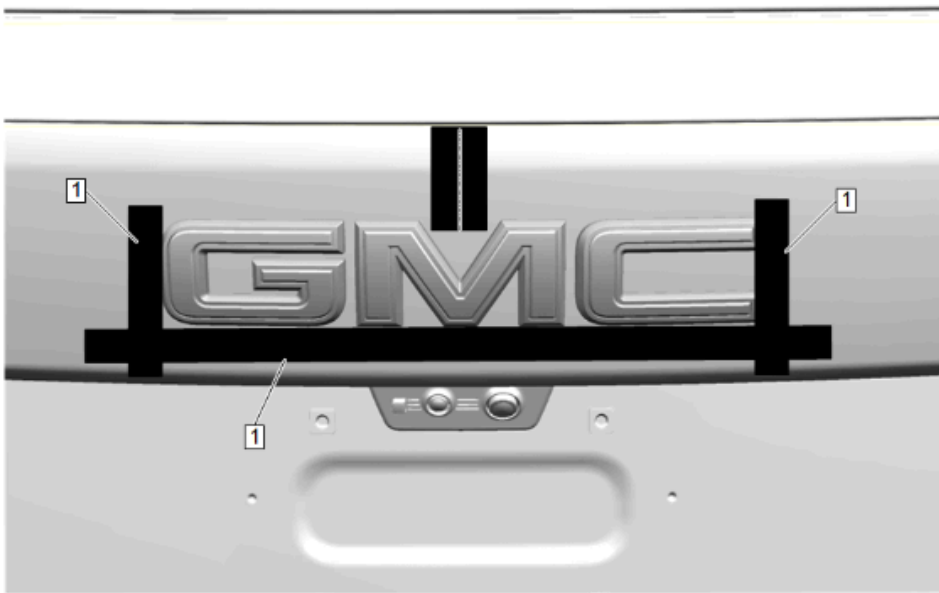
Note: These steps apply to vehicle model years 2025 and beyond. For vehicle model years 2024 and prior refer to section above.

Caution: Please read the "removal and installation" procedure carefully prior to start. The installation process differs from the usual procedure, and additional steps are necessary to ensure that the emblem is correctly placed on the license plate applique.

1. Turn off vehicle.



2. Using a ruler, mark the center of the letter **M** Apply masking tape (1) vertically between the letter **M** and draw the center line (2) on the tape to establish side to side alignment reference.

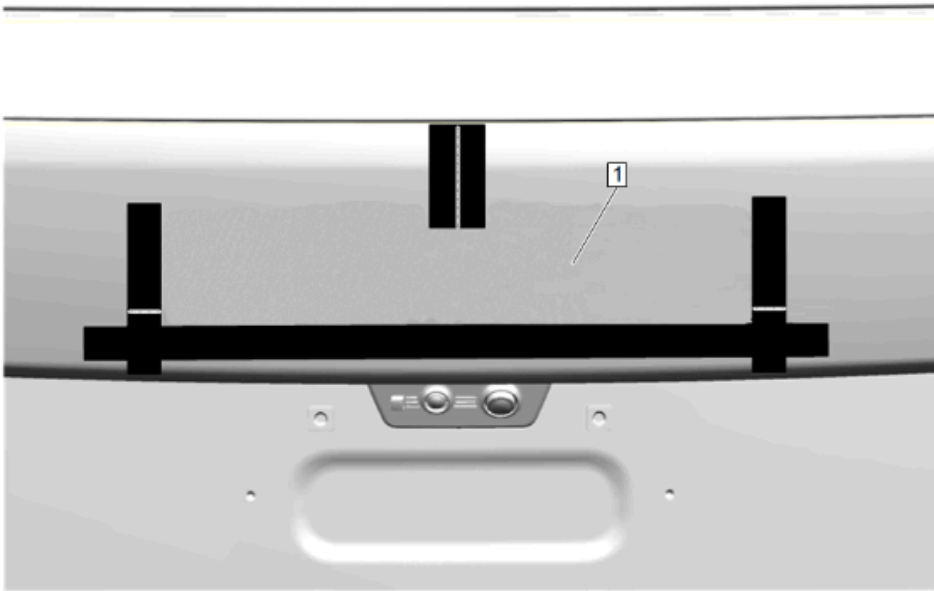


3. Align and install additional pieces of masking tape (1) at locations shown.

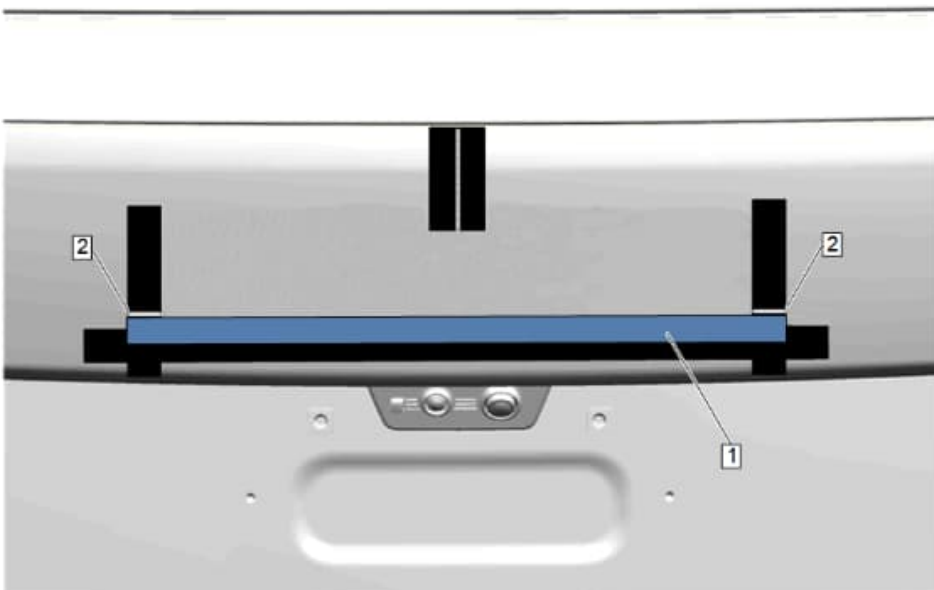


4. Measure 6.5mm (0.25") from the bottom of GMC emblem and draw two reference points (1) on each side of emblem on masking tape.

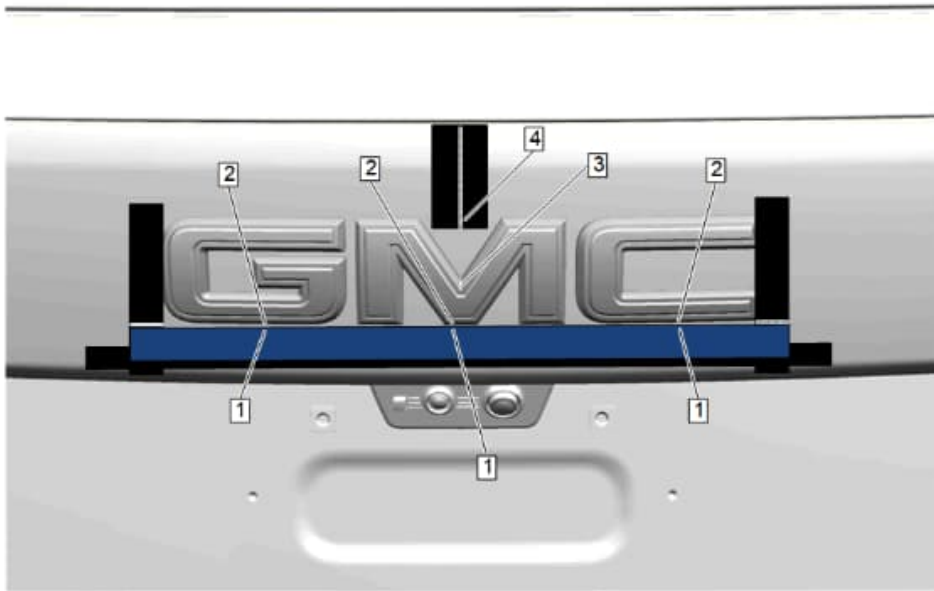
5. Carefully remove the existing GMC emblem from the liftgate surface using a plastic flat-bladed tool .



6. Clean any remaining residue on the vehicle surface (1) with a 50/50 mixture by volume of isopropyl alcohol and clean drinkable water. Wipe surface dry with a clean lint-free towel.



7. Install an additional piece of masking tape (1) using the reference points (2) from step 4. This will be the new bottom alignment line for the black GMC emblem.
8. Installing the Rear Emblem:
- 8.1. The part surface should be 21°C (70°F) prior to installation. The vehicle should remain 21°C (70°F) for one hour after assembly to allow adhesive to develop sufficient bond strength.
- 8.2. When removing protective liners from the adhesive tape, be careful not to touch tape with hands and do not allow tape to come in contact with dirt or any foreign matter prior to adhesion.



- 8.3. Align the center of letter M (3) with vertical center line reference (4). Align the bottom of the GMC emblem (2) to the masking tape (1) installed in step 7.
- 8.4. Install GMC emblem and apply pressure with the palm of your hand or using a clutch roller to wet-out the GMC emblem to the license plate applique. Ensure to apply adequate pressure in all peripheries and the center of each letter.
- 8.5. Carefully remove any markings or tape used to locate the rear emblem. Clean the liftgate surface as needed.
9. Liftgate emblem complete.