

Body Emblem Package Installation

Installation Instructions Part Number

85086313

Kit Contents

Qty	Description
1	Emblem Assembly GMC – Front Grille Illumination
1	Harness
6	Tie Strap
5	Tie Strap Clips
1	Emblem Assembly GMC – Liftgate
1	Installation Instructions

Required / Recommended Tools

Plastic flat-bladed tool

Before you start

Note: For the nameplate to adhere best, the vehicle's mating surface (doors, rear compartment, etc.) should be free of damage (dents, scratches, creases, fractures, etc.).



Caution: Do not use heat gun/hair dryer or apply excessive heat to the emblem/nameplate as this may damage the paint and surrounding panel surfaces during removal.



Caution: Use a plastic, flat-bladed tool to prevent paint damage when removing an emblem/nameplate. Do not use fishing line to remove nameplate as this may worsen the tape residue cleaning process. Use Isopropyl Alcohol and Lint Free Cloth to remove tape residue. Heavy foam/adhesive residue remaining on the painted surface can be removed using 3M's Scotch-Brite™ Molding Adhesive and Stripe Removal 4-inch Foam Disc. DO NOT use hard Stripe off wheel.

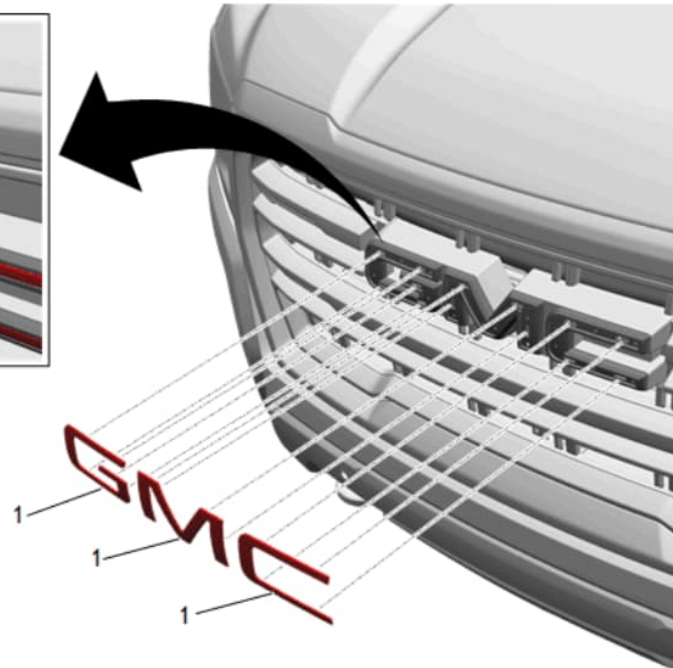
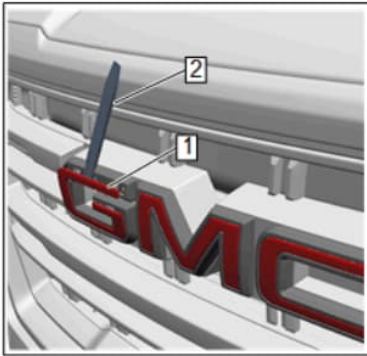
Caution: Only install nameplates as a direct replacement of the existing vehicle content.

Procedure

Front GMC Emblem Replacement

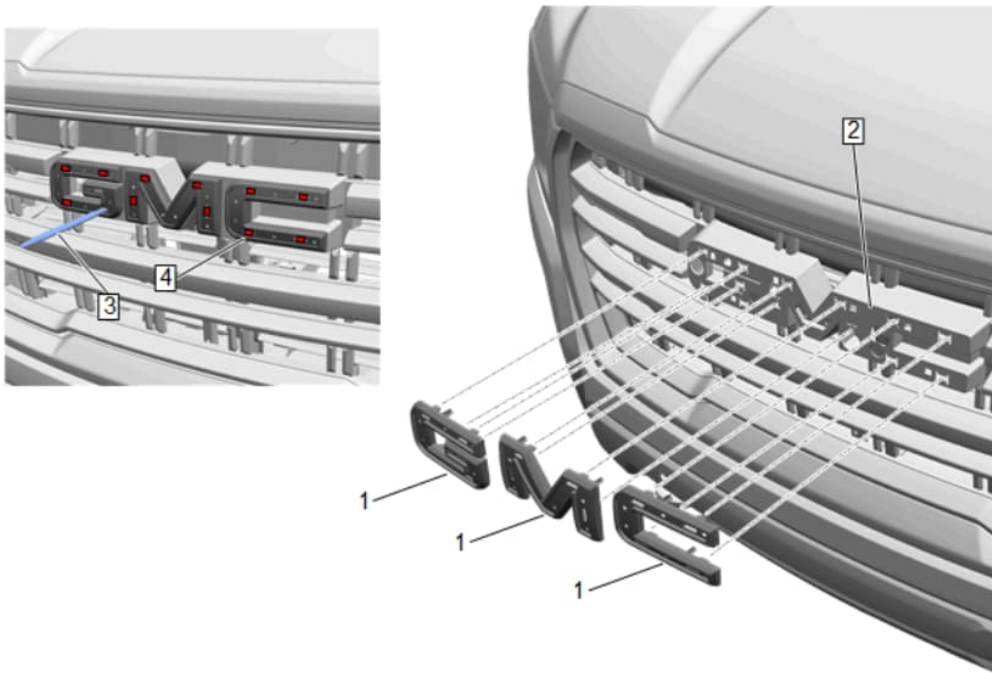
Note: Read all instructions before performing procedure.

1. Inspect kit to verify all parts are included.
2. Turn off the vehicle.
3. Open the hood.

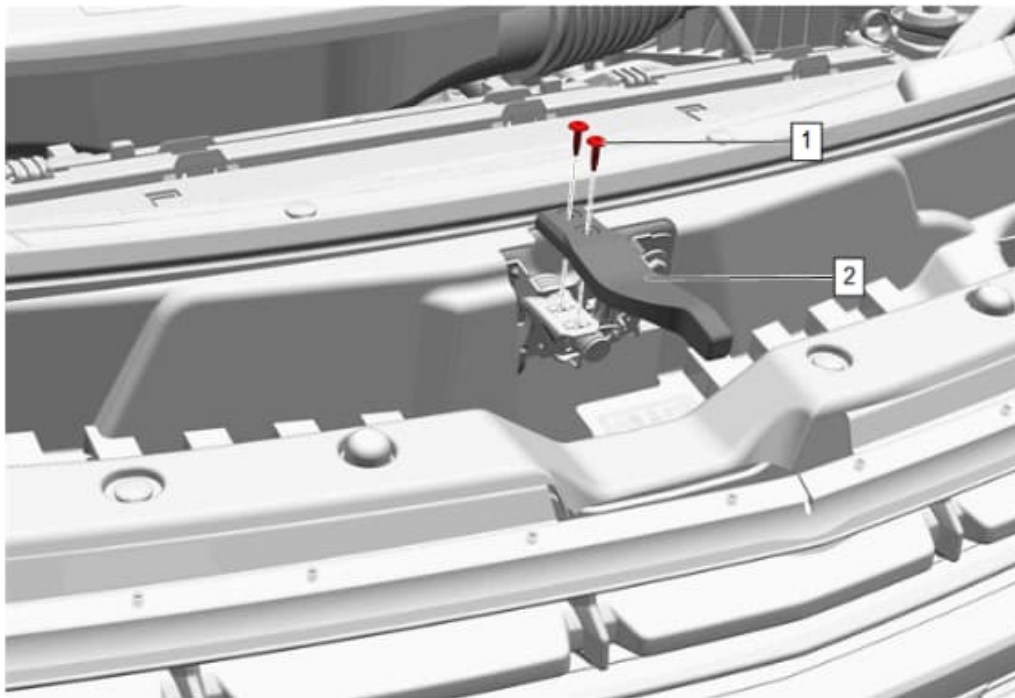


Note: Red emblems will be damaged and not suitable for re-use.

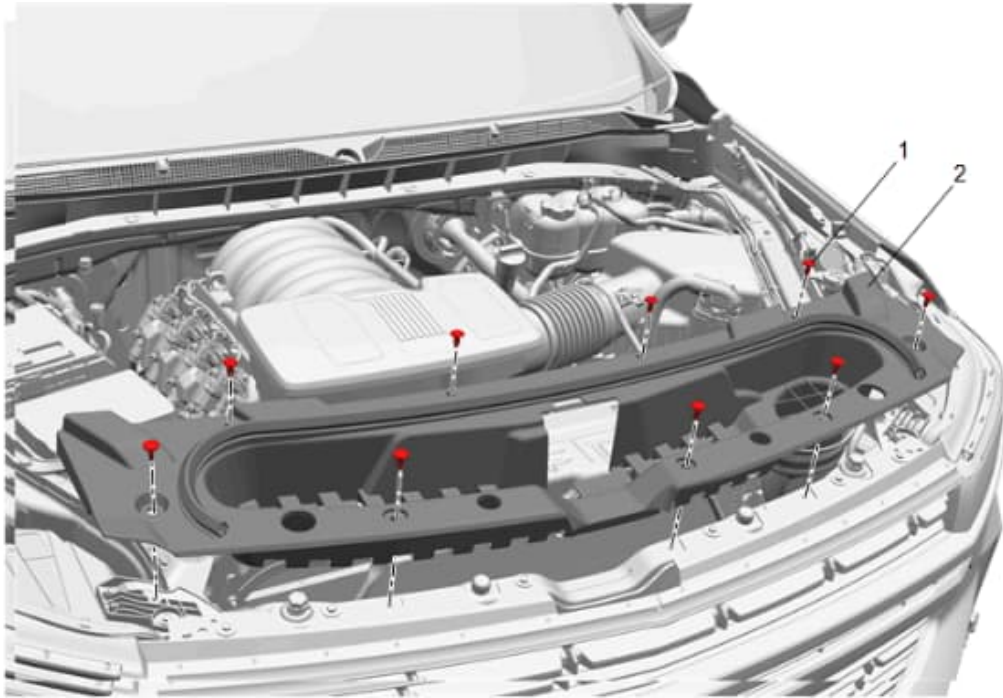
4. Using a suitable flat-bladed tool (2), carefully remove the red emblem insert (1) from each letter.



5. Using a suitable flat bladed tool (3), carefully release the retention clips (4) and remove each letter (1) from grille (2). Be careful to avoid damage to the retaining tabs in the grille (2), as this may result in loose fit of the new emblems.

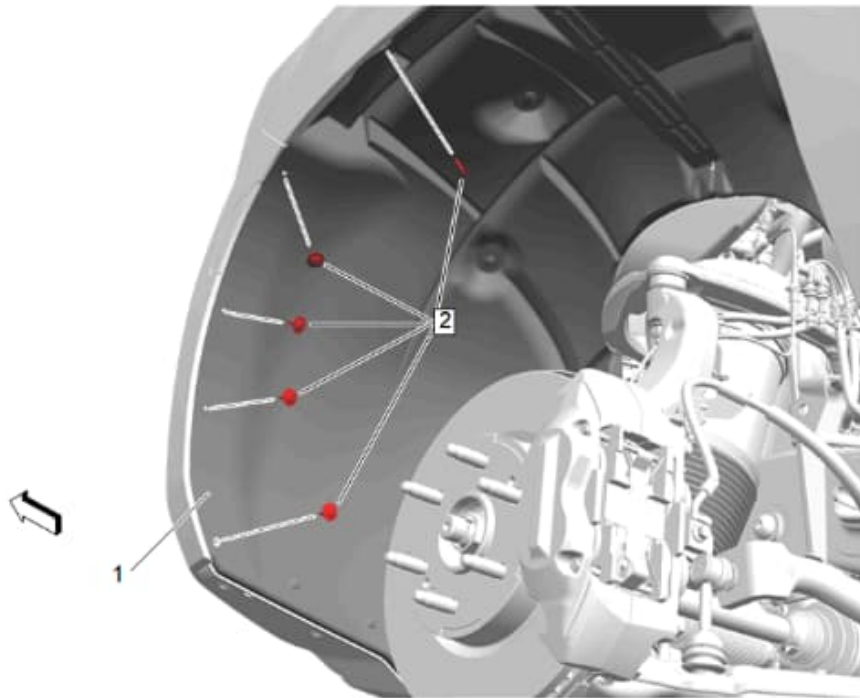


6. Hood Latch Actuator Bolt (1) » Remove [2x]
7. Hood Secondary Latch Release Handle (2) » Remove

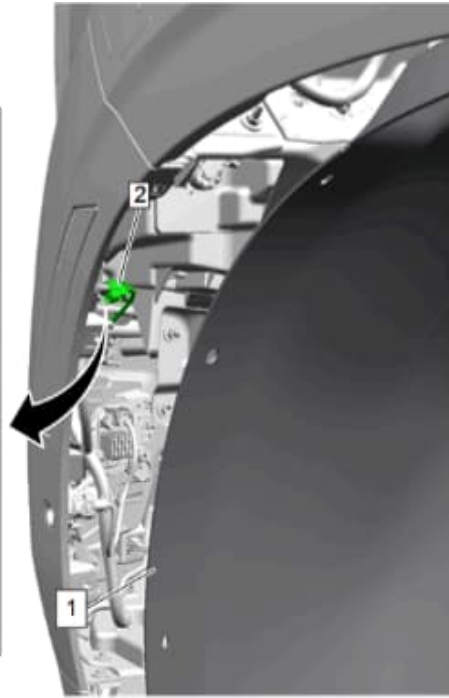
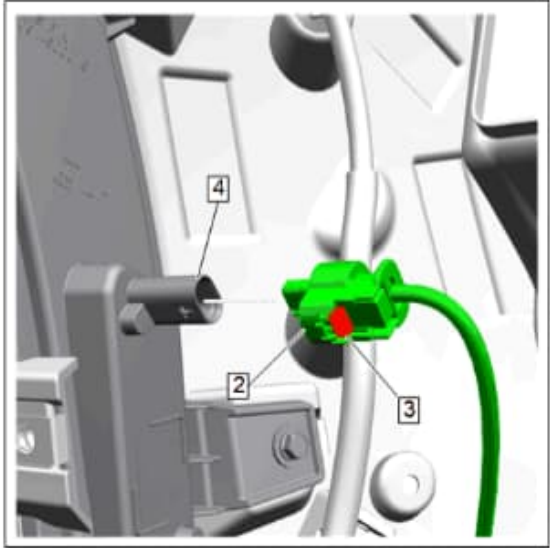


8. Air Inlet Grille Panel Retainer (1) » Remove [9x]

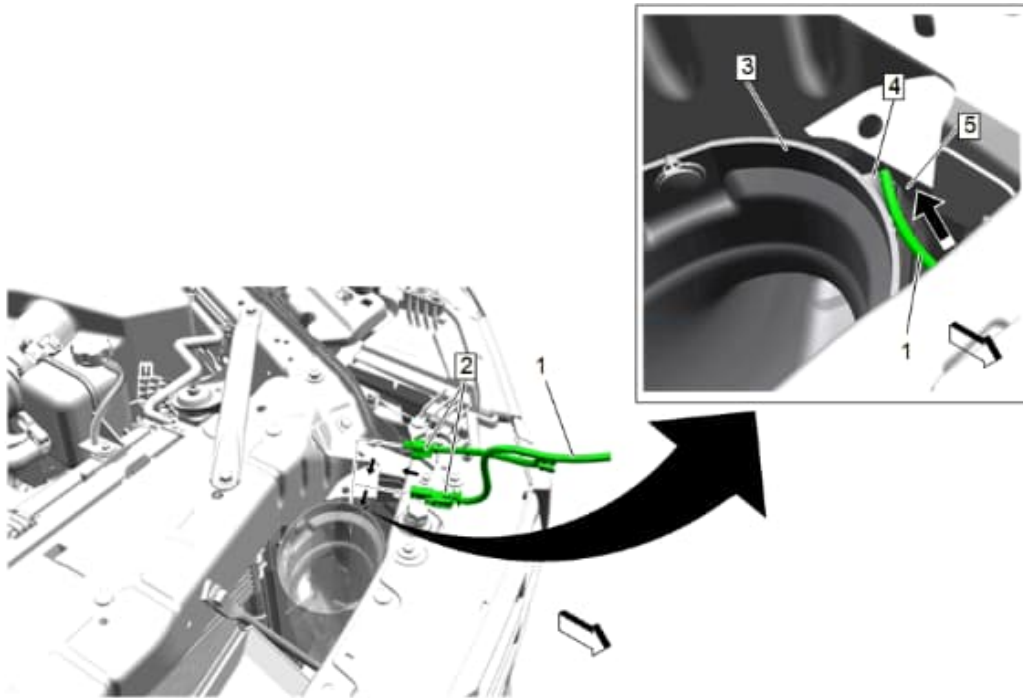
9. Intake Air Grille (2) » Remove



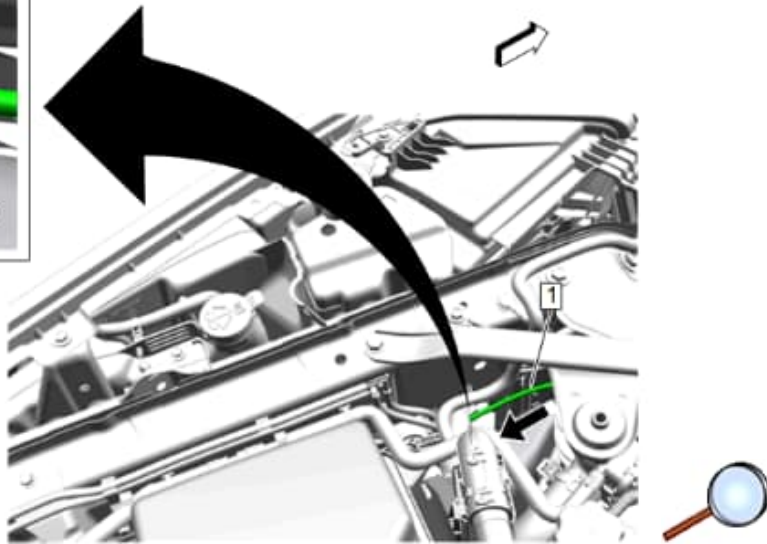
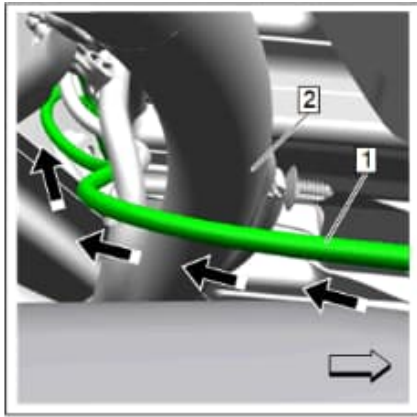
10. Remove the five T-15 torx screws (2) from the left front wheelhouse liner (1).



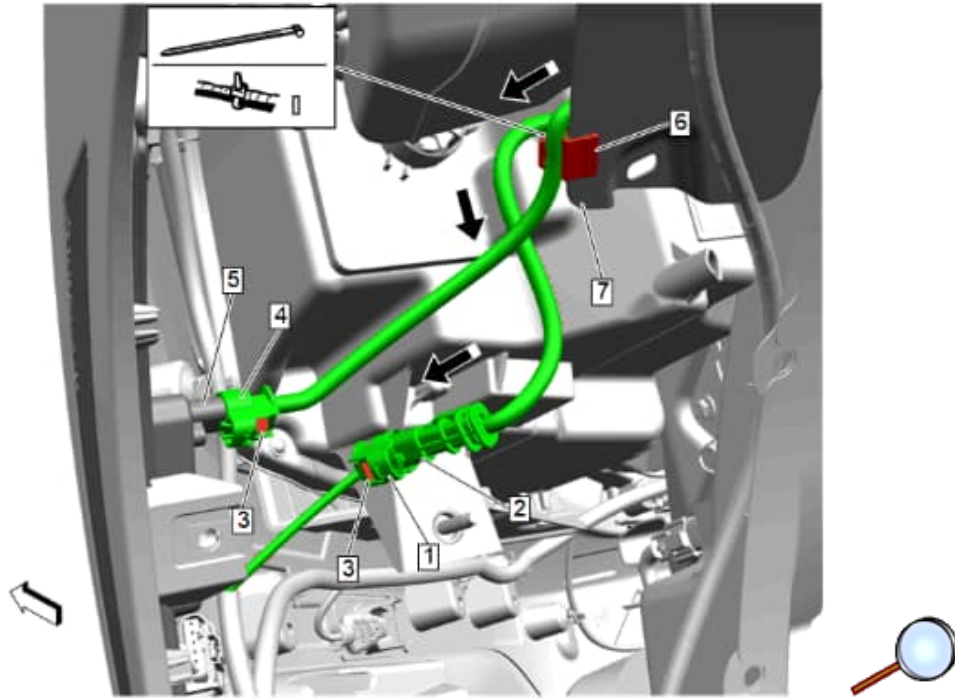
11. Pull back left front wheelhouse liner (1) enough to gain access to the left side marker lamp connector (2).
12. Pull back the CPA (3) on the left side marker lamp connector (2) and disconnect left side marker lamp connector (2) from left side marker lamp (4).



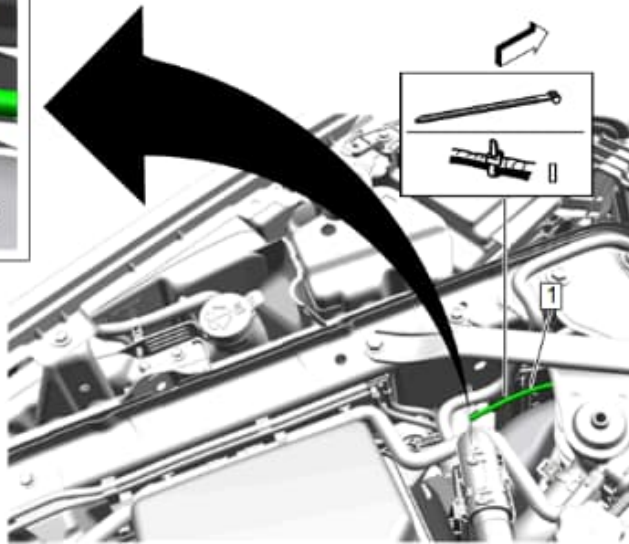
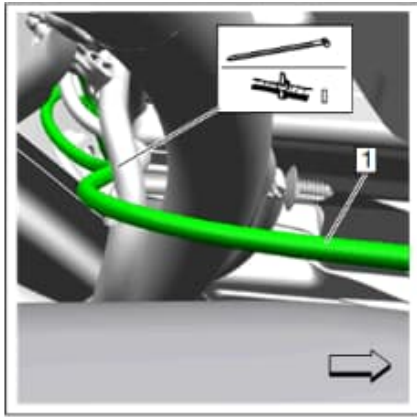
13. Route the two connector jumper portion (2) of accessory harness (1) through area (4) along side the left of intake duct (3) and sheet metal (5) towards left side marker lamp connector.



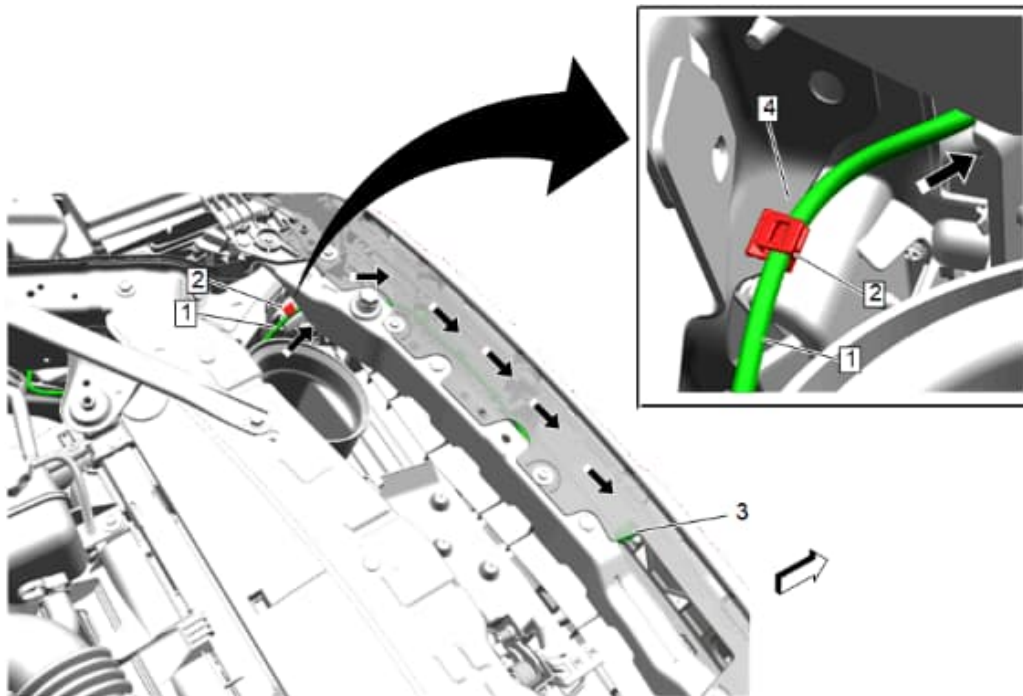
14. Continue to route accessory harness (1) along the left side of vehicle harness (2) through the wheelhouse area towards the left side marker lamp connector



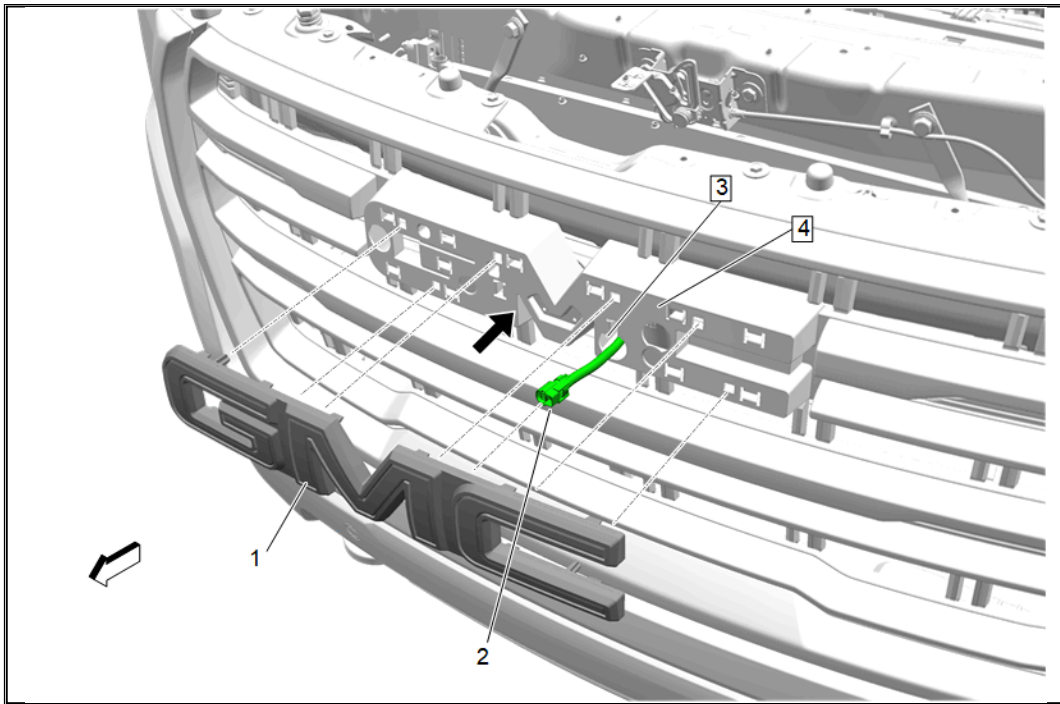
15. Connect one end of accessory harness (4) to the left side marker lamp connector (5) and the other connector (2) to the previously disconnected left side marker lamp harness connector (1). Make sure the CPA (3) is locked on both connectors.
16. Secure accessory harness to the sheet metal (7) with clip (6) and secure harness with zip tie in area shown. Trim excess off zip tie.



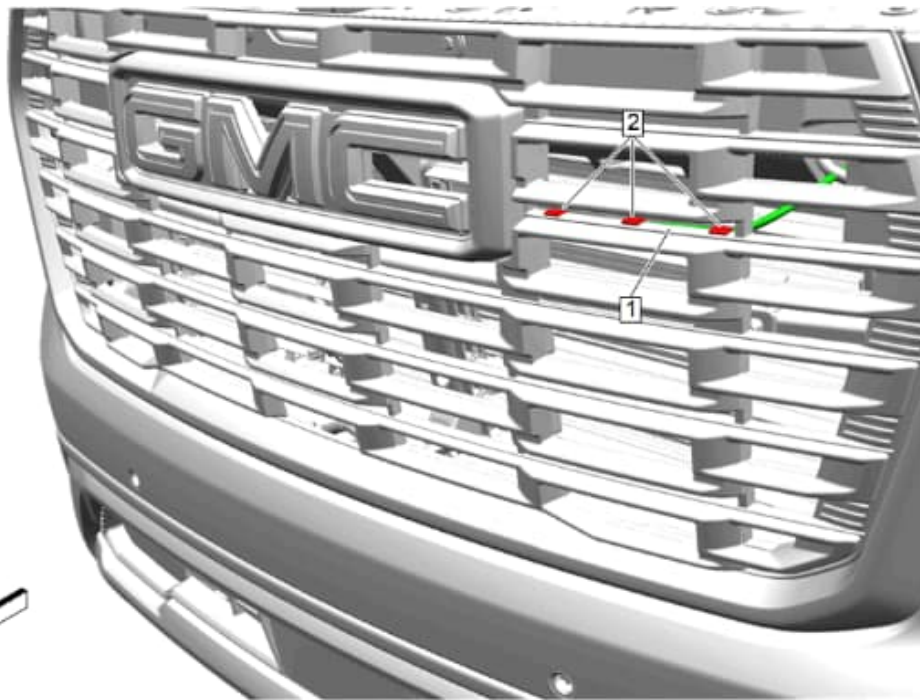
17. Secure the accessory harness (1) with zip tie in areas shown. Trim excess off zip tie.



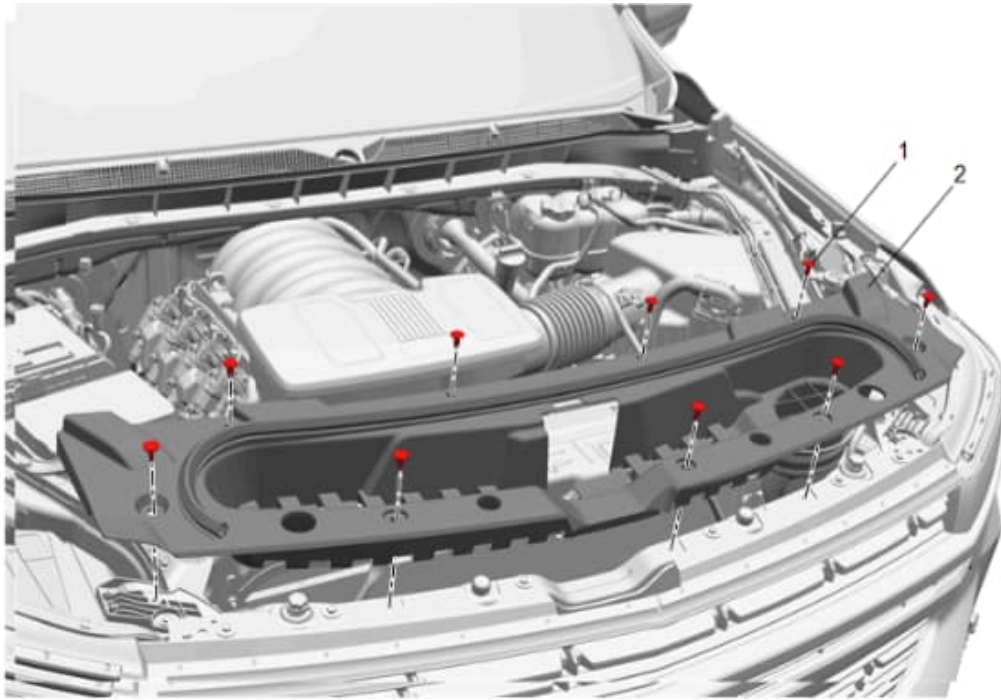
18. Continue to route the other end of accessory harness (1) along the left side of core support through opening.
19. Continue to route accessory harness between the air shudder and grille towards the grille hole (3) for GMC emblem connector.
20. Secure accessory harness (1) to left core support (4) with clip (2).



21. Route the accessory harness connector (2) through the hole (3) in front grille (4) on the GMC emblem area. Connect the accessory harness connector (2) to the illuminated GMC emblem (1) and accurately position the illuminated GMC emblem (1) to grille (4) using the locating pins. Do not attach emblem to grille at this point.
22. Confirm fog lamp, headlamp and grille emblem operation before securing emblem to grille.
23. Install the new emblem to grille, applying enough evenly distributed pressure to engage the locking/retention tabs.

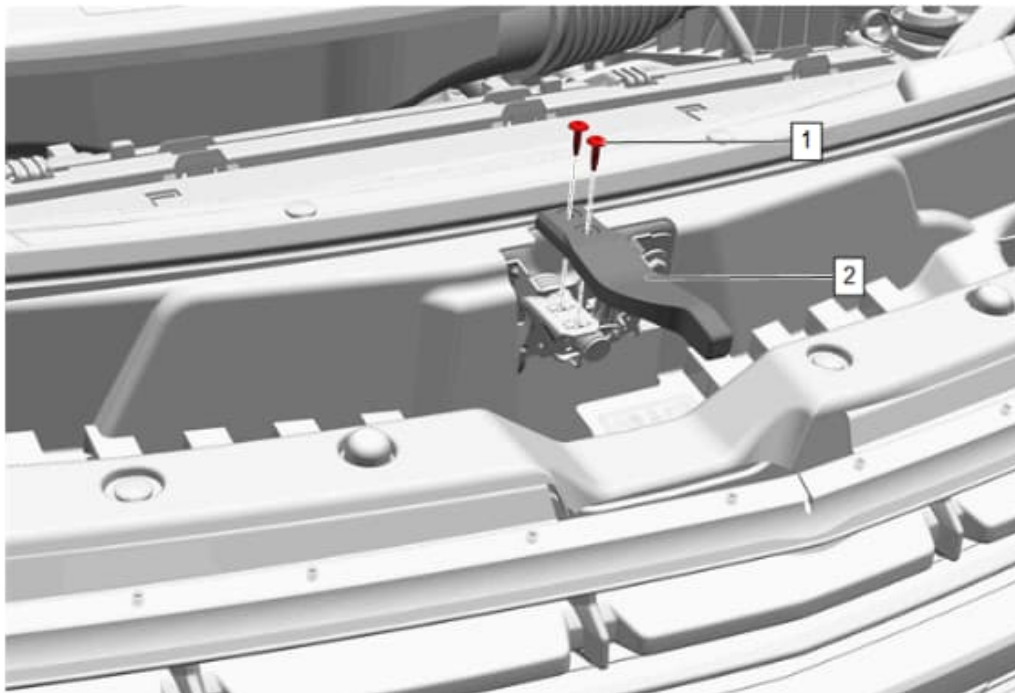


24. Secure harness to back side of grille (1) with clips (2).
25. Verify that the emblem is fully seated and securely attached to the grille.



26. Intake Air Grille (2) » Install

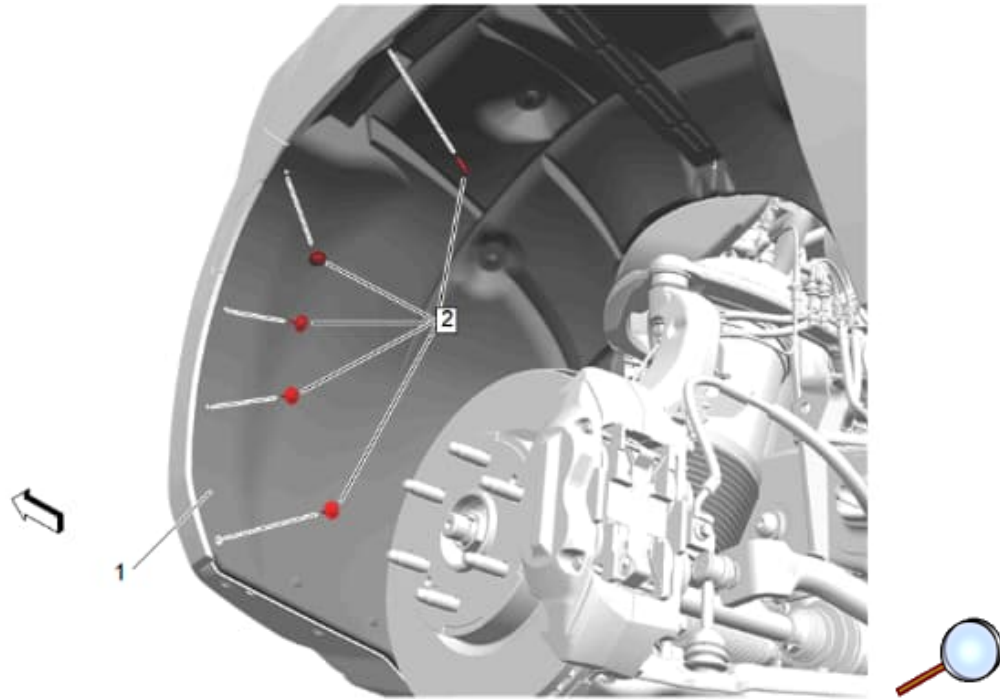
27. Air Inlet Grille Panel Retainer (1) » Install [9x]



28. Hood Secondary Latch Release Handle (2) » Install

Caution: Use the correct fastener in the correct location. Replacement fasteners must be the correct part number for that application. Fasteners requiring replacement or fasteners requiring the use of thread locking compound or sealant are identified in the service procedure. Do not use paints, lubricants, or corrosion inhibitors on fasteners or fastener joint surfaces unless specified. These coatings affect fastener torque and joint clamping force and may damage the fastener. Use the correct tightening sequence and specifications when installing fasteners in order to avoid damage to parts and systems.

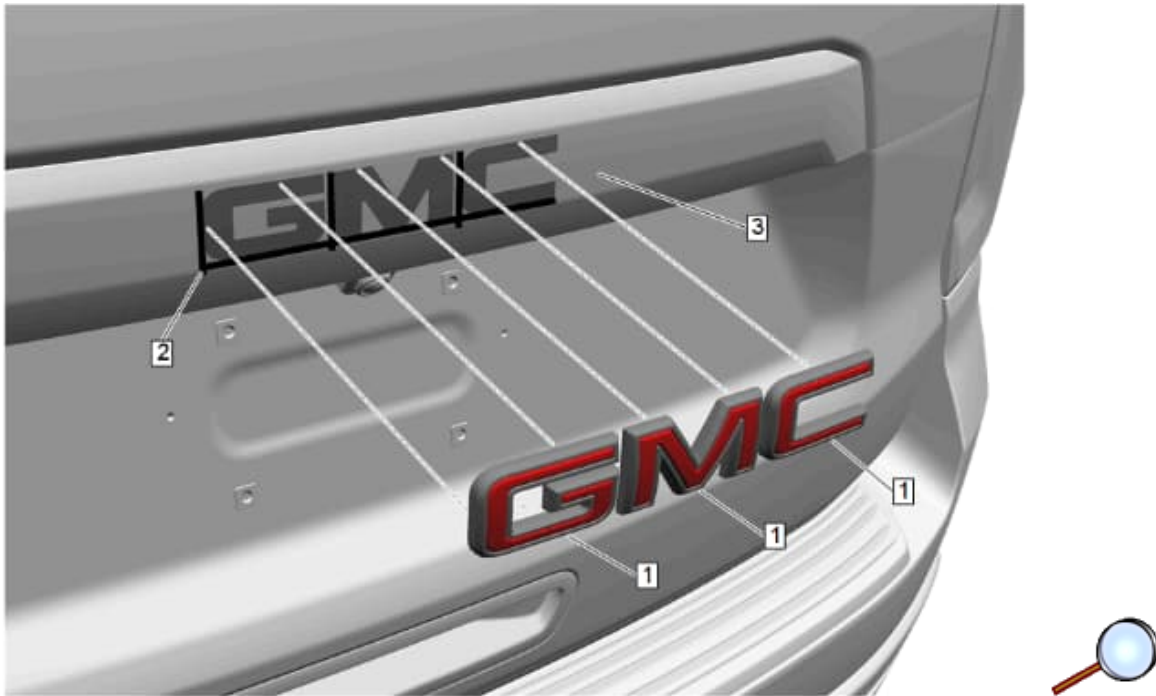
29. Hood Latch Actuator Bolt (1) » Install and tighten [2x] Tighten bolts to 2.5 N.m (22 lb in).



30. Reposition the left front wheelhouse liner (1) and re-install the five T-15 torx screws (2). Tighten the screws to 2.5 N.m (22 lb in).

Rear Black GMC Emblem Replacement

1. Turn off vehicle.



2. Mark the position of the emblem with a washable marker or masking tape (2) prior to removal.

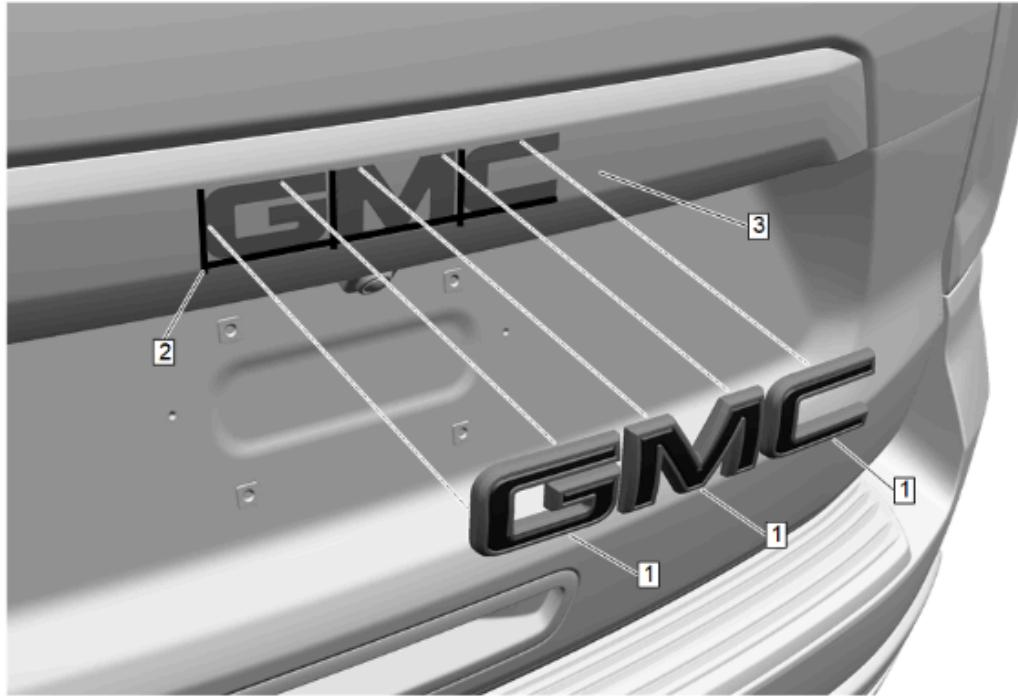
Caution: DO NOT use heat gun to remove emblems from any plastic part (applique) or around any plastic part. Applying heat to emblem may damage the finish of the surrounding plastic part (applique) resulting in replacing the plastic parts (applique).

Caution: Use a plastic, flat-bladed tool to prevent paint damage when removing an emblem/name plate.

3. Carefully remove the existing emblems (1) from the liftgate surface (3) using a plastic flat-bladed tool .
4. Clean any remaining residue with a 50/50 mixture by volume of isopropyl alcohol and clean drinkable water. Wipe surface dry with a clean lint-free towel.

5. Installing the Rear Emblem:

- 5.1. The part surface should be 21°C (70°F) prior to installation. The vehicle should remain 21°C (70°F) for one hour after assembly to allow adhesive to develop sufficient bond strength.
- 5.2. When removing protective liners from the adhesive tape, be careful not to touch tape with hands and do not allow tape to come in contact with dirt or any foreign matter prior to adhesion.



- 5.3. Position new emblems (1) carefully within reference marks (2) and place on prepared surface of liftgate (3).
- 5.4. Using the palm of the hand, apply strong pressure to all areas of the emblem to ensure full adhesion is achieved.
- 5.5. Carefully remove any markings or tape used to locate the rear emblem. Clean the liftgate surface as needed.



6. Liftgate emblem complete (1).