

Floor Auxiliary Mat Set Installation

Installation Instructions Part Number

85131698

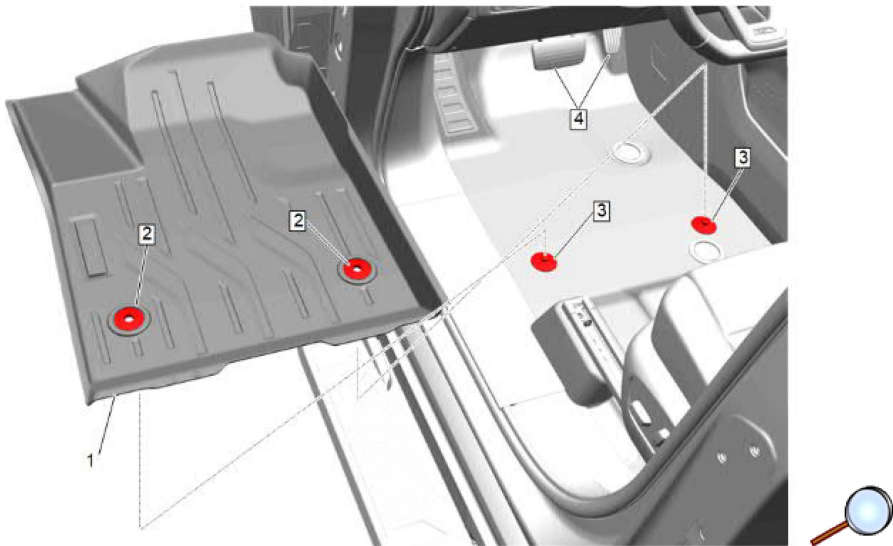
Kit Contents

Qty	Description
1	Front Floor Liner – Driver Side
1	Front Floor Liner – Passenger Side
1	Second Row Floor Liner – 2 piece
1	Second Row Under Seat Floor Liner – 2 piece
1	Installation Instructions

Procedure

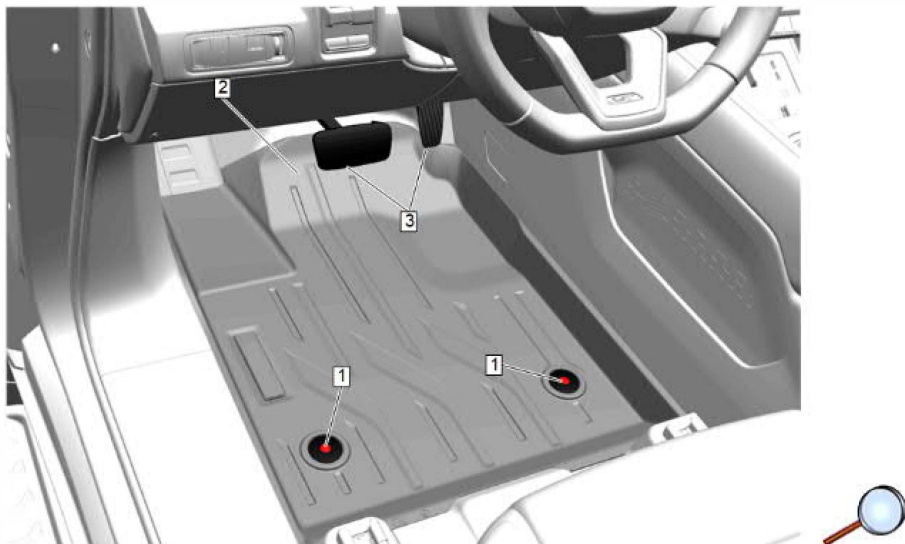
Front Liners

1. Move the front seats to rearward position.
2. Remove any current installed floor liners/mats from vehicle.



Note: Do not place floor liners over existing floor liners/mats.

3. Position the driver side floor liner (1) under the brake and accelerator pedals (4) while positioning the floor liner retainers (2) to the carpet retainers (3).



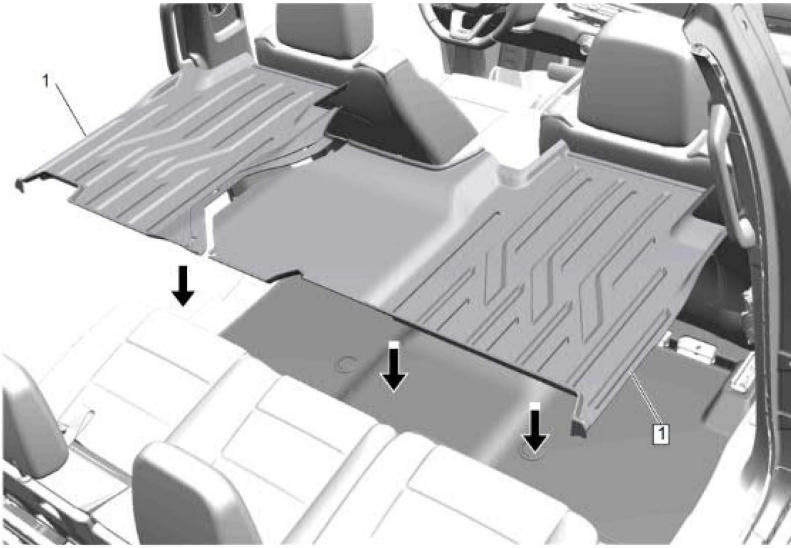
4. Secure the floor liner retainers to the carpet retainers (1) by pressing into position.

Note: Make sure the floor liner (2) does not interfere with the brake and accelerator pedals (3).

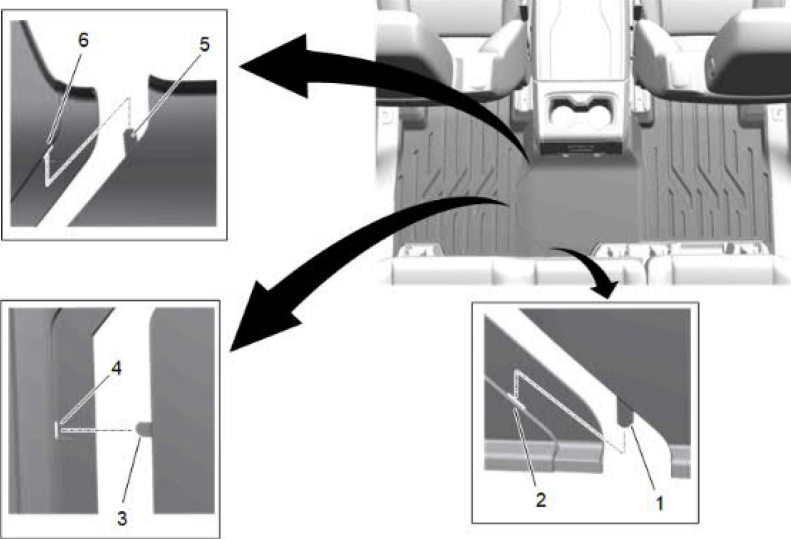
5. Install the passenger side floor liner to the passenger side floor while by pressing into position.

Rear Floor Liner – Second Row

1. Move the front seats to most forward position.
2. Remove any current installed floor liners/mats from vehicle.

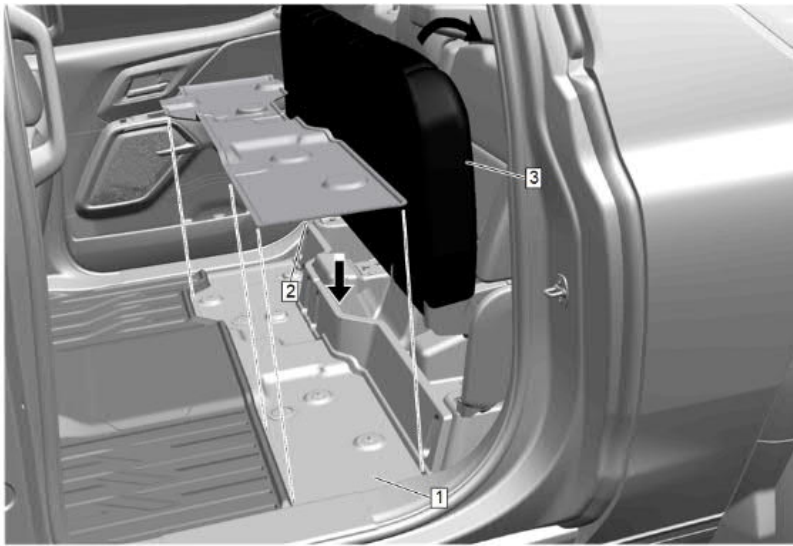


3. Place the second row floor liners (1) on the floor side by side with the passenger side overlapping the driver side.

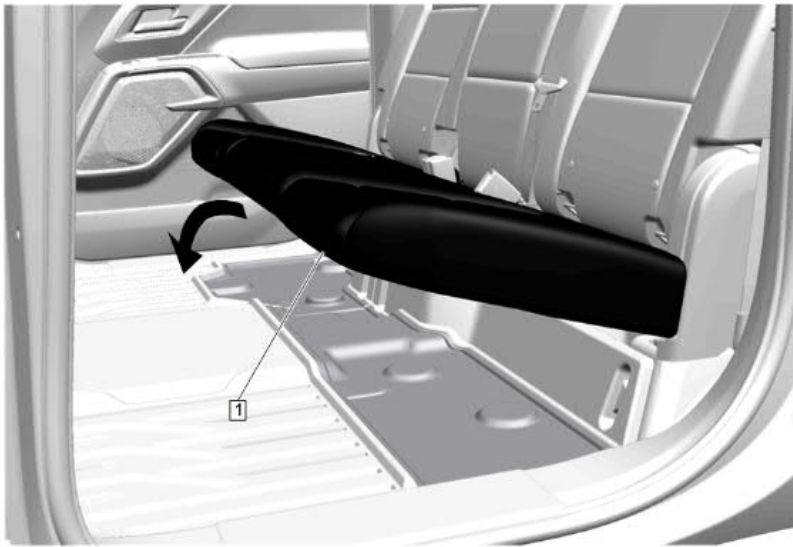


4. Starting with the first tab (1) closest to the rear seat, use your fingers to lift the passenger side floor liner with the tabs and use your thumb to guide the tab (1) into the slot (2) of the driver side liner.
5. Move on to the top tab (5). Use your thumb to raise the passenger liner and guide the tab (5) into the slot (6).
6. Moving on to the middle tab (3). Use your thumb to raise the passenger side liner and guide the middle tab (3) into the slot (4) of driver side liner. Be careful not to raise the passenger liner too much or the top tab will disengage.

Under Seat Rear Floor Liner - Second Row



1. Move the rear seat cushions (3) to the up position.
2. Place the second row under seat floor liners (2) on the floor (1) side by side.
3. Place the second row floor liners (1) on the floor side by side with the passenger side overlapping the driver side.



4. Lower the rear seat cushions (1).