

Front Fender Mud Guard Package Installation (Instruction ID: 85156345)

[Installation Instructions Part Number](#)

85156345

Please read instructions thoroughly before starting.

Kit Contents

| Qty | Description |
|-----|-------------------------|
| 1 | Left Hand Splash Guard |
| 1 | Right Hand Splash Guard |
| 6 | Screw |
| 6 | Washer |
| 2 | Plastic W-Clip |
| 1 | Instruction Sheet |

© 2024 General Motors. All rights reserved.

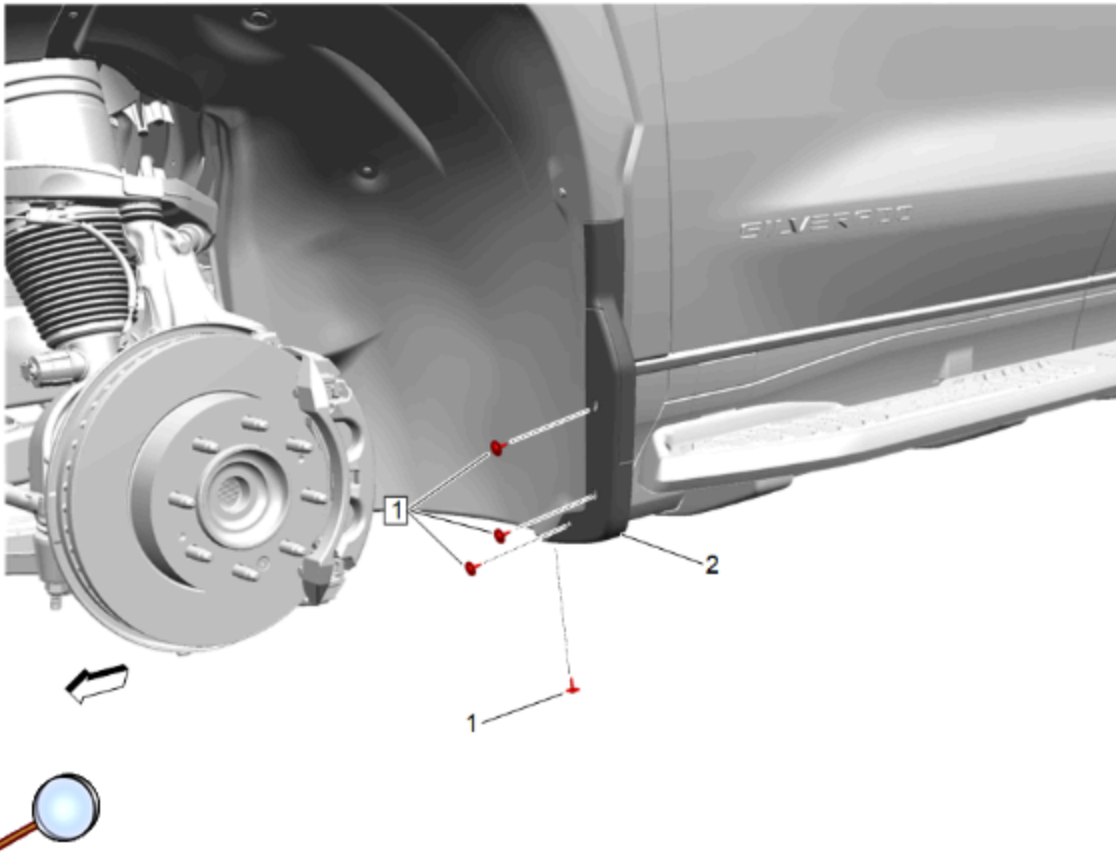
[Special Tools](#)

- T15 Torx Screwdriver
- Clean Cloth/Rag
- Clip Removal Tool

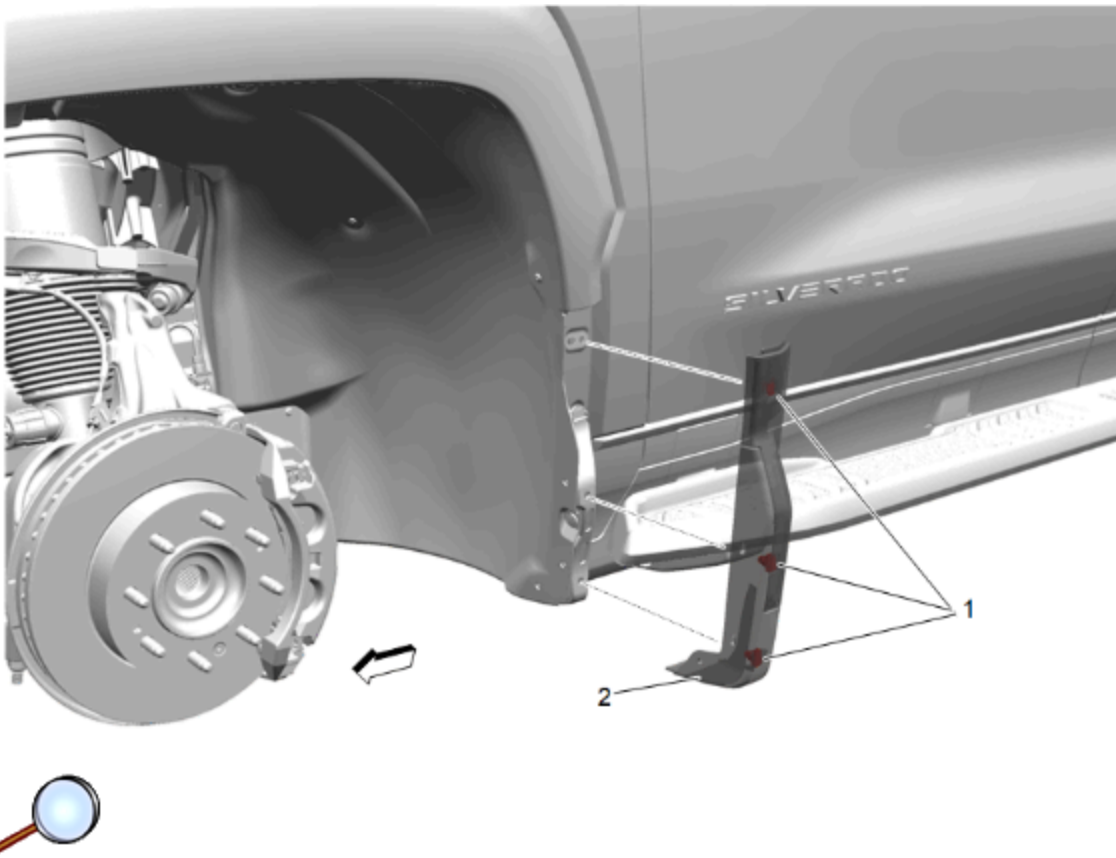
[Procedure](#)

Note: It is not necessary to remove the front wheel/tire assembly for installation. Tire and wheel shown removed for clarity.

1. Turn front wheel to provide adequate clearance.

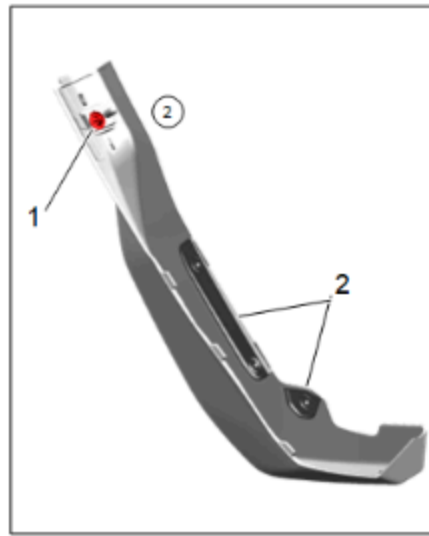
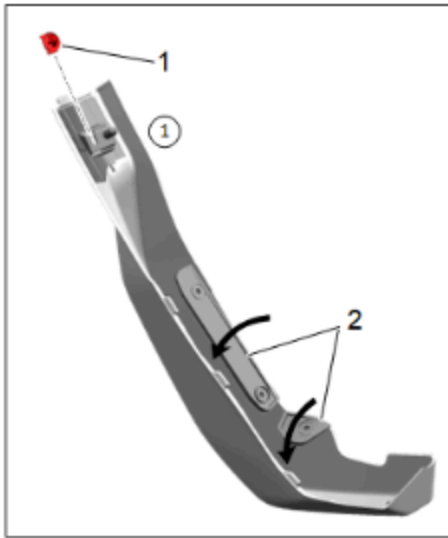


2. Remove and discard the four screws (1) from the front stone protector (2).

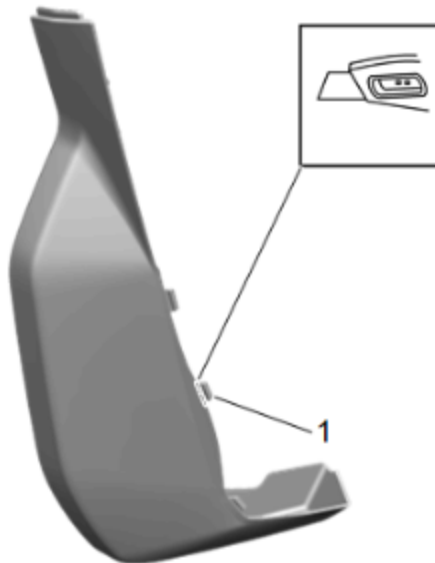


3. Using a suitable tool, disengage the clips (1) and remove stone protector (2). Discard stone protector.

4. Clean and degrease body panel where splash guards are to be located.

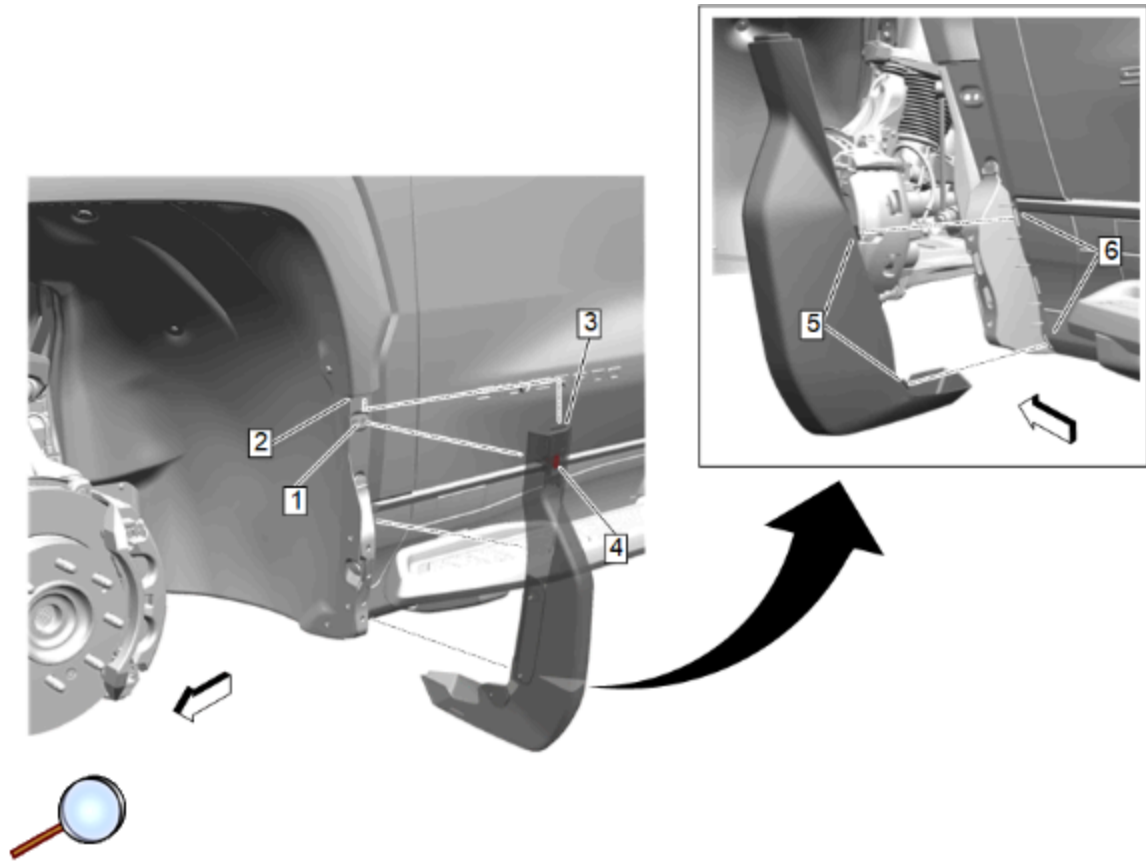


5. Install the plastic W-clip (1) into splash guard doghouse. Make sure foldable hinges (2) are folded into place.

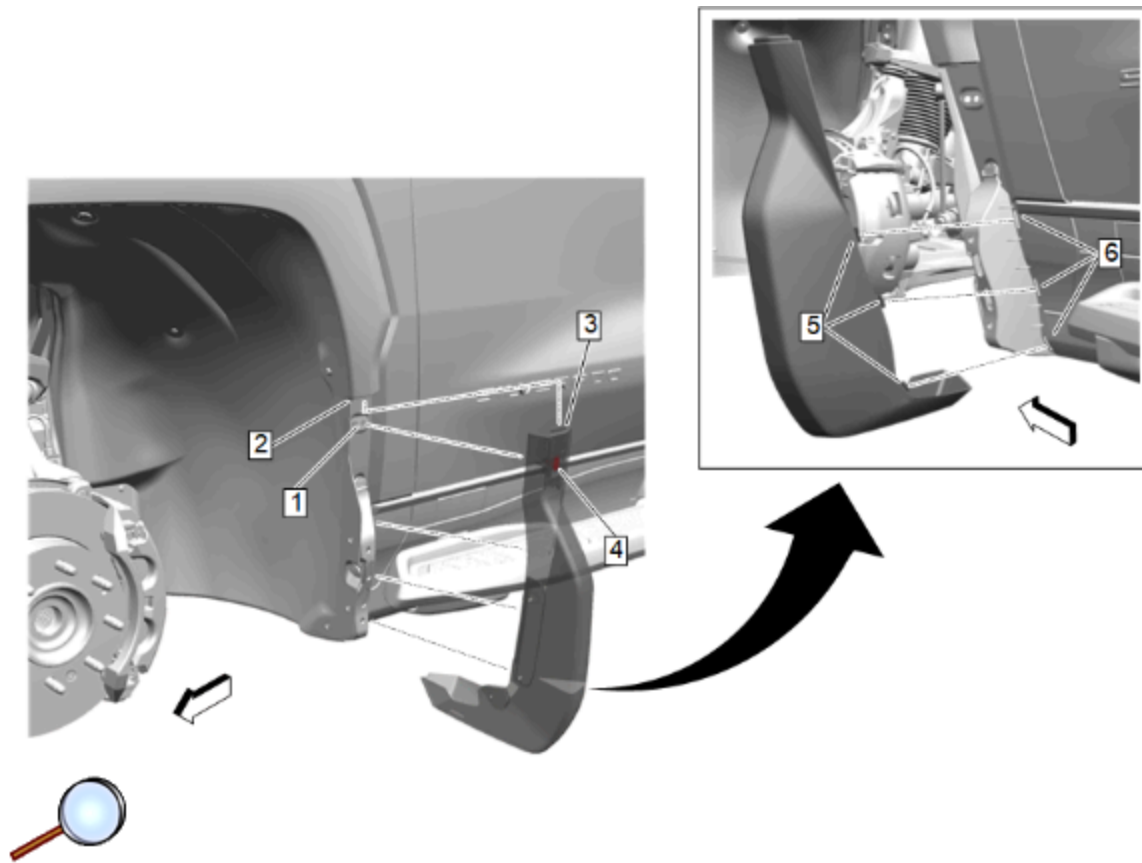


Note: Steps 6,7 and 8 apply to RST Vehicles Only. For NON RST Vehicles proceed to Step 9.

6. Using a suitable cutting tool, cut and remove the middle tab (1) from the splash guard.

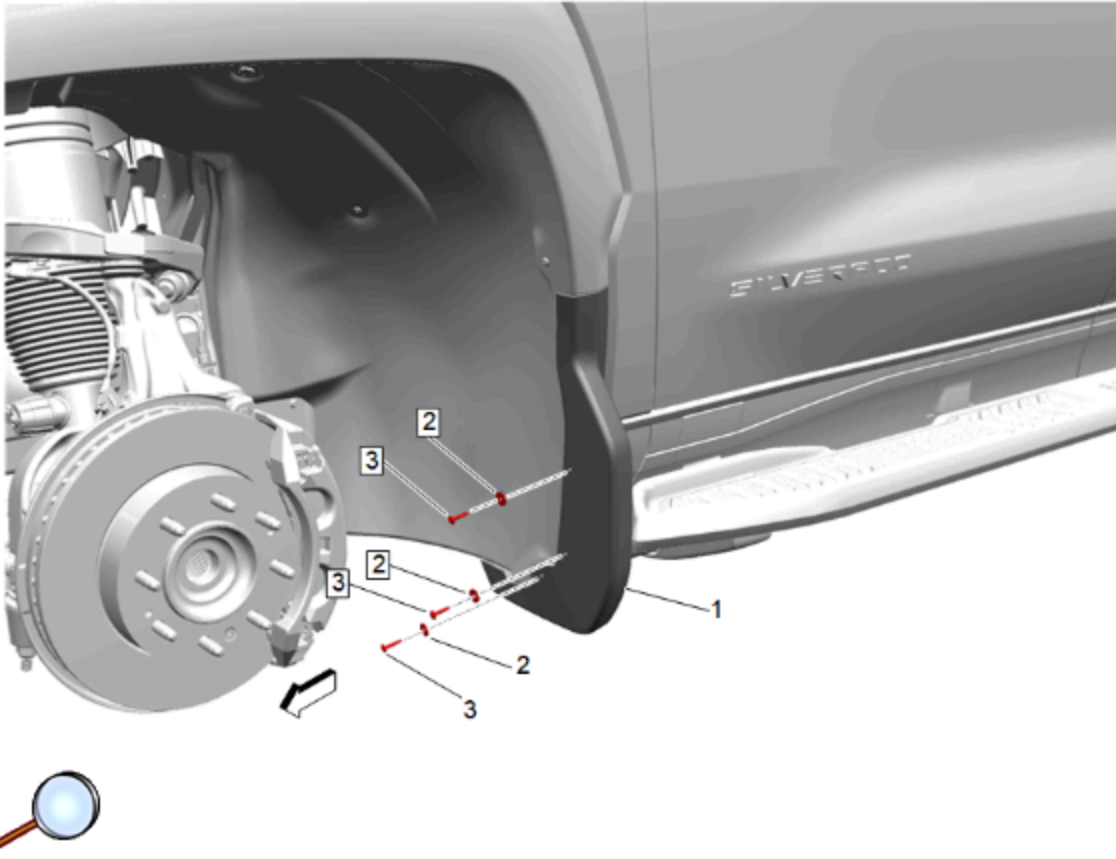


7. Insert top lip (3) of the splash guard into the bottom of front wheel opening molding (2) while inserting doghouse locating pillar and W-clip (4) into the hole (1) in the sheet metal. Insert splash guard tabs (5) into the rocker slotted openings (6).
8. Make sure that the splash guard and front wheel opening molding are aligned, and feature line gap is uniform.



Note: Steps 9 and 10 apply to NON RST Vehicles Only.

9. Insert top lip (3) of the splash guard into the bottom of front wheel opening molding (2) while inserting doghouse locating pillar and W-clip (4) into the hole (1) in the sheet metal. Insert splash guard tabs (5) into the rocker slotted openings (6).
10. Make sure that the splash guard and front wheel opening molding are aligned, and feature line gap is uniform.



Caution: Use the correct fastener in the correct location. Replacement fasteners must be the correct part number for that application. Fasteners requiring replacement or fasteners requiring the use of thread locking compound or sealant are identified in the service procedure. Do not use paints, lubricants, or corrosion inhibitors on fasteners or fastener joint surfaces unless specified. These coatings affect fastener torque and joint clamping force and may damage the fastener. Use the correct tightening sequence and specifications when installing fasteners in order to avoid damage to parts and systems.

11. Taking care to remove any gaps to the vehicle, Install supplied screws (3) and washers (2) to splash guard (1).

Tighten

Tighten screw to 3.0 N.m (2.0 lb ft)

12. Repeat procedure for other side.
13. Guards can be cleaned with any commercially available cleaner.