

# Rear Mud Guard Package Installation (Instruction ID: 85156349)

## [Installation Instructions Part Number](#)

85156349

Please read instructions thoroughly before starting.

### Kit Contents

Qty	Description
1	Left Hand Splash Guard
1	Right Hand Splash Guard
8	Screw
8	Washer
2	Rivet
2	U-Nut
1	Instruction Sheet

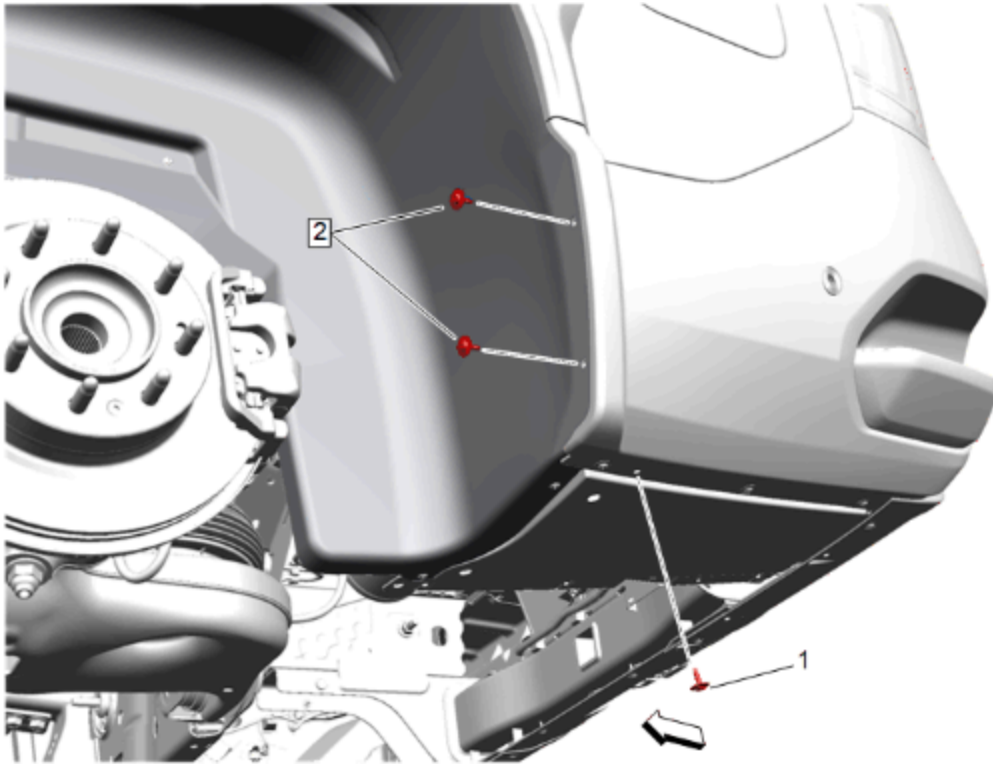
© 2024 General Motors. All rights reserved.

## [Special Tools](#)

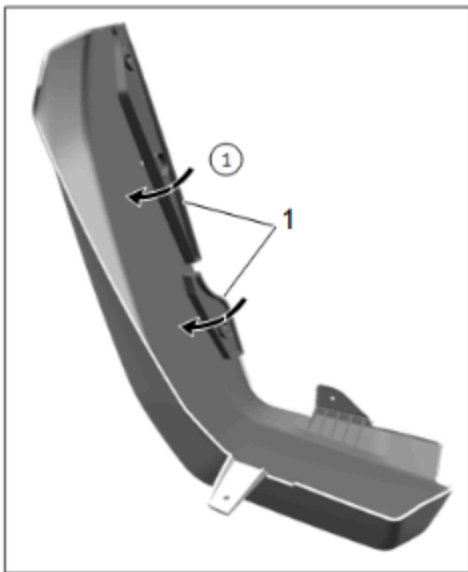
- T15 Torx Screwdriver
- 5mm (13/64") Drill Bit/Drill
- Rivet Gun
- Awl
- Clean Cloth/Rag

## [Procedure](#)

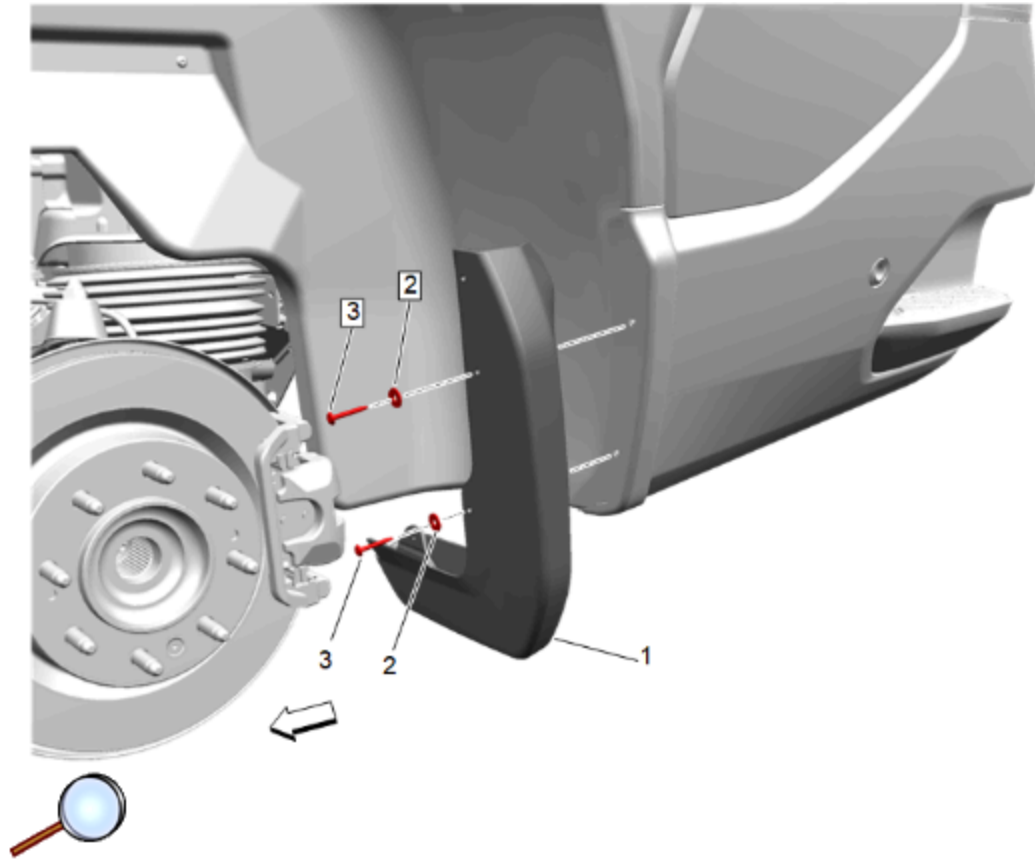
1. Remove the rear wheel and tire assembly. Refer to [Tire and Wheel Removal and Installation](#) in Vehicle Service Manual.



2. Remove the two screws (2) from the wheel house panel and the screw (1) from the lower fascia. Discard screws.
3. Clean and degrease body panel where splash guards are to be located.



4. . Make sure foldable hinges (1) are fully folded into place.

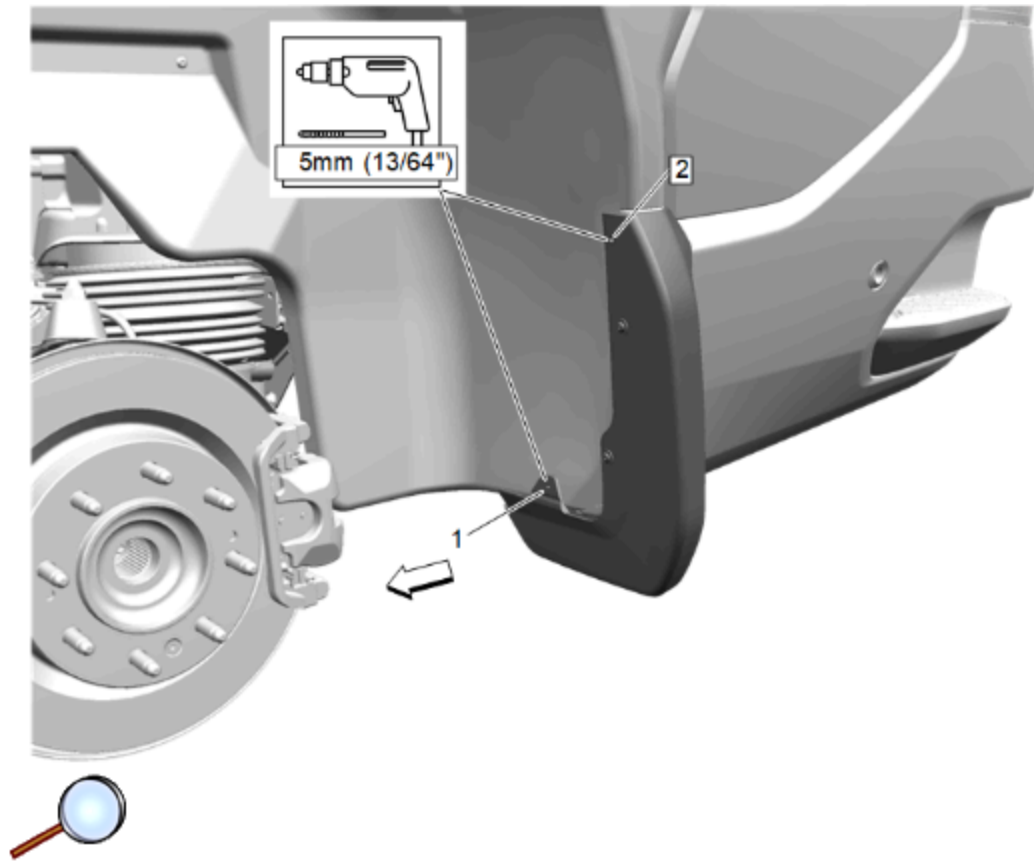


**Caution:** Use the correct fastener in the correct location. Replacement fasteners must be the correct part number for that application. Fasteners requiring replacement or fasteners requiring the use of thread locking compound or sealant are identified in the service procedure. Do not use paints, lubricants, or corrosion inhibitors on fasteners or fastener joint surfaces unless specified. These coatings affect fastener torque and joint clamping force and may damage the fastener. Use the correct tightening sequence and specifications when installing fasteners in order to avoid damage to parts and systems.

5. Place splash guard (1) to vehicle ensuring that there are not gaps to the vehicle and align the top of splash guard to be flush with the wheel opening molding/fascia feature line. Install two screws (3) with washers (2) on to the fascia attachment.

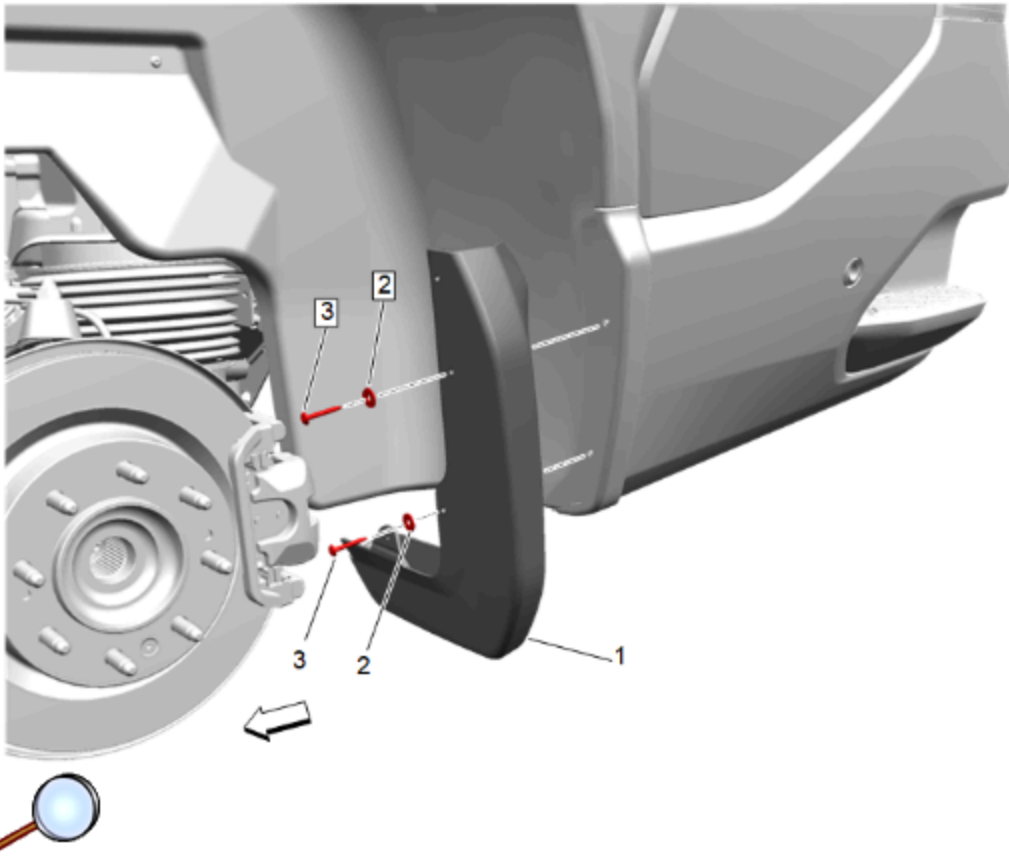
**Tighten**

Tighten screws to 3.0 N.m (2.0 lb ft)

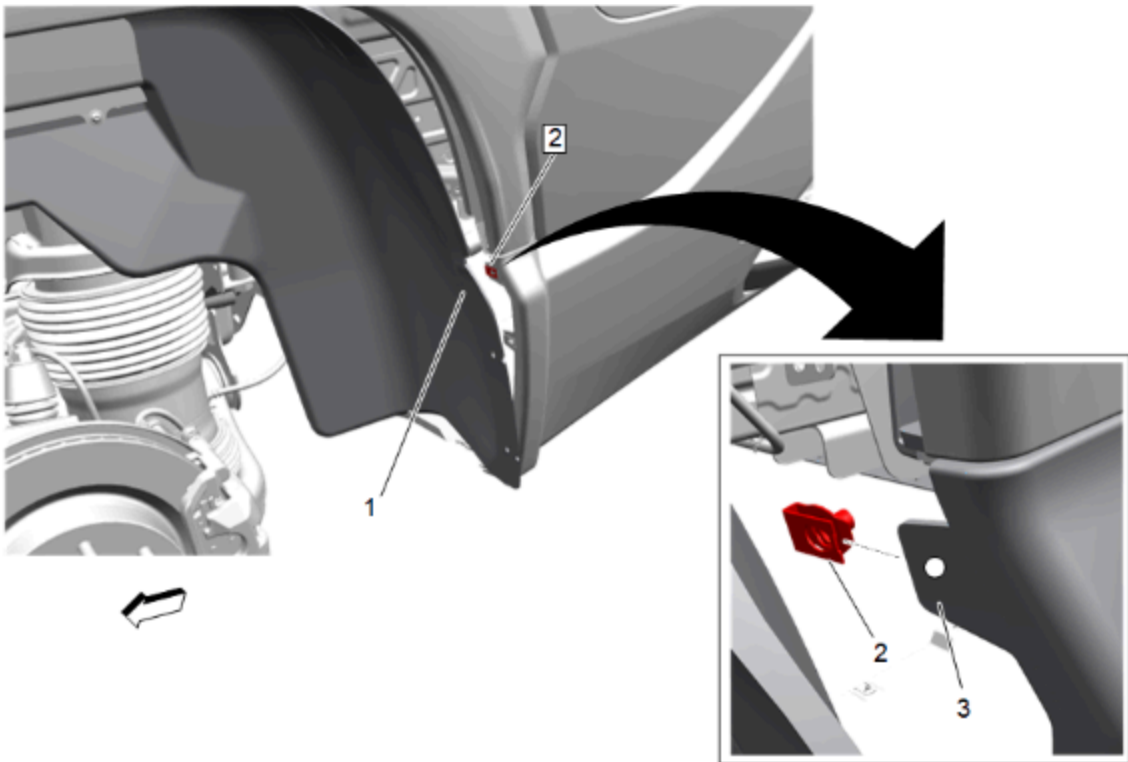


**Caution:** Always check size and position of all holes before drilling. Failing to do so may cause damage to the vehicle, misalignment of components or the inability to install the accessory.

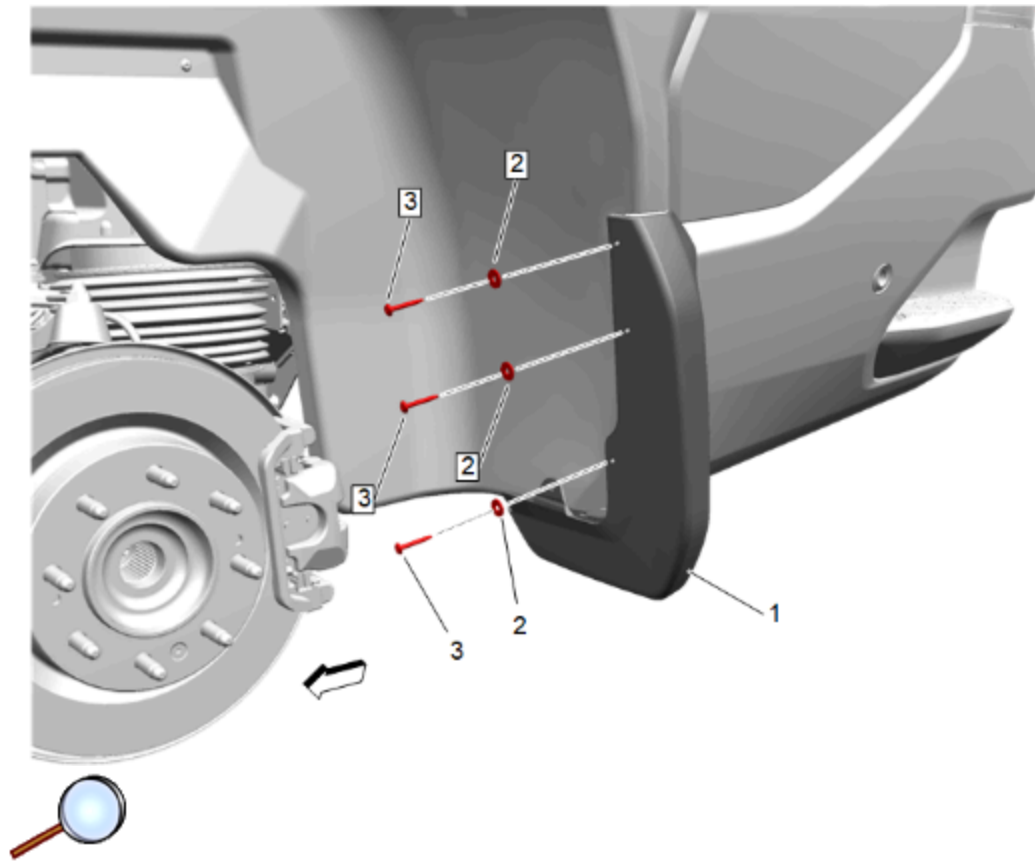
6. While holding the splash guard firmly to the vehicle to remove any gaps, using the upper hole (2) as a guide, carefully drill a 5mm (13/64") hole through the liner and plastic tab behind liner. Using the lower hole (1) as a guide, carefully drill a 5mm (13/64") hole through the liner only.



7. Remove the screws (3), washers (2) and splash guard (1).



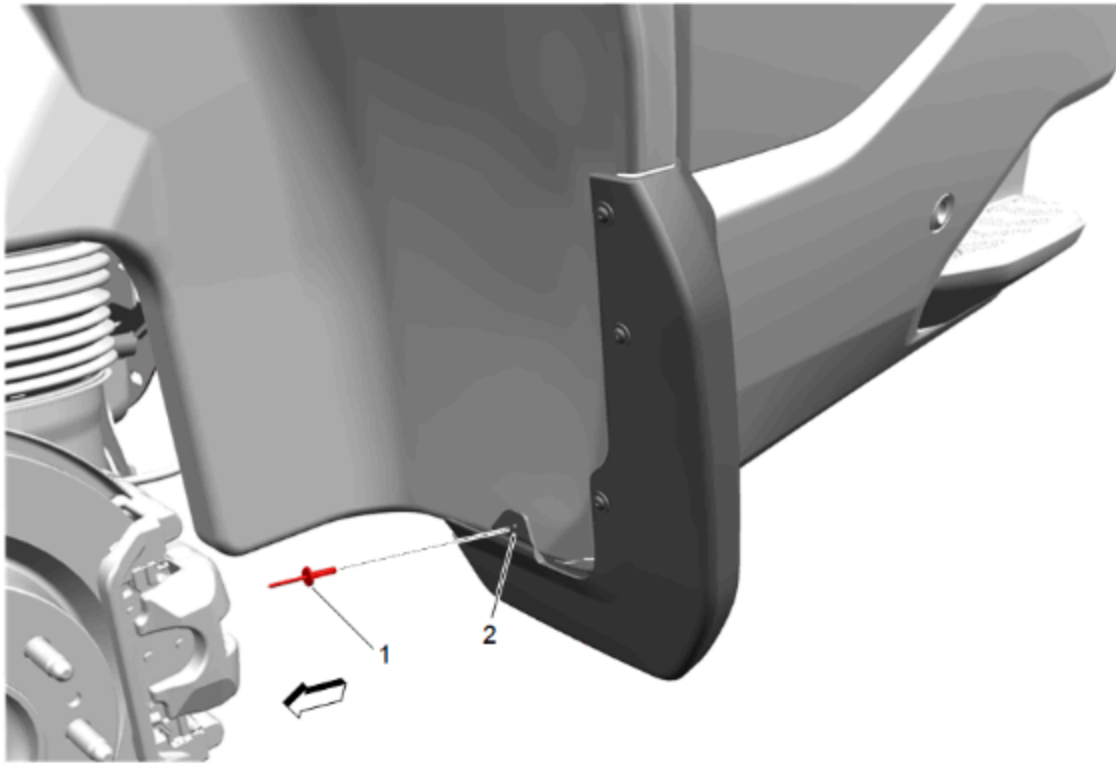
8. Reposition wheel liner (1) enough to expose hidden fascia bracket tab (3). Install U-nut (2) to the bracket tab (3) and reposition wheel liner (1).



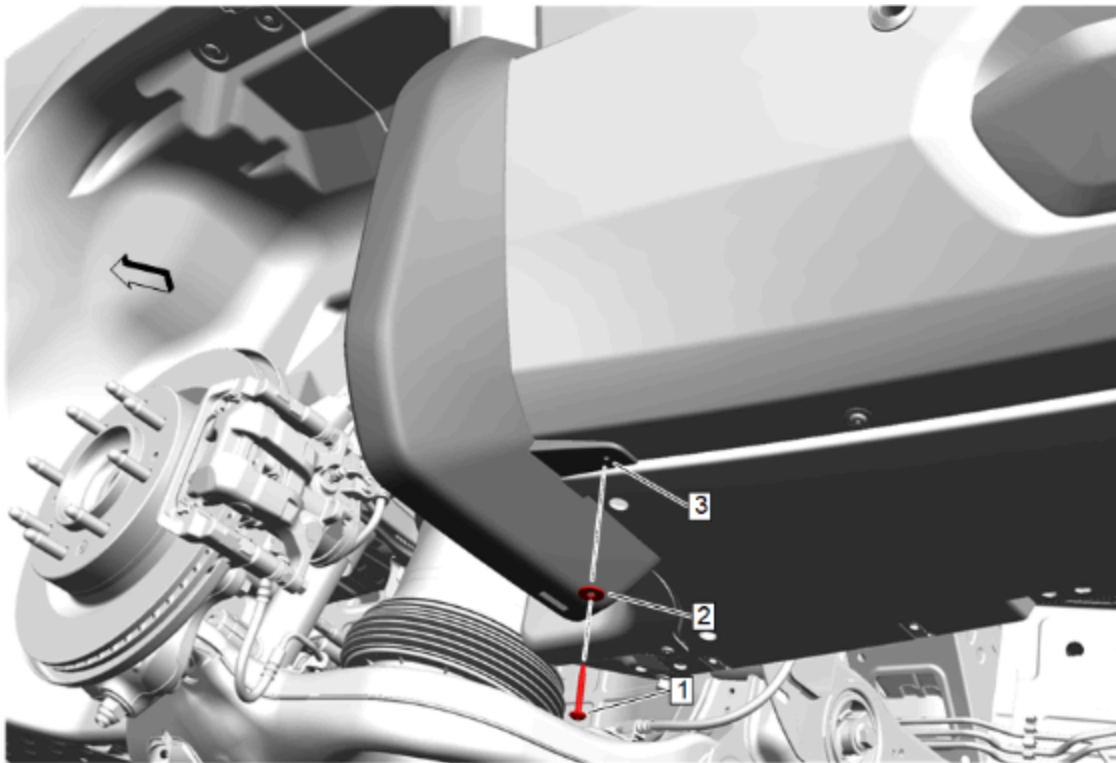
9. Reinstall splash guard (1) to vehicle, making sure that it fits flush with the fascia feature line and there are no gaps.
10. Install three screws (3) with washers (2) through splash guard in wheel well.

**Tighten**

Tighten screws to 3.0 N.m (2.0 lb ft)



11. Pull splash guard rearward if needed to maintain gap/flush appearance. Install supplied rivet (1) to splash guard location (2).



12. Install screw (1) and washer (2) to bottom of splash guard (3).

**Tighten**

Tighten screw to 3.0 N.m (2.0 lb ft)

13. Install the rear wheel and tire assembly. Refer to [Tire and Wheel Removal and Installation](#) in Vehicle Service Manual.

14. Repeat procedure for other side.

15. Guards can be cleaned with any commercially available cleaner.