

Front Fog Lamp Bezel Package Installation

Installation Instructions Part Number

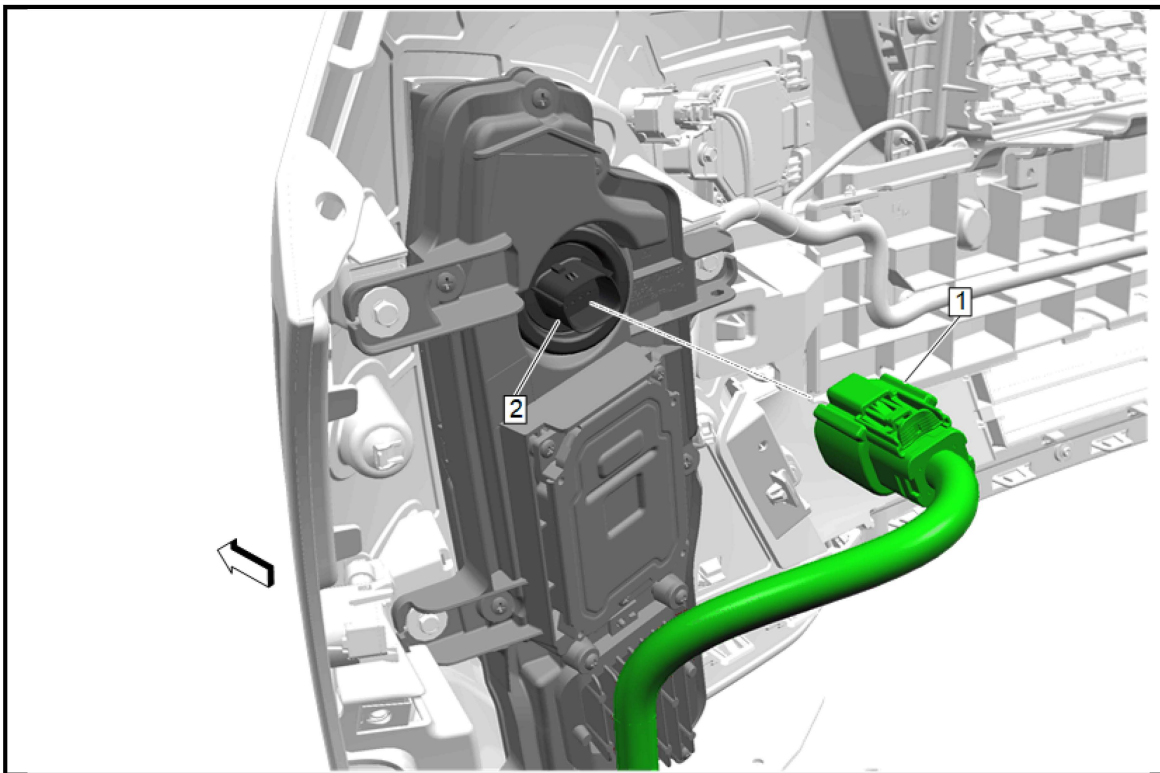
85510665

Kit Contents

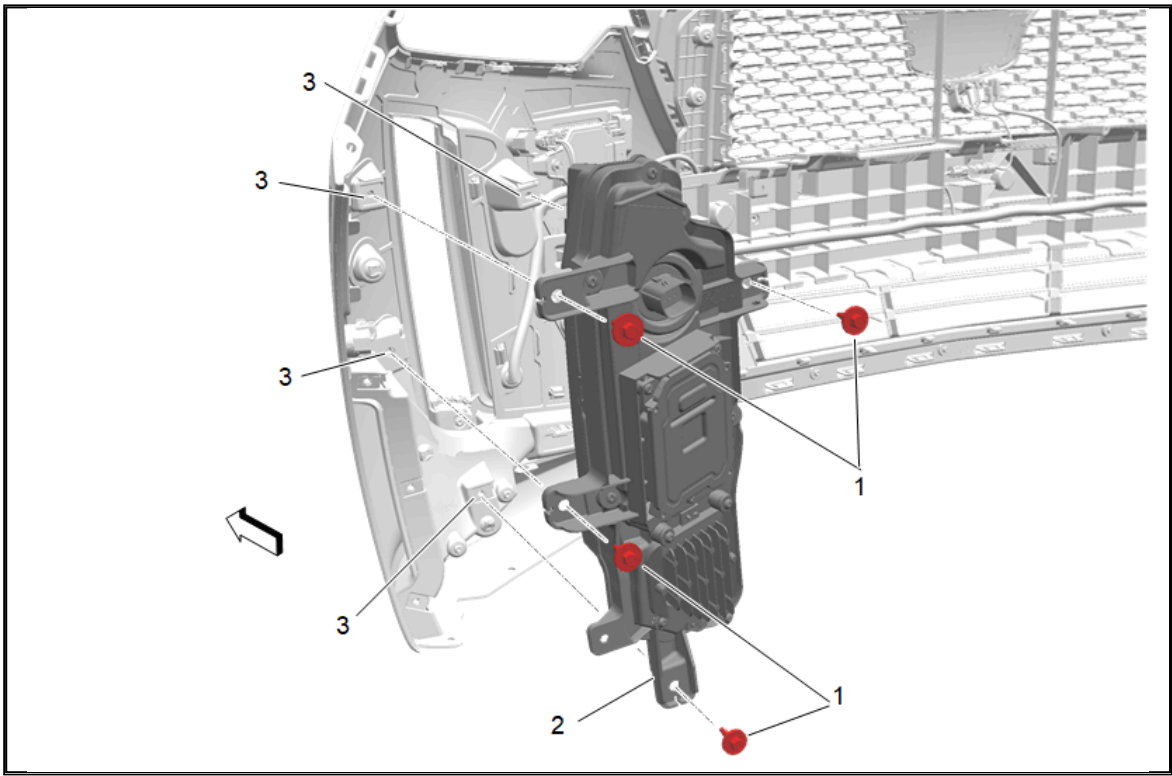
Description	Qty
Front Fog Lamp Bezel – Left	1
Front Fog Lamp Bezel – Right	1
Installation Instructions	1

Removal Procedure

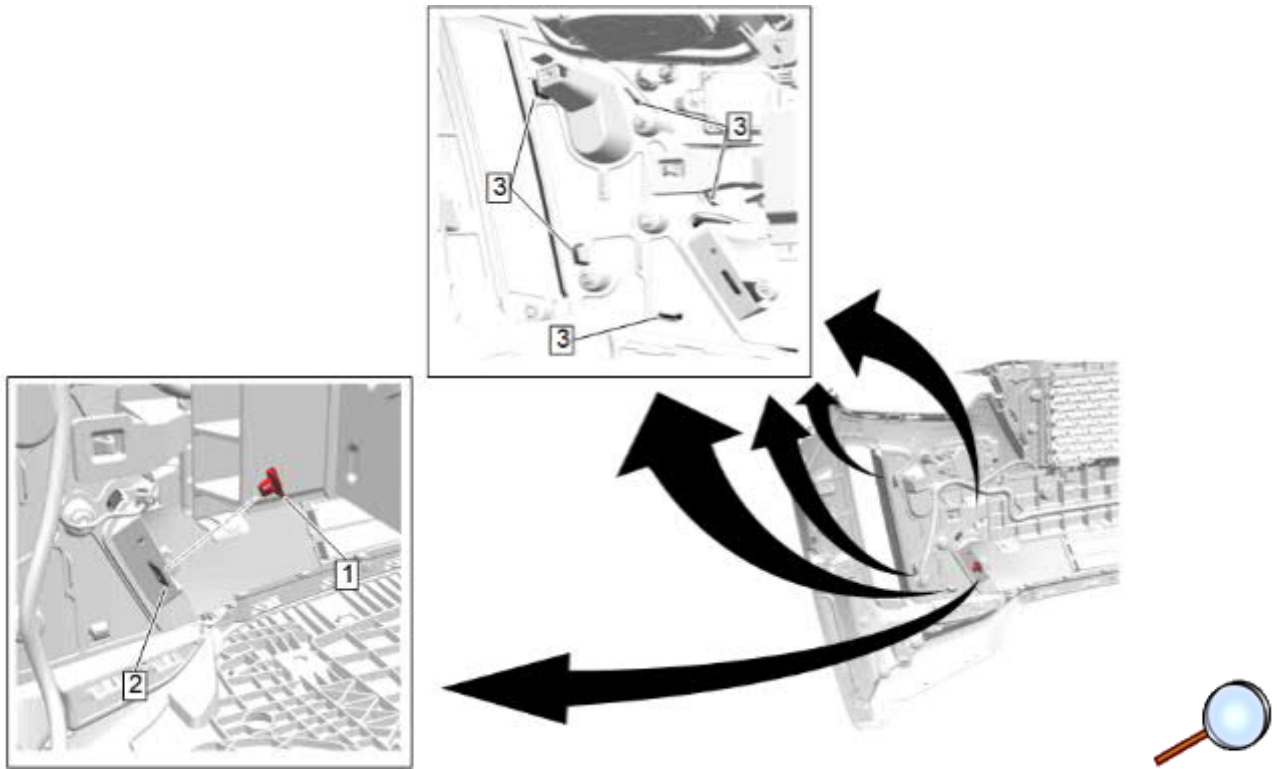
1. Remove the front bumper fascia. Refer to [Front Bumper Fascia Replacement](#) in Vehicle Service Manual.



2. Disconnect electrical connector (1) from cornering lamp connector (2) and release wiring harness retainer.

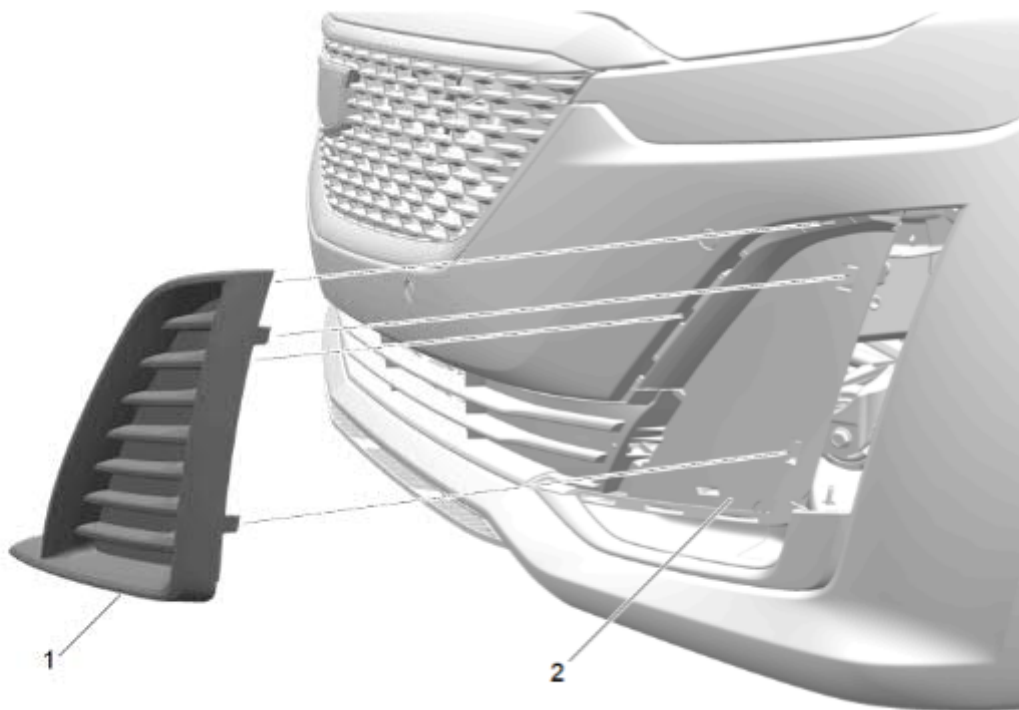


3. Remove the cornering lamp bolts (1) and cornering lamp (2) from front bumper fascia (3).

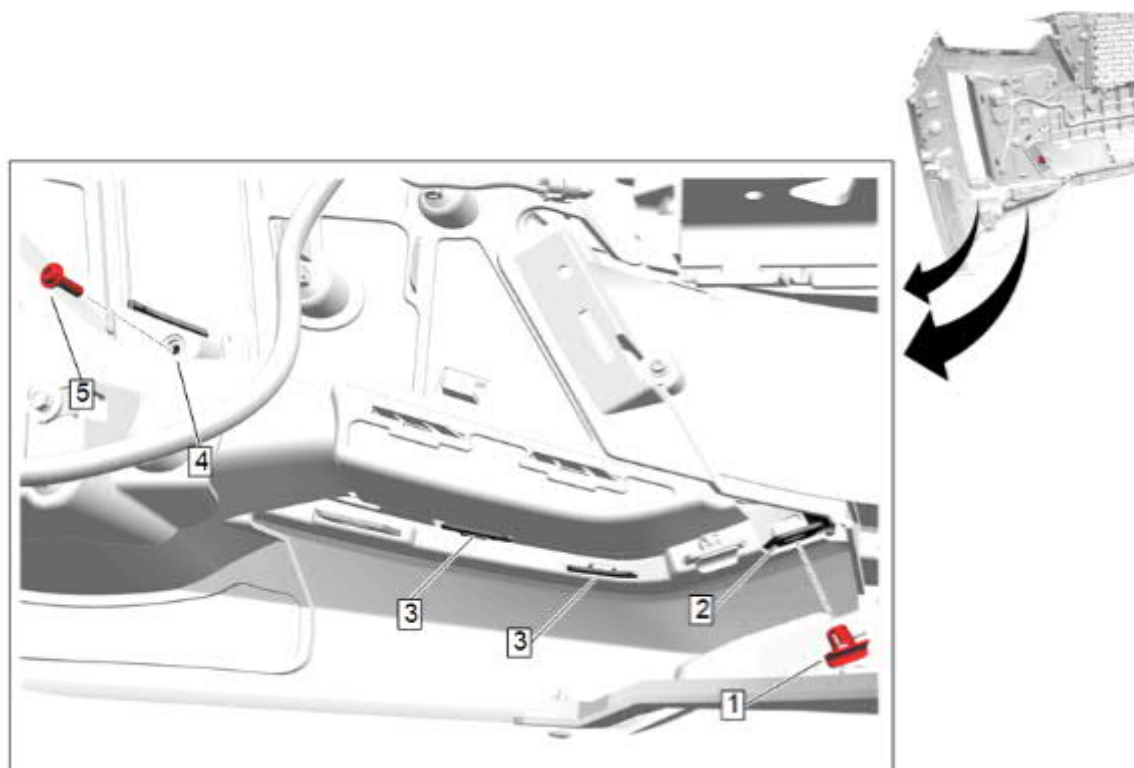


4. Remove the retaining clip (1) from back side of front fog lamp cover tab (2).

5. Release the locking tabs (3) from back side front fog lamp bezel.



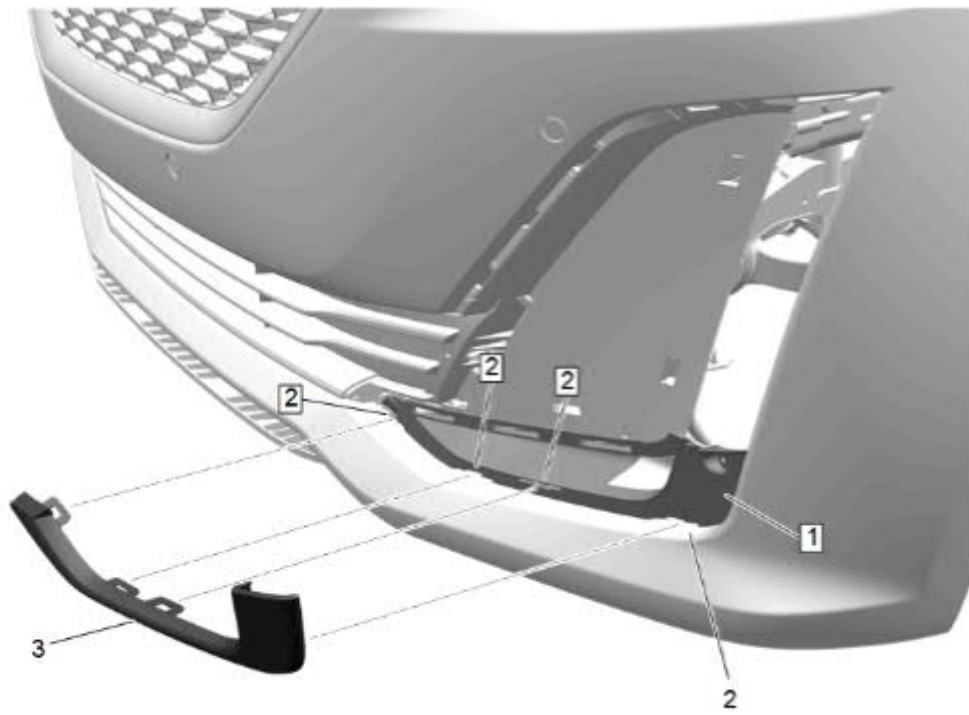
6. Remove front fog lamp cover (1) from front bumper fascia (2).



7. Remove the screw (5) from fog lamp bezel (4).

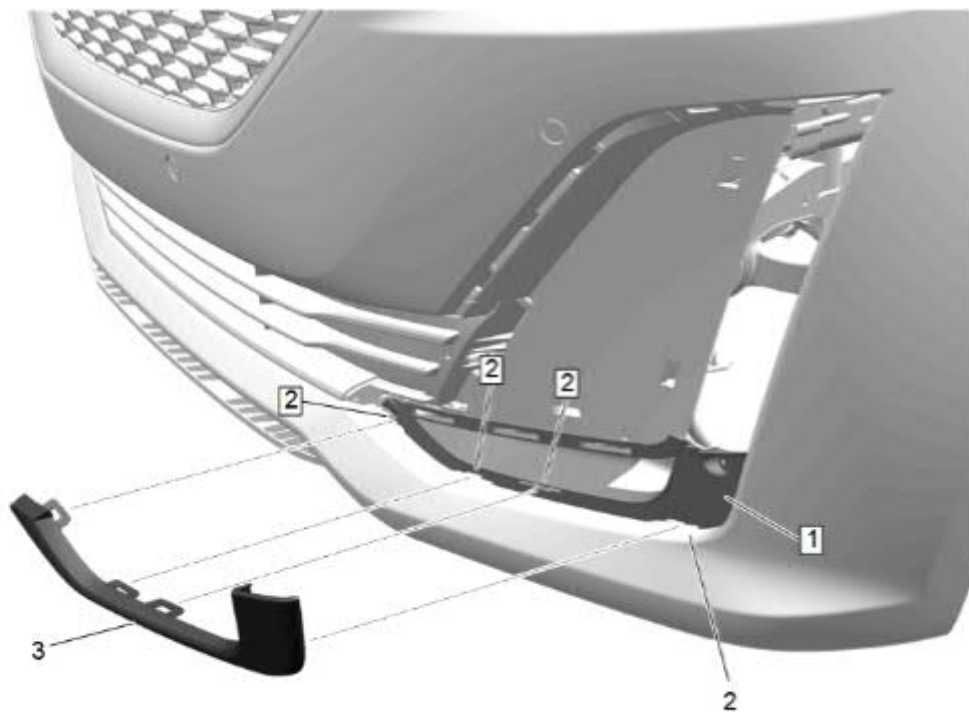
8. Remove the retaining clip (1) from fog lamp bezel retaining tab (2).

9. Disengage the retaining tabs (3) on backside of fog lamp bezel.

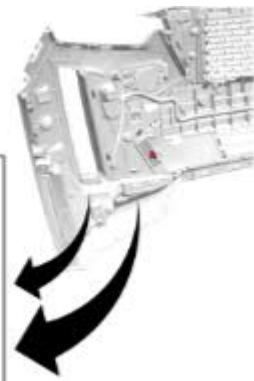
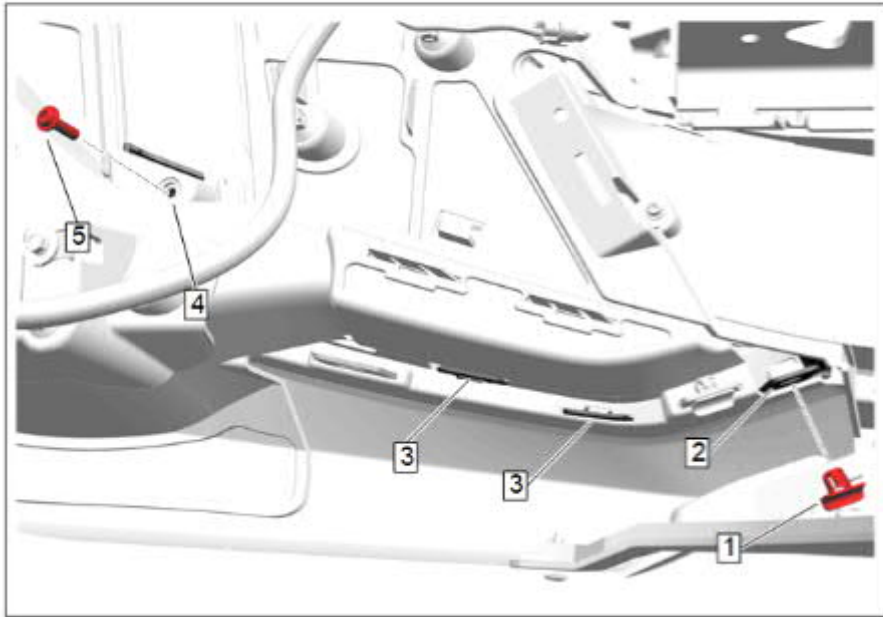


10. Using a suitable plastic flat-bladed tool, release the retaining tabs from fog lamp bezel at locations shown (2) on reinforcement duct (1).
11. Remove fog lamp bezel (3) from reinforcement duct (1).
12. Repeat steps 2 through 11 for opposite side.

Installation Procedure



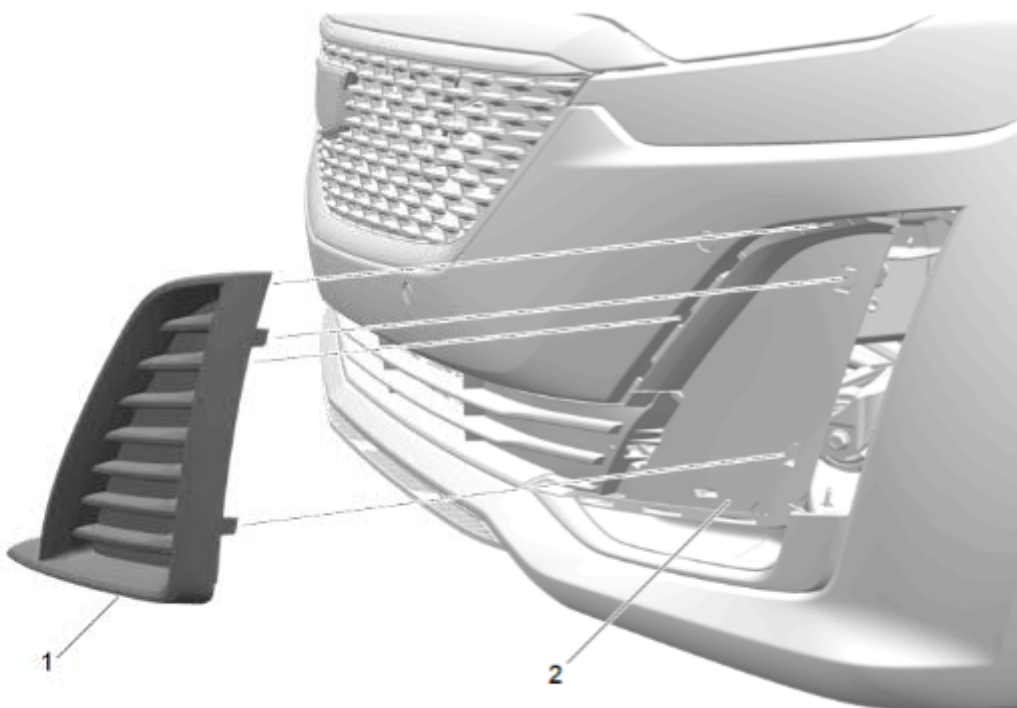
1. Install fog lamp bezel (3) to reinforcement duct (1) making sure to align and engage retaining tabs at locations shown (2).



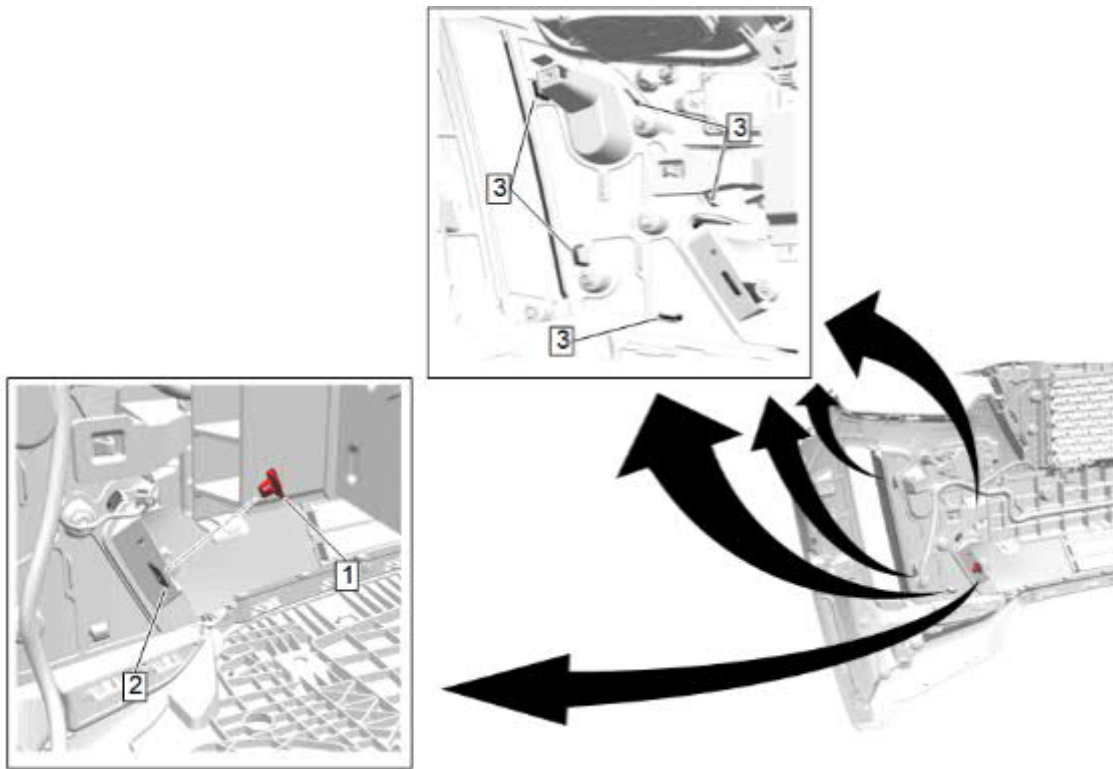
2. Make sure the retaining tabs (3) are engaged on backside of fog lamp bezel.
3. Install the retaining clip (1) to fog lamp bezel retaining tab (2).

Caution: Use the correct fastener in the correct location. Replacement fasteners must be the correct part number for that application. Fasteners requiring replacement or fasteners requiring the use of thread locking compound or sealant are identified in the service procedure. Do not use paints, lubricants, or corrosion inhibitors on fasteners or fastener joint surfaces unless specified. These coatings affect fastener torque and joint clamping force and may damage the fastener. Use the correct tightening sequence and specifications when installing fasteners in order to avoid damage to parts and systems.

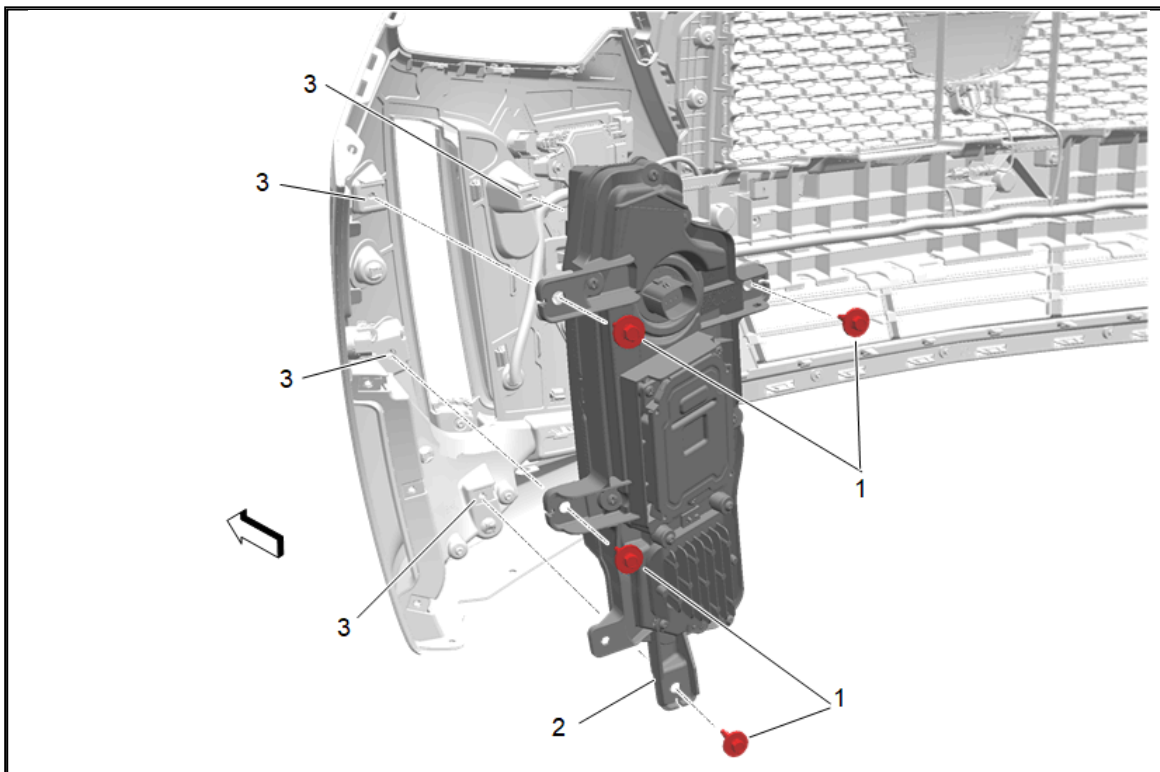
4. Install the screw (5) to fog lamp bezel (4). Tighten screw to 2.5 N.m (22 lb in).



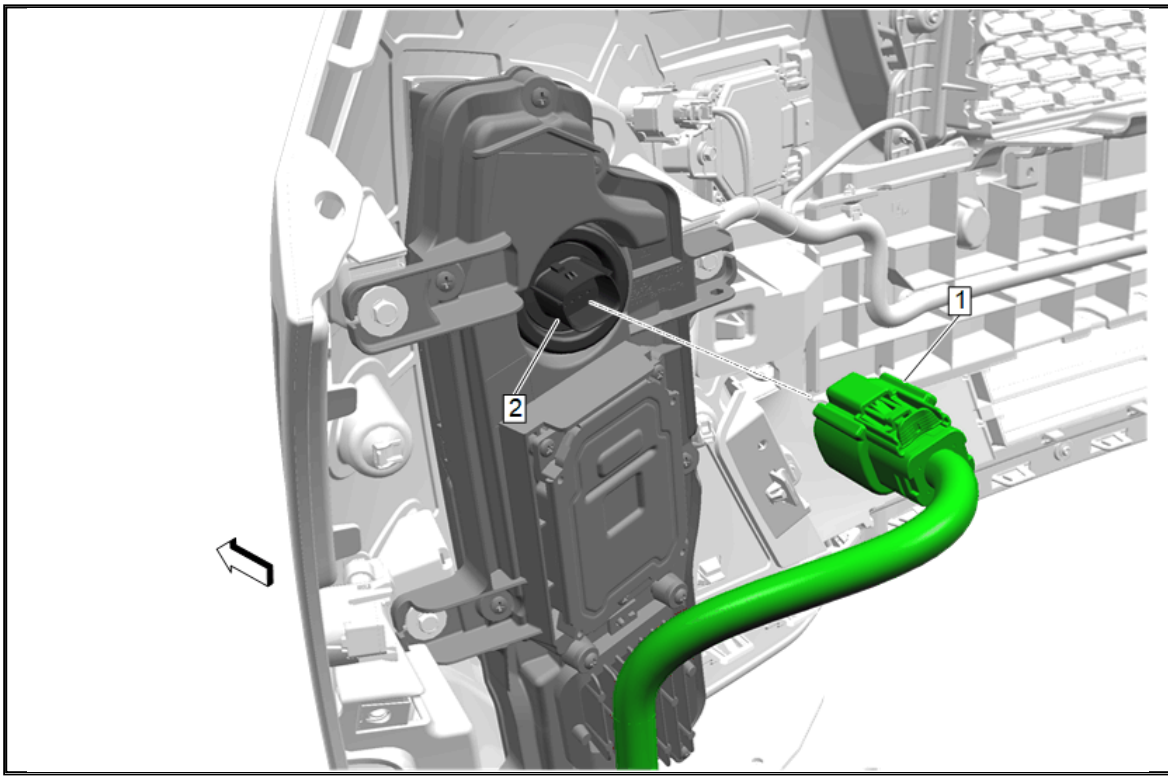
5. Install front fog lamp cover (1) to the front bumper fascia (2) making sure to line up tabs with holes.



6. Make sure the locking tabs (3) on the back side front fog lamp cover are engaged.
7. Install the retaining clip (1) to the back side of front fog lamp cover tab (2).



8. Install the front cornering lamp (2) to the front bumper fascia (3) with the bolts (1). Tighten bolts to 2.5 N.m (22 lb in).



9. Connect electrical connector (1) to cornering lamp connector (2), and secure wiring harness retainer.
10. Repeat steps 1 through 9 for opposite side.
11. Re-install the front bumper fascia. Refer to [Front Bumper Fascia Replacement](#) in Vehicle Service Manual.