

Body Decal Kit Installation

Installation Instructions Part Number

85516305

To enable a successful installation of decals please refer to 52524.01V Accessory Decal Installation Tips and Tricks at

<https://techtube.gallery.video/detail/video/5991123051001/52524.01v-accessory-decal-installation-tips-and-tricks?autoStart=true&q=decals>

Note: Video is referenced from the GM Tech Tube in Center of Learning.

Body Decal Kit Installation

Qty	DESCRIPTION	QUANTITY
1	Decal - Bedside (LH)	1
1	Decal - Bedside (LH)	1
2	Decal - Bedside Bowtie	
-	Plastic Squeegee	1
-	Installation Instructions	1

Tools Required

- 70% Isopropyl Alcohol
- Lint-free Towels
- Sewing Needle (Never use a razor blade)
- Plastic Squeegee
- Trigger-type Spray Bottles
- Unscented Liquid Dish Soap

Important Considerations

Attempting to install a decal dry (without the use of a surfactant) can result in bubbles that will be difficult to remove.

Procedure

Preparation - Before Installation

1. After opening the kit, check to see if any parts are missing and that the product is not damaged.
2. This product should be installed with proper installation tools.
3. Install this product while observing all warnings and precautions stated in this instruction booklet.
4. **IMPORTANT: Begin with a thoroughly washed vehicle.**
5. Ambient temperature of decals and vehicle must be 70°F / 21°C to 90°F / 32°C at the time of installation and for a minimum of 30 minutes and up to two hours after.
6. Thoroughly clean vehicle surface with 70% isopropyl alcohol and follow with a dry wipe.
7. To ensure bubble-free application, put three or four tiny drops of liquid detergent into a 24 oz. / 750 ml trigger-type spray bottle and fill with water. Replace the top and shake to mix the soap and water "surfactant." Set nozzle for a fine mist.

Note: See "Accessory Decal Installation Tips and Tricks" video for demonstration.

Installation Notes

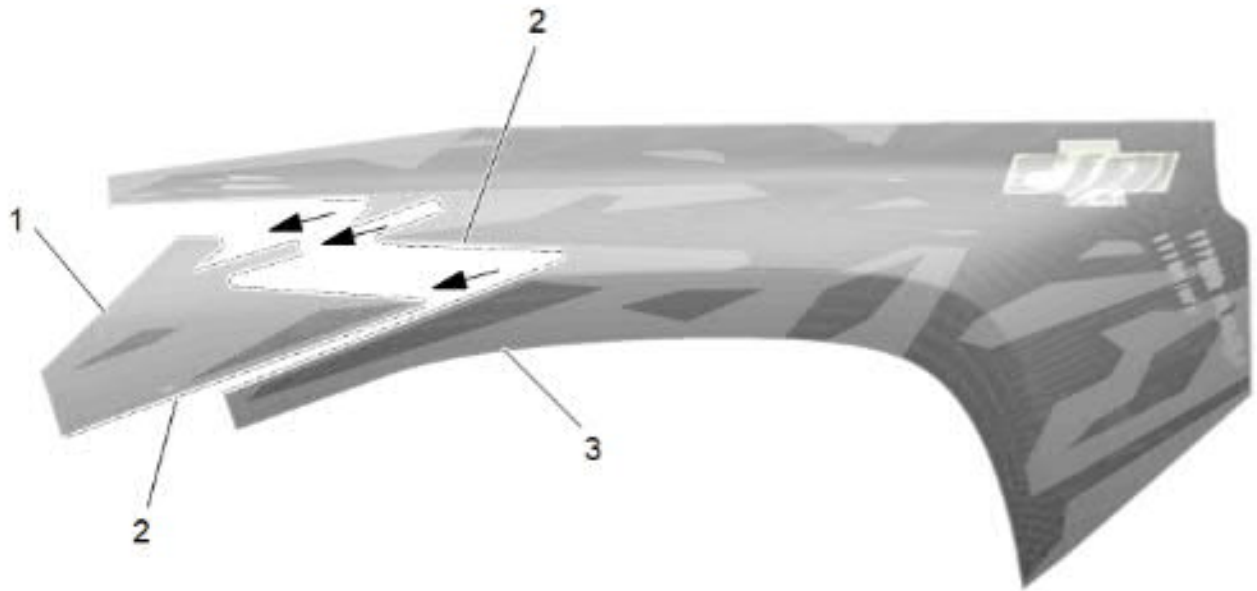
1. All of the decals include premask carrier extensions and notches that allow the installer to accurately align the decal to the body panel.
2. The soap / water "surfactant" is intended to allow the installer the opportunity to position the stripe before any pre-adhesion can occur. If the decal sticks prematurely and does not easily "glide" across the surface of a body panel, increase the amount of surfactant that has been applied to the body panel and/or place additional soap into the spray bottle and re-spray.
3. The adhesive is activated by pressure. Be sure to use firm, overlapping strokes, beginning at the center of the decal and working toward the edges of the decal.
4. When using the squeegee, be careful not to drag the squeegee onto the painted body panel.
5. After premask removal, never use an uncovered squeegee to re-press a decal into place. Wrap the squeegee with a lint-free towel and re-spray the decal with surfactant before applying additional pressure.
6. The bodyside decals have a paper-premask carrier. Should this carrier be difficult to remove, spray the carrier paper with the surfactant and wait 10 seconds for the carrier to soften and release from the decal.
7. If bubbles are present after premask carrier removal, wrap a towel around the squeegee and carefully attempt to push bubble to the side of the decal. If the bubble cannot be moved, use a sewing needle to pierce the bubble and press the remaining solution from beneath the decal.

Note: The pin must be inserted in the side of the bubble, not the top to prevent the pin from breaking the paint and cause corrosion.

Note: See "Accessory Decal Installation Tips and Tricks" video for demonstration.

Note: After a decal installation has been completed, do not high pressure wash the vehicle for 72 hours.

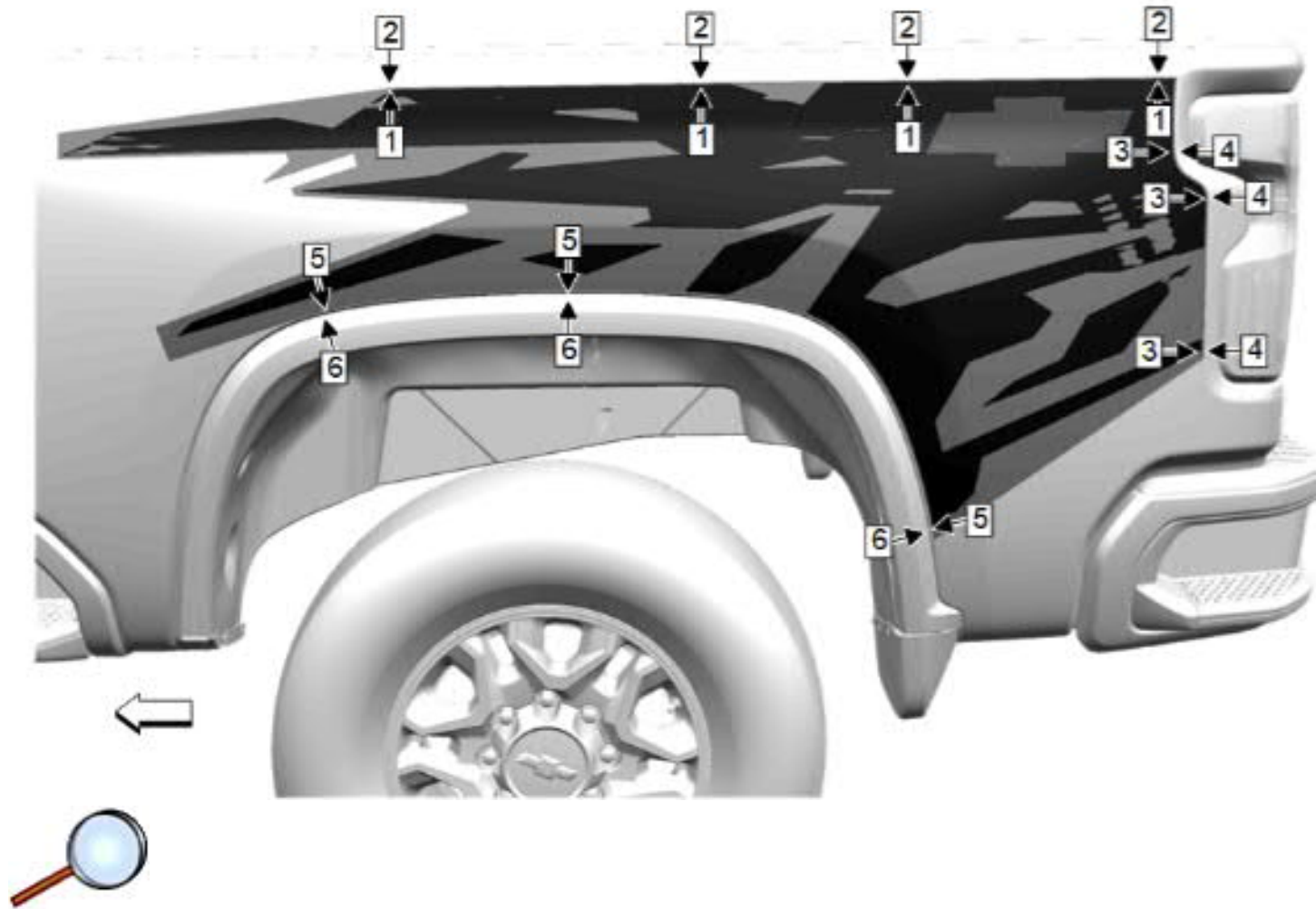
Preliminary Steps



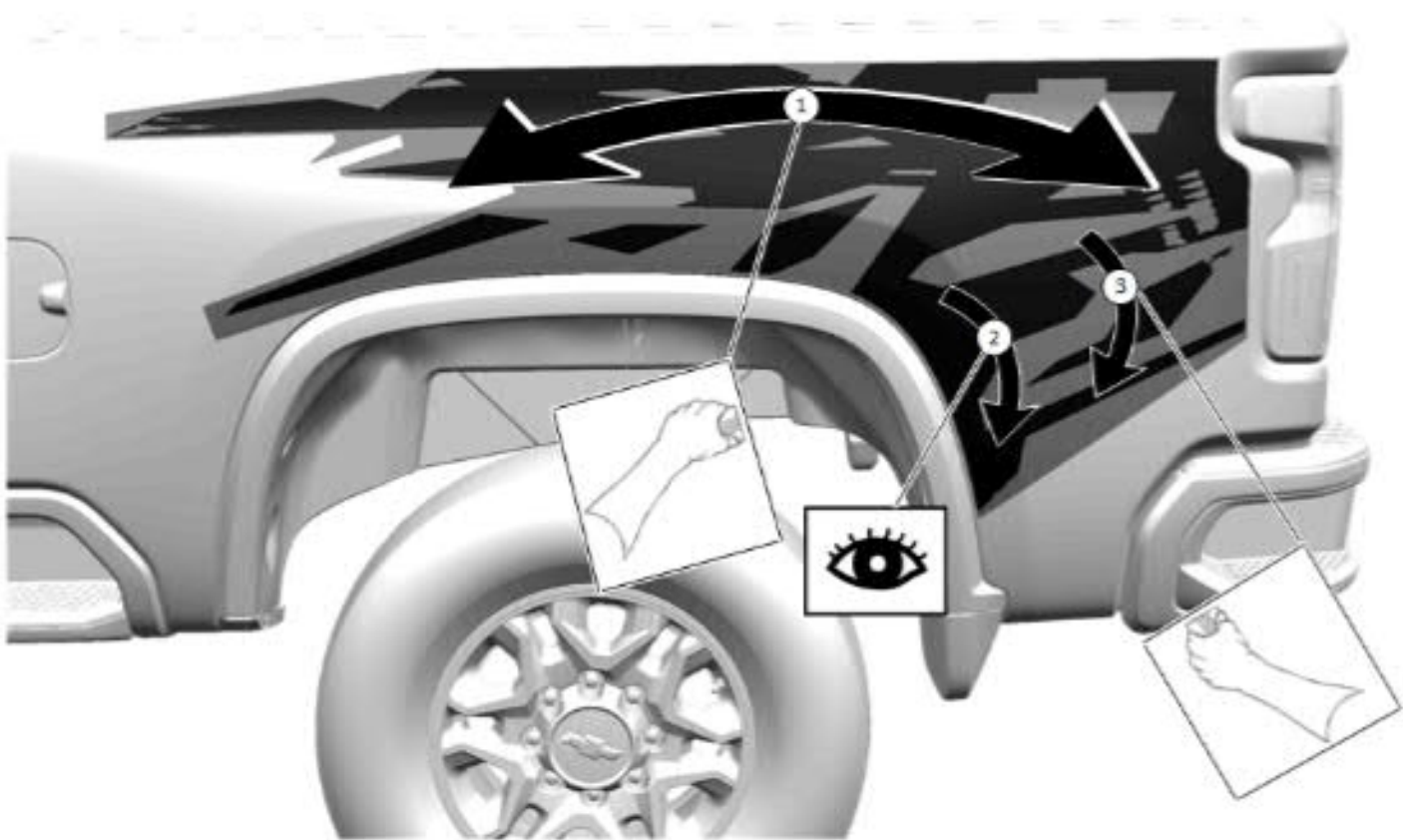
1. Separate the small portion of bedside decal (1) from the large bedside decal (3) at the perforations (2).
2. Set small bedside decal (1) aside.

Large Bedside Decal

1. Prepare surface as described in preparation section.
2. Use the surfactant to saturate the area where the decal is to be applied.
3. Lay the decal upside down on a flat surface and slowly remove the liner from the decal without bending the decal. The adhesive side of the decal will now be exposed.
4. Saturate the adhesive side of the decal.
5. Carefully lift the decal from the surface and lay the adhesive side onto the panel.



6. Align the top carrier extension (1) to the upper feature line (2) while aligning the rear (3) and lower areas (5) to the feature lines of the box side (6) and tail lamp opening (4). Lightly press the premask sections of the decal into place.



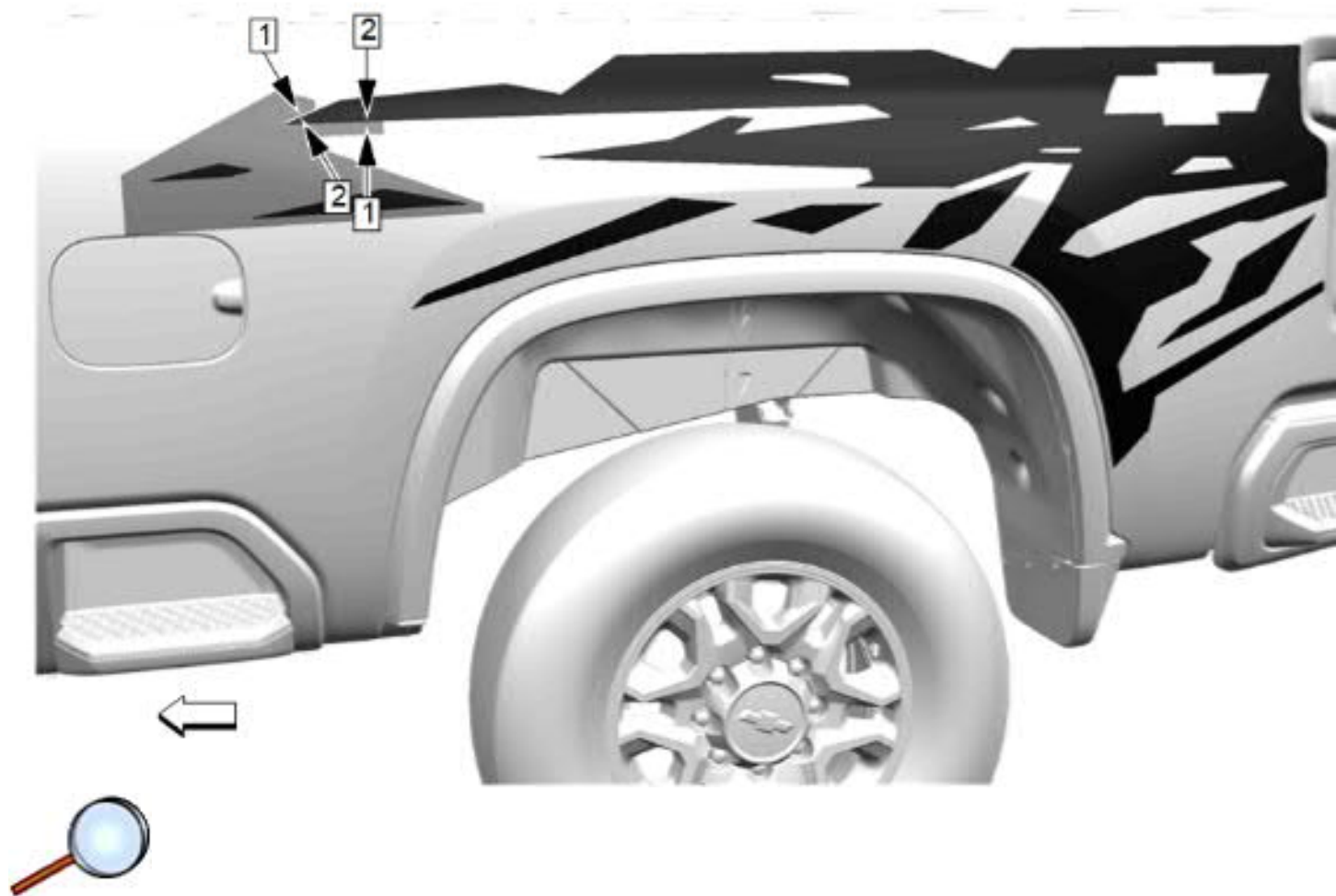
7. Use the plastic squeegee (1) to press the decal into place. Beginning at the center of the decal and working towards the sides using firm overlapping strokes. If necessary, slightly lift the decal when approaching the ends (to minimize wrinkling).
8. Using palm of hand on decal (2), gently press and stretch decal to form-fit to the panel. Continue to squeegee (3) lower area of decal working downwards using firm overlapping strokes.
9. Spray surfactant onto the premask to ease in removal.



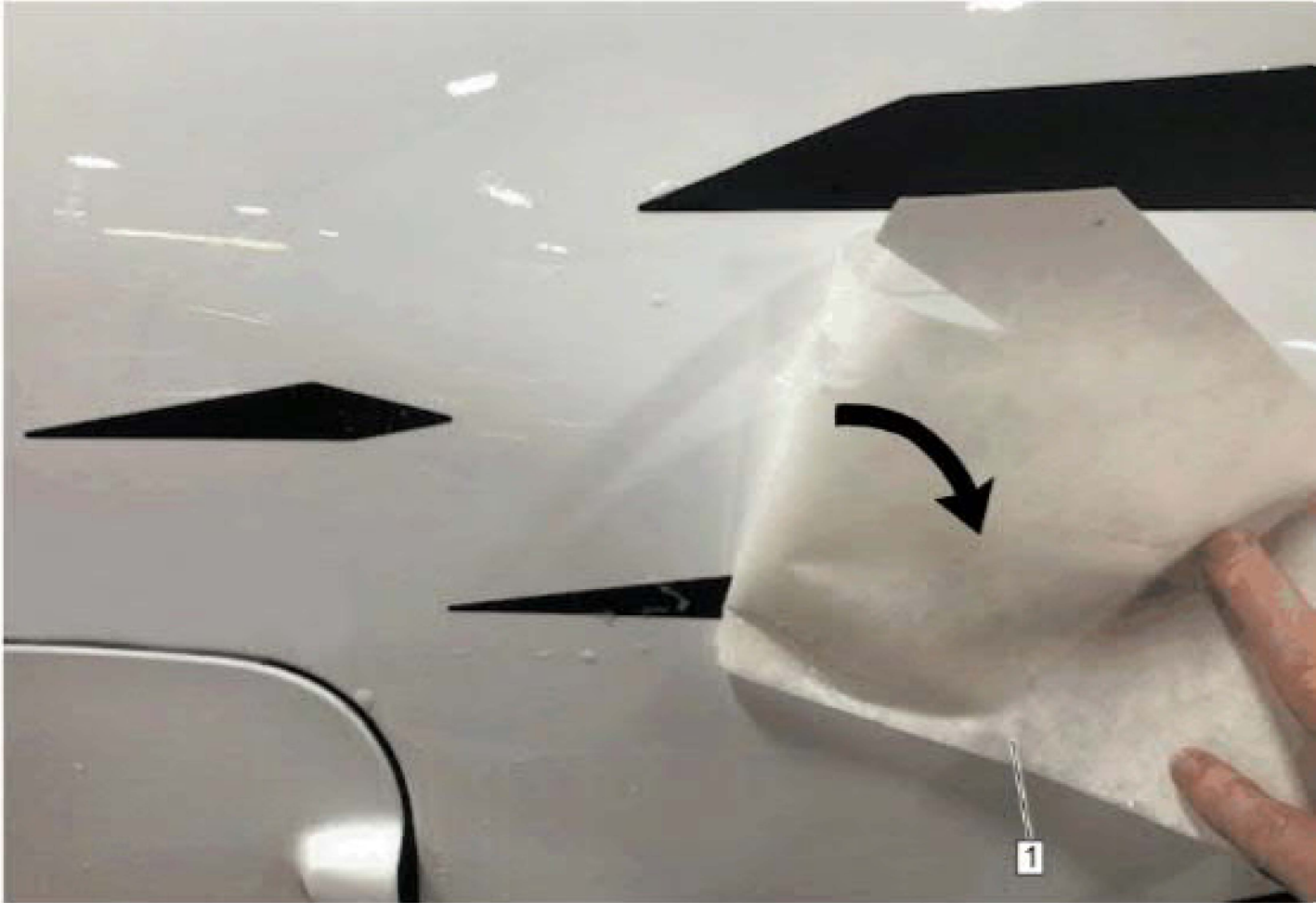
10. Slowly remove the top premask carrier (1) by pulling it off at 180 degrees, being careful not to tear the decal.
11. Keep spraying surfactant on to the premask (1) while removing the premask carrier (2).
12. Wrap the squeegee with a lint-free towel, re-spray decal with surfactant and re-press decal into place while checking alignment.
13. Clean off the residual surfactant with a lint-free cloth and inspect the decal.

Small Bedside Decal

1. Prepare surface as described in preparation section.
2. Use the surfactant to saturate the area where the decal is to be applied.
3. Lay the decal upside down on a flat surface and slowly remove the liner from the decal without bending the decal. The adhesive side of the decal will now be exposed.
4. Saturate the adhesive side of the decal.
5. Carefully lift the decal from the surface and lay the adhesive side onto the side panel.



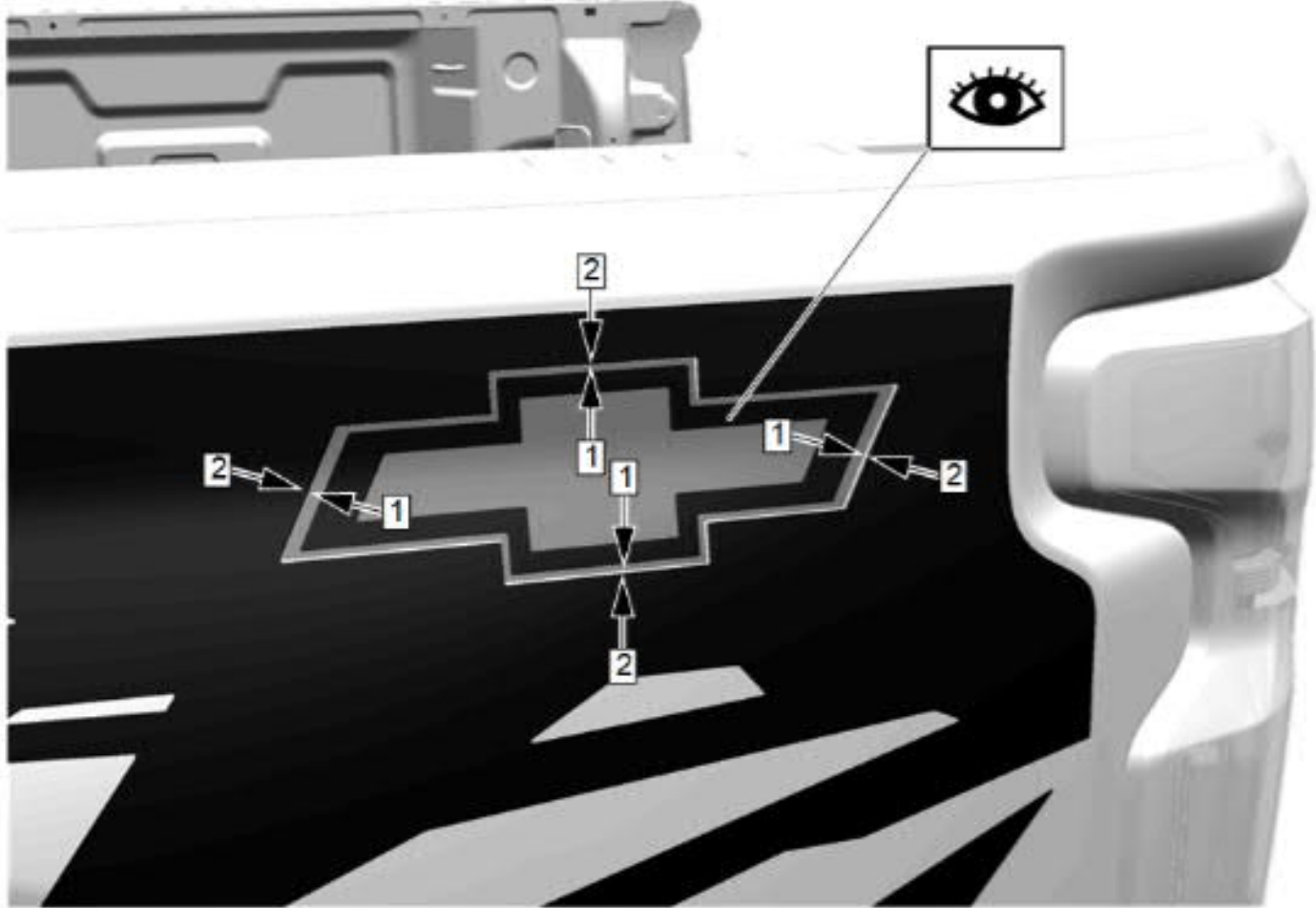
6. Align the edges of the premask carrier (1) to the edges (2) of the bedside decal.
7. Use the plastic squeegee to press the decal into place. Beginning at the center of the decal and working towards the sides using firm overlapping strokes. If necessary, slightly lift the decal when approaching the ends (to minimize wrinkling).
8. Spray surfactant onto the premask to ease in removal.



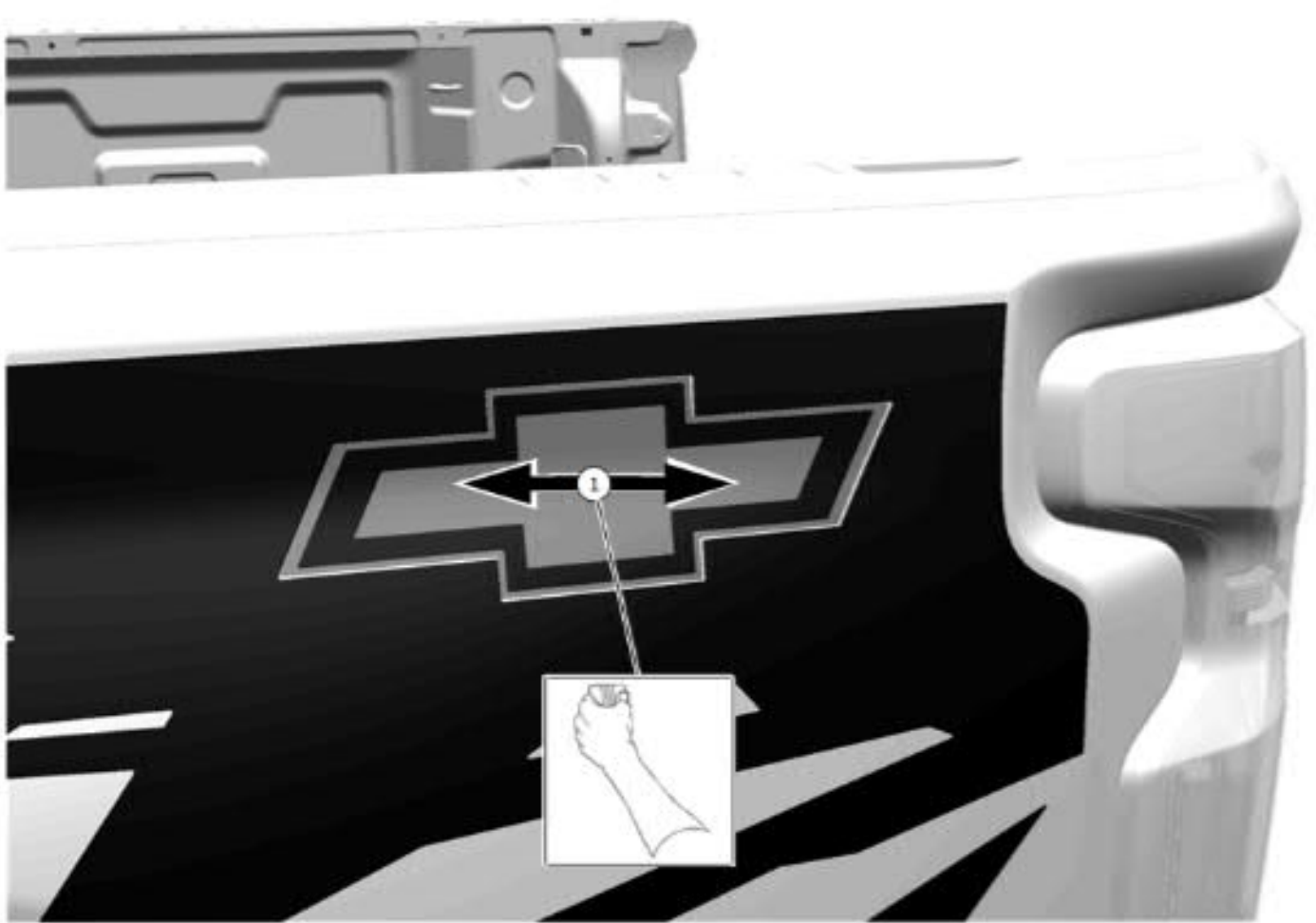
9. Slowly remove the top premask carrier (1) by pulling it off at 180 degrees, being careful not to tear the decal.
10. Wrap the squeegee with a lint-free towel, re-spray decal with surfactant and re-press decal into place while checking alignment.
11. Clean off the residual surfactant with a lint-free cloth and inspect the decal.

Bedside Bowtie Decal

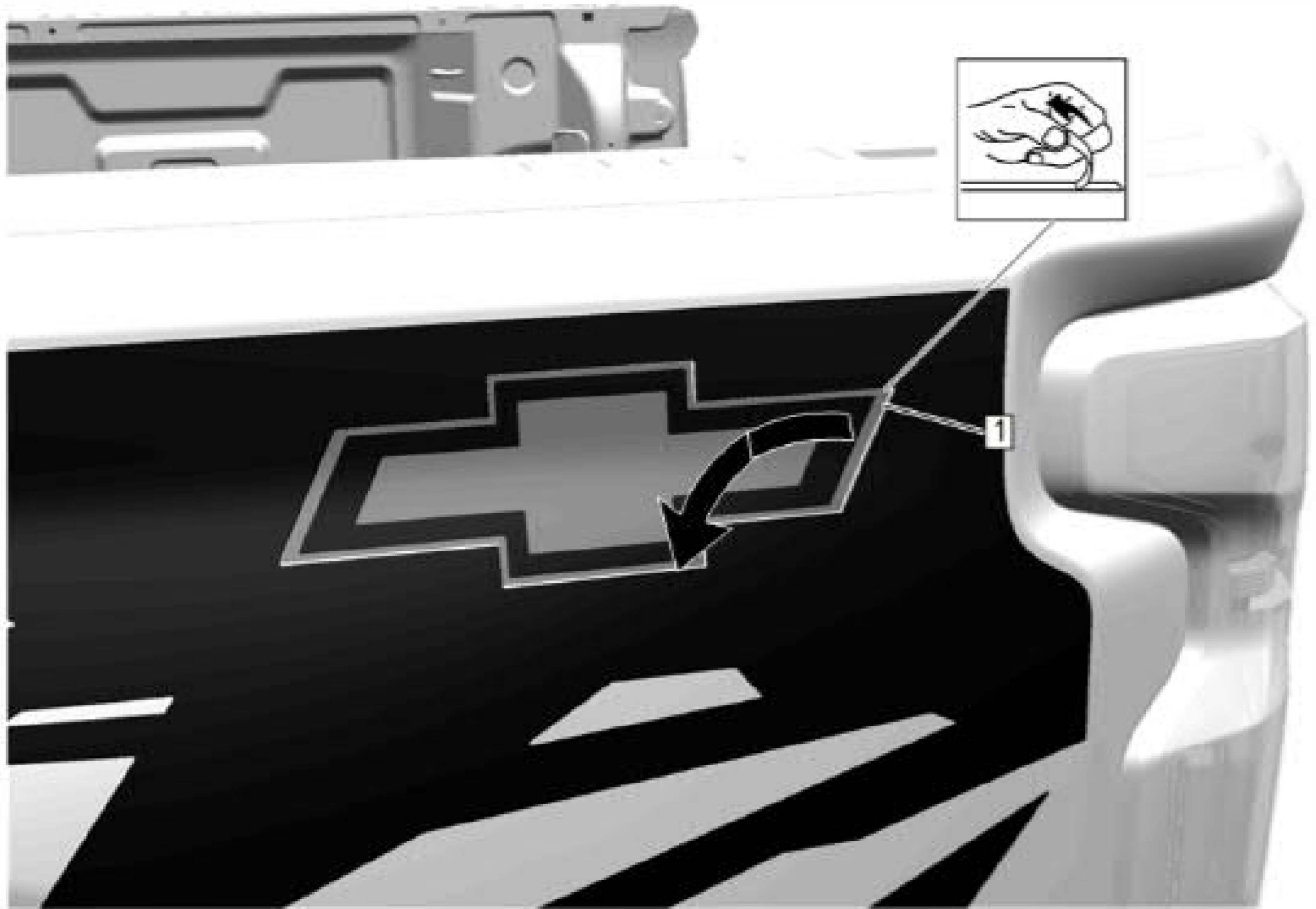
1. Prepare surface as described in preparation section.
2. Use the surfactant to saturate the area where the decal is to be applied.
3. Lay the decal upside down on a flat surface and slowly remove the liner from the decal without bending the decal. The adhesive side of the decal will now be exposed.
4. Saturate the adhesive side of the decal.
5. Carefully lift the decal from the surface and lay the adhesive side onto the side panel.



6. Align the edges of the premask carrier (1) to the edges (2) of the bedside decal.



7. Use the plastic squeegee (1) to press the decal into place. Beginning at the center of the decal and working towards the sides using firm overlapping strokes. If necessary, slightly lift the decal when approaching the ends (to minimize wrinkling).
8. Spray surfactant onto the premask to ease in removal.



9. Slowly remove the top premask carrier (1) by pulling it off at 180 degrees, being careful not to tear the decal.
10. Wrap the squeegee with a lint-free towel, re-spray decal with surfactant and re-press decal into place while checking alignment.
11. Clean off the residual surfactant with a lint-free cloth and inspect the decal.

Bedside Panel Decals Complete

