

Outside Rearview Mirror Attachment Package Installation

[Installation Instructions Part Number](#)

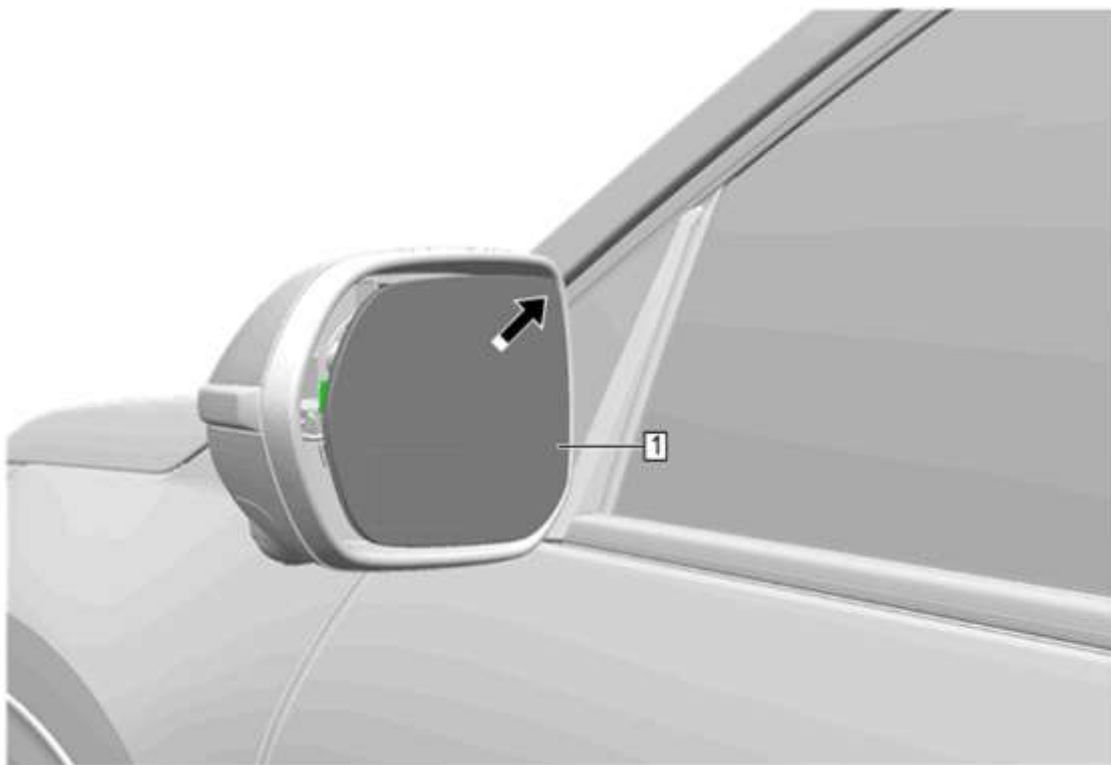
85517660

Kit Contents

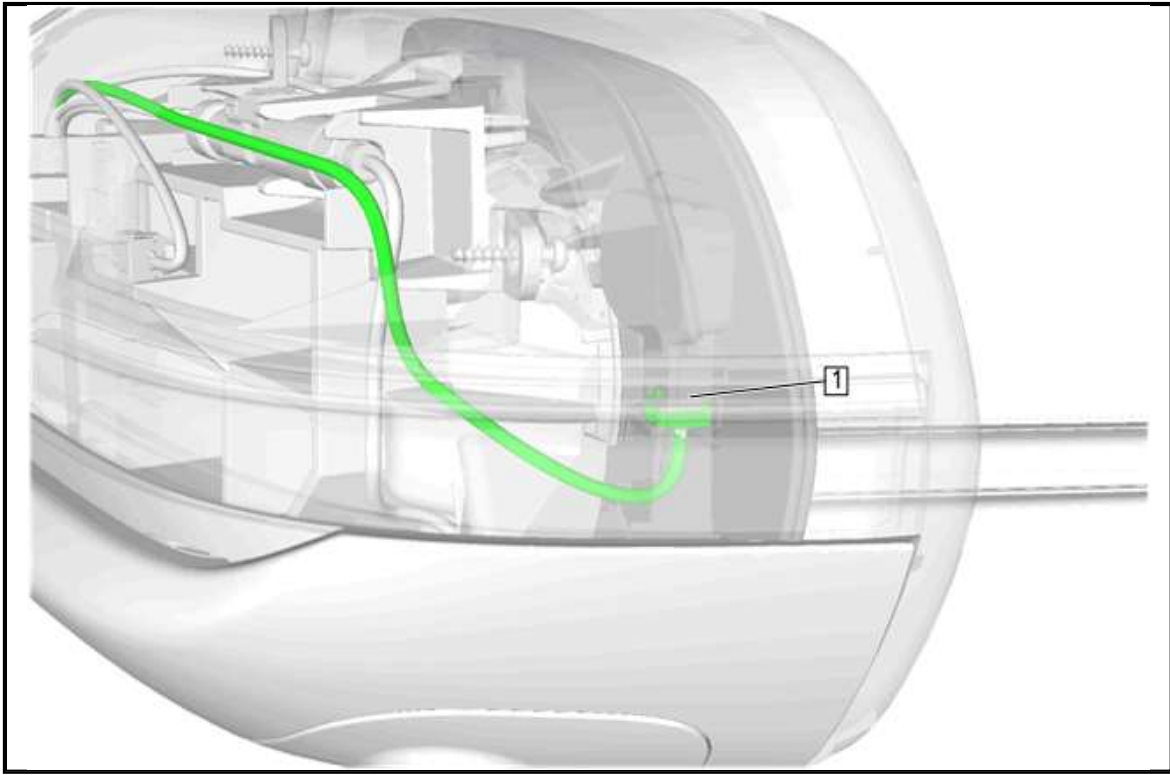
Qty	Description
1	LH Lamp Assembly
1	RH Lamp Assembly
4	Lower Mirror Covers (Chevrolet, GMC)
6	Lower Mirror Covers (Buick)
1	Installation Instruction Sheet

Warning: Refer to [Glass and Sheet Metal Handling Warning](#).

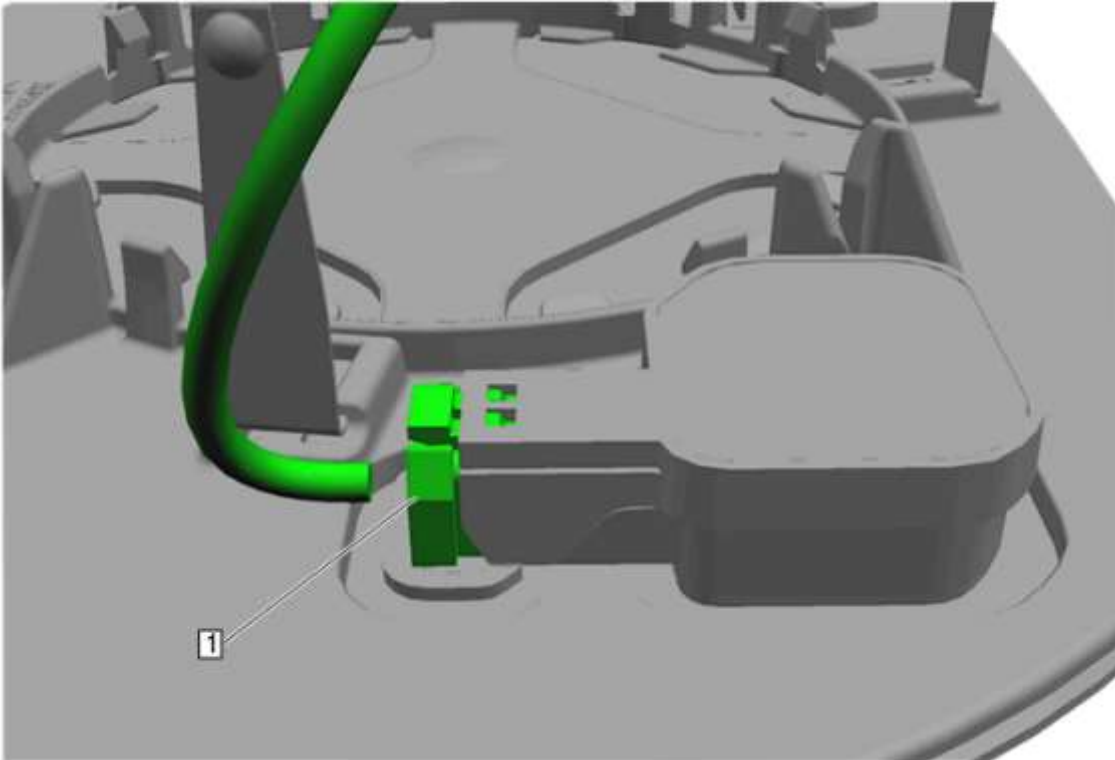
Removal Procedure



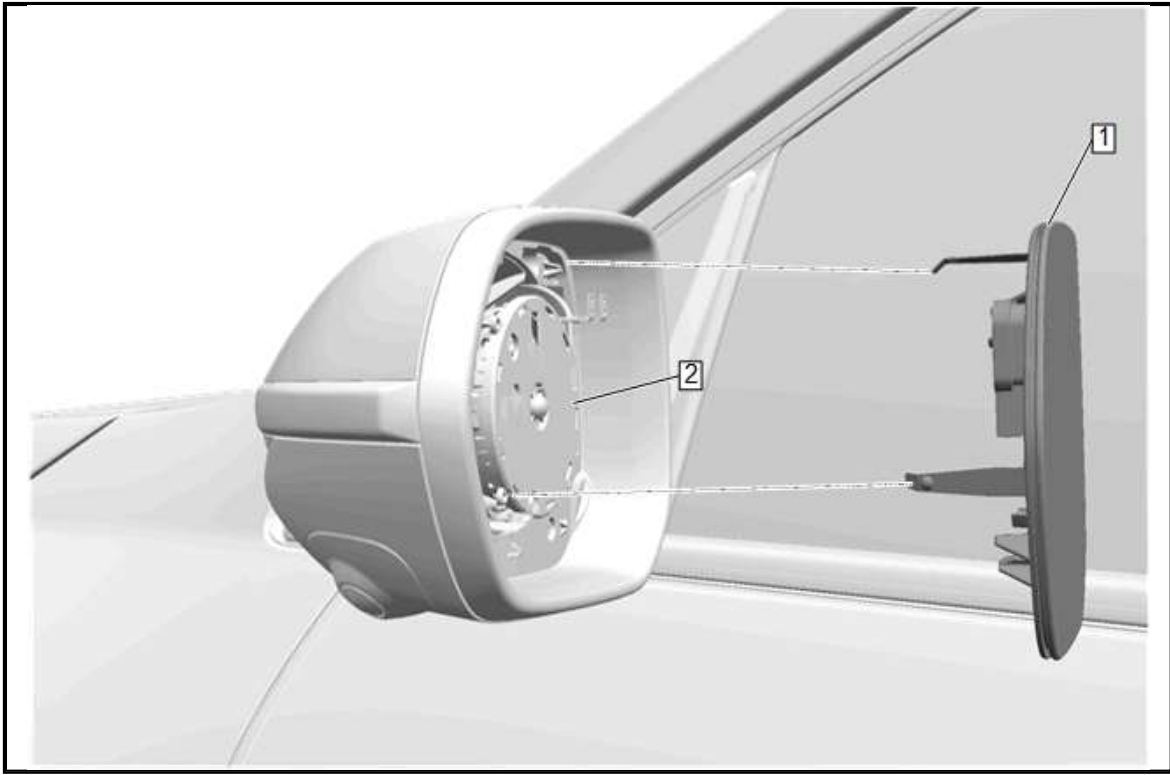
1. Apply masking tape over the outside rearview mirror glass (1).
2. Apply pressure inward at the top of the outside rearview mirror glass (1) until full travel is reached.
3. Put your four fingers under the edge (outer bottom) of the outside rearview mirror glass (1), and rest your thumb on the bezel. Then pop the glass off like using a lever.



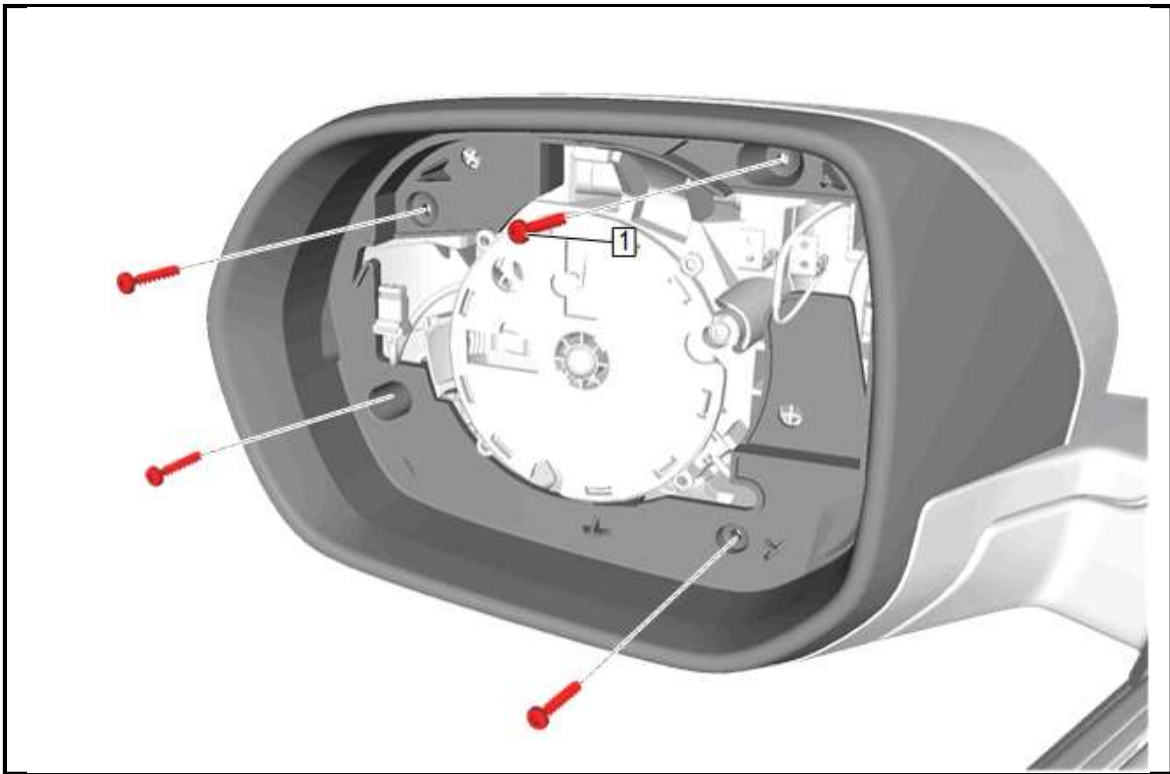
4. Retaining pressure on the outside rearview mirror glass , pull outward until the module (1) can be touched



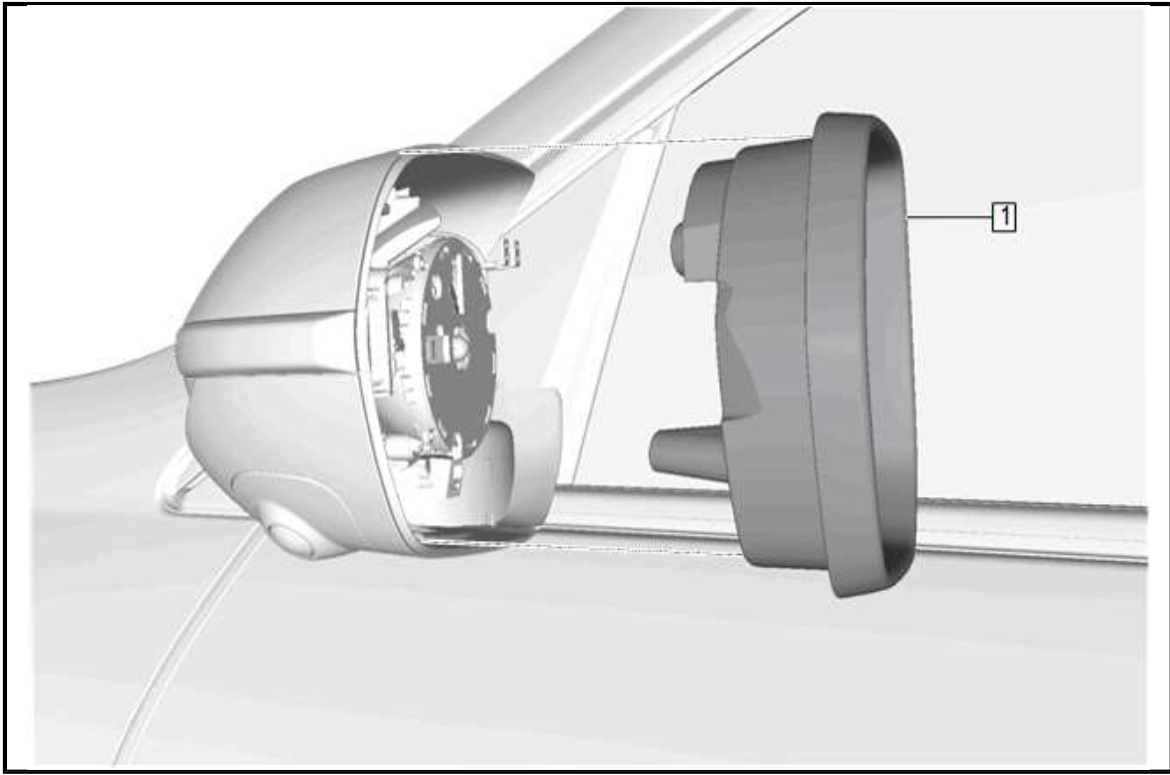
- Note:** Hold module with one hand , gently pull at an upward direction while depressing tab.
5. Depress tab (1) and pull at an upward direction.
6. Disconnect all electrical connectors.



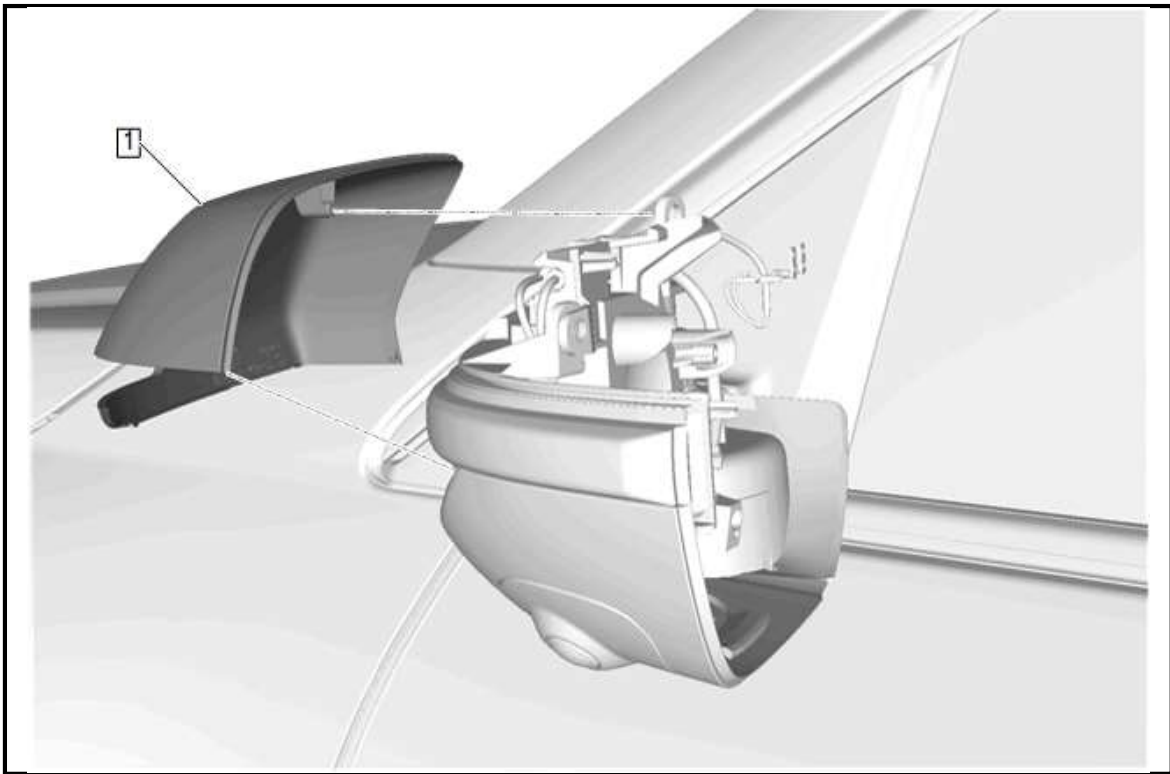
7. Outside Rearview Mirror Glass (1) » Remove



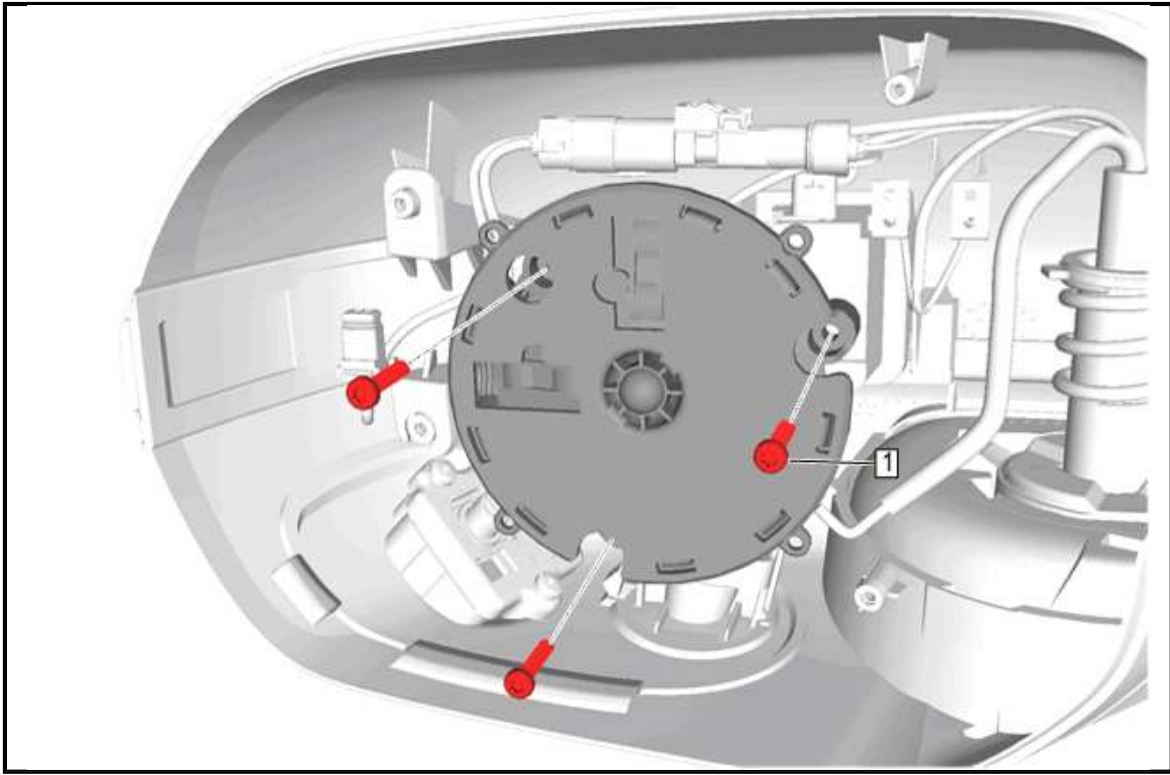
8. outside rearview mirror housing bezel Bolt (1) » Remove [4x]



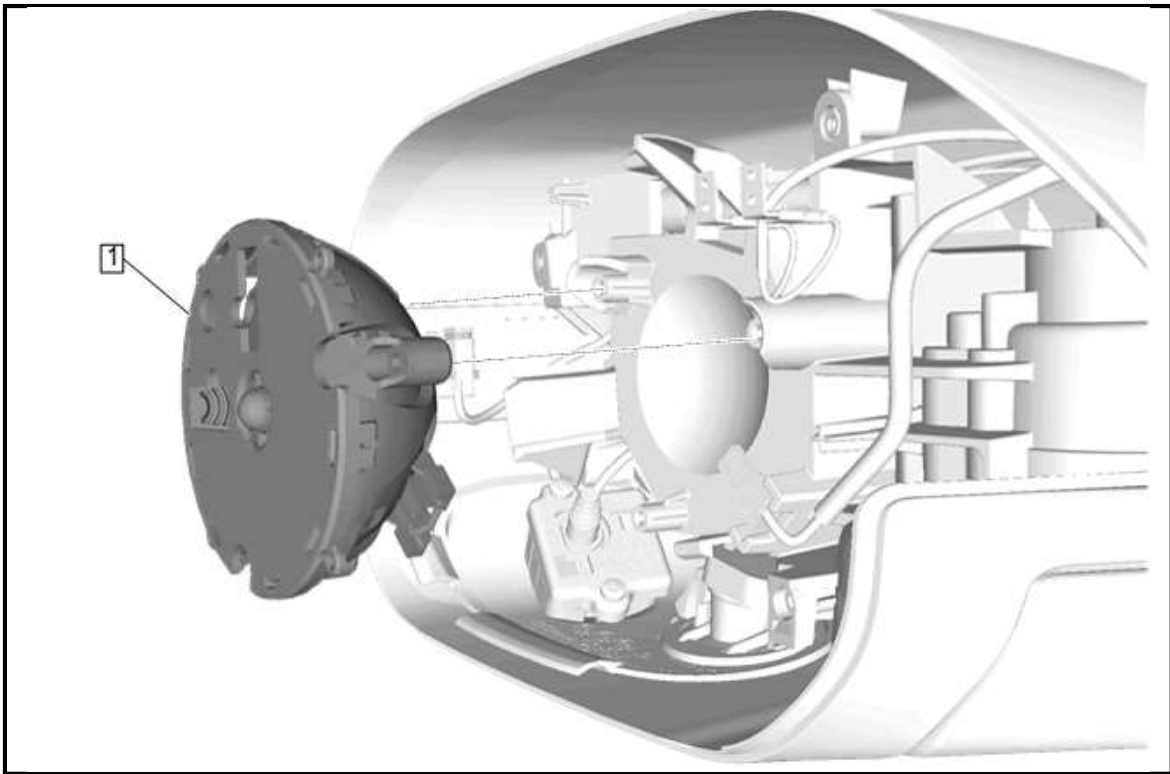
9. Outside Rearview Mirror Housing Bezel (1) » Remove



10. (If applicable) Outside Rearview Mirror Housing Upper Cover (1) » Remove

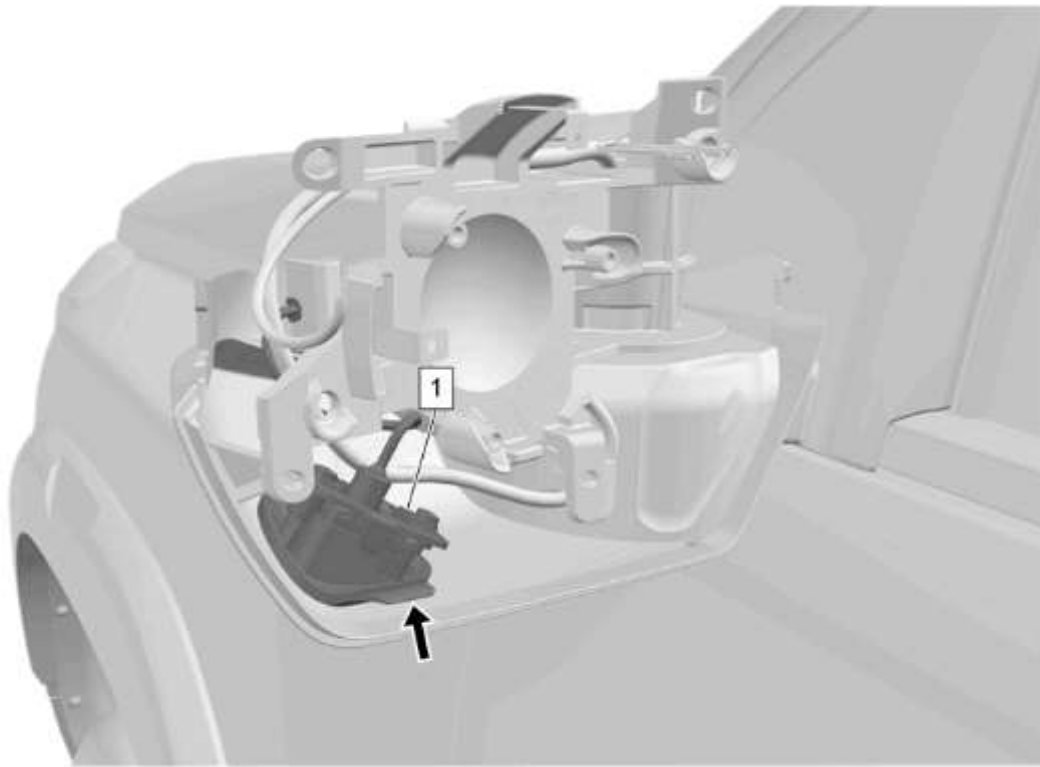


11. Outside Rearview Mirror Actuator Bolt (1) » Remove [3x]



12. Disconnect the electrical connector.

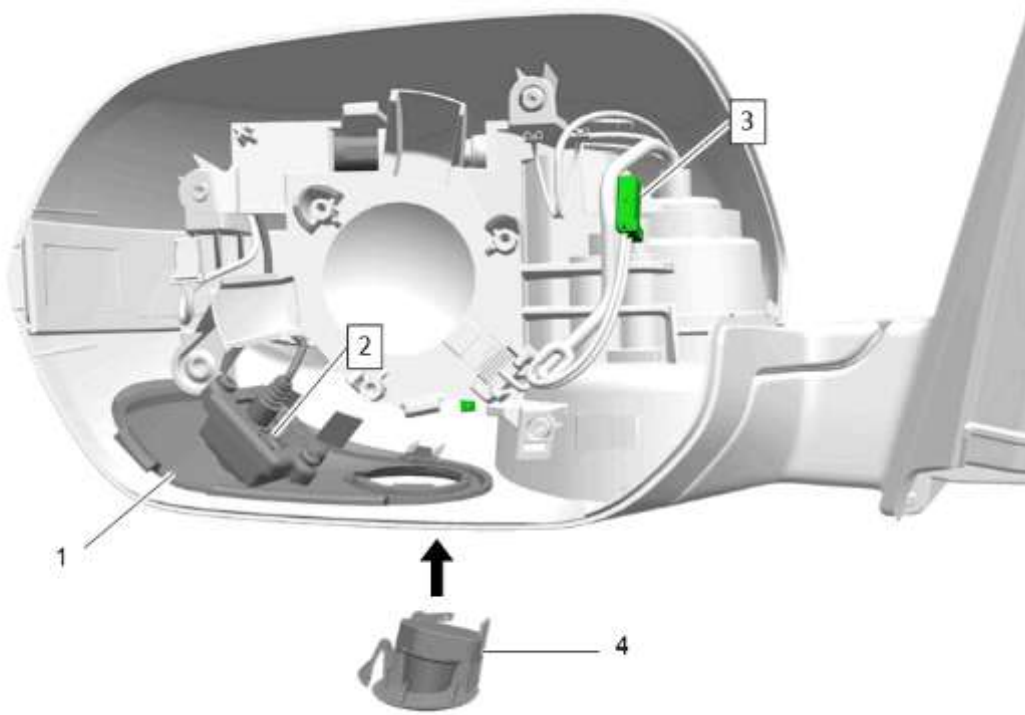
13. Outside Rearview Mirror Actuator (1) » Remove



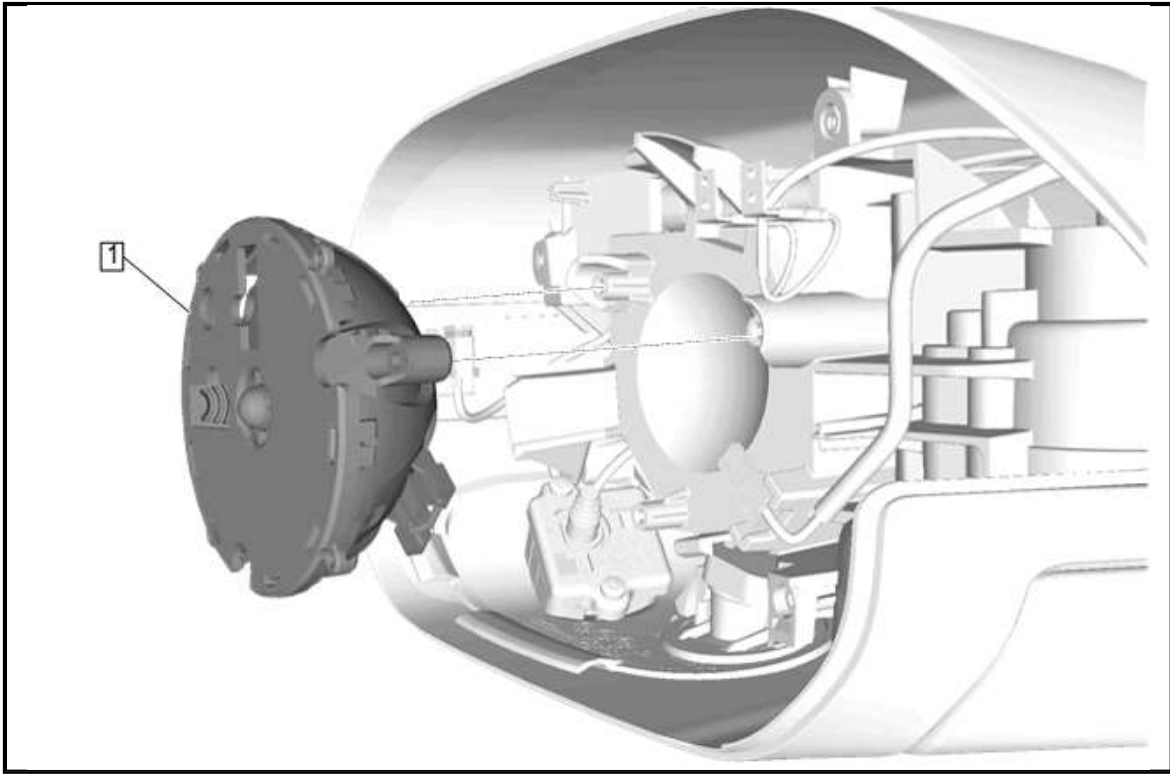
14. { If equipped } Using a suitable flat-bladed plastic trim tool, release the side view driver information camera assembly (1) from the outside rearview mirror housing and reposition.
15. Remove the lower mirror housing cover.

Installation Procedure

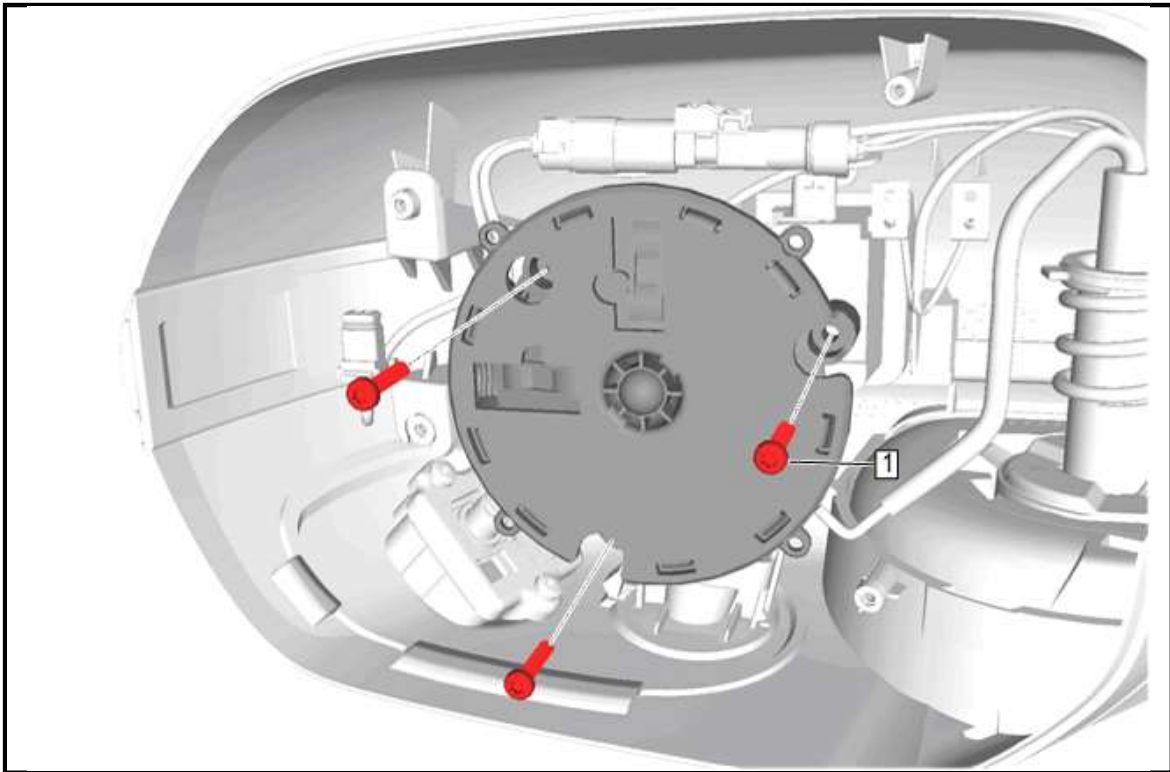
1. Select the appropriate lower mirror housing cover from the accessory kit which matches the vehicle configuration.



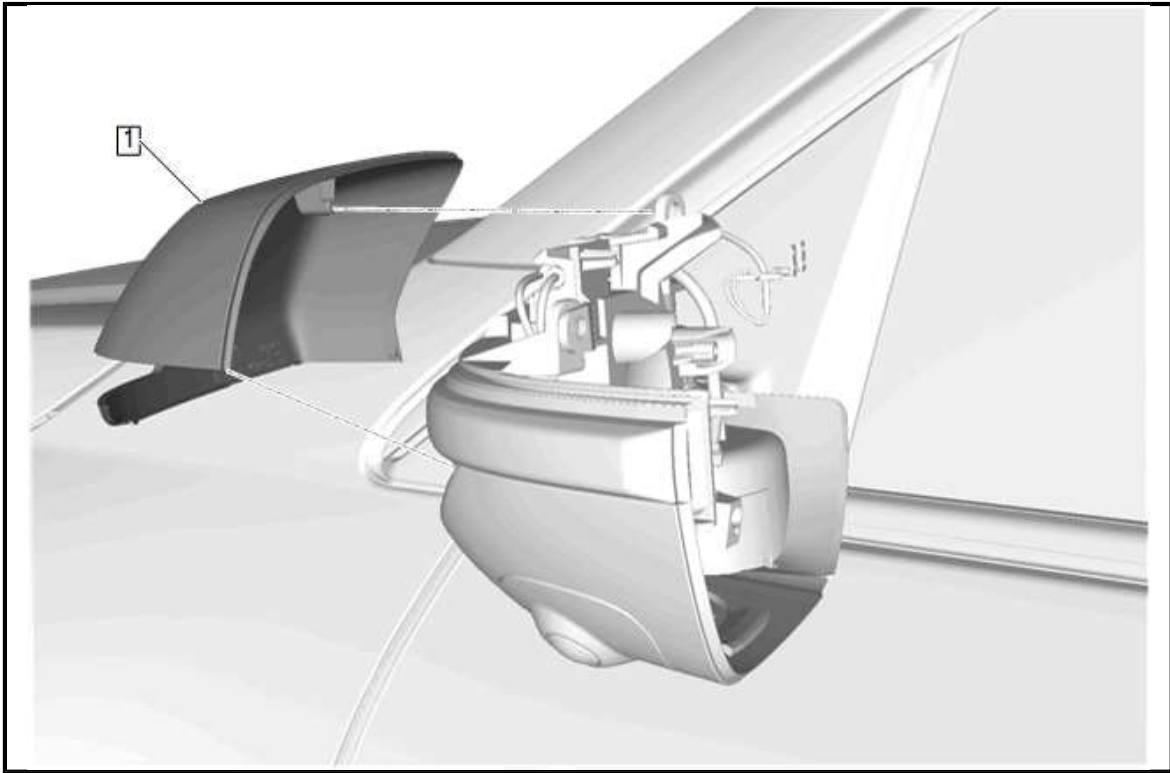
2. Install the accessory lower mirror housing cover (1) to the mirror housing.
3. { If equipped } Install the side view camera (2) to the accessory lower mirror housing.
4. Attach the accessory lamp electrical wiring harness connector (3).
5. Snap the accessory lamp assembly (4) into the accessory lower mirror housing cover, as shown.



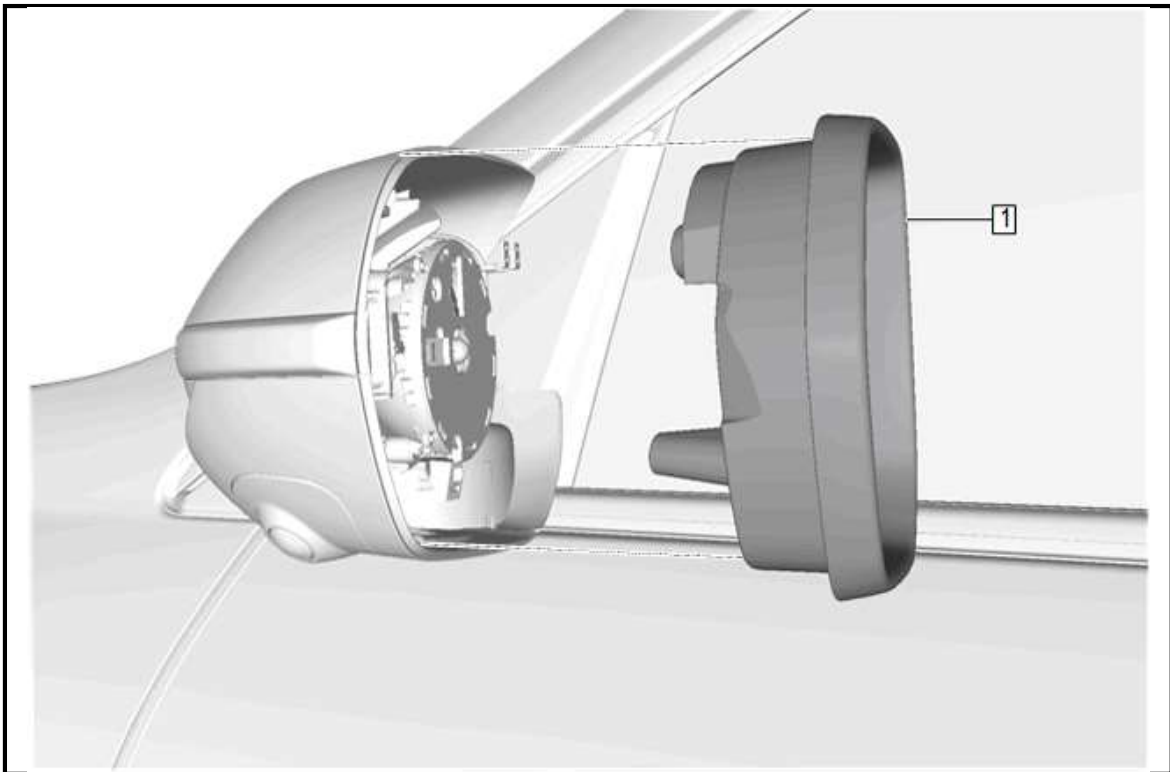
6. Connect the electrical connector.
7. Outside Rearview Mirror Actuator (1) » Install



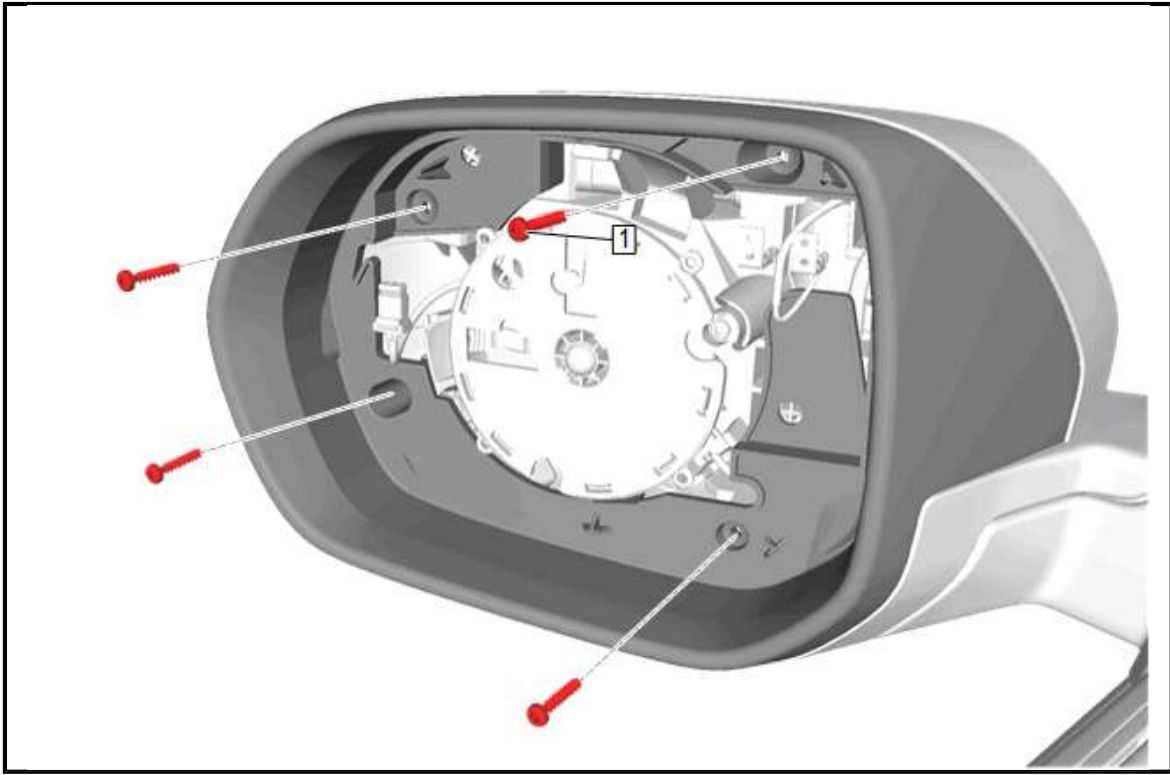
8. Outside Rearview Mirror Actuator Bolt (1) » Install and tighten [3x] — [Fastener Specifications](#)



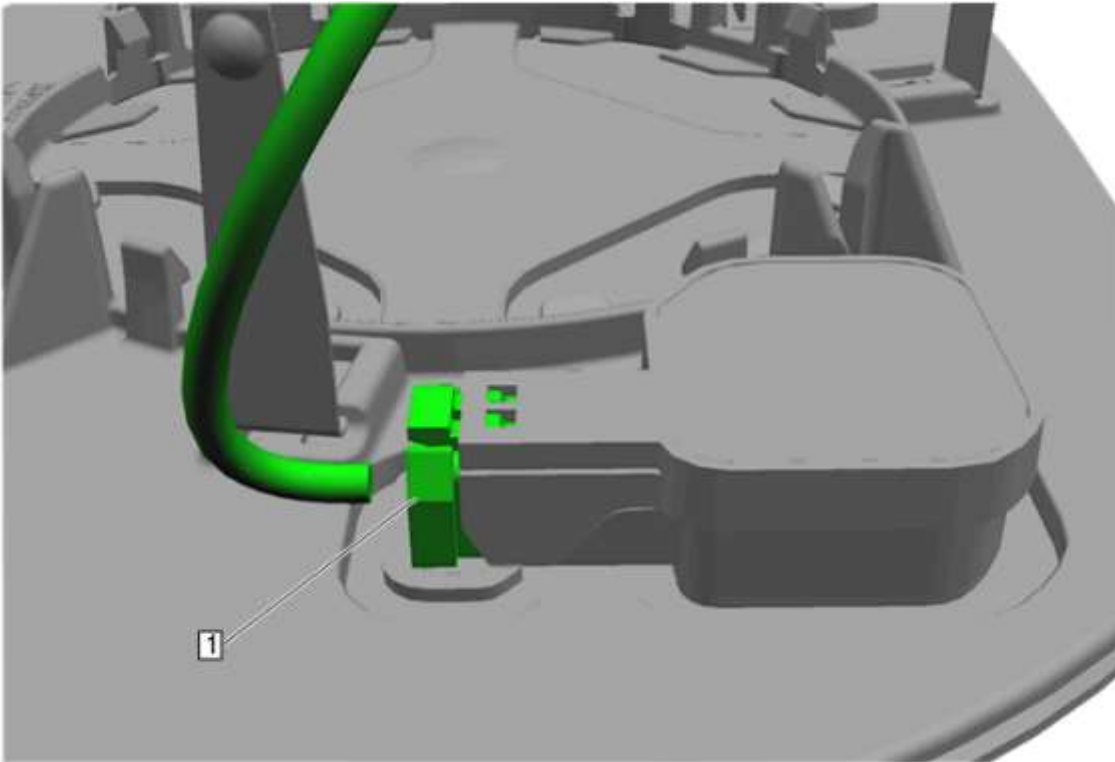
9. (If applicable) Outside Rearview Mirror Housing Upper Cover (1) » Install



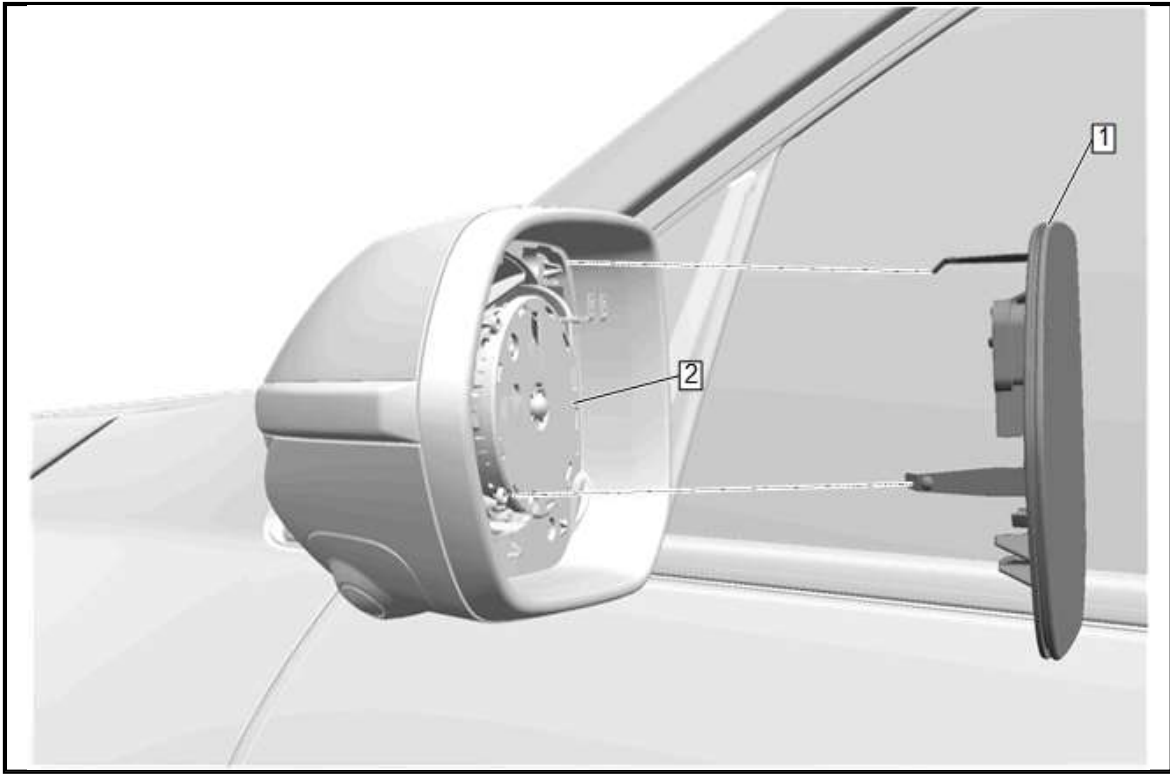
10. Outside Rearview Mirror Housing Bezel (1) » Install



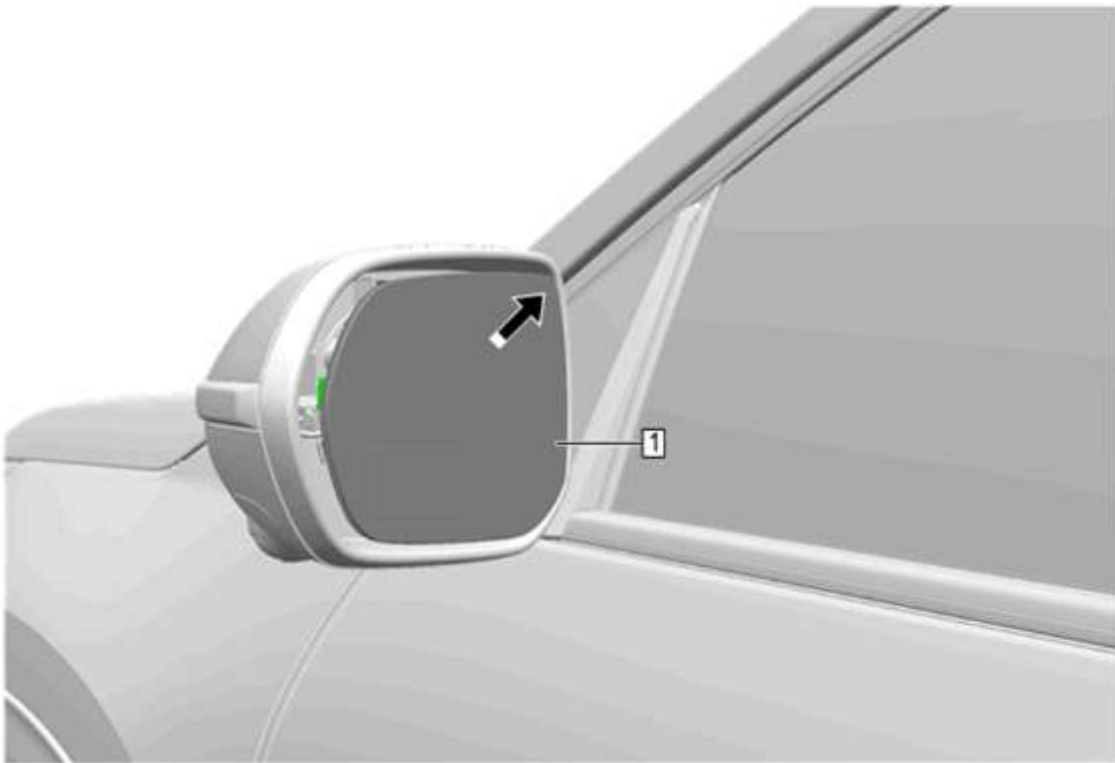
- © 2025 General Motors. All rights reserved.
11. outside rearview mirror housing bezel Bolt (1) » Install and tighten [4x] — [Fastener Specifications](#)



12. Support module from back side and fully install plug (1).
13. Connect all electrical connectors.



- © 2025 General Motors. All rights reserved.
14. Carefully align the outside rearview mirror glass (1) retainers with the outside rearview mirror actuator (2).



15. Place one hand on the back of the mirror housing and carefully apply pressure to outside rearview mirror glass (1) until outside rearview mirror glass is fully secured.
16. Remove the masking tape from the outside rearview mirror glass (1).
17. Inspect the outside rearview mirror for proper operation.