

Rear Compartment Floor Stowage Compartment Package Installation

[Installation Instructions Part Number](#)

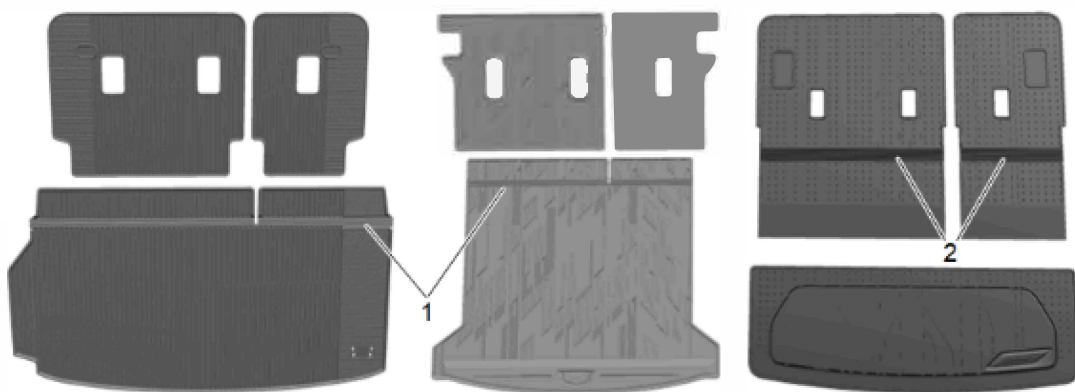
85540678

Kit Contents

Qty	Description
1	Rear Seat Back Cargo Tray
1	Rear Compartment Cargo Floor Tray
1	Installation Instructions

Description

© 2024 General Motors. All rights reserved.

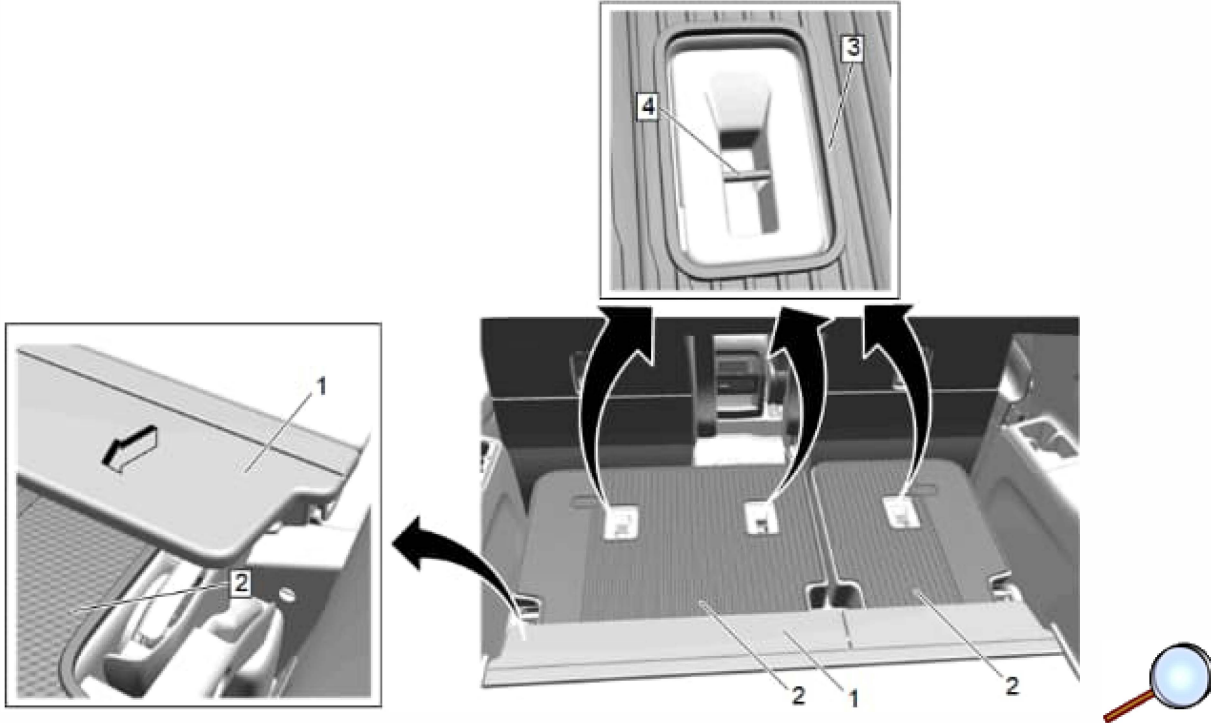
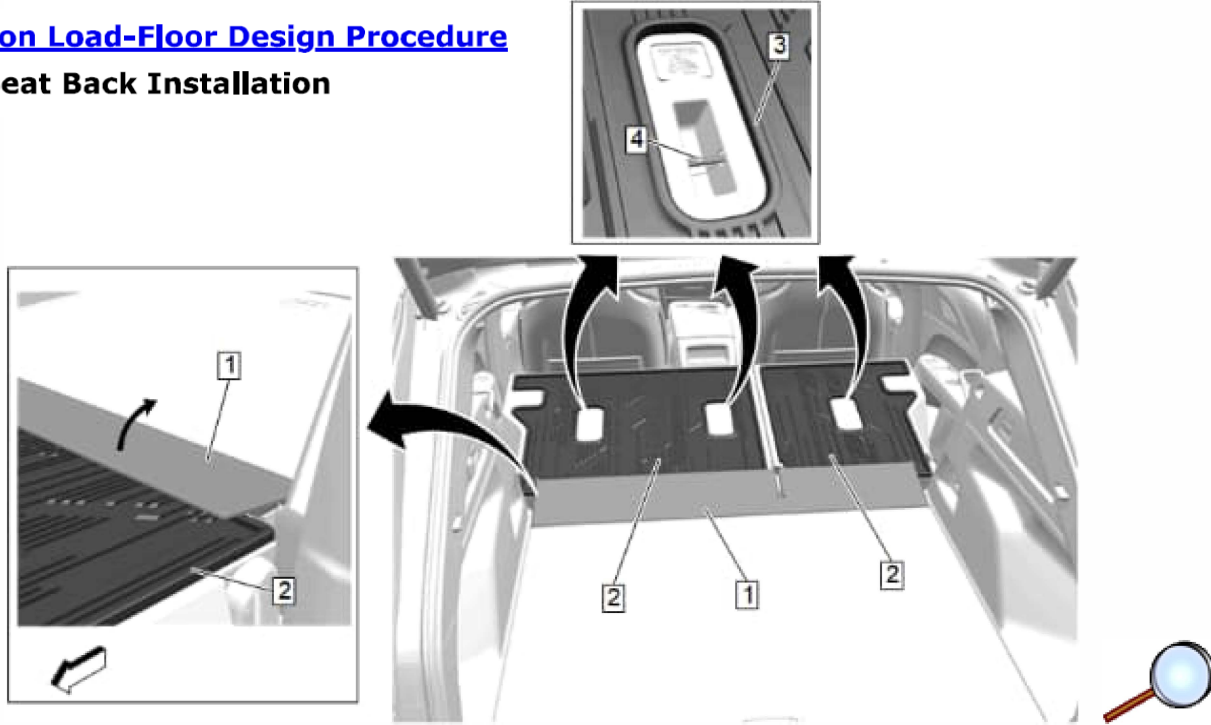


Hinge on load floor design (1)

Hinge on seat back design (2)

Hinge on Load-Floor Design Procedure

Seat Back Installation



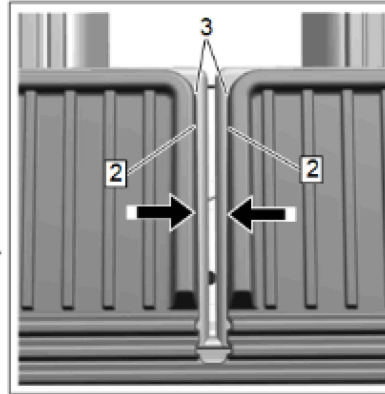
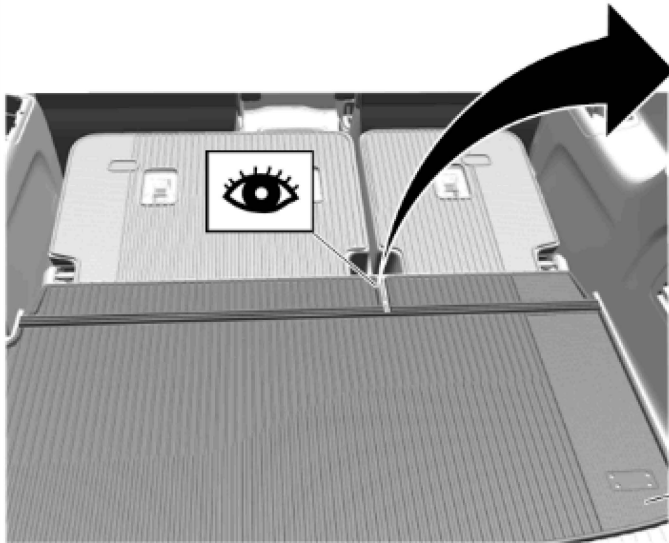
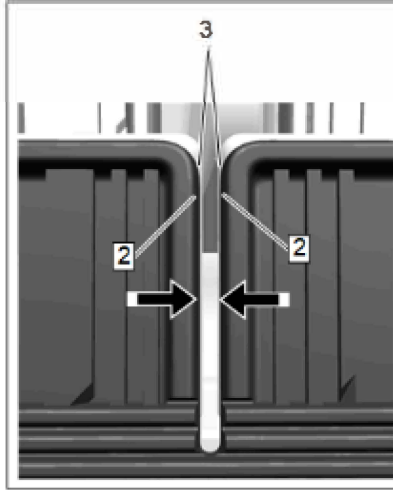
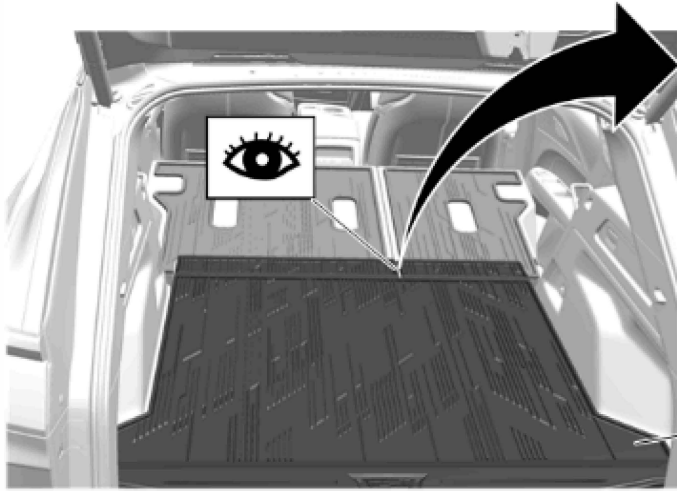
Note: Refer to appropriate image for vehicle application.

Note: If the vehicle has manual seats with pull straps. It will be necessary to cut the rear seat back cargo tray. See the **Rear Seat Back Cargo Tray Cutting** section at the end of these instructions.

1. Ensure the rear seats are in the down position.
2. Pull up on rear seat back flipper panel (1) and position seat back cargo trays (2) under flipper panel (1).
3. Install the seat back cargo trays (2) aligning the tether openings (3) to the seat tether anchors (4), and tether logo as shown.
4. Apply firm pressure at each hook & loop pad location to secure cargo trays to the seat back.

Note: If installed hook & loop pads are not compatible with vehicle carpet locate adhesive adapter pads within included attachment package and follow 'ADHESIVE ADAPTER PAD INSTALLATION' below.

Load Floor Installation



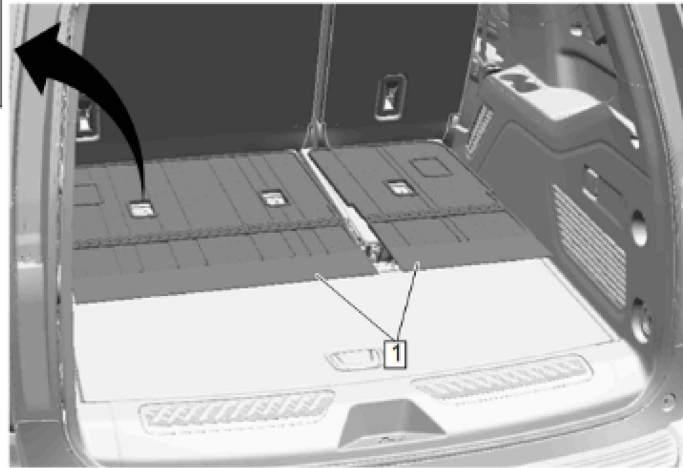
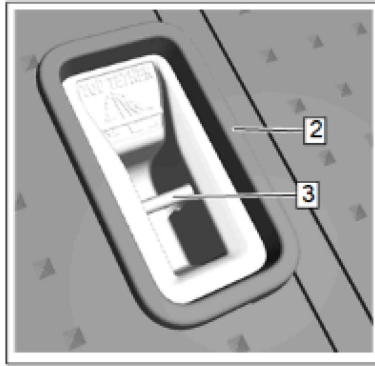
Note: Refer to appropriate image for vehicle application.

1. Install the rear cargo floor tray (1) aligning edge with the cargo sill plate.
2. Align upper flipper portion (2) of rear cargo floor tray to flipper panel (3) making sure each side is positioned evenly in opening.
3. Apply firm pressure at each hook & loop pad location to secure to the load floor.

Note: If installed hook & loop pads are not compatible with vehicle carpet locate adhesive adapter pads within included attachment package and follow 'ADHESIVE ADAPTER PAD INSTALLATION' below.

Hinge on Seat Back Design Procedure

Seat Back Installation

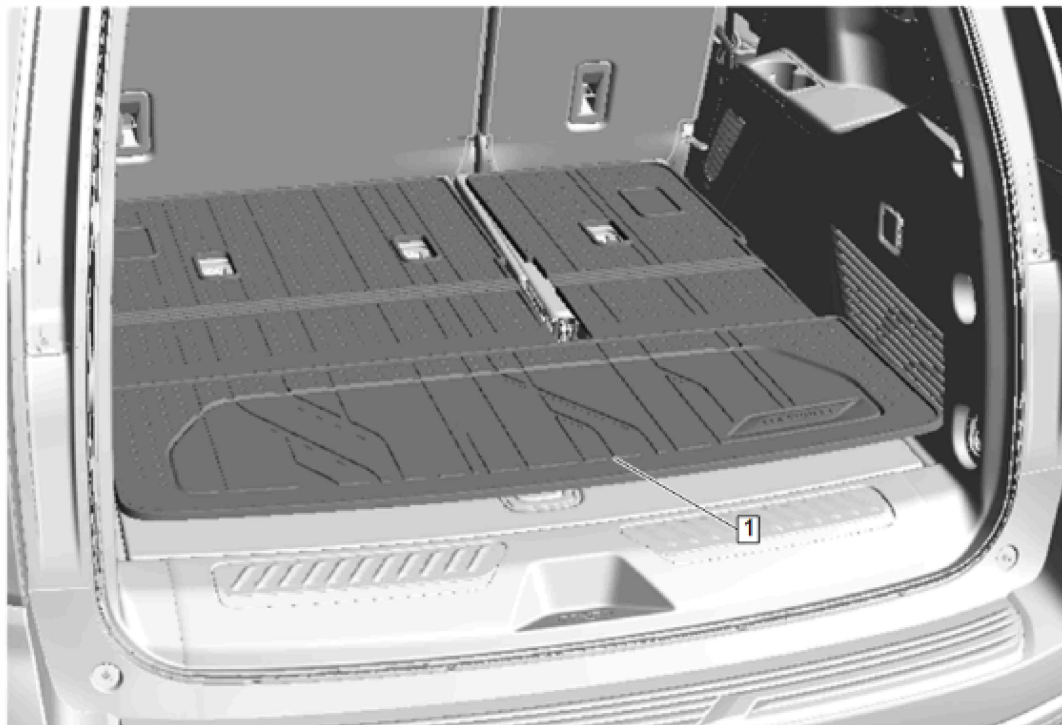


Note: If the vehicle has manual seats with pull straps. It will be necessary to cut the rear seat back cargo tray. See the **Rear Seat Back Cargo Tray Cutting** section at the end of these instructions.

1. Ensure the rear seats are in the down position.
2. Install the seat back cargo tray pieces (1) aligning the tether openings (2) to the seat tether anchors (3), and tether logo as shown.
3. Apply firm pressure at each hook & loop pad location to secure cargo trays to the seat back.

Note: If installed hook & loop pads are not compatible with vehicle carpet locate adhesive adapter pads within included attachment package and follow 'ADHESIVE ADAPTER PAD INSTALLATION' below.

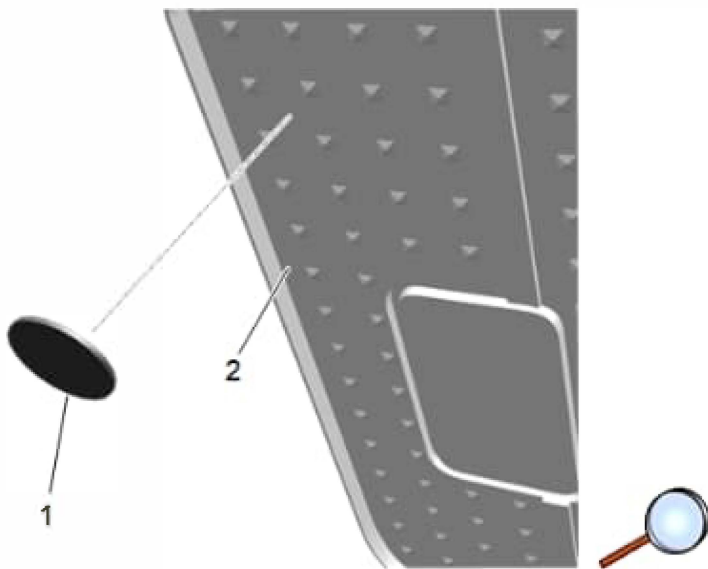
Load Floor Installation



1. Install the rear cargo floor tray (1) aligning edge with the cargo sill plate.
2. Apply firm pressure at each hook & loop pad location to secure to the load floor.

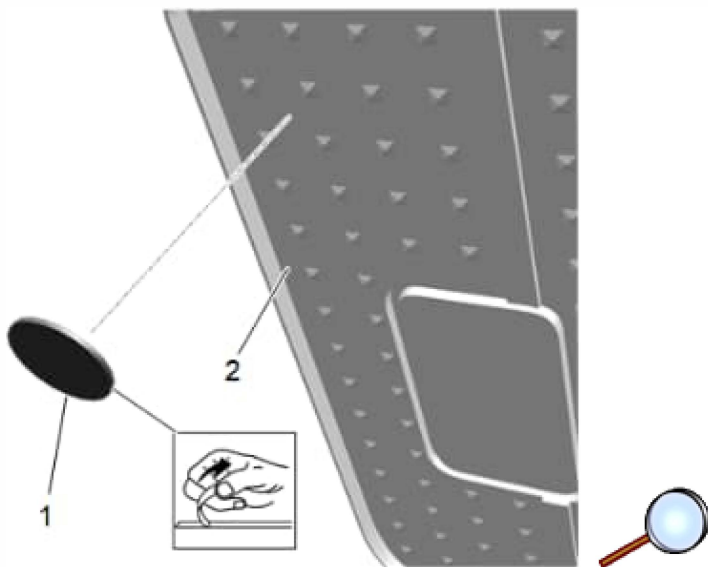
Note: If installed hook & loop pads are not compatible with vehicle carpet locate adhesive adapter pads within included attachment package and follow 'ADHESIVE ADAPTER PAD INSTALLATION' below.

ADHESIVE ADAPTER PAD INSTALLATION



Note: Hook and loop pad quantities vary on application.

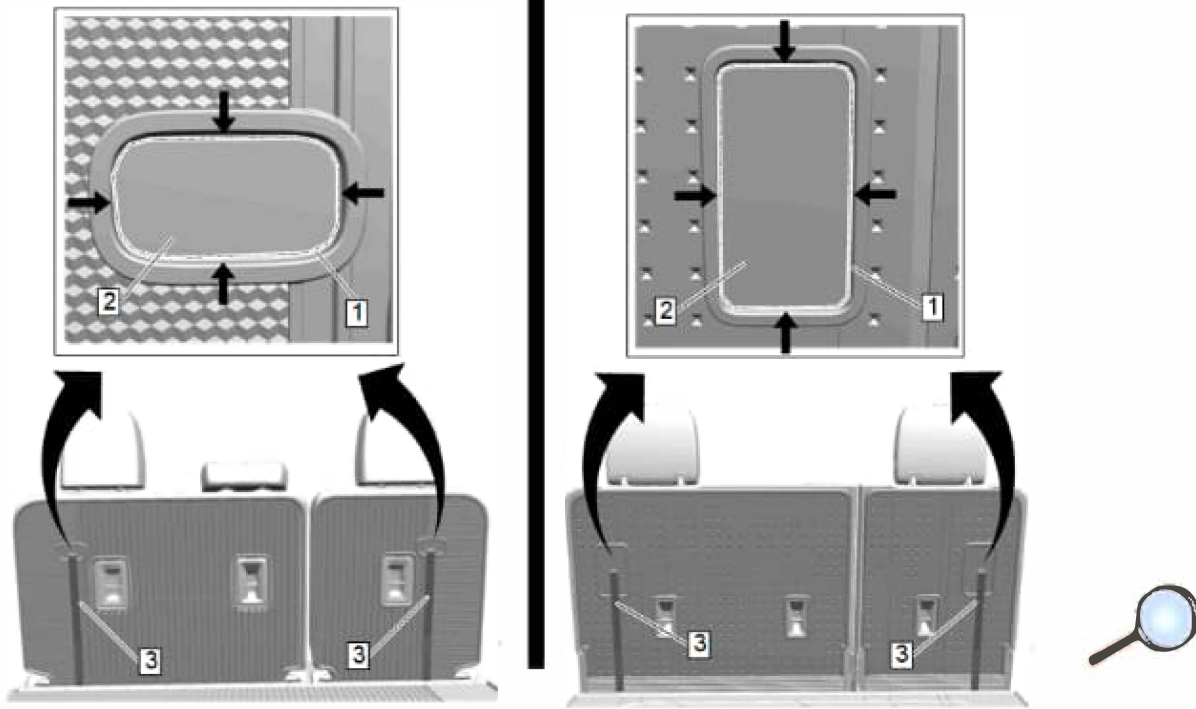
1. Remove existing hook & loop pads (1) from seat back or load floor cargo tray (2)



Note: Hook and loop pad quantities vary on application.

2. Install new adhesive adapter pads (1) to seat back or load floor cargo tray (2) and remove the backing paper from adhesive adapter pads.
3. Install the seat back or load floor cargo tray pieces as per vehicle application above.
4. Apply firm pressure at each hook & loop pad location to secure cargo trays.
5. Wait 15 minutes before adjusting/removing tray from vehicle to allow adhesive to cure.

Rear Seat Back Cargo Tray Cutting



Note: Refer to appropriate image for vehicle application.

Caution: Always check size and position of areas before cutting. Failing to do so may cause damage to the vehicle, misalignment of components or the inability to install the accessory.

1. Using a suitable cutting tool, remove the material (2) along the line (1) on the inside of rubber bezel of the rear seat back cargo tray.
2. Route the seat pull straps (3) through the cut opening of the rear seat back cargo tray.