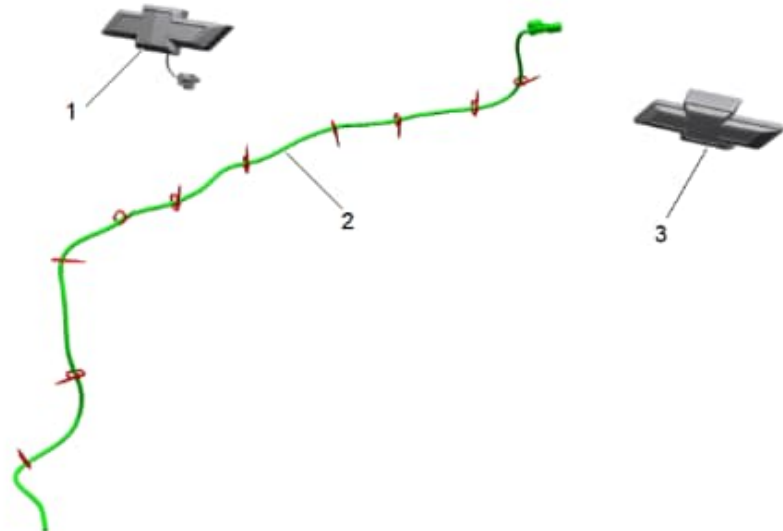


# Body Emblem Package Installation

## [Installation Instructions Part Number](#)

85557014



### Kit Contents

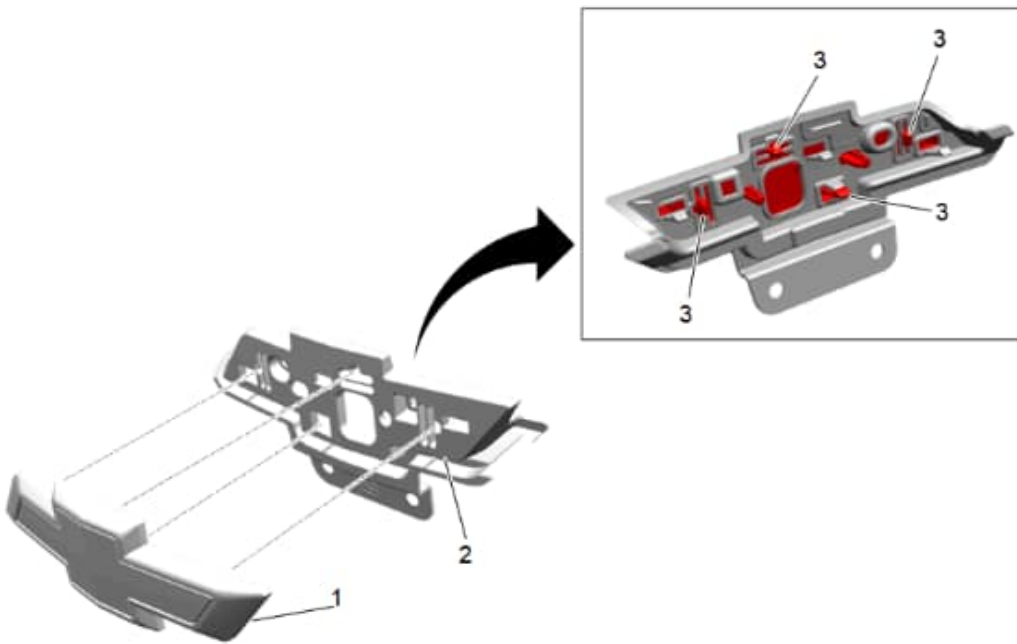
Item	Qty	Description
1	1	Illuminated Emblem
2	1	Harness Package
3	1	Rear Emblem – If equipped
-	1	Installation Instructions

### Required / Recommended Tools

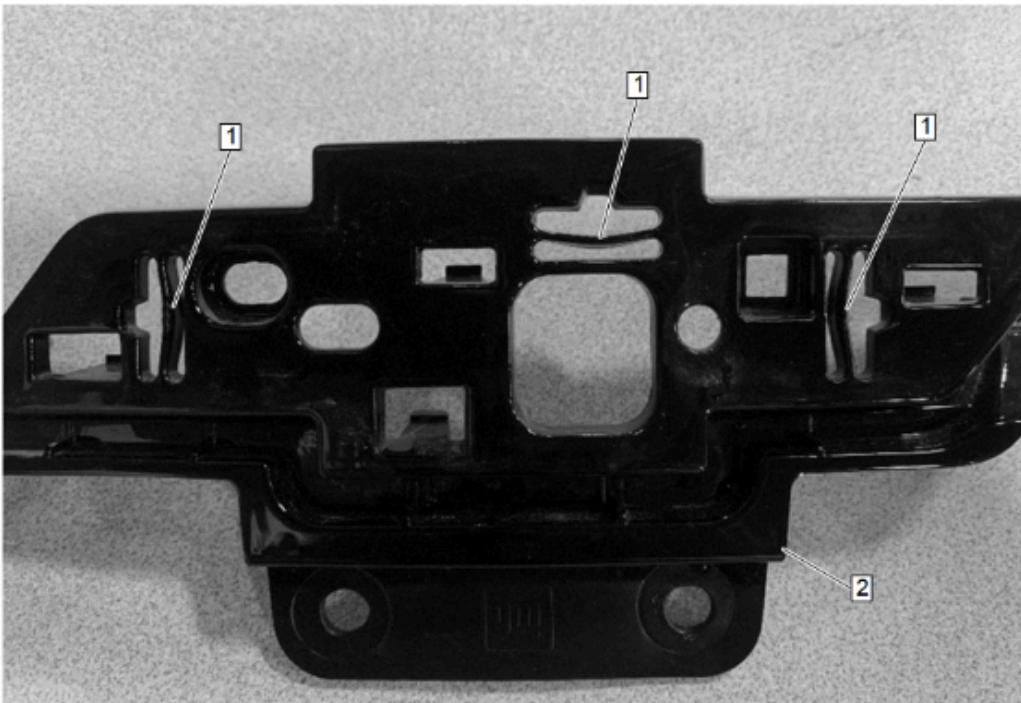
Plastic flat-bladed tool

### Procedure

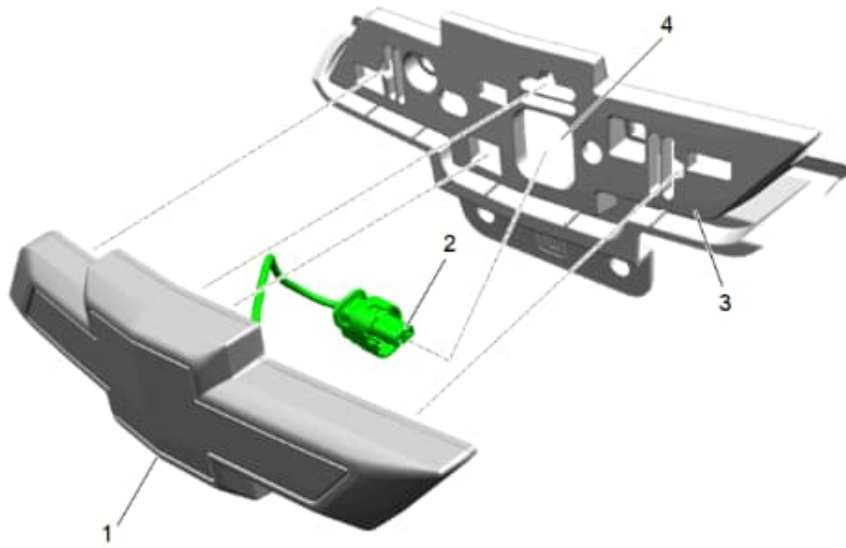
- 1. Front Bow Tie Emblem Replacement.** Read all instructions before performing procedure.
- Inspect kit to verify all parts are included.
- Turn off the vehicle.
- Open the hood.
- Remove the front decorative lamp. Refer to [Front Decorative Lamp Replacement](#) in Vehicle Service Manual.



6. On the backside of emblem plinth (2), disengage the retaining tabs (3) and remove the emblem (1) from plinth.

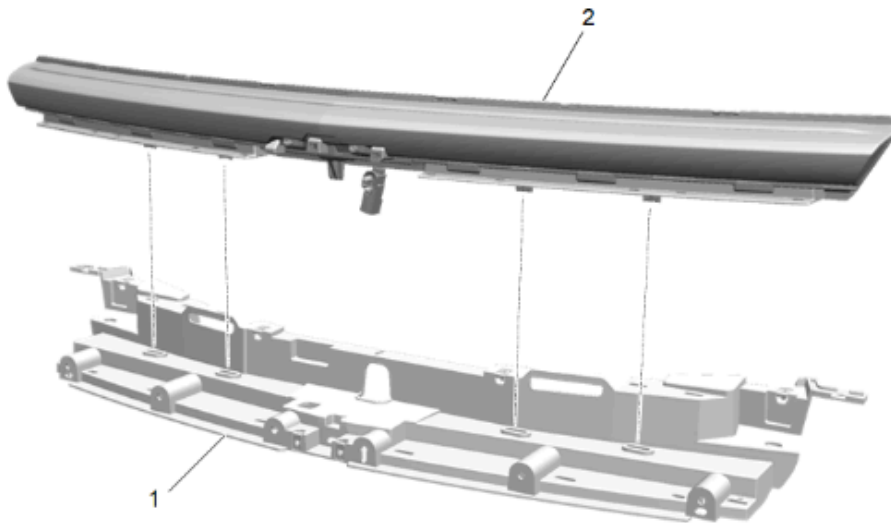


7. **Note:** If the plinth opening (1) for retaining tab is permanently deformed, please replace the plinth (2) before installing the illuminated emblem

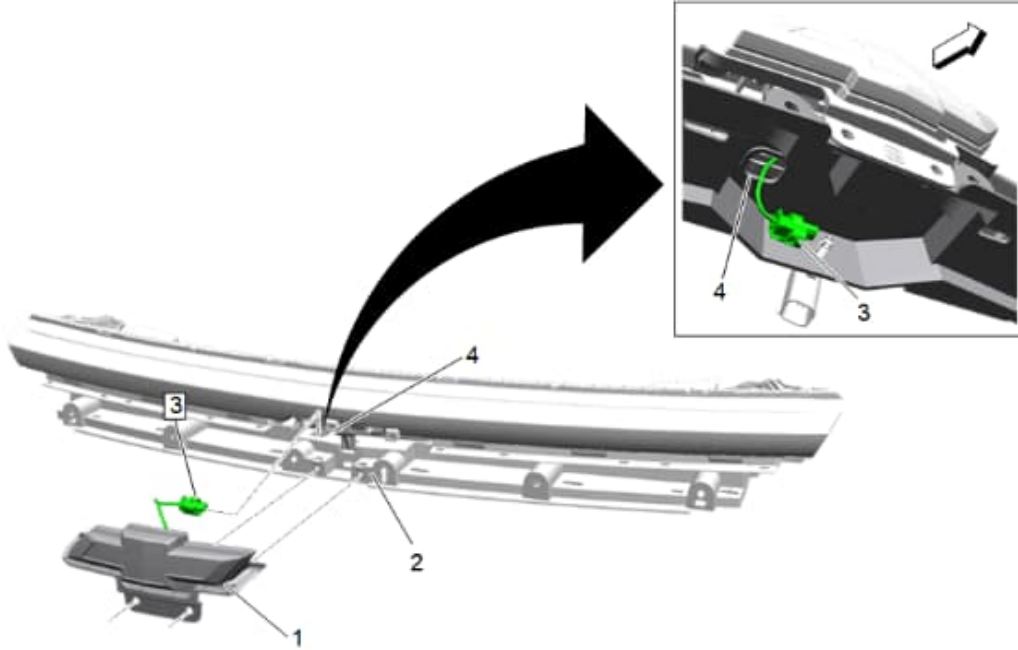


8. Install the illuminated emblem from kit (1) to the plinth (3) routing pigtail (2) through plinth opening (4) and engage the retaining tabs on the backside of the emblem.

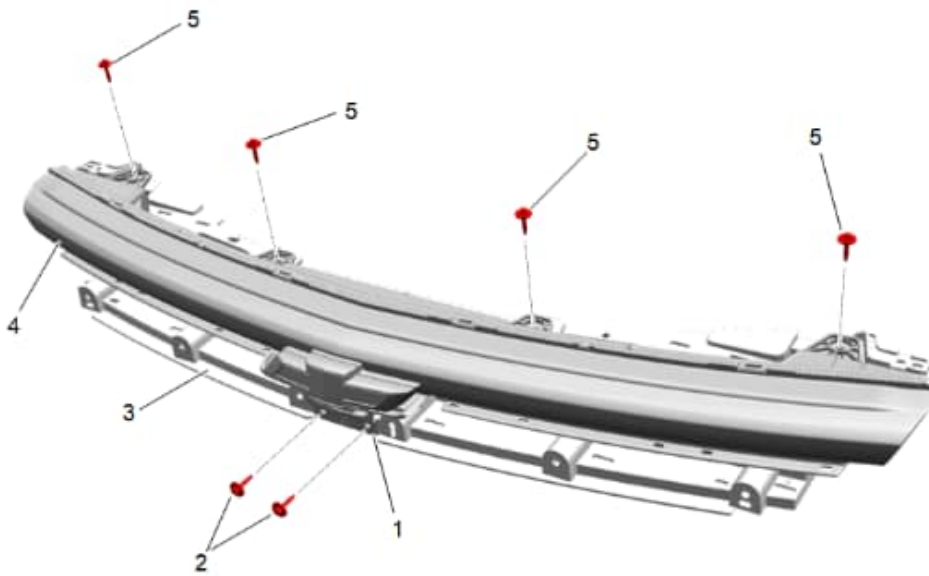
**Note:** It may be necessary to wiggle the retaining tab and push down the retaining wall on the backside of emblem to make sure retaining tabs are fully engaged.



9. Position the front decorative lamp (2) to the support bracket (1), do not secure lamp to bracket at this time.



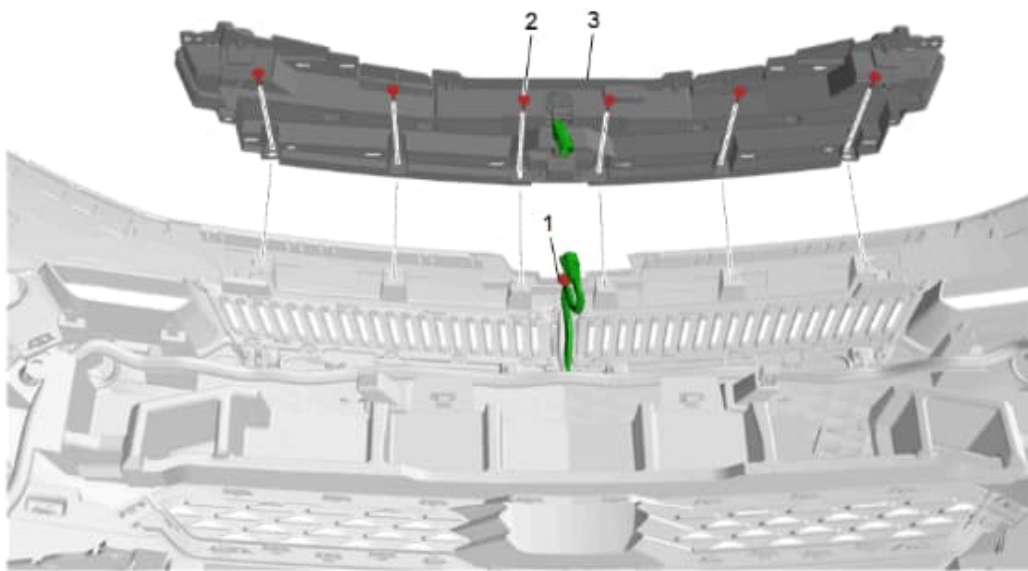
10. Position the emblem/plinth assembly (1) to the support bracket (2) while routing pigtail (3) through the support bracket opening (4).



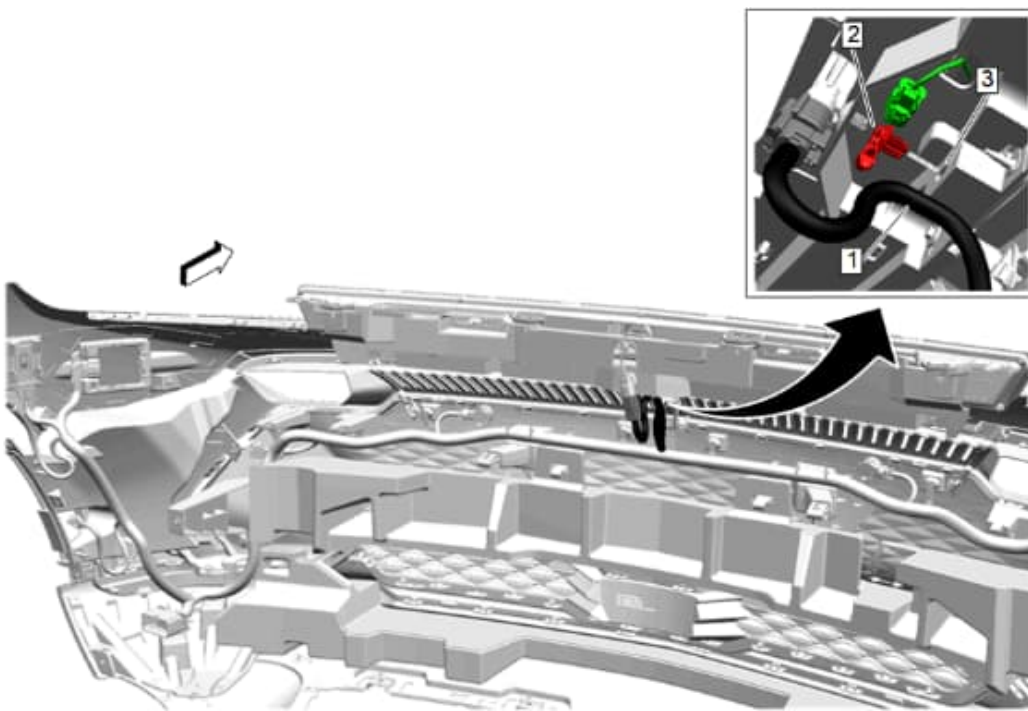
**Caution:** Use the correct fastener in the correct location. Replacement fasteners must be the correct part number for that application. Fasteners requiring replacement or fasteners requiring the use of thread locking compound or sealant are identified in the service procedure. Do not use paints, lubricants, or corrosion inhibitors on fasteners or fastener joint surfaces unless specified. These coatings affect fastener torque and joint clamping force and may damage the fastener. Use the correct tightening sequence and specifications when installing fasteners in order to avoid damage to parts and systems.

11. Install the screws (5) securing the front decorative lamp (4) to support bracket (3). Tighten screws to 2.5 N.m (22 lb in).

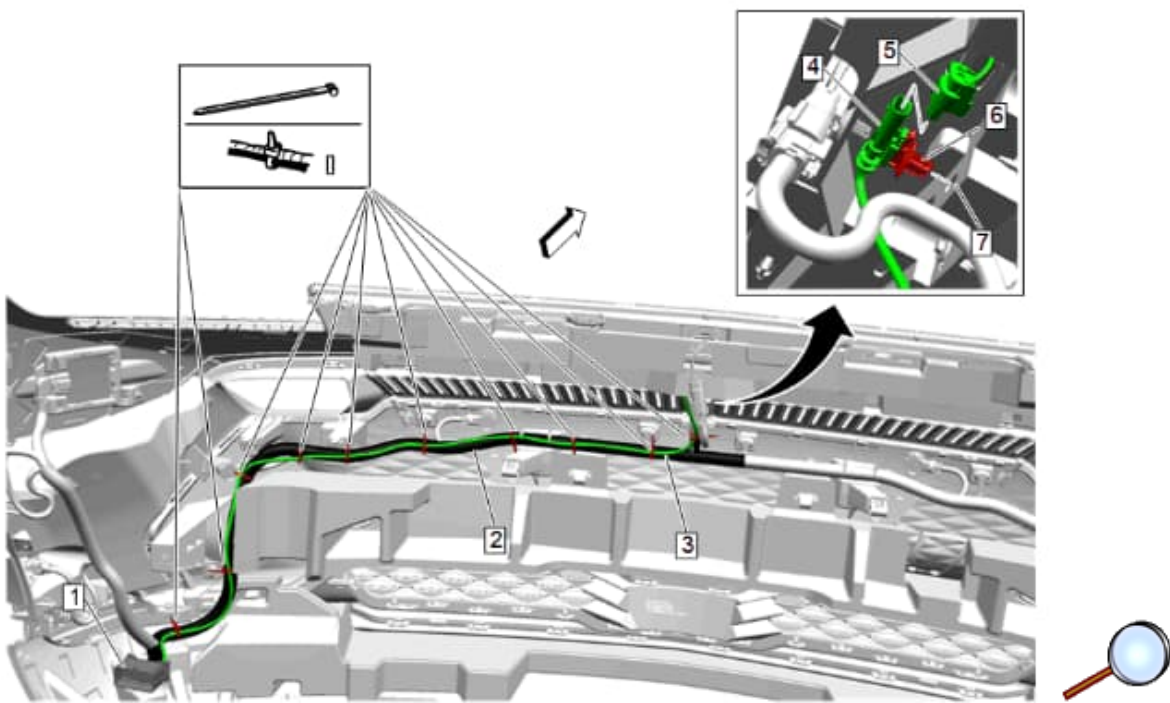
12. Install the screws (2) securing the emblem/plinth assembly (1). Tighten screws to 2.5 N.m (22 lb in).



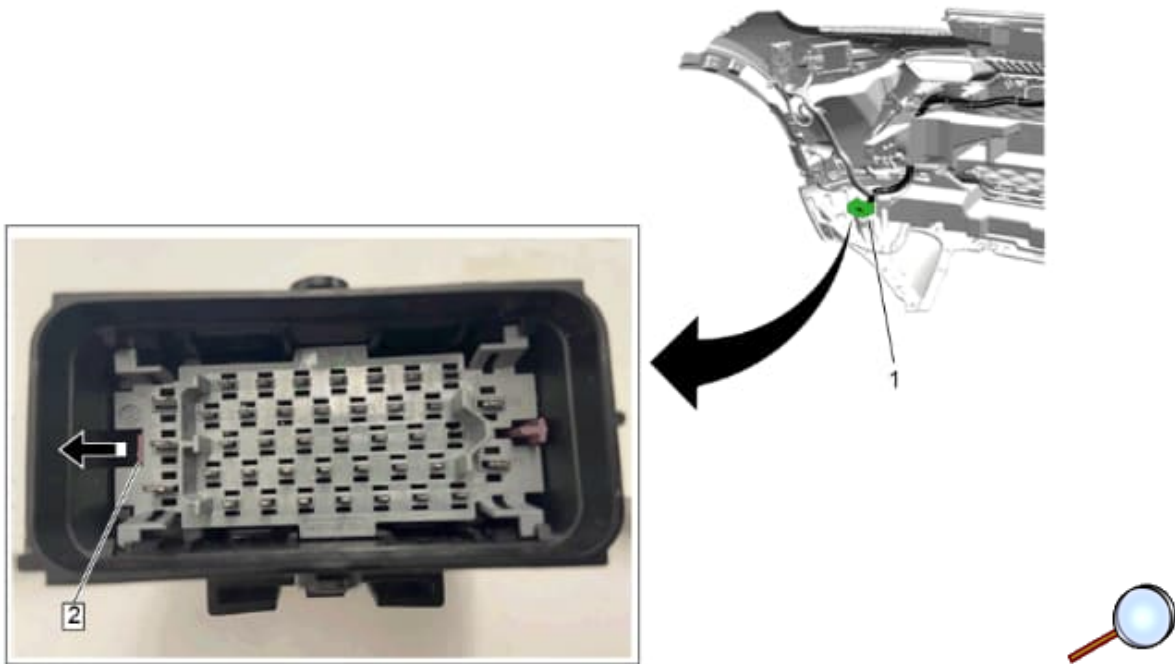
- 13. Front Grille Support Bracket (3) » Install
- 14. Front Bumper Fascia Lower Stiffener Bolt (2) » Tighten bolts to 2.5 N.m (22 lb in).
- 15. Connect the electrical connector.



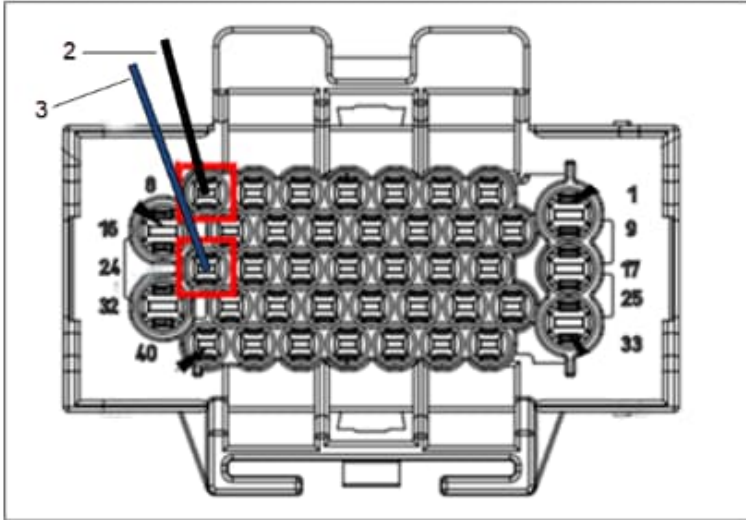
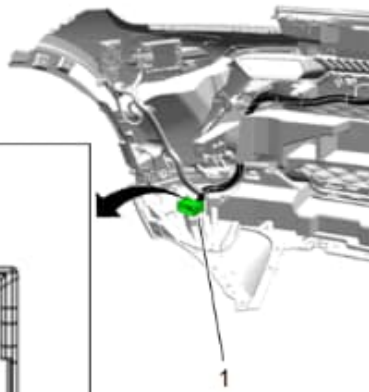
- 16. Disengage fascia harness clip (2) from the fascia harness (1) and remove clip from fascia (3).



17. Connect the accessory harness connector (4) to the illuminated emblem connector (5).
18. Insert the accessory harness clip (6) into the fascia (7) where previous clip was removed.
19. Route the accessory harness (3) along the front fascia harness (2) towards the fascia harness connector (1) and secure accessory harness to front fascia harness with supplied tie straps. Trim excess off tie straps.



20. Locate the front fascia connector X111 (1) and unlock the terminals by sliding the SLR (2) up.



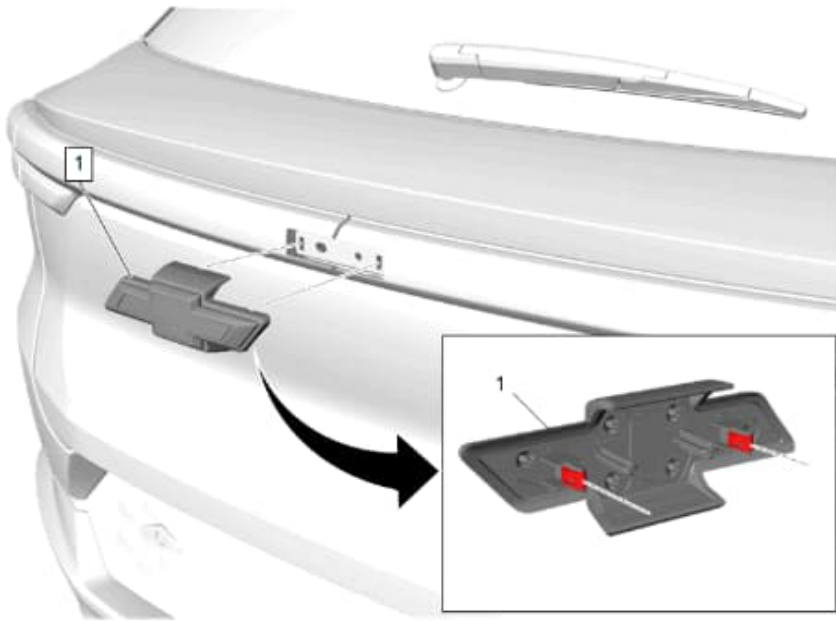
21. On the backside of fascia connector X111 (1), insert the BLACK terminal of the accessory harness (2) into cavity 8 of fascia connector X111.
22. On the backside of fascia connector X111 (1), insert the BLUE terminal of the accessory harness (3) into cavity 24 of fascia connector X111.
23. Lock the inserted terminals into connector by sliding the SLR down. Make sure terminals are locked into connector.



24. With the aid of an assistant, install the fascia. (1) — [Front Bumper Fascia Removal and Installation](#)
25. Confirm fog lamp, headlamp and grille emblem operation.

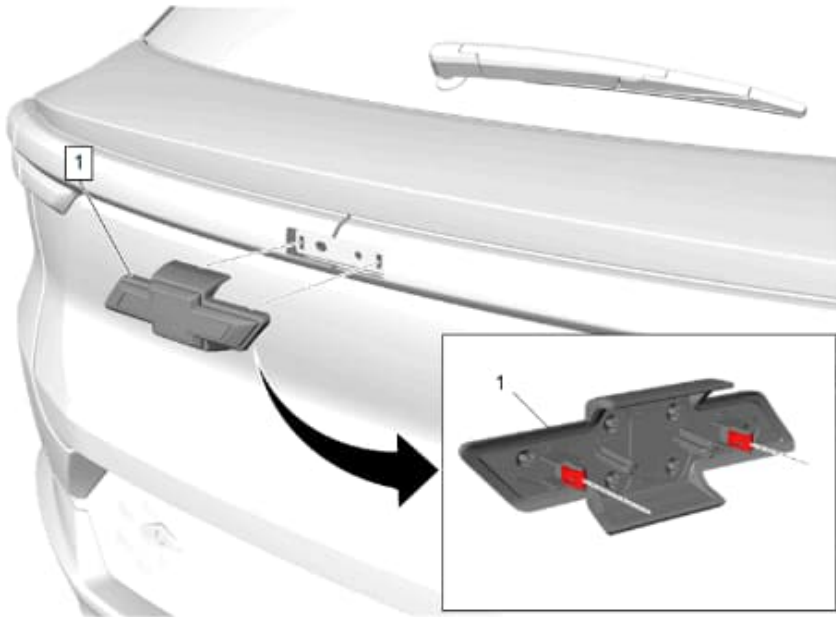
### Rear Bow Tie Emblem Replacement

© 2024 General Motors. All rights reserved.



**Note:** Exterior temperature of vehicle should be between 21°C – 43°C (70°F – 110°F) prior to removing grille bowtie emblem and insert. Any temperatures below the recommended could result in broken retaining tabs on liftgate applique.

1. Using a suitable flat-bladed tool, carefully remove the bowtie emblem (1) from liftgate releasing the retaining tabs.



2. Position new black emblem (1) to the liftgate making sure the retaining tabs are engaged.