

Body Emblem Package Installation

Installation Instructions Part Number

85557396

Kit Contents

Qty	Description
2	Emblem (Door) - "COLORADO"
1	Emblem (Endgate) - "COLORADO"
1	Emblem (Endgate) - "ZR2" (If Equipped)
1	Emblem (Grille) - "Trail Boss" (If Equipped)
1	Installation Instructions

© 2025 General Motors. All rights reserved.

Tools Required

Masking Tape

Rubber Roller

Scissors

Plastic Flat-Bladed Tool

Before you start

Note: For the nameplate to adhere best, the vehicle's mating surface (doors, rear compartment, etc.) should be free of damage (dents, scratches, creases, fractures, etc.).



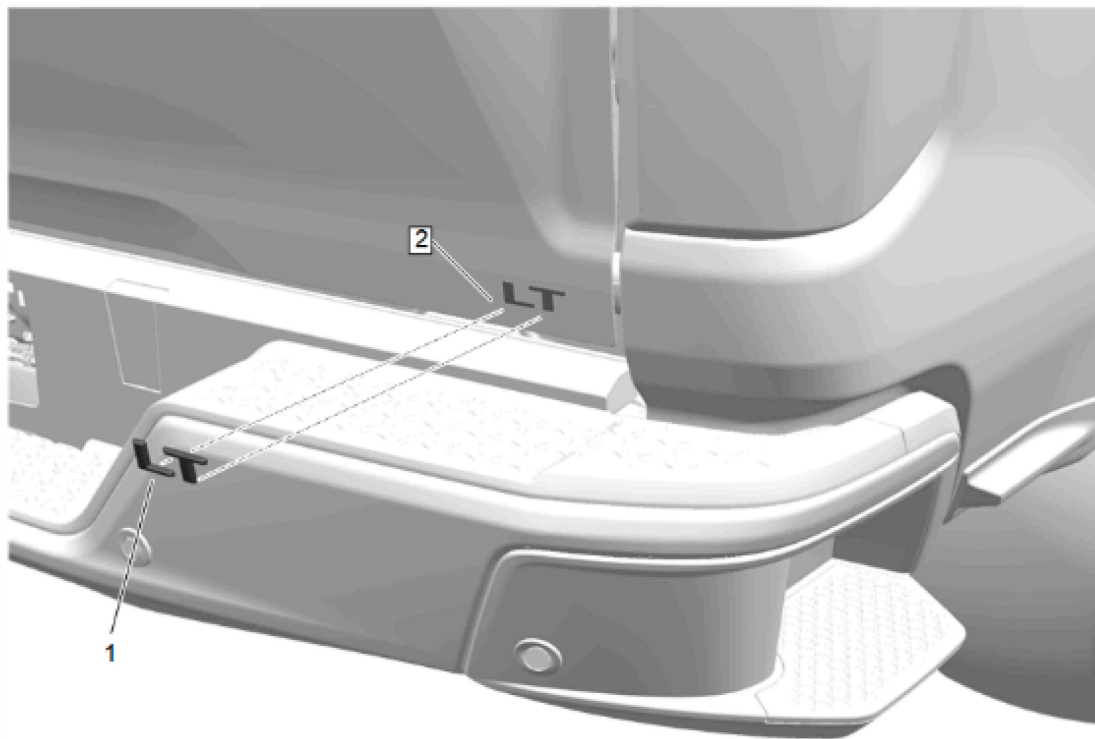
Caution: Do not use heat gun/hair dryer or apply excessive heat to the emblem/nameplate as this may damage the paint and surrounding panel surfaces during removal.



Caution: Use a plastic, flat-bladed tool to prevent paint damage when removing an emblem/nameplate. Do not use fishing line to remove nameplate as this may worsen the tape residue cleaning process. Use Isopropyl Alcohol and Lint Free Cloth to remove tape residue. Heavy foam/adhesive residue remaining on the painted surface can be removed using 3M's Scotch-Brite™ Molding Adhesive and Stripe Removal 4-inch Foam Disc. DO NOT use hard Stripe off wheel.

Caution: Only install nameplates as a direct replacement of the existing vehicle content.

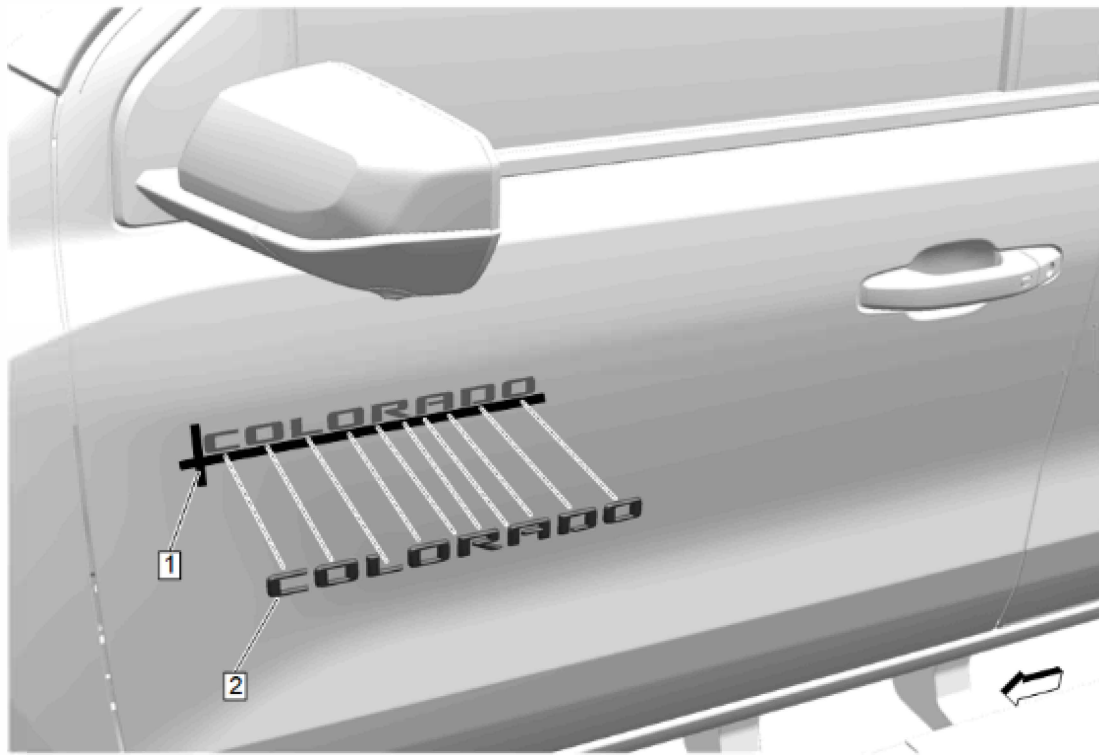
1. The part and surface should be 21°C (70°F) prior to installation. The vehicle should remain 21°C (70°F) for one hour after assembly to allow adhesive to develop sufficient bond strength.
2. Wash the vehicle mating surfaces (Door or Endgate) with a non-petroleum based cleaning product. If a stronger cleaner is required to remove any contaminants, use 3M® general purpose Adhesive Cleaner (P/N 08984). Then, thoroughly dry with a soft clean cloth.



Note: LT endgate emblem is not supplied with kit.

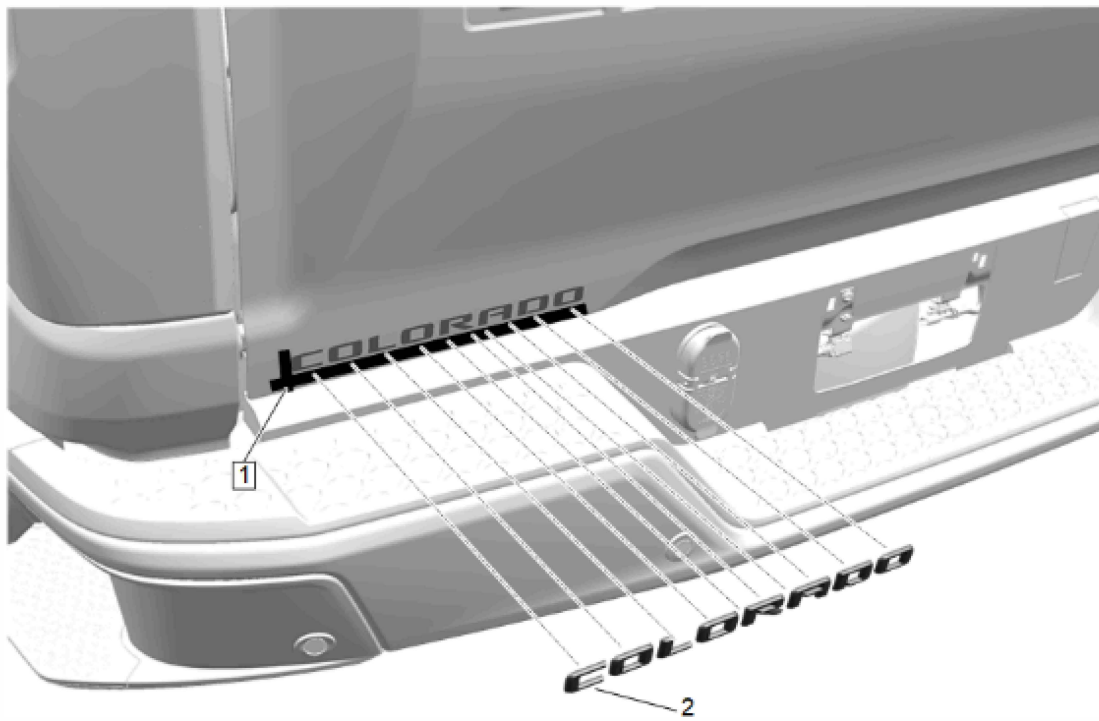
3. Remove the chrome LT emblem (1) from endgate (2), if equipped, and clean the surface area of endgate (2) where LT emblem was installed. There is no replacement LT emblem for this kit.

Door Emblem (COLORADO)

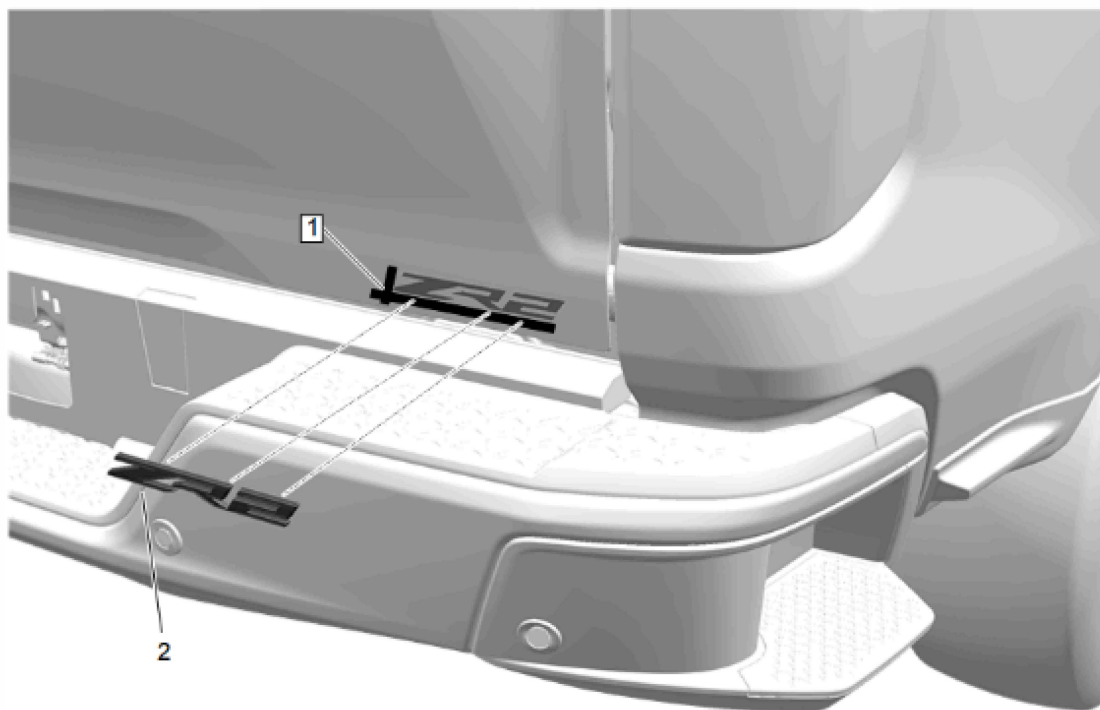


© 2025 General Motors. All rights reserved.

Endgate Emblem (COLORADO)



Endgate Emblem (ZR2) If Equipped

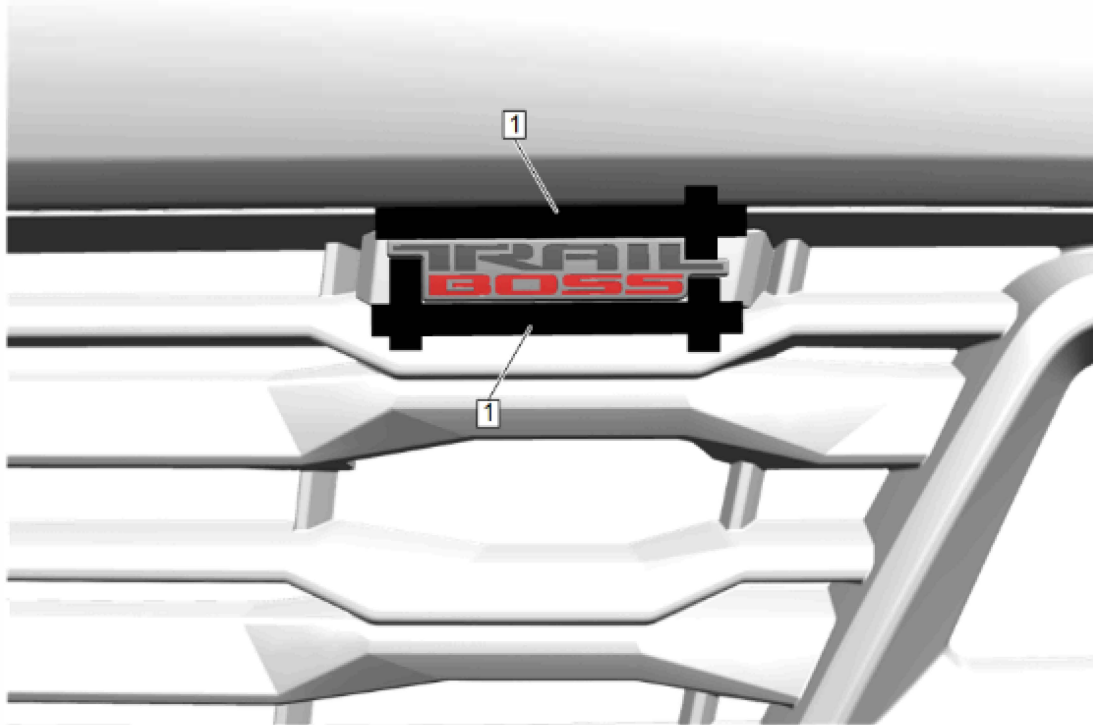


© 2025 General Motors. All rights reserved.

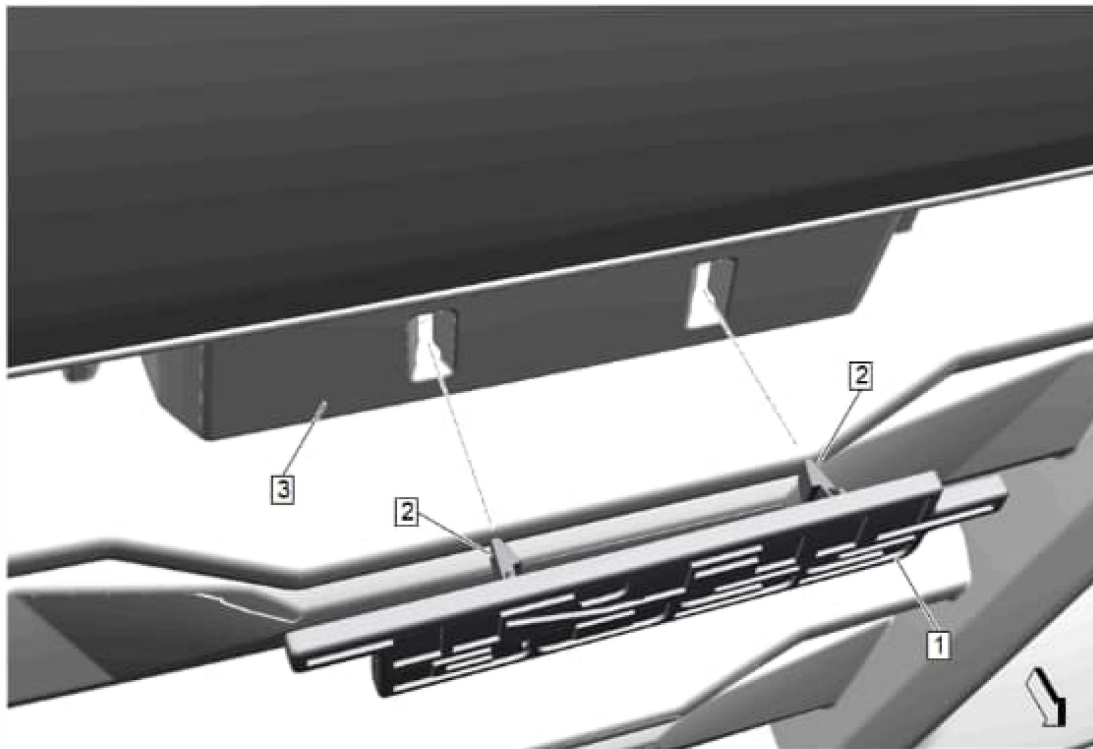
Procedure (Door and Endgate)

1. Apply masking tape (1) around existing nameplates to be replaced. Tape the left side and the bottom edge of the existing nameplate. This will be the locating feature for the new accessory nameplate.
2. Use a plastic flat-bladed tool to remove the chrome nameplate.
3. Using 3M® general purpose Adhesive Cleaner (P/N 08984), wipe the area where the nameplate will be installed. Wipe surface dry with a clean lint-free towel.
4. Take one of the nameplates (2) and peel the protective liner from the adhesive backing. Be careful not to touch the tape with hands and do not allow tape to come in contact with dirt or any foreign matter prior to adhesion.
5. **IMPORTANT:** The adhesive will bond quickly to the paint. In the event that the nameplate should be mis-aligned after installation, do not attempt to remove the nameplate as this will cause paint damage. To avoid mis-alignment, do not drop the nameplate into place. Instead, first align the bottom edge of the emblem lettering to the masking tape. Then, toggle the nameplate into place.
6. Using the palm of the hand or an applicable roller with approximately 10 lbs of pressure, wet out the emblem/name plate to the mating surface to ensure full adhesion of the nameplate is made.
7. Remove masking tape.
8. Repeat the same procedure for the remaining nameplates.

Procedure (Trail Boss Grille Emblem)

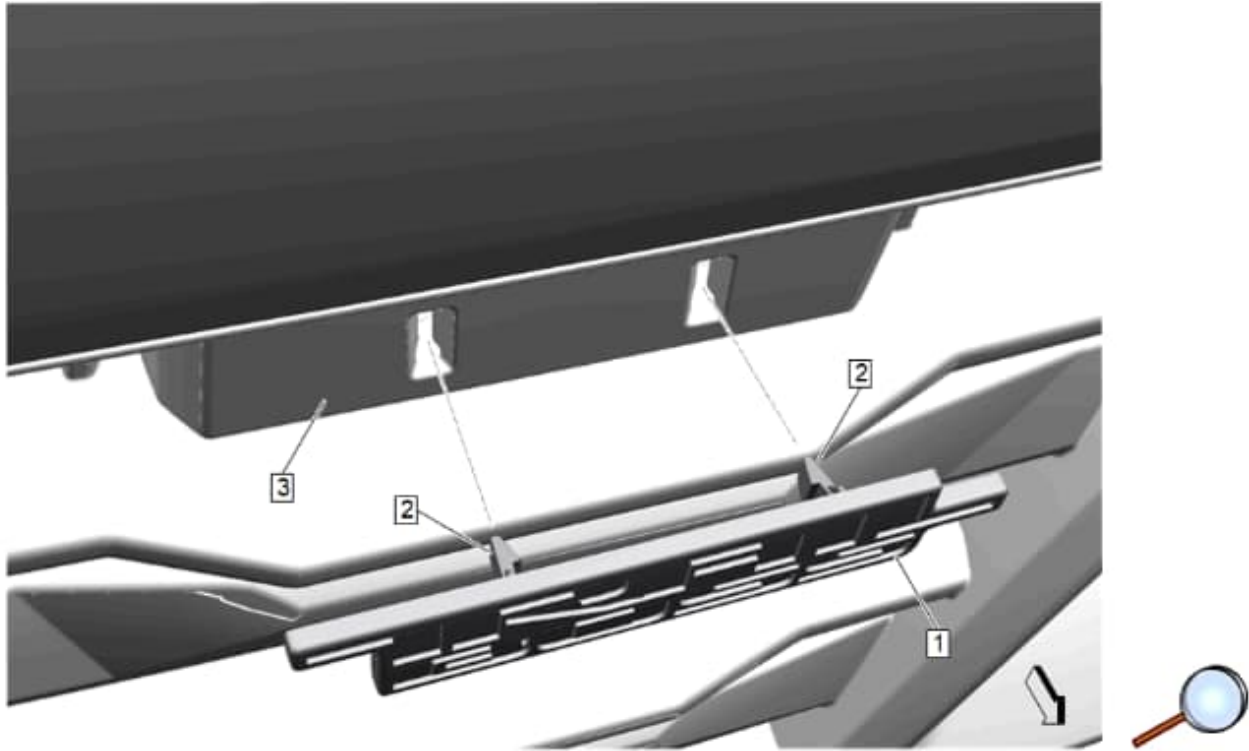


1. Apply masking tape (1) around the outside of the grille emblem.



Note: Upon removal of trail boss grille emblem, the emblem may break upon removal. Discard emblem upon removal.

2. Using a suitable plastic flat bladed tool, release the two locking tabs (2) and remove the emblem (1) from the grille plinth (3).
3. Remove masking tape.



© 2025 General Motors. All rights reserved.

4. Position the emblem (1) to the grille plinth (3) and apply pressure to engage the locking tabs (2).
5. Verify that the emblem is fully seated and securely attached to the grille.