

Rear Mud Guard Package Installation (Instruction ID: 85559439)

[Installation Instructions Part Number](#)

85559439

Please read instructions thoroughly before starting.

Kit Contents

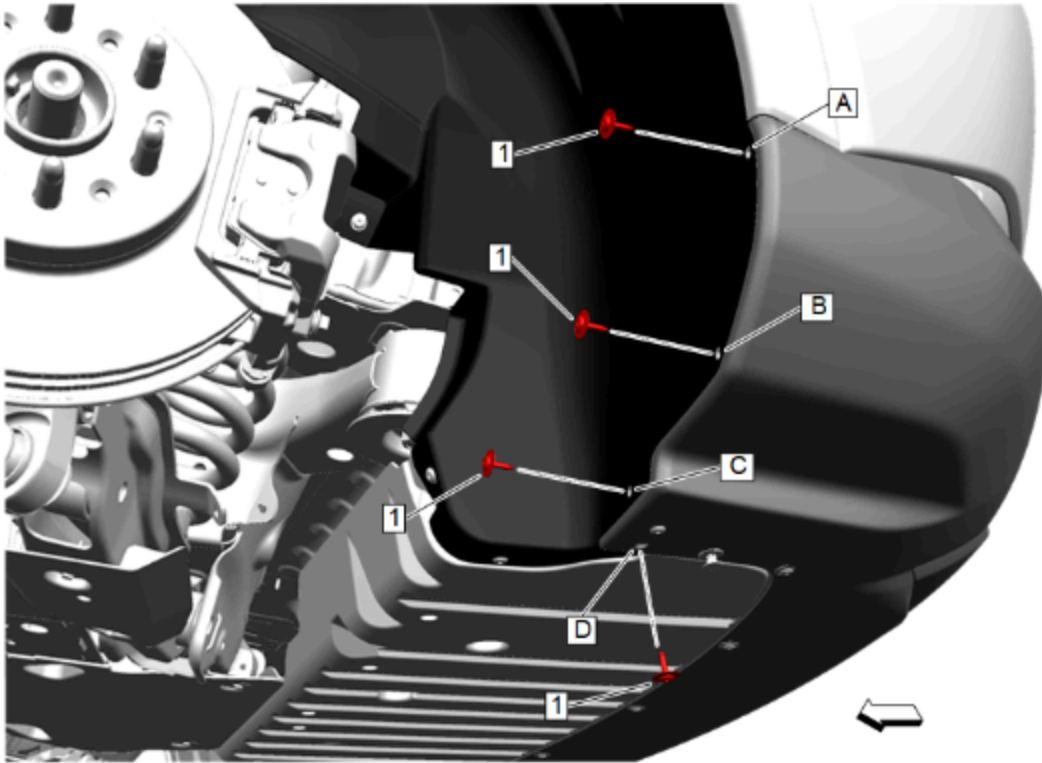
Qty	Description
1	Left Hand Splash Guard
1	Right Hand Splash Guard
8	Screw
2	Rivet
1	Instruction Sheet

[Special Tools](#)

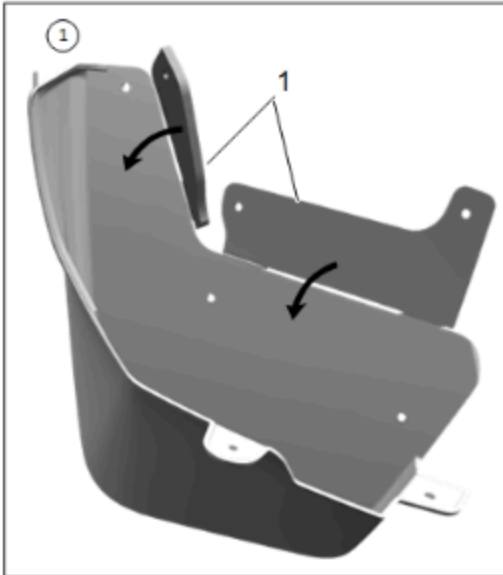
- T15 Torx Screwdriver
- 5mm (13/64") Drill Bit/Drill
- Rivet Gun
- Awl
- Clean Cloth/Rag
- Isopropyl Alcohol

[Procedure](#)

1. Remove the rear wheel and tire assembly. Refer to [Tire and Wheel Removal and Installation](#) in Vehicle Service Manual.
2. Clean and degrease body panel where splash guards are to be located.
3. Using isopropyl alcohol, clean area where tape will contact body panel.

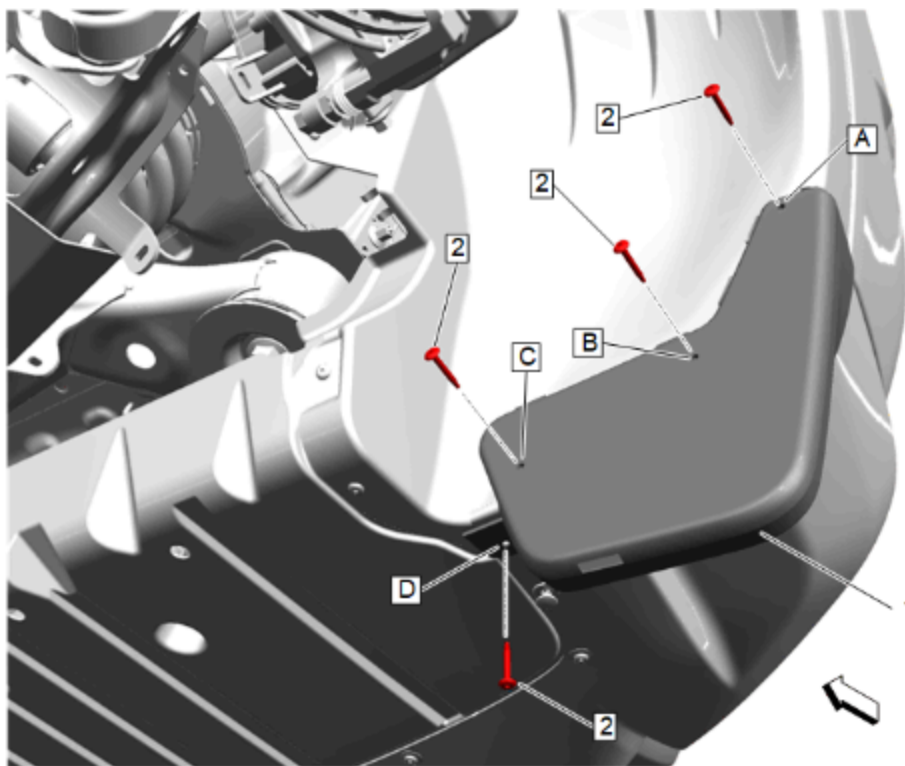


4. Remove existing screws (1) at locations **(A)**, **(B)**, **(C)** and **(D)** and discard screws.



Note: LT splash guard shown, RS is similar.

5. . Make sure foldable hinge (1) is fully folded into place.

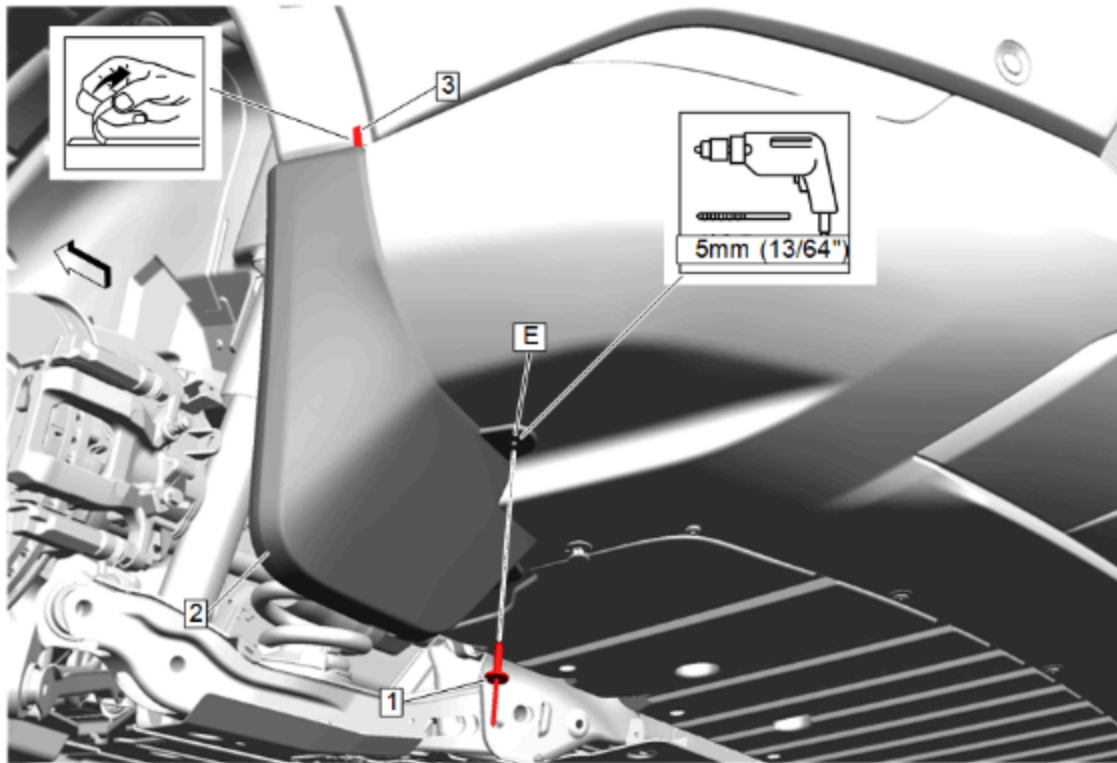


Caution: Use the correct fastener in the correct location. Replacement fasteners must be the correct part number for that application. Fasteners requiring replacement or fasteners requiring the use of thread locking compound or sealant are identified in the service procedure. Do not use paints, lubricants, or corrosion inhibitors on fasteners or fastener joint surfaces unless specified. These coatings affect fastener torque and joint clamping force and may damage the fastener. Use the correct tightening sequence and specifications when installing fasteners in order to avoid damage to parts and systems.

6. Place splash guard (1) to vehicle and install supplied screws (2) at locations **(A), (B), (C) and (D)**.

Tighten

Tighten screws to 3.0 N.m (2.0 lb ft)



Caution: Always check size and position of all holes before drilling. Failing to do so may cause damage to the vehicle, misalignment of components or the inability to install the accessory.

7. While holding the splash guard (2) firmly to the vehicle to remove any gaps and making sure the red tape pull tab (3) is accessible, carefully drill a 5mm (13/64") hole at location **(E)**.
8. Install supplied rivet (1) at location **(E)**.
9. Remove tape pull tab (3) and apply firm pressure to the splash guard (2) along the tape line to adhere the tape to the fascia. Hold the firm pressure for a minimum of 60 seconds to properly adhere the tape.
10. Install the rear wheel and tire assembly. Refer to [Tire and Wheel Removal and Installation](#) in Vehicle Service Manual.
11. Repeat procedure for other side.
12. Guards can be cleaned with any commercially available cleaner.