

# Rear Bumper Fascia Trailer Hitch Access Hole Cover Package Installation (Instruction ID: 85563742)

## Installation Instructions Part Number

85563742

### Kit Contents

Qty	Description
1	Bezel
7	Stamp Nut (LT Models)
5	Stamp Nut (RS Models)
4	Rivet (LT Models)
5	Rivet (RS Models)
2	U-Nut
2	Screw
1	Installation Instructions

### Tools Required

5mm, (13/64") Bit and Drill

Pneumatic Reciprocating Cutting Tool \*See Note Below



Rivet Gun

**Note:** Disc cutting tools are not recommended. The high rotary speeds cause the plastic to melt and result in an un-clean cut. As the plastic cools it becomes difficult to remove the burrs. using a straight cutting tool such as a reciprocating saw is recommend.

### Procedure

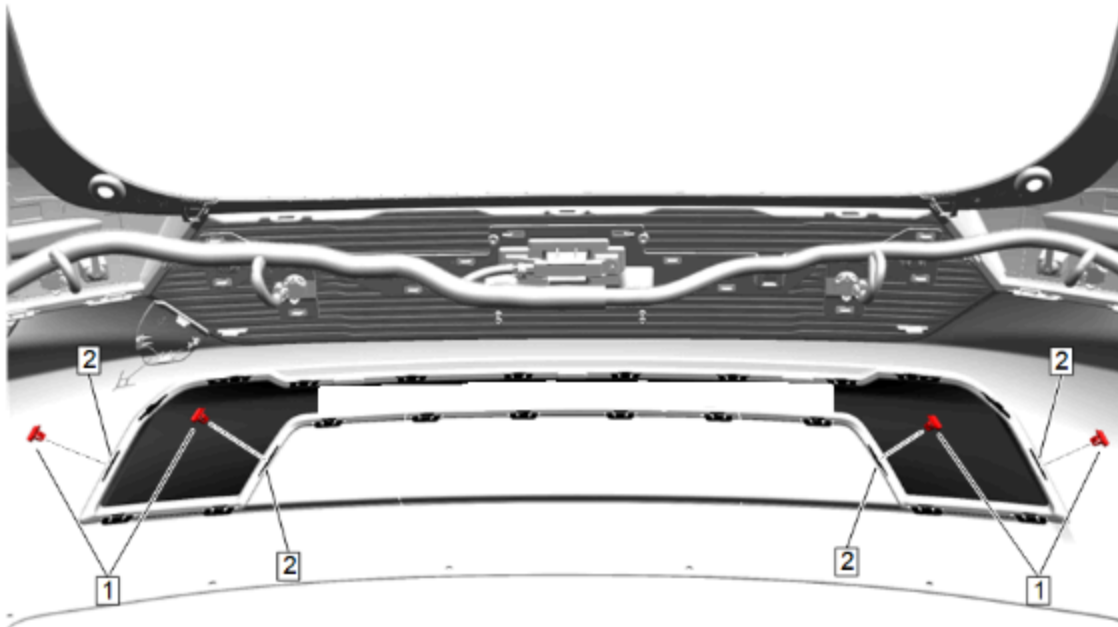
## Preliminary Procedures

### Warning:

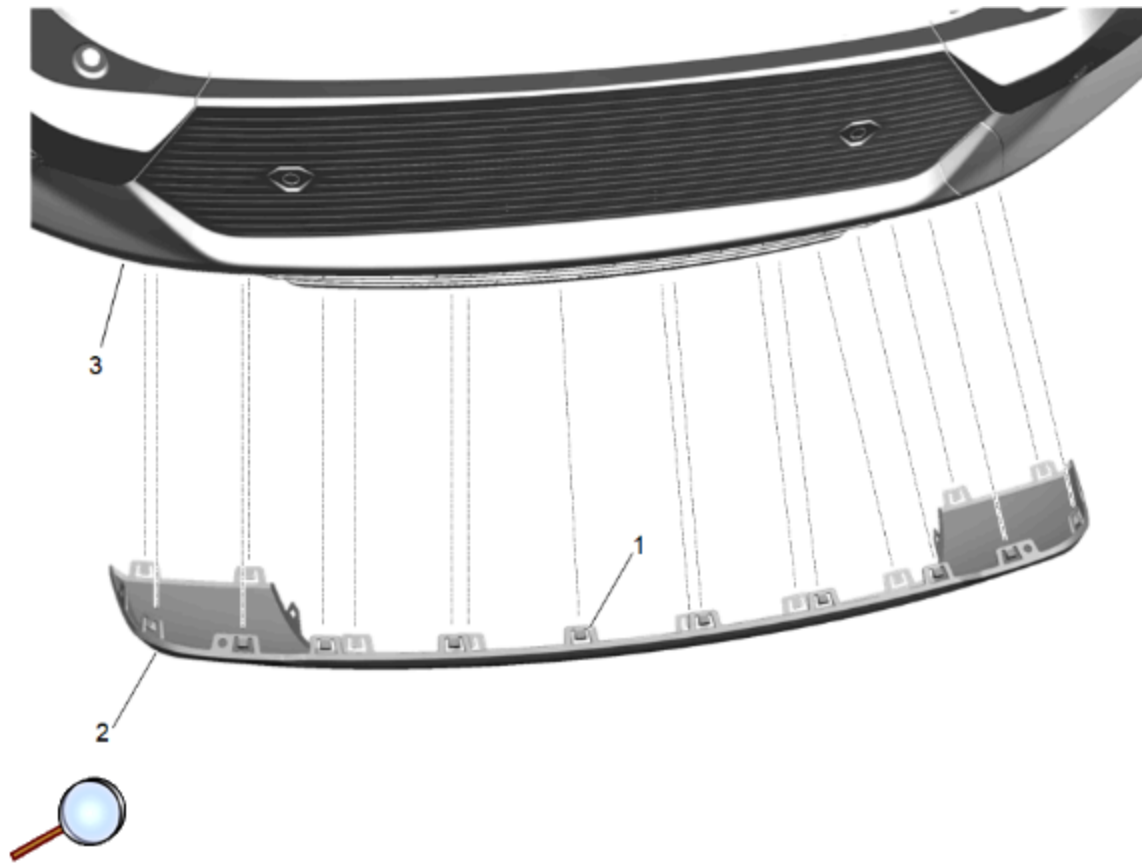
- Wear Safety glasses in order to avoid eye damage.
- In order to avoid being burned, do not service the vehicle while the exhaust system is still hot. Service the vehicle when the exhaust system is cool.

1. Remove the rear bumper fascia. Refer to [Rear Bumper Fascia Removal and Installation](#) in Vehicle Service Manual.
2. Carefully place the rear lower fascia assembly on a clean, stable work surface with interior facing up.

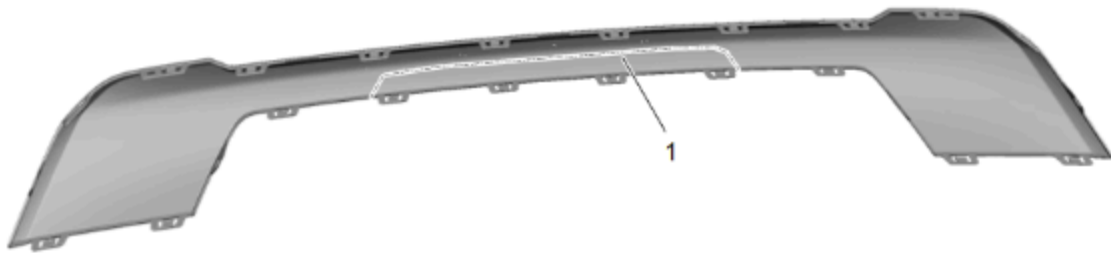
### LT Models with Rear Fascia Skid Plate



1. Remove the retaining clips (1) from the rear fascia skid plate (2).

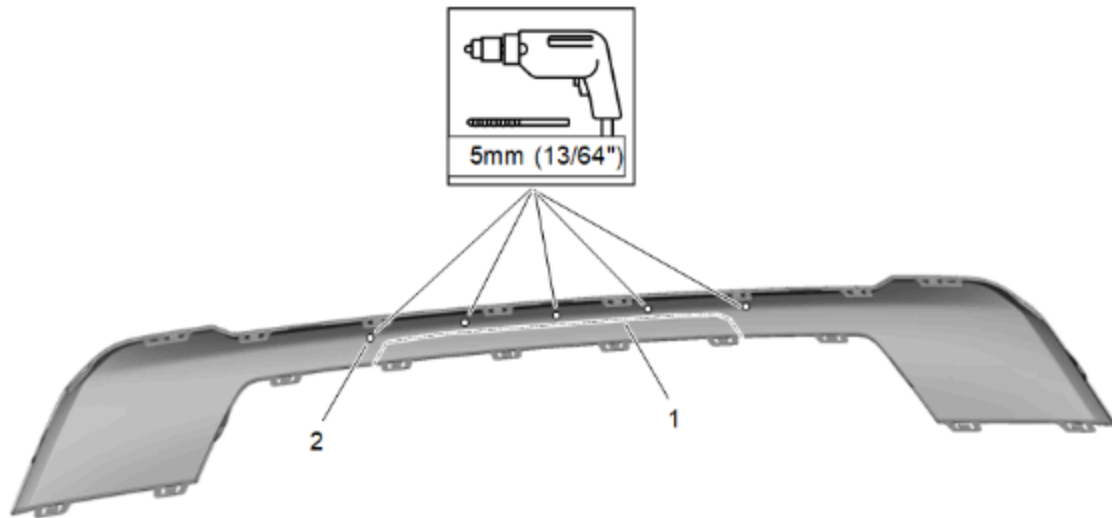


2. Disengage the retainers (1) and remove the rear fascia skid plate (2) from the rear fascia (3).



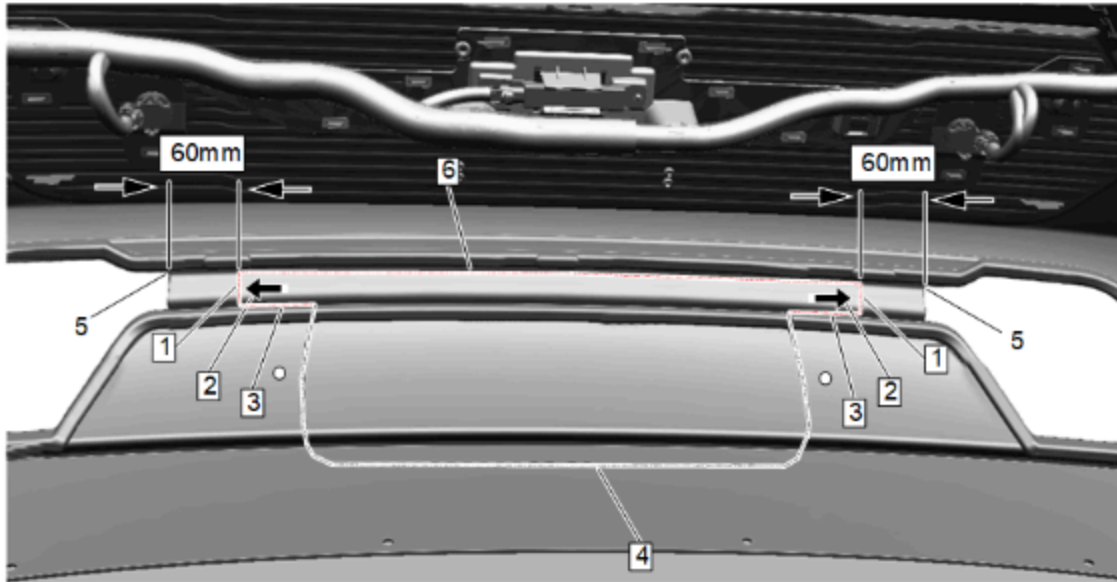
3. On the inside of the rear fascia skid plate, check to see if there is a scribed line (1) present in the location shown. If no scribed line is present, refer to bulletin (24-NA-156) Si document

6719198 before proceeding to the next step. If a scribe line (1) is present on the existing rear fascia skid plate, then proceed to the next step.



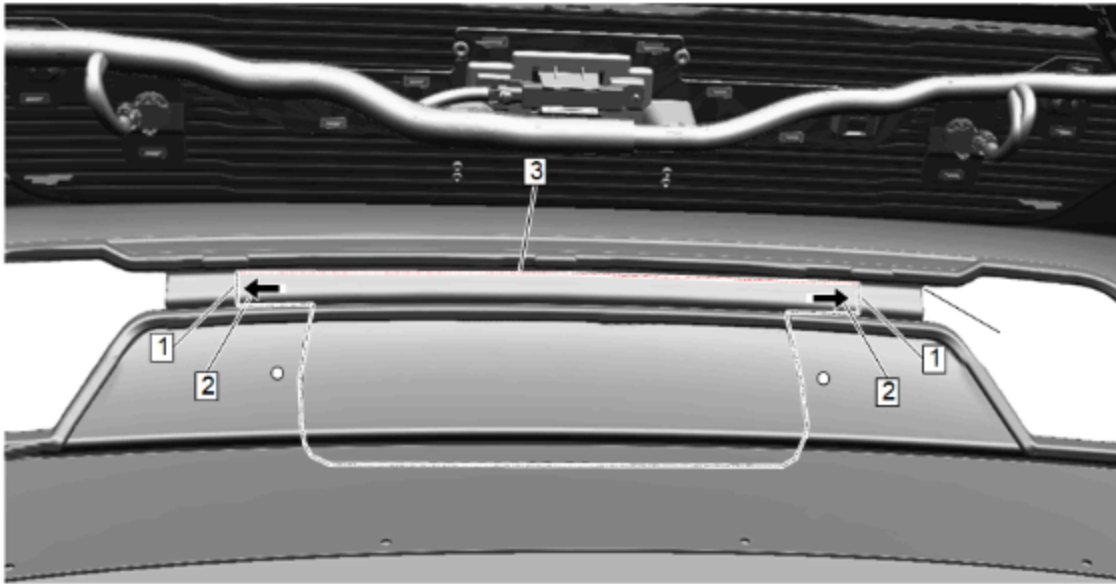
**Caution:** Always check the size and position of holes before drilling. Failing to do so may cause damage to the vehicle, misalignment of components or the inability to install the accessory.

4. Locate the scribe line (1) and trace the line with a marker or grease pencil to be used as a visual aid. Cut should not exceed outer line.  
Locate the 5 drill marks (2) on the rear fascia skid plate. Drill holes using a 5mm (13/64") drill bit.
5. Using a pneumatic reciprocating cutting tool, cut along lines on the rear fascia and lower valance and remove section. Be careful to cut as close as possible to the scribe line (no more than 2mm outside the line).

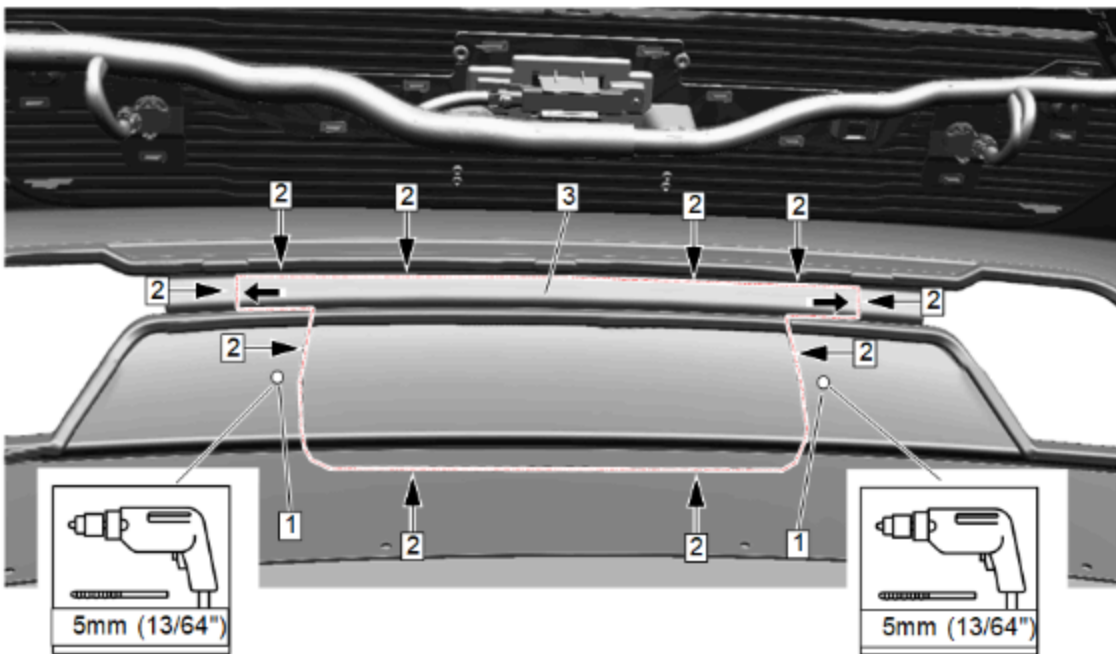


**Note:** If an arrow (2) and scribed line (1), (3) is present on the rear fascia, then proceed to the step 7.

6. On the inside of the rear fascia, check to see if there is an arrow (2) and a scribed line (1) present in the location shown. If no scribed line and arrow is present, then measure 60mm from the end (5) towards the inside of the rear fascia and scribe a line (1) on each end as shown. Scribe a line (6) along the top of the bridged area and connect to the vertical scribed lines (1). Scribe a line (3) on the lower bridged area from the vertical scribed lines (1) and connect to the existing scribe line (4). Proceed to step 8.



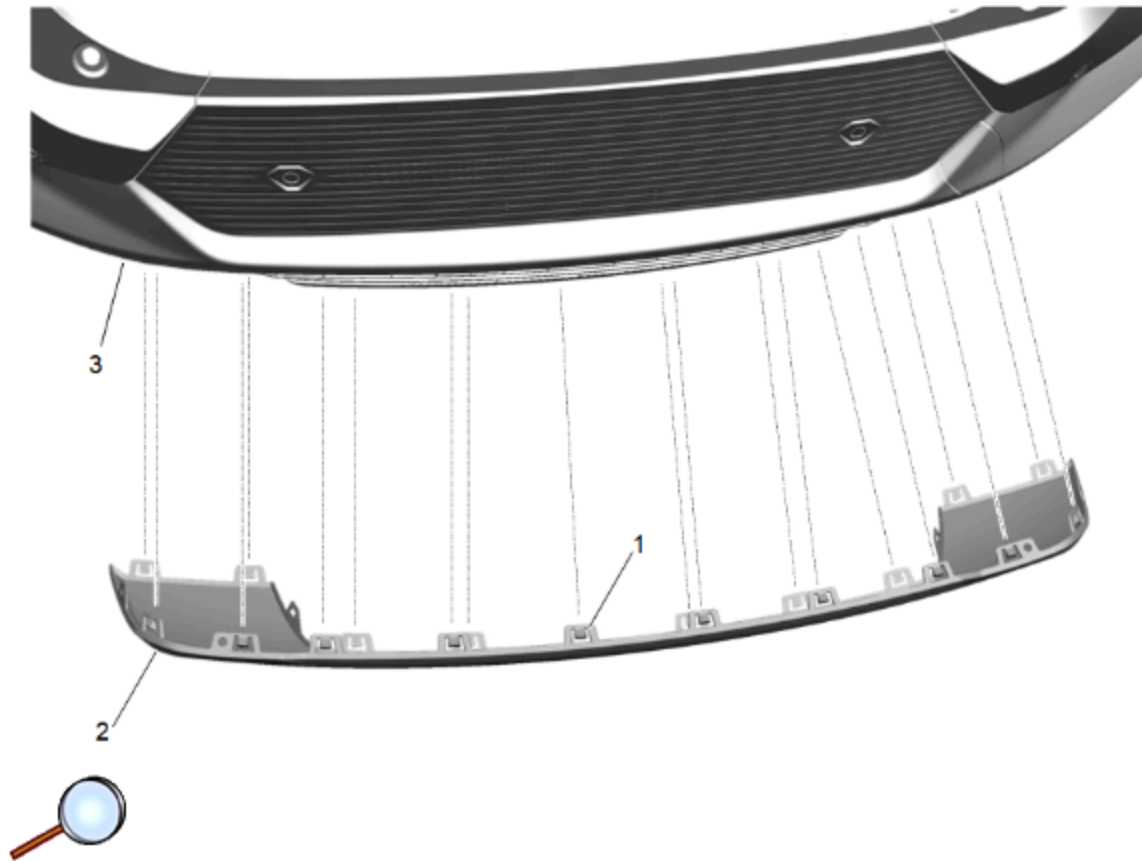
7. On the inside of the rear fascia, check to see if there is an arrow (2) and a scribed line (1) present in the location shown. If a scribed line and arrow is present, then scribe a line (3) along the top of the bridged area and connect to the vertical scribed lines (1). Proceed to step 8.



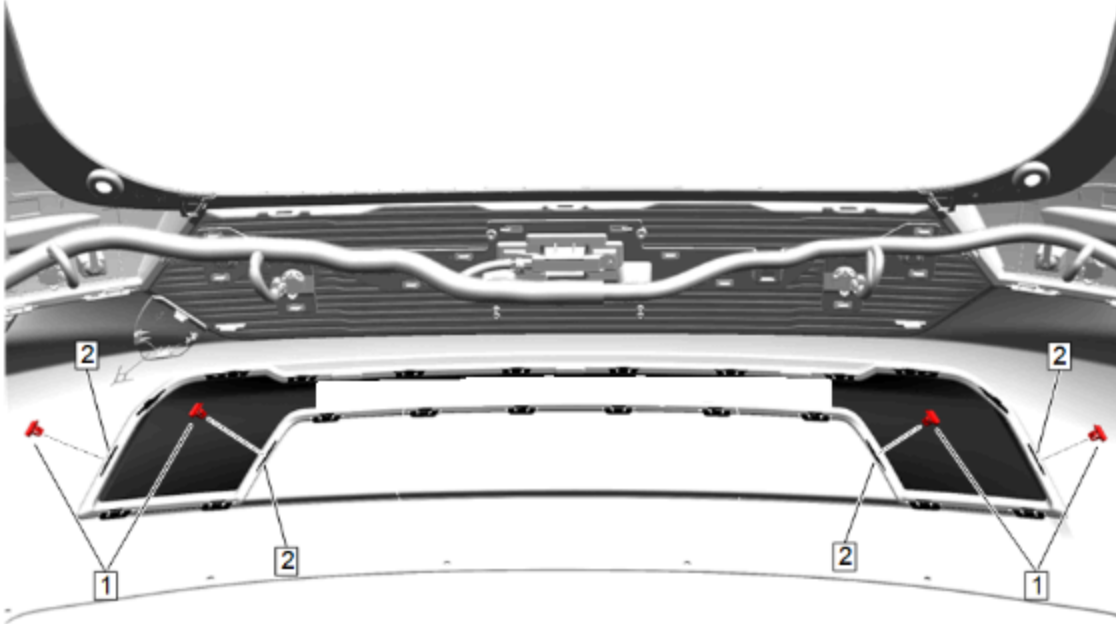
8. Locate the scribe line (2) and trace the line with a marker or grease pencil to be used as a visual aid. Cut should not exceed outer line.

**Caution:** Always check the size and position of holes before drilling. Failing to do so may cause damage to the vehicle, misalignment of components or the inability to install the accessory.

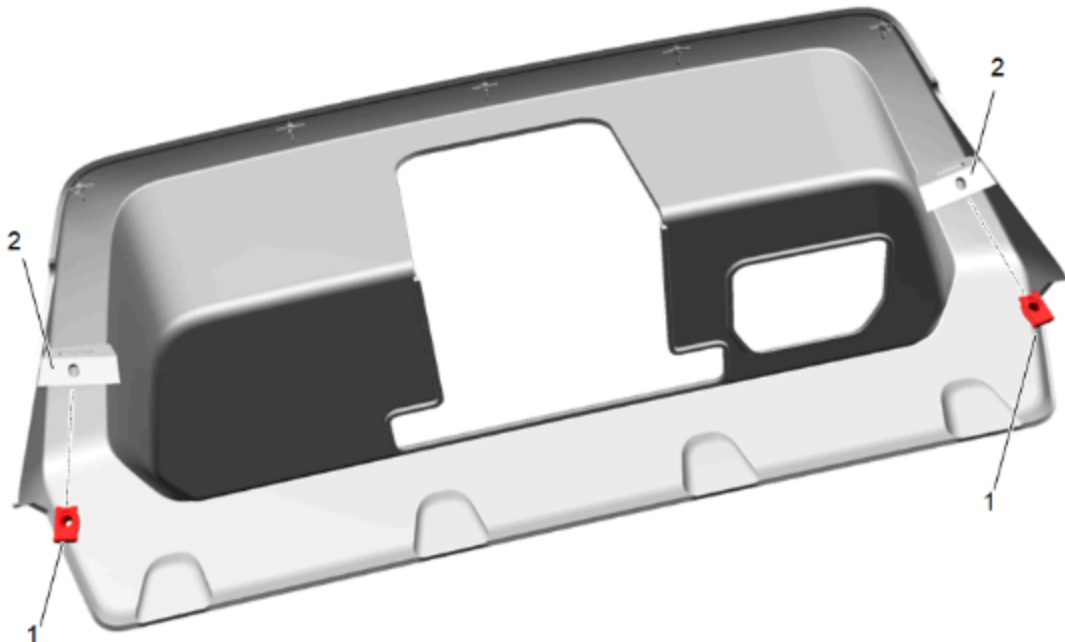
9. Locate the 2 drill marks (1) on the rear fascia. Drill holes using a 5mm (13/64") drill bit.
10. Using a pneumatic reciprocating cutting tool, cut along lines (2) shown in red on the rear fascia and remove section (3). Be careful to cut as close as possible to the scribe line (no more than 2mm outside the line).



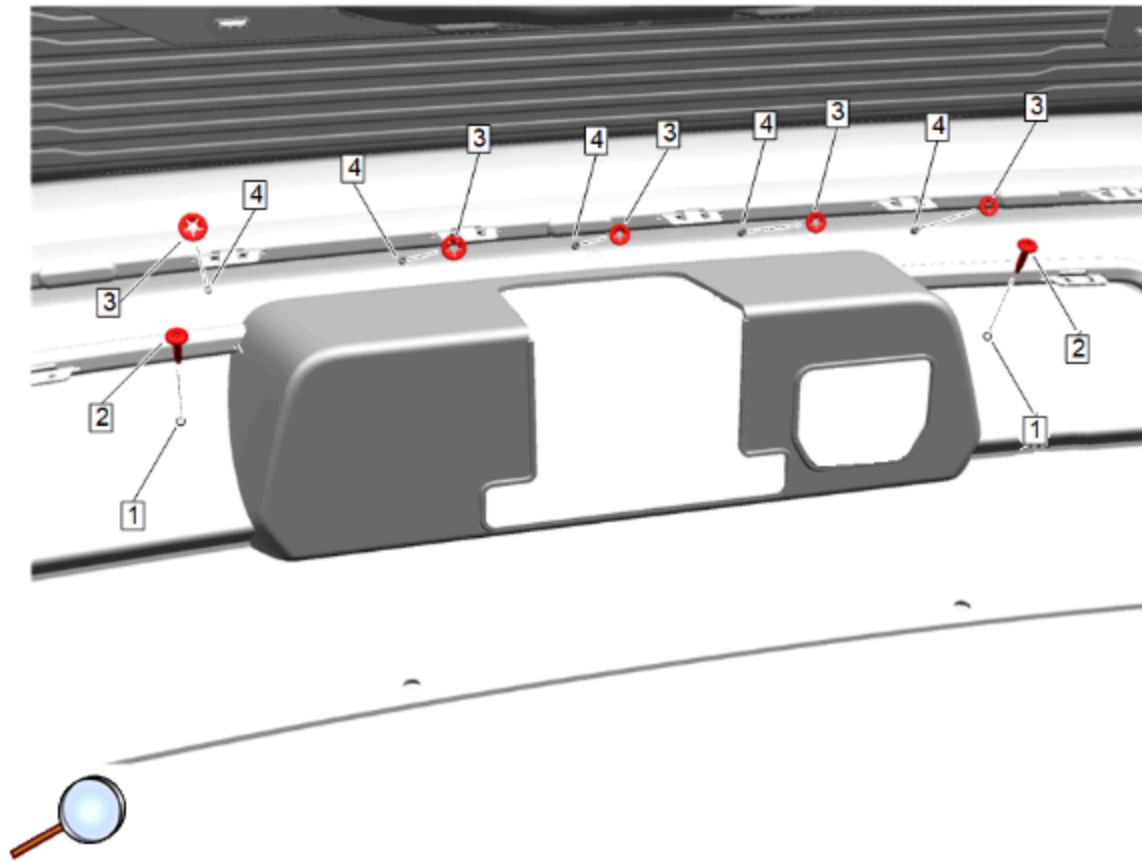
11. Install the rear fascia skid plate (2) to the rear fascia (3) and engage the retainers (1).



12. Install the retaining clips (1) from the rear fascia skid plate (2).



13. Install the U-nuts (1) to the hitch bezel tabs (2).

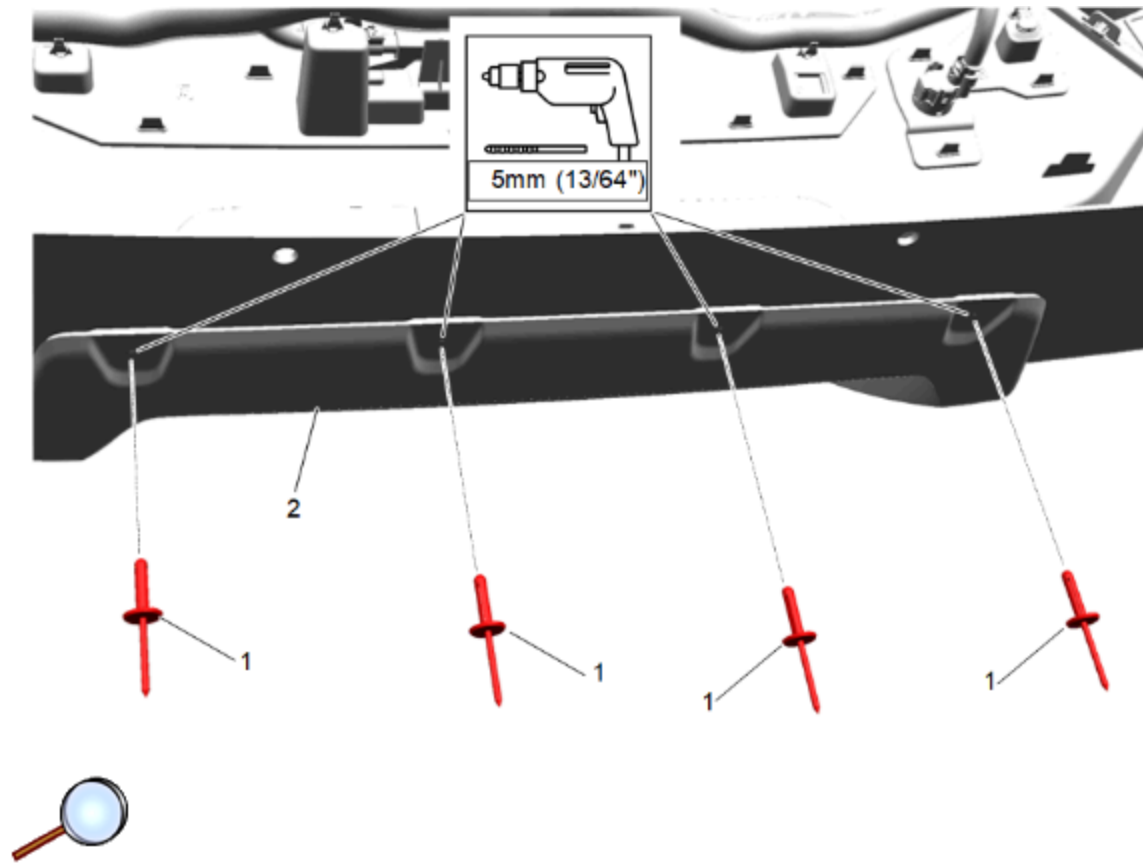


**Caution:** Use the correct fastener in the correct location. Replacement fasteners must be the correct part number for that application. Fasteners requiring replacement or fasteners requiring the use of thread locking compound or sealant are identified in the service procedure. Do not use paints, lubricants, or corrosion inhibitors on fasteners or fastener joint surfaces unless specified. These coatings affect fastener torque and joint clamping force and may damage the fastener. Use the correct tightening sequence and specifications when installing fasteners in order to avoid damage to parts and systems.

14. Position the hitch bezel onto the rear fascia using the posts (4) as locators to the previously drilled holes in the fascia.
15. Install the supplied screws (2) to the previously drilled holes (1) and tighten to U-nut.

**Note:** Make sure the stamp nuts sit flush to the surface to ensure a tight fit to the fascia.

16. Secure the top edge of bezel with the stamp nuts (3) using a ¼" deep wall socket head to push in.



**Note:** Prior to drilling, make sure there is no gap between the bezel and rear fascia. Clamping in this area will aid in keeping alignment while drilling.

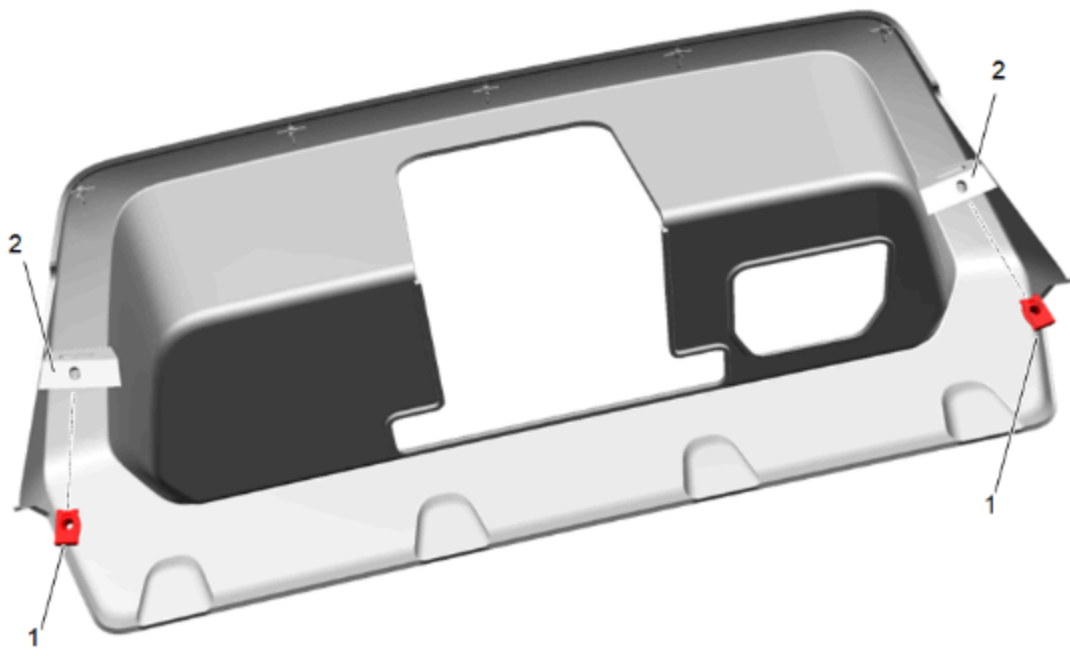
17. On the outboard side, drill at the dimples in the hitch bezel using a 5mm (13/64") drill bit.
18. Install the rivets (1) to the previously drilled holes, securing the bezel (2) to the rear fascia.
19. Install the trailer hitch. Refer to [Trailer Hitch Platform Package Installation](#).
20. Install the rear bumper fascia. Refer to [Rear Bumper Fascia Removal and Installation](#) in Vehicle Service Manual.

#### **LT Base Models without Rear Fascia Skid Plate**

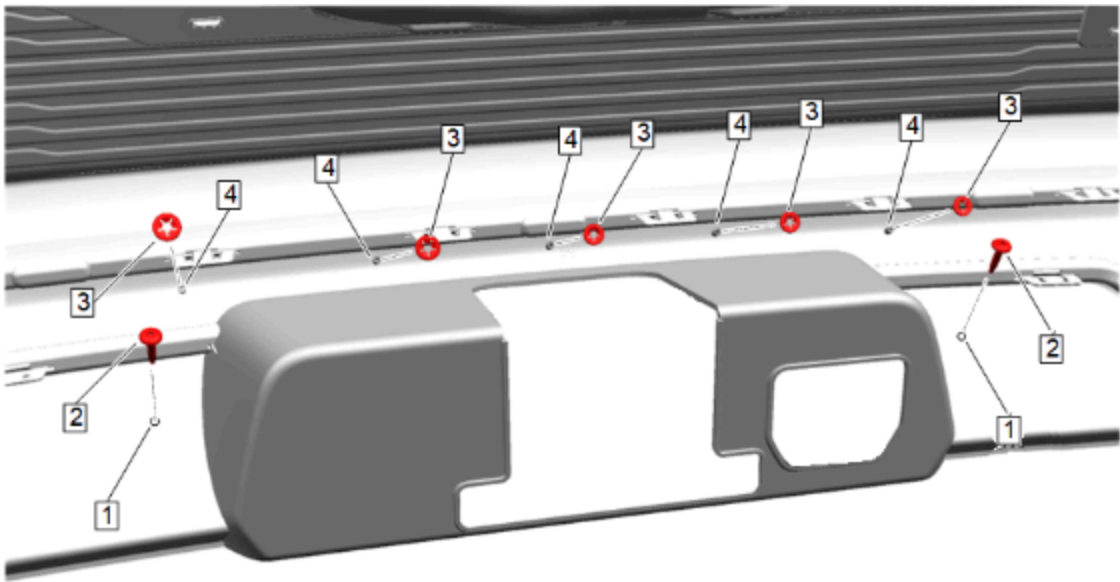


**Caution:** Always check the size and position of holes before drilling. Failing to do so may cause damage to the vehicle, misalignment of components or the inability to install the accessory.

1. Locate the scribe line (1) and trace the line with a marker or grease pencil to be used as a visual aid. Cut should not exceed outer line.  
Locate the 5 drill marks (2) on the rear fascia. Drill holes using a 5mm (13/64") drill bit.
2. Using a pneumatic reciprocating cutting tool, cut along lines on the rear fascia and lower valance and remove section. Be careful to cut as close as possible to the scribe line (no more than 2mm outside the line).



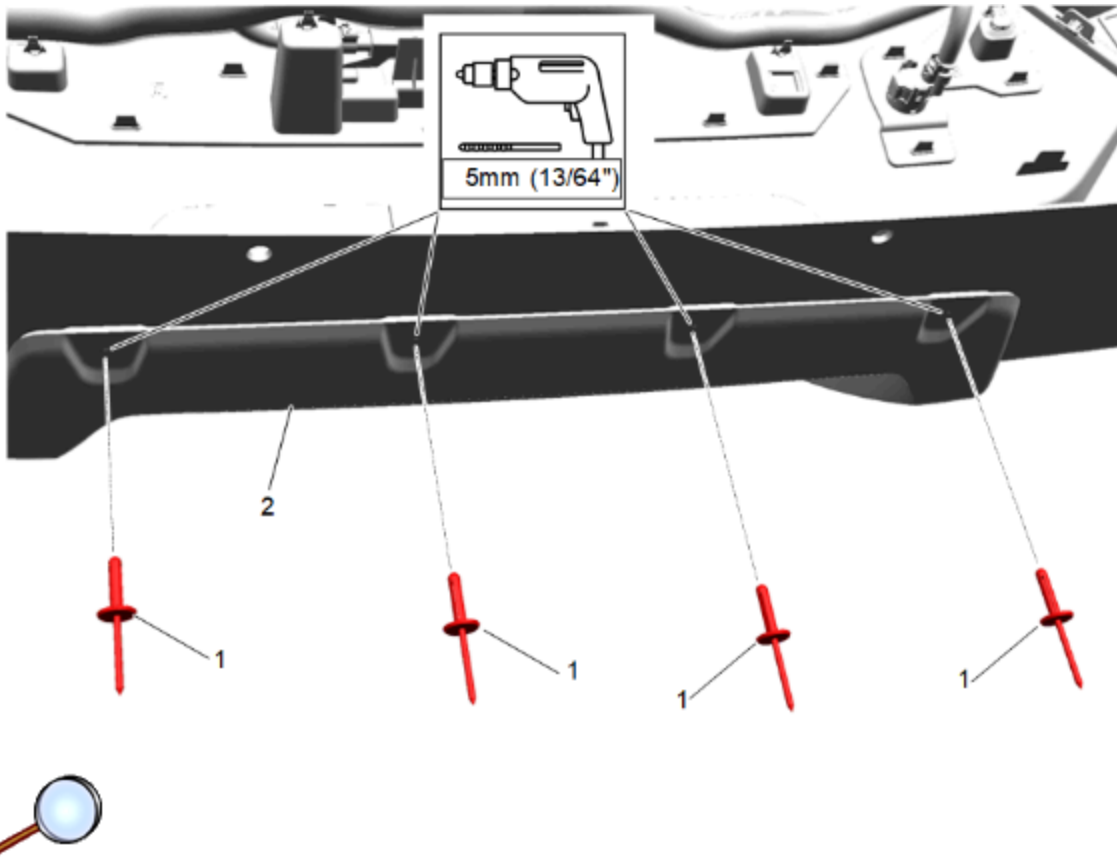
3. Install the U-nuts (1) to the hitch bezel tabs (2).



**Caution:** Use the correct fastener in the correct location. Replacement fasteners must be the correct part number for that application. Fasteners requiring replacement or

fasteners requiring the use of thread locking compound or sealant are identified in the service procedure. Do not use paints, lubricants, or corrosion inhibitors on fasteners or fastener joint surfaces unless specified. These coatings affect fastener torque and joint clamping force and may damage the fastener. Use the correct tightening sequence and specifications when installing fasteners in order to avoid damage to parts and systems.

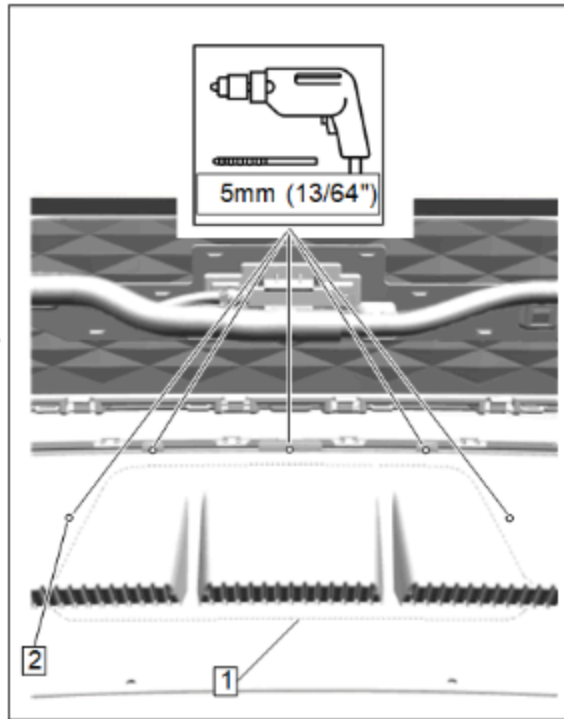
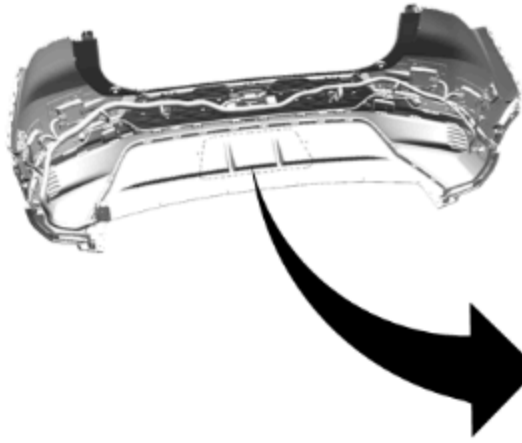
4. Position the hitch bezel onto the rear fascia using the posts (4) as locators to the previously drilled holes in the fascia.
5. Install the supplied screws (2) to the previously drilled holes (1) and tighten to U-nut.  
**Note:** Make sure the stamp nuts sit flush to the surface to ensure a tight fit to the fascia.
6. Secure the top edge of bezel with the stamp nuts (3) using a ¼" deep wall socket head to push in.



**Note:** Prior to drilling, make sure there is no gap between the bezel and rear fascia. Clamping in this area will aid in keeping alignment while drilling.

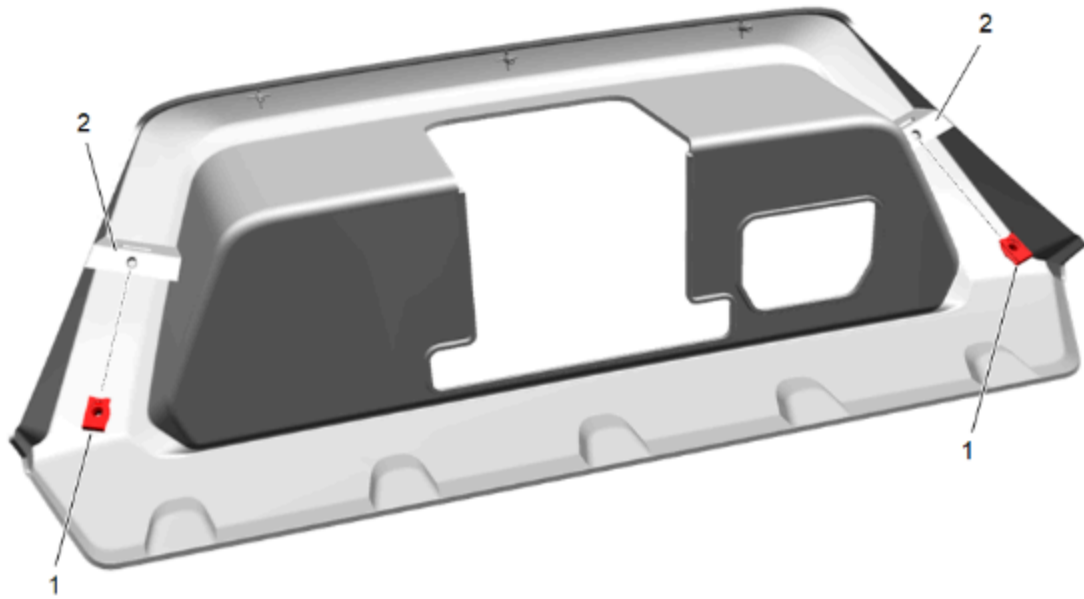
7. On the outboard side, drill at the dimples in the hitch bezel using a 5mm (13/64") drill bit.
8. Install the rivets (1) to the previously drilled holes, securing the bezel (2) to the rear fascia.
9. Install the trailer hitch. Refer to [Trailer Hitch Platform Package Installation](#).
10. Install the rear bumper fascia. Refer to [Rear Bumper Fascia Removal and Installation](#) in Vehicle Service Manual.

## RS Models

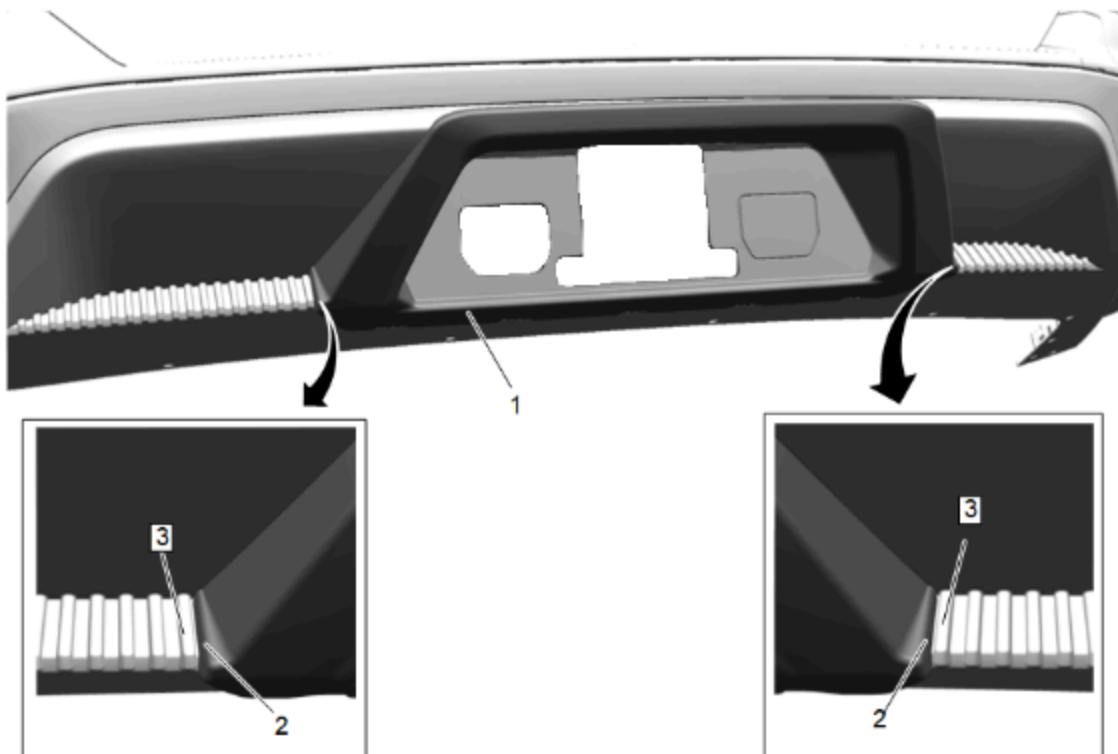


**Caution:** Always check the size and position of holes before drilling. Failing to do so may cause damage to the vehicle, misalignment of components or the inability to install the accessory.

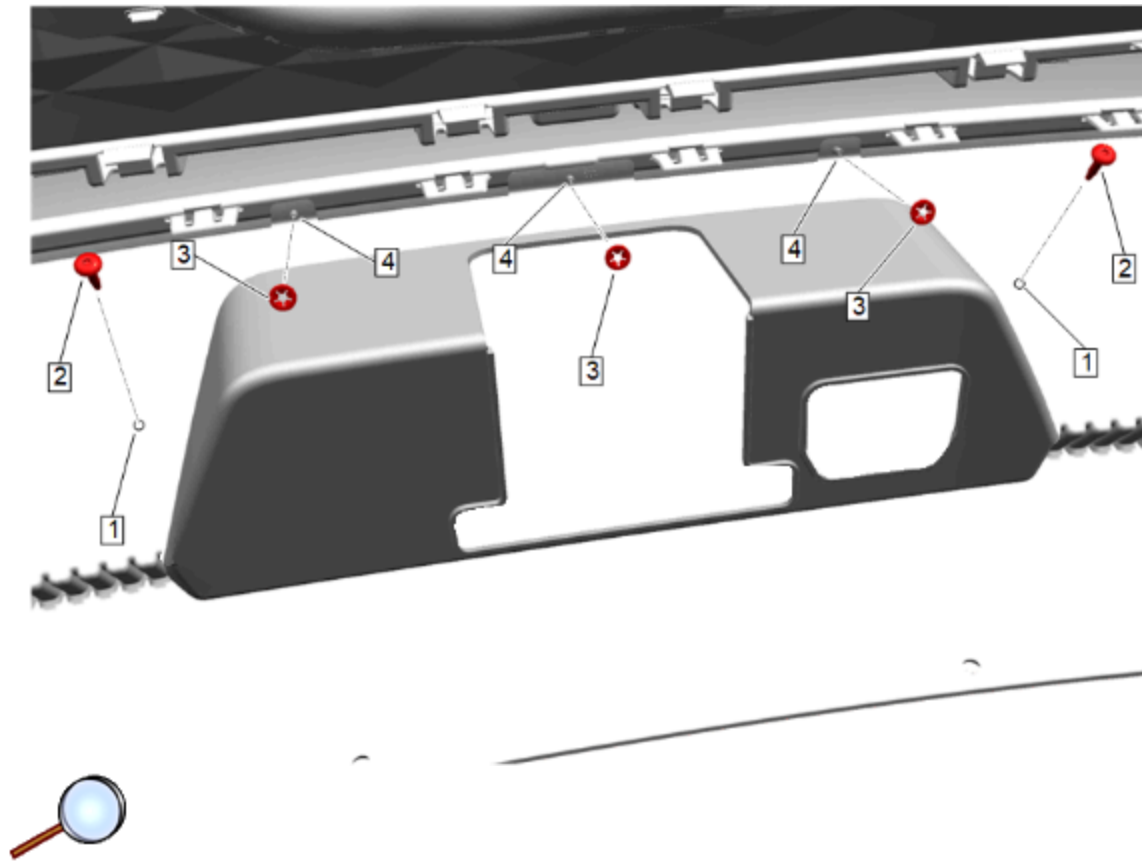
1. Locate the scribe line (1) and trace the line with a marker or grease pencil to be used as a visual aid. Cut should not exceed outer line.  
Locate the 5 drill marks (2) on the rear fascia and lower valance. Drill holes using a 5mm (13/64") drill bit.
2. Using a pneumatic reciprocating cutting tool, cut along lines on the rear fascia and lower valance and remove section. Be careful to cut as close as possible to the scribe line (no more than 2mm outside the line).



3. Install the U-nuts (1) to the hitch bezel tabs (2).



4. Position the hitch bezel (1) to the rear fascia making sure each end of the bezel (2) sits between the ribbed edges (3) of the rear fascia.

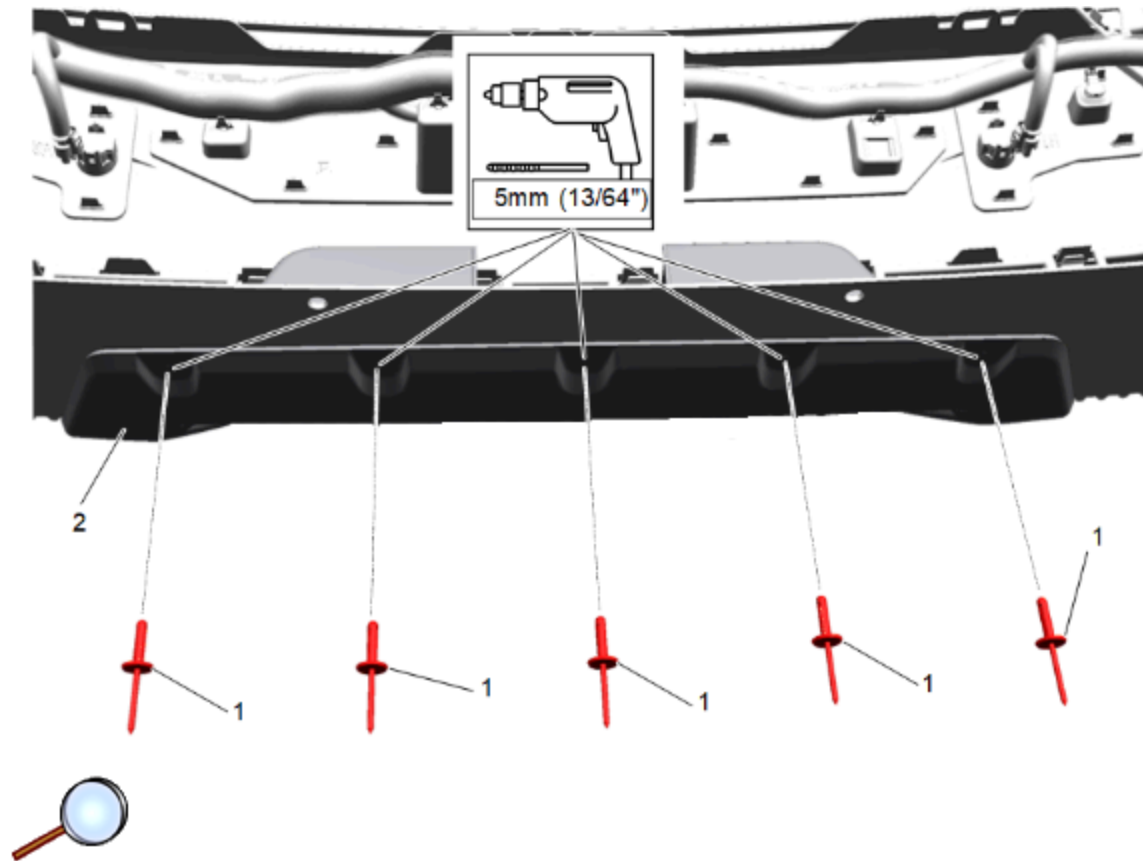


**Caution:** Use the correct fastener in the correct location. Replacement fasteners must be the correct part number for that application. Fasteners requiring replacement or fasteners requiring the use of thread locking compound or sealant are identified in the service procedure. Do not use paints, lubricants, or corrosion inhibitors on fasteners or fastener joint surfaces unless specified. These coatings affect fastener torque and joint clamping force and may damage the fastener. Use the correct tightening sequence and specifications when installing fasteners in order to avoid damage to parts and systems.

5. Continue to position the hitch bezel onto the rear fascia using the posts (4) as locators to the previously drilled holes in the fascia.
6. Install the supplied screws (2) to the previously drilled holes (1) and tighten to U-nut.

**Note:** Make sure the stamp nuts sit flush to the surface to ensure a tight fit to the fascia.

7. Secure the top edge of bezel with the stamp nuts (3) using a ¼" deep wall socket head to push in.



**Note:** Prior to drilling, make sure there is no gap between the bezel and rear fascia. Clamping in this area will aid in keeping alignment while drilling.

8. On the outboard side, drill at the dimples in the hitch bezel using a 5mm (13/64") drill bit.
9. Install the rivets (1) to the previously drilled holes, securing the bezel (2) to the rear fascia.
10. Install the trailer hitch. Refer to [Trailer Hitch Platform Package Installation](#).
11. Install the rear bumper fascia. Refer to [Rear Bumper Fascia Removal and Installation](#) in Vehicle Service Manual.