

Installation Instructions Part Number

85576475

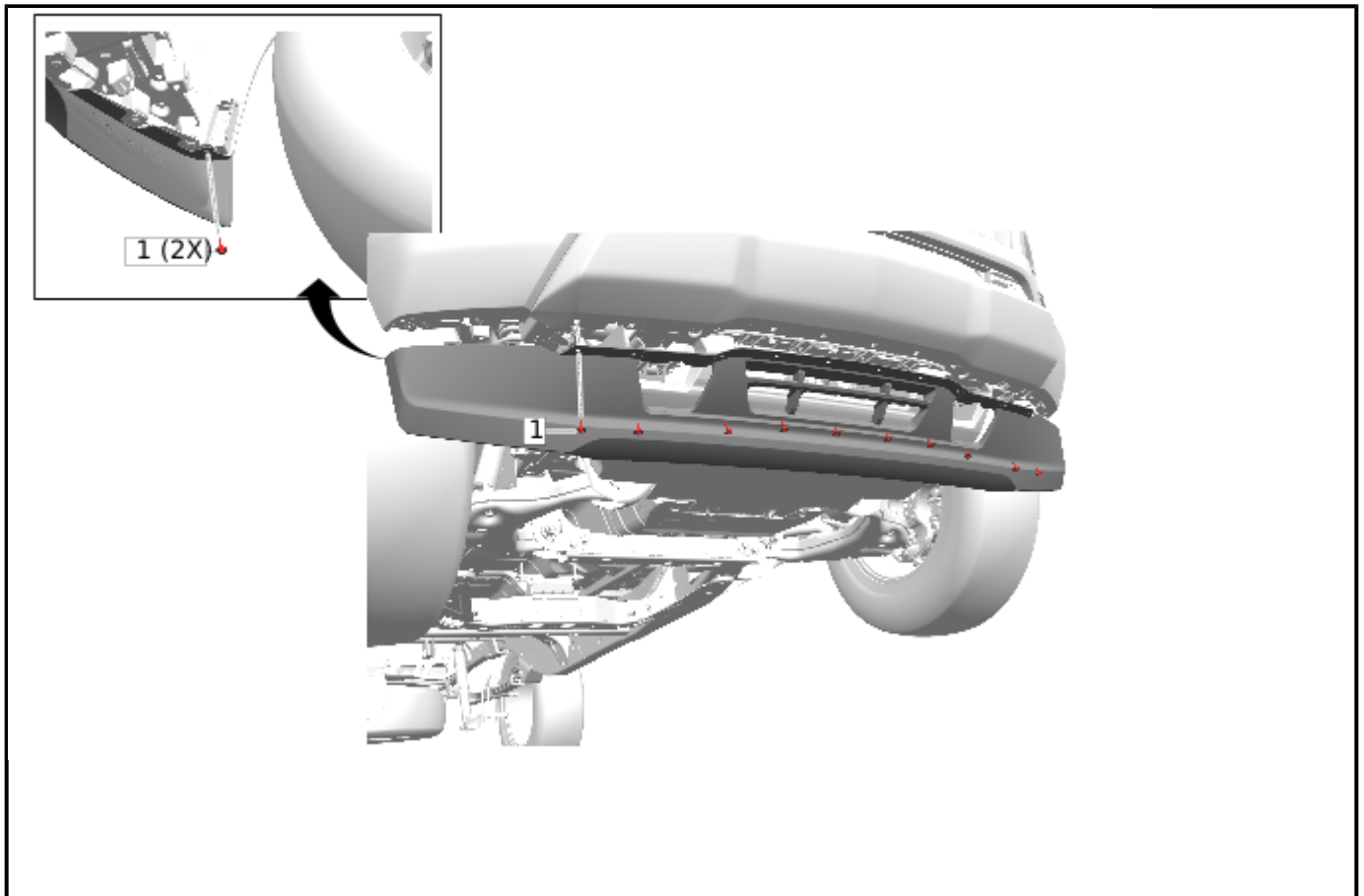
Kit Contents

Qty	Description
1	Front Underbody Skid Shield
1	Front Underbody Skid Shield Bracket
6	M8x1.25x23.5 Bolt
3	M8x1.25x37.05 Bolt
2	M8x1.25x22.05 Bolt
9	M8x1.25 U-Nut
1	Installation Instructions

Procedure

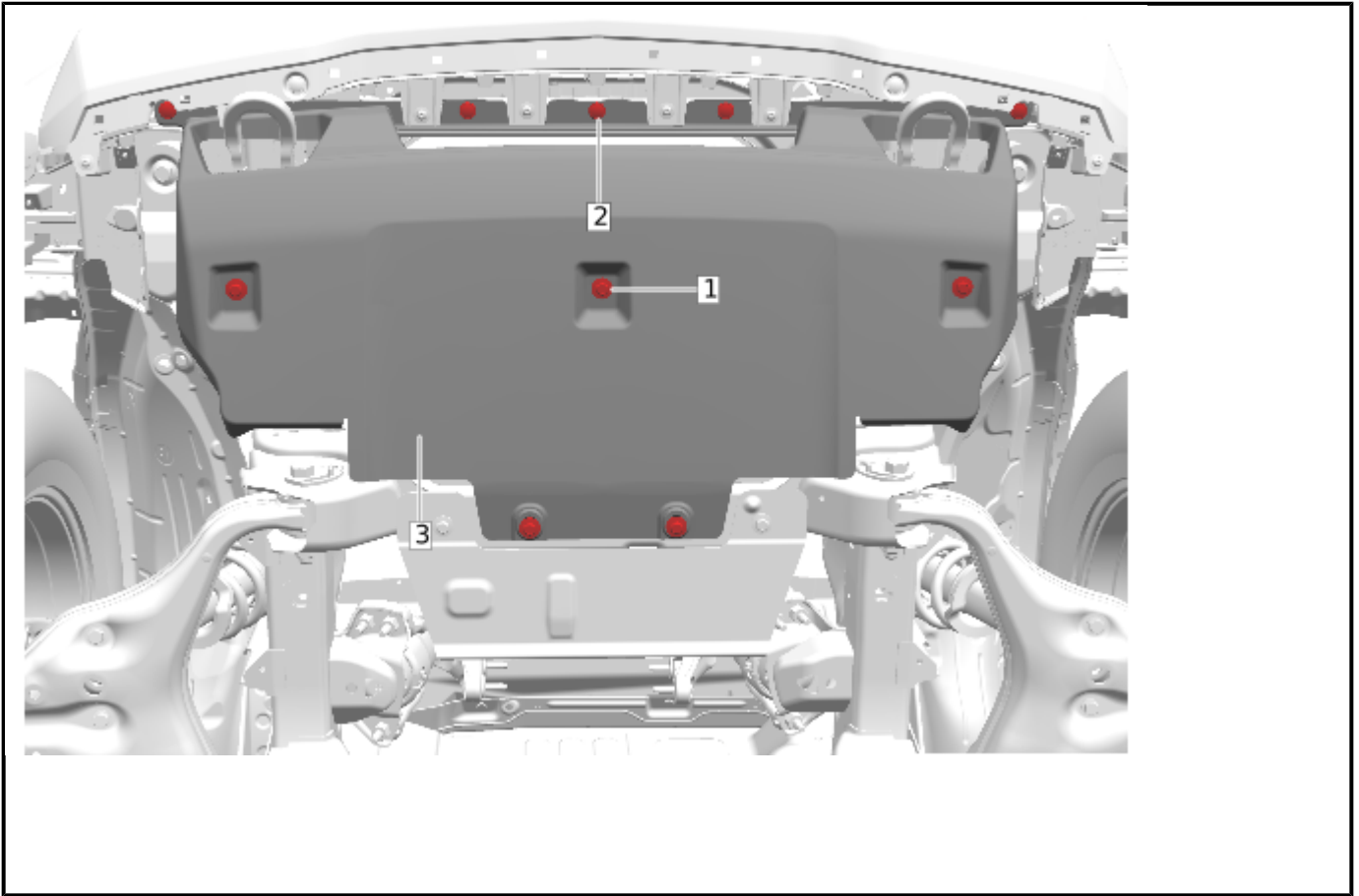
Underbody Skid Shield

1. Raise and support the vehicle. Refer to [Lifting and Jacking the Vehicle](#) in Vehicle Service Manual.



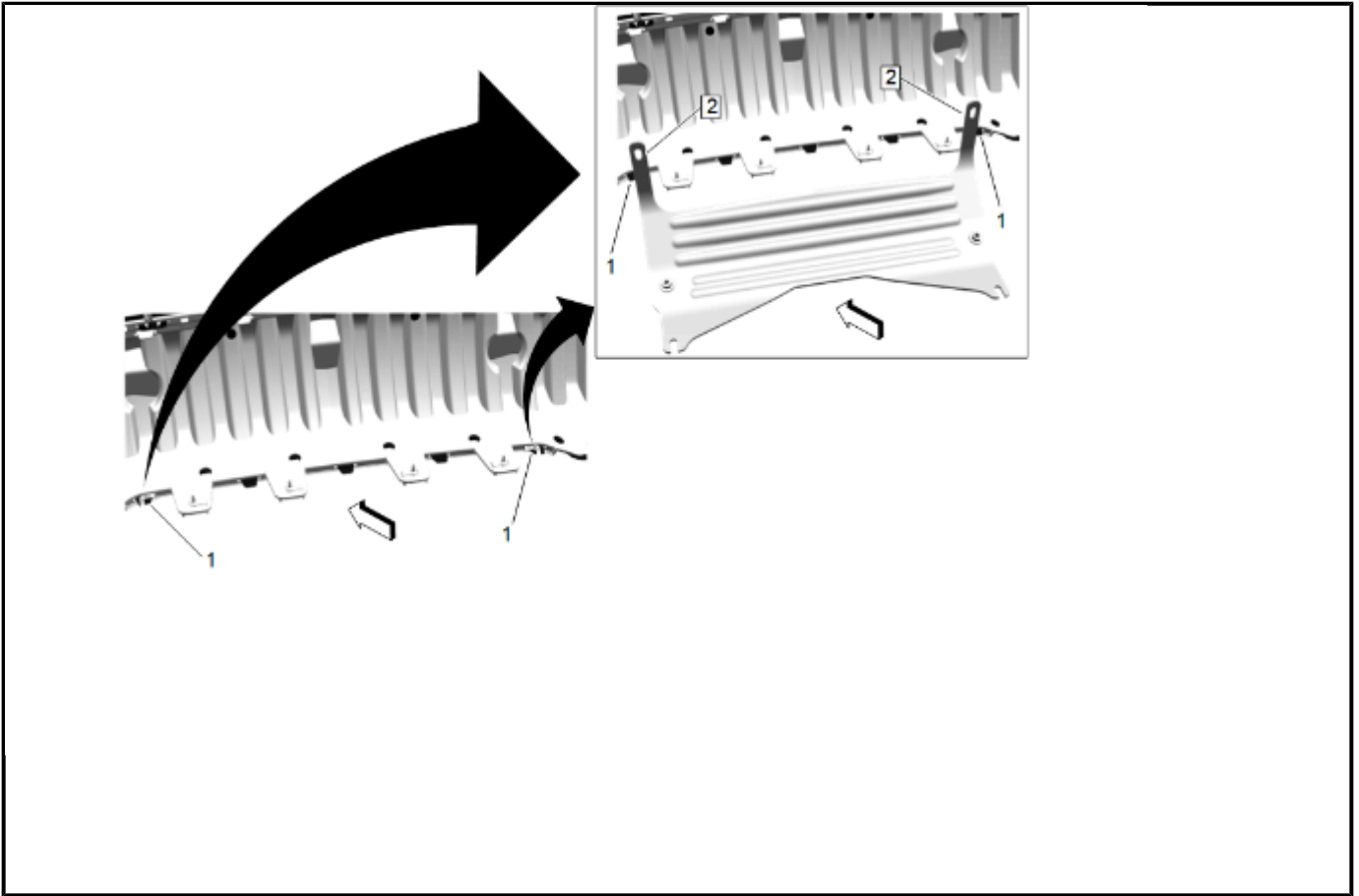
6089306

2. Remove the twelve front air deflector fasteners (1) and the front air deflector. **Note: Front air deflector and fasteners will not be reused upon installation of skid plate package.**



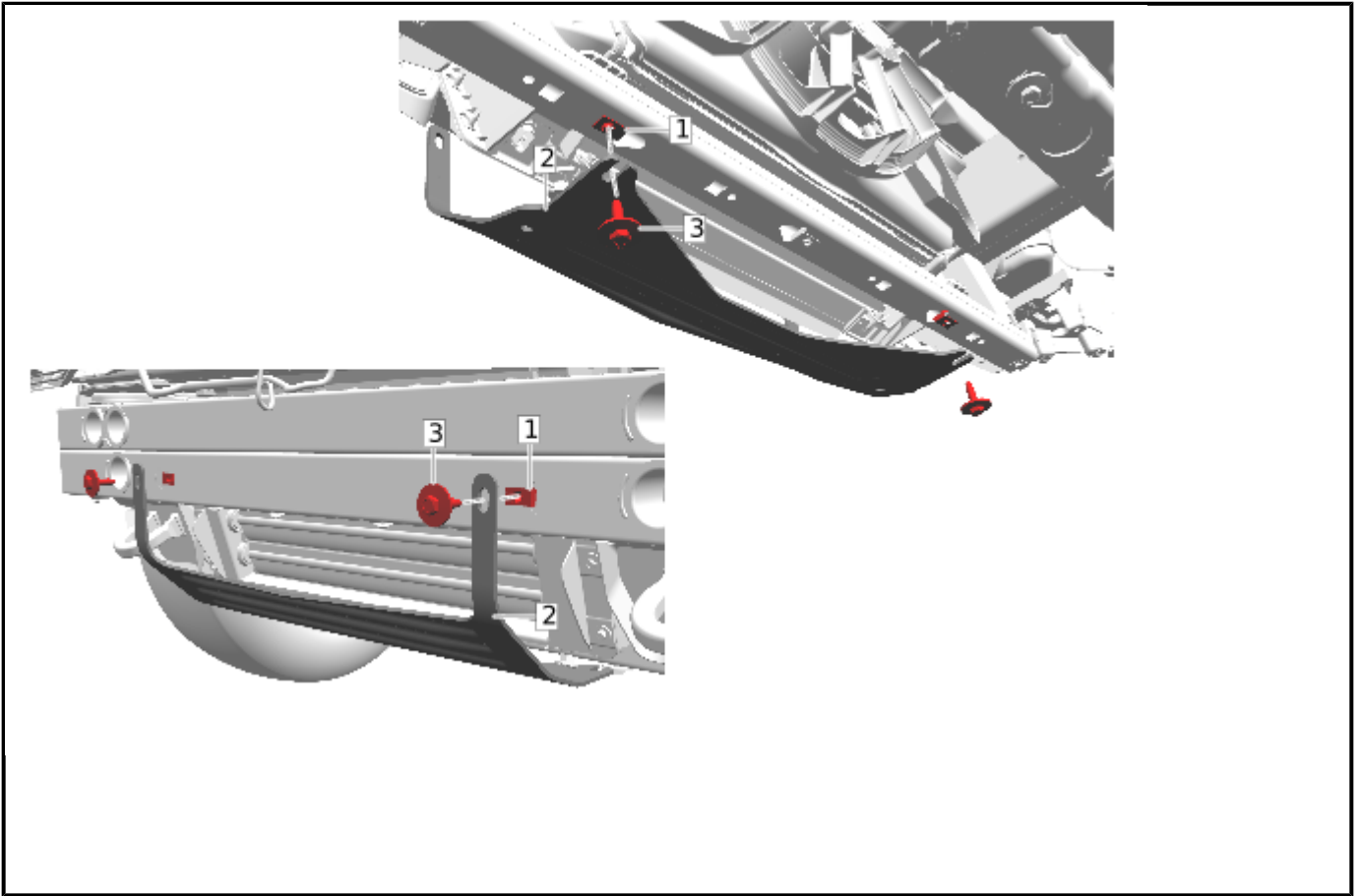
6089307

3. Remove the five plastic push pin fasteners (2) located along the front of the underbody splash shield (3).
4. Remove the five bolts (1) securing the underbody splash shield and remove the shield.
5. Remove the front bumper fascia. Refer to [Front Bumper Fascia Removal and Installation](#) in Vehicle Service Manual.



6328217

6. Cut/trim the outer tabs (1) on the front bumper fascia enough to make clearance for the accessory skid shield bracket (2).



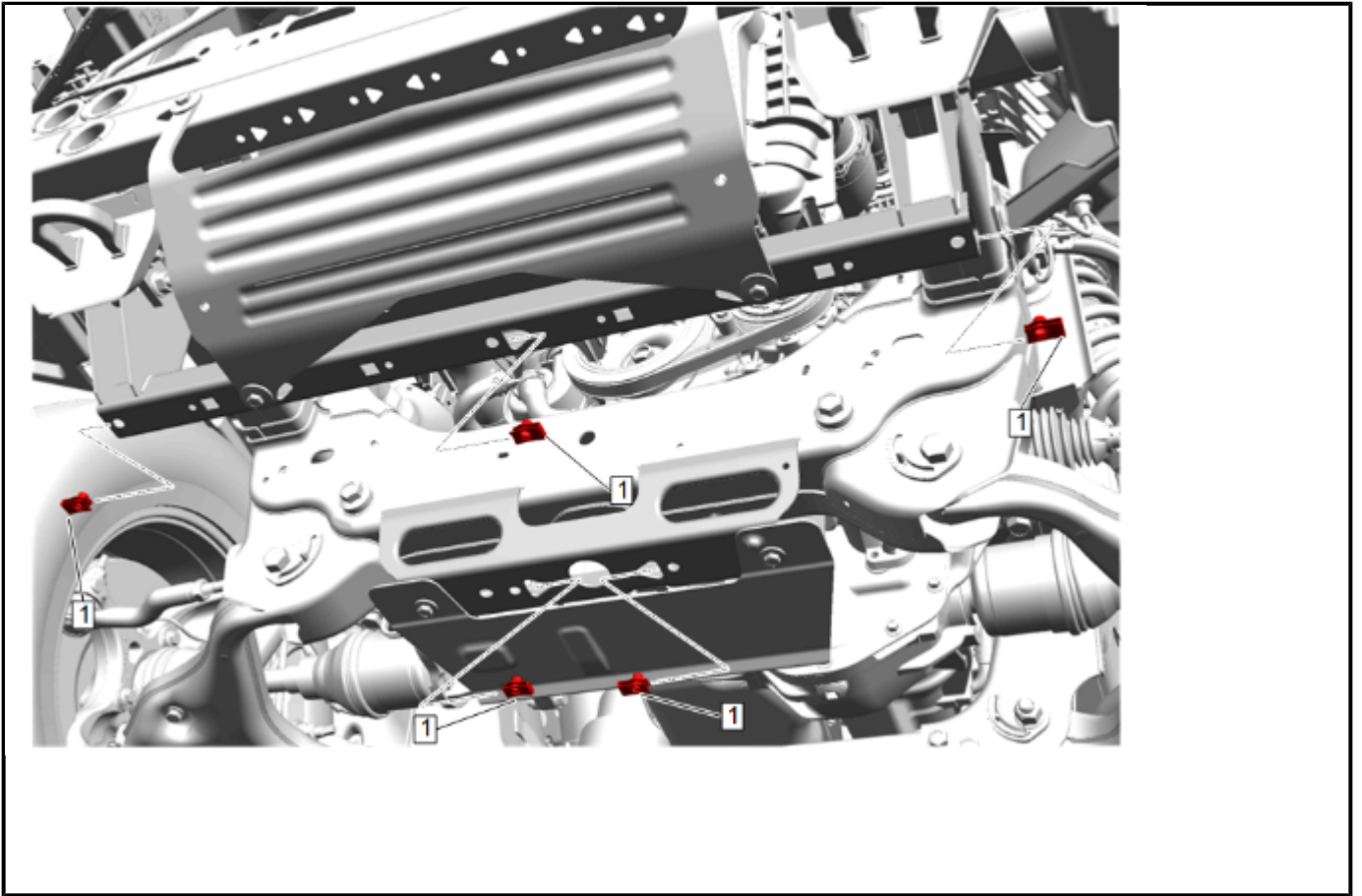
6089308

Caution: Use the correct fastener in the correct location. Replacement fasteners must be the correct part number for that application. Fasteners requiring replacement or fasteners requiring the use of thread locking compound or sealant are identified in the service procedure. Do not use paints, lubricants, or corrosion inhibitors on fasteners or fastener joint surfaces unless specified. These coatings affect fastener torque and joint clamping force and may damage the fastener. Use the correct tightening sequence and specifications when installing fasteners in order to avoid damage to parts and systems.

7. Install four supplied U-Nuts (1) to the locations shown.
8. Position the accessory skid shield bracket (2) and install four supplied **M8x1.25x23.5** bolts (3).

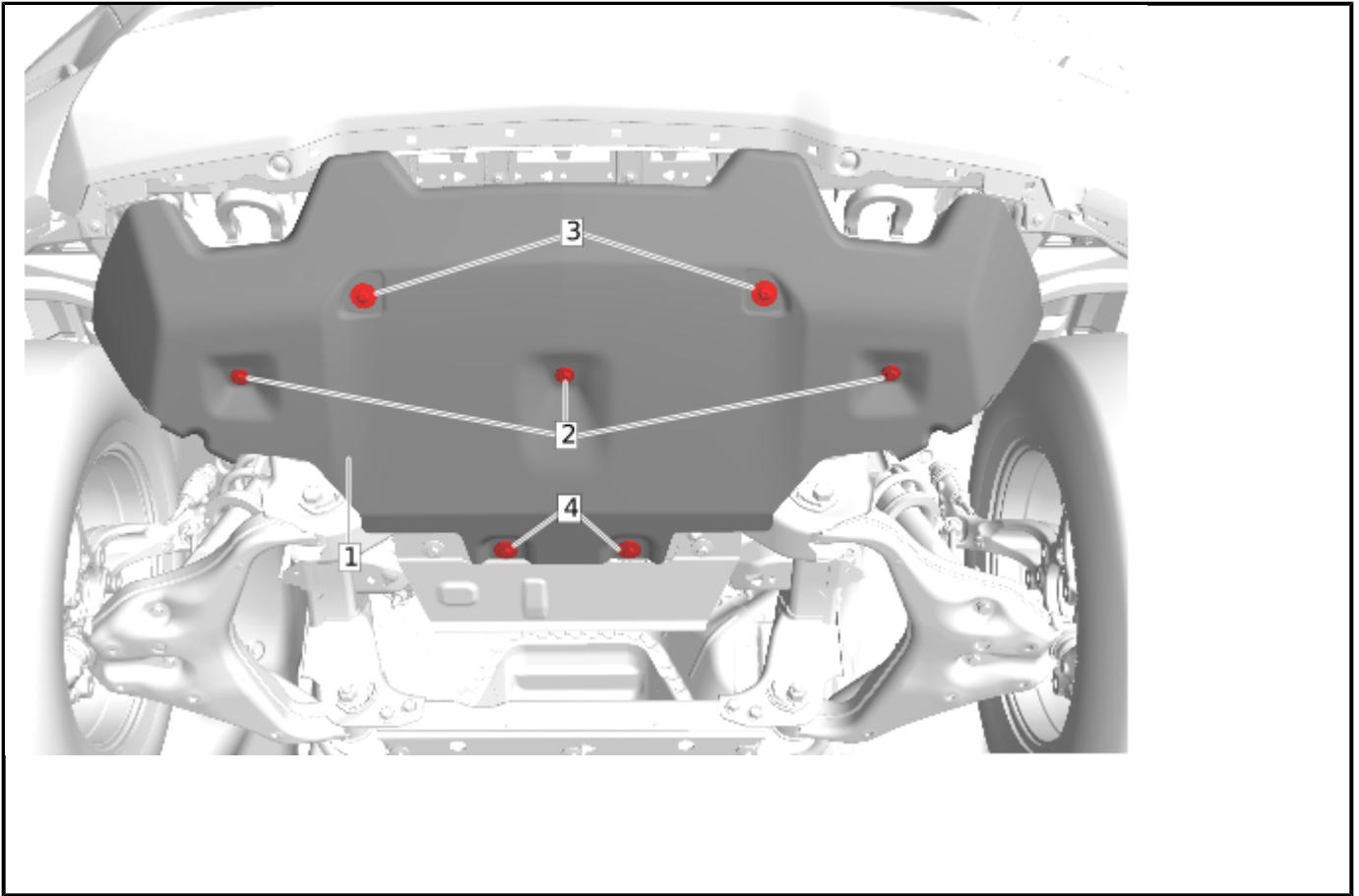
Tighten<!--Action Verb-->

to **22 N•m (16 lb ft)**.



6288603

9. Install five supplied U-nuts (1) to the locations shown.



6089310

10. Install the underbody skid shield (1) to the vehicle.
 - 10.1. Install supplied **M8x1.25x37.05** bolts (2) at location shown.
Tighten<!--Action Verb-->
to **22 N•m (16 lb ft)**.
 - 10.3. Install supplied **M8x1.25x22.05** bolts (3) at location shown.
Tighten<!--Action Verb-->
to **22 N•m (16 lb ft)**.
 - 10.5. Install supplied **M8x1.25x23.5** bolts (4) at location shown.
Tighten<!--Action Verb-->
to **22 N•m (16 lb ft)**.
11. Install the front bumper fascia. Refer to [Front Bumper Fascia Removal and Installation](#) in Vehicle Service Manual.