

Exhaust Tail Pipe Heat Sleeve Package Installation

Installation Instructions Part Number

85874868

Kit Contents

Qty	Description
2	Exhaust Tail Pipe Heat Sleeve
1	Installation Instructions

This publication provides general information on components and procedures that may be useful when installing an exhaust tip. Please read the entire publication before starting work. Observe all safety precautions and warnings in the service manuals when installing the exhaust tip on your vehicle. Wear eye protection and appropriate protective clothing. When working under or around the vehicle support it securely with jack stands. Use only the proper tools. Exercise extreme caution when working with flammable, corrosive and hazardous liquids and materials. Some procedures require special equipment or skills. If you do not have the appropriate training, expertise and tools to perform any part of the installation safely, this work should be done by a professional.

Please read this entire publication before starting work. Also, please verify that all of the components listed in the Package Contents section below were shipped in the kit. The information below is divided into the following sections: Package contents and installation instructions. It is not the intent of these specifications to replace the comprehensive and detailed service practices explained in the GM service manuals. For detailed installation instructions please look to the service manual for you specific vehicle.

For information about warranty coverage, please contact your local dealer.

The information contained in this publication is presented without any warranty. All the risk for its use is entirely assumed by the user. Specific component design, mechanical procedures and the qualifications of the individual readers are beyond the control of the publisher, and therefore the publisher disclaims all liability incurred in connection with the use of the information provided in this publication.

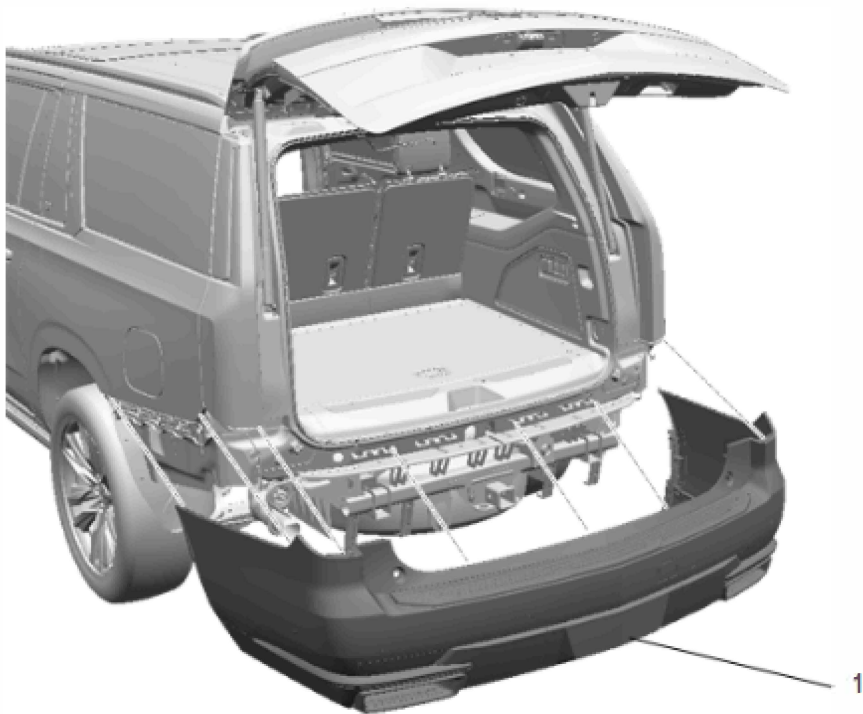
Procedure

Caution: Never work on a hot exhaust system. Serious injury in the form of burns can result. If the vehicle has been in use and the exhaust system is hot, allow vehicle to cool for at least 1 hour. Always wear eye protection when working under any vehicle.

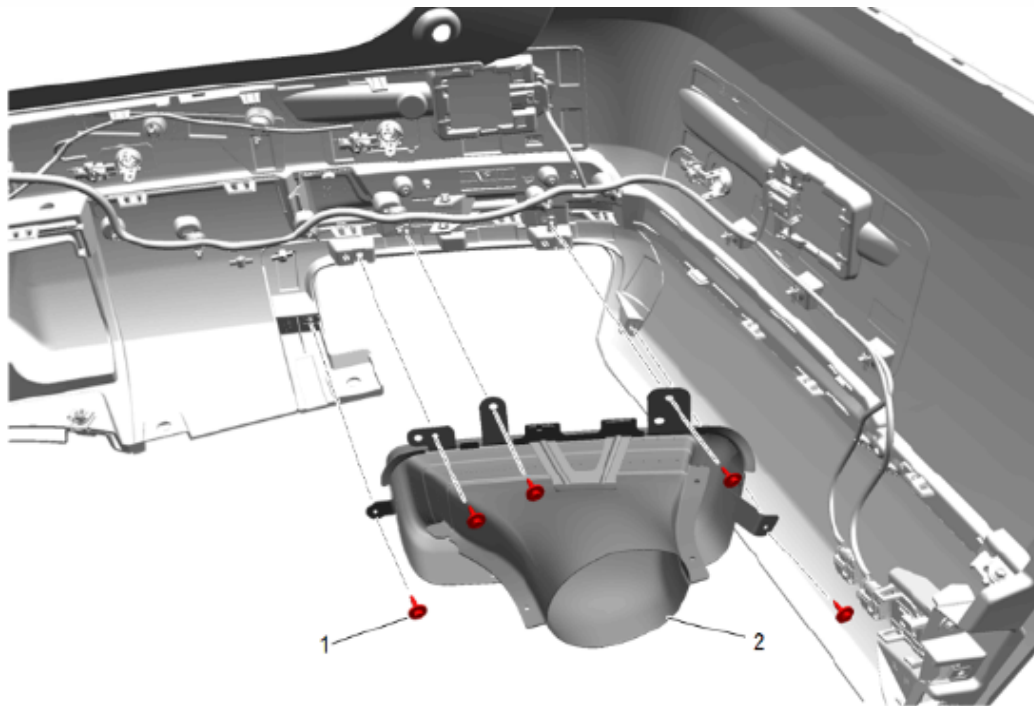
Note: It is our recommendation that you use a hoist or hydraulic lift to facilitate the installation of your new GM Performance Parts Exhaust Tail Pipe Heat Sleeve package.

Taking all under car safety precautions, lift the vehicle using a hoist or hydraulic lift. Once this has been done, you may begin working on the exhaust system.

Remove Current Exhaust Tail Pipe Heat Sleeve

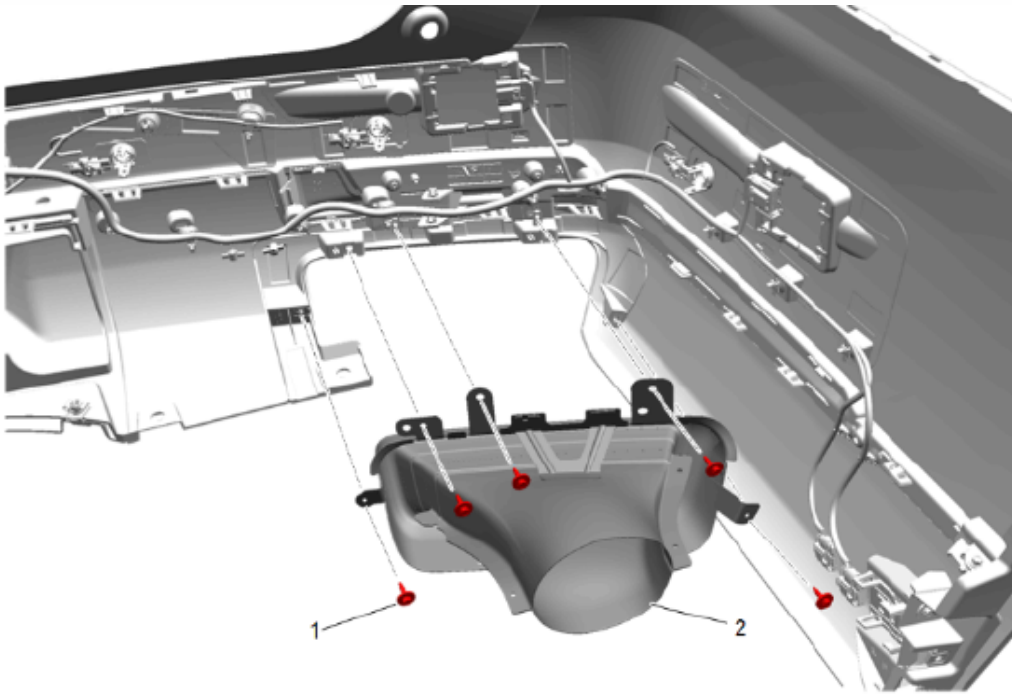


1. Remove the Rear Bumper Fascia (1). Refer to [Rear Bumper Fascia Removal and Installation](#) in Vehicle Service Manual.



2. Exhaust Tail Pipe Heat Sleeve Bolt (1) » Remove [5x]
3. Exhaust Tail Pipe Heat Sleeve (2) » Remove
4. Repeat steps 2 and 3 for opposite side.

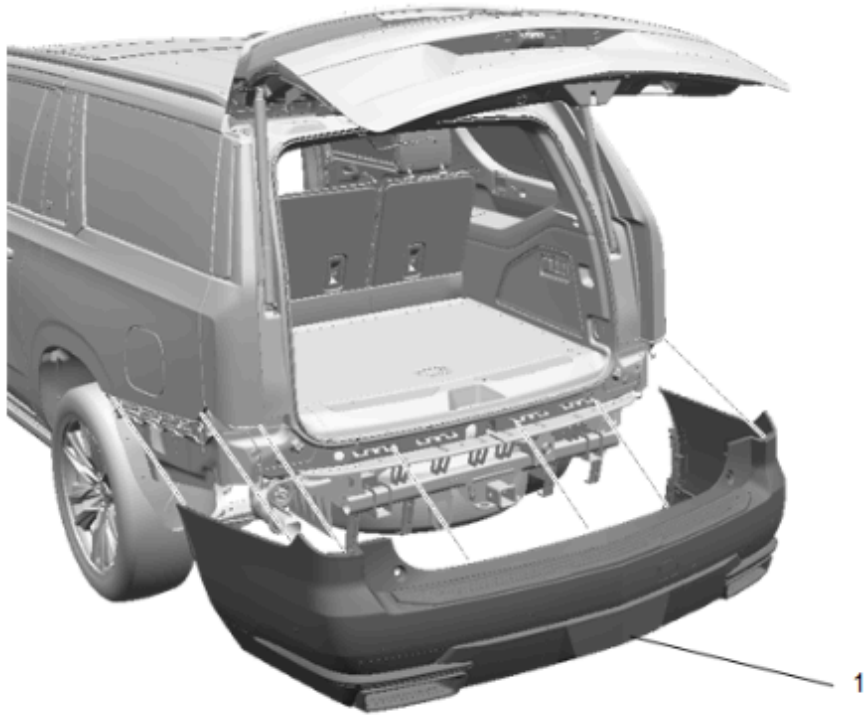
Install New Exhaust Tail Pipe Heat Sleeve



1. Exhaust Tail Pipe Heat Sleeve (2) » Install

Caution: Use the correct fastener in the correct location. Replacement fasteners must be the correct part number for that application. Fasteners requiring replacement or fasteners requiring the use of thread locking compound or sealant are identified in the service procedure. Do not use paints, lubricants, or corrosion inhibitors on fasteners or fastener joint surfaces unless specified. These coatings affect fastener torque and joint clamping force and may damage the fastener. Use the correct tightening sequence and specifications when installing fasteners in order to avoid damage to parts and systems.

2. Install exhaust tail pipe heat sleeve bolt (1)[5x] Tighten to 2.5 N.m (22 lb in).
3. Repeat steps 1 and 2 for opposite side.



4. Install rear bumper fascia (1). Refer to [Rear Bumper Fascia Removal and Installation](#) in Vehicle Service Manual.
5. Before starting your vehicle, make sure to check all wires, hoses, brake lines, body parts and tires for safe clearance from the exhaust system.