

Front Compartment Side Sight Shield Package Installation

[Installation Instructions Part Number](#)

86312525

Kit Contents

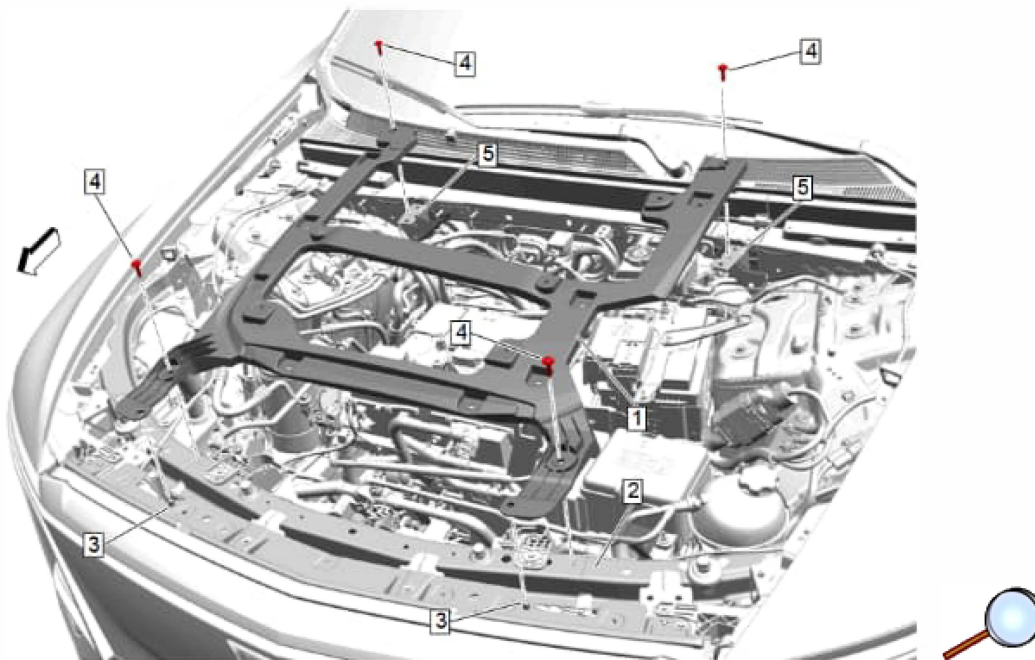
Qty	Description
1	Left Hand Sight Shield
1	Right Hand Sight Shield
1	Front Sight Shield
1	Center Sight Shield
1	Sight Shield Bracket
4	Screw

Tools Required

T30 Socket

[Procedure](#)

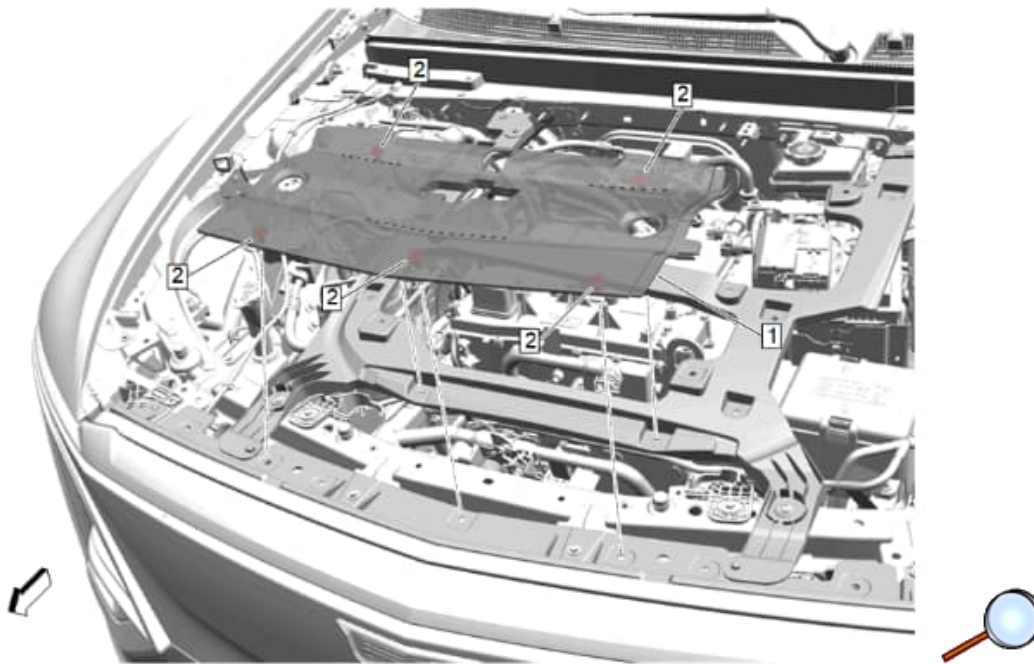
1. Open the hood.



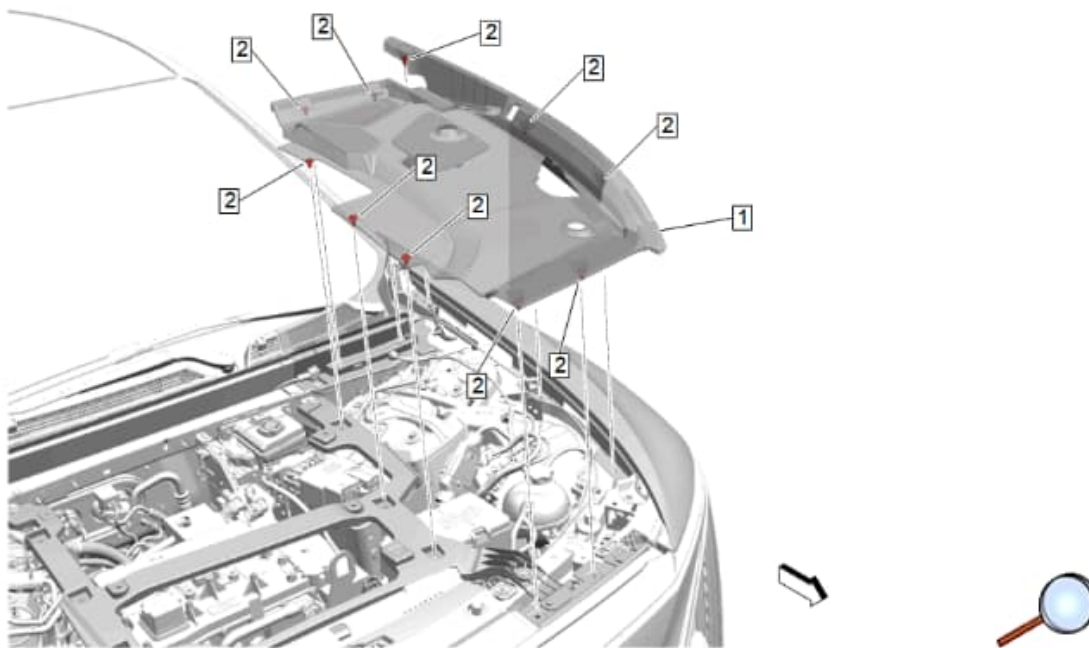
2. Install the sight shield bracket (1) to the radiator support (2) and rear brackets (5) while aligning the front holes the locators (3).

Caution: Use the correct fastener in the correct location. Replacement fasteners must be the correct part number for that application. Fasteners requiring replacement or fasteners requiring the use of thread locking compound or sealant are identified in the service procedure. Do not use paints, lubricants, or corrosion inhibitors on fasteners or fastener joint surfaces unless specified. These coatings affect fastener torque and joint clamping force and may damage the fastener. Use the correct tightening sequence and specifications when installing fasteners in order to avoid damage to parts and systems.

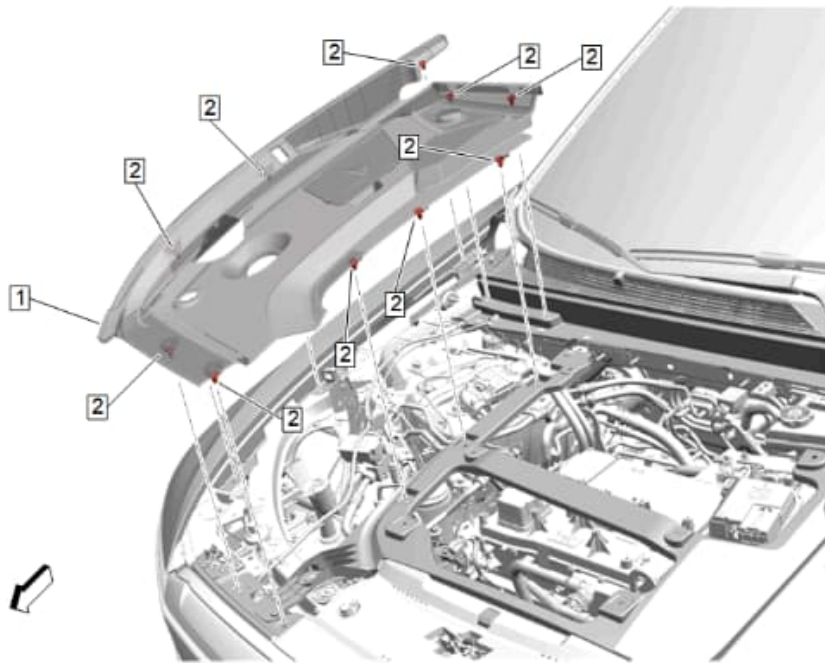
3. Secure the sight shield bracket with the supplied screws (4) and tighten to 9 N.m (80 lb in).



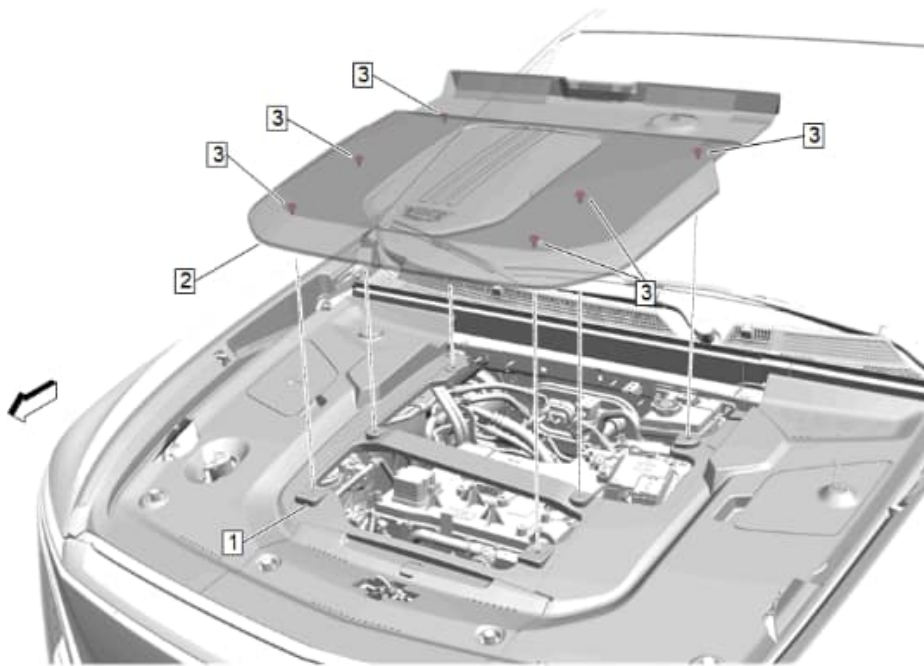
4. Install the front sight shield (1) to the sight shield bracket and front bumper fascia making sure the retainers (2) are engaged.



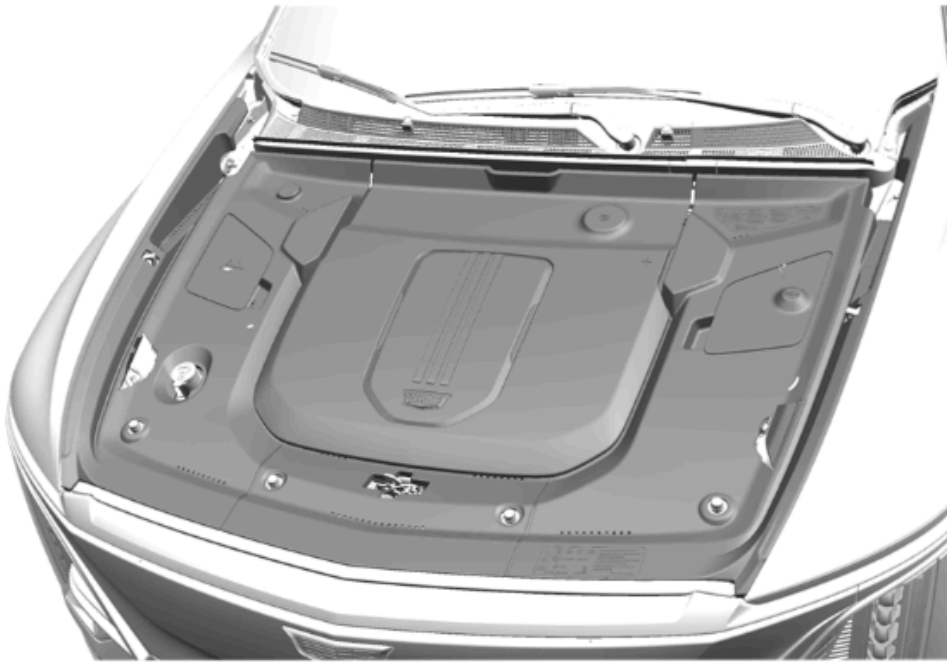
5. Install the left sight shield (1) to the sight shield bracket, front bumper fascia, rear cowl panel and driver side fender, making sure the retainers (2) are engaged.



6. Install the right sight shield (1) to the sight shield bracket, front bumper fascia, rear cowl panel and driver side fender, making sure the retainers (2) are engaged.



7. Install the center sight shield (2) to the sight shield bracket (1), making sure the retainers (3) are engaged.



8. Sight shields complete.