

Body Emblem Package Installation (Instruction ID: 86322289)

[Installation Instructions Part Number](#)

86322289

Kit Contents

Qty	Description
1	Emblem (Liftgate) - "OPTIQ"
1	Emblem (Liftgate) - "450E" (if equipped)
1	Emblem (Liftgate) - "700E4" (if equipped)
1	Emblem (Liftgate) - "E4" (if equipped. MY27 Forward) Note: Two wheel drive has no torque value emblem.
1	Emblem (Liftgate) - "V-Series" (if equipped)
1	Emblem (Left Rear Door) - "V-Series" (if equipped)
1	Emblem (Right Rear Door) - "V-Series" (if equipped)
1	Installation Instructions

Tools Required

Masking Tape

Rubber Roller

Scissors

Plastic Flat-Bladed Tool

Isopropyl Alcohol Solution

Lint Free Cloth

Before you start

Note: For the nameplate to adhere best, the vehicle's mating surface (doors, rear compartment, etc.) should be free of damage (dents, scratches, creases, fractures, etc.).



Caution: Do not use heat gun/hair dryer or apply excessive heat to the emblem/nameplate as this may damage the paint and surrounding panel surfaces during removal.



Caution: Use a plastic, flat-bladed tool to prevent paint damage when removing an emblem/nameplate. Do not use fishing line to remove nameplate as this may worsen the tape residue cleaning process. Use Isopropyl Alcohol and Lint Free Cloth to remove tape residue. Heavy foam/adhesive residue remaining on the painted surface can be removed using 3M's Scotch-Brite™ Molding Adhesive and Stripe Removal 4-inch Foam Disc. DO NOT use hard Stripe off wheel.

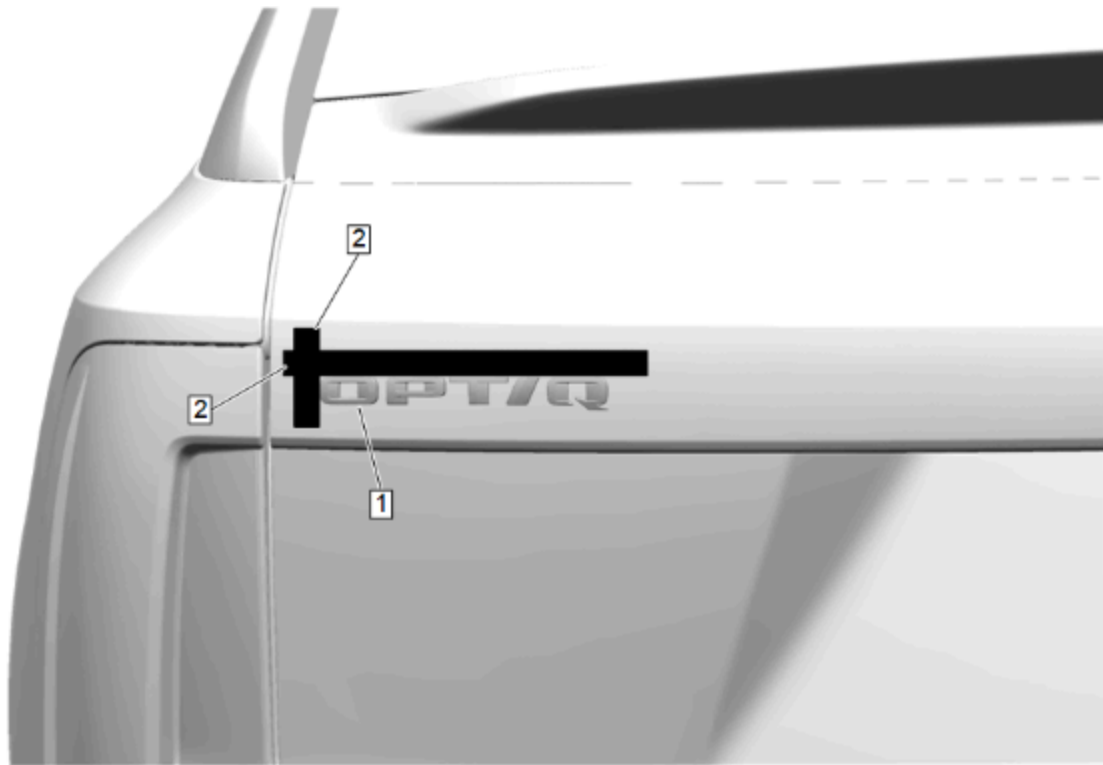
Caution: Only install nameplates as a direct replacement of the existing vehicle content.

1. The part and surface should be 21°C (70°F) prior to installation. The vehicle should remain 21°C (70°F) for one hour after assembly to allow adhesive to develop sufficient bond strength.
2. Wash the vehicle mating surfaces with a non-petroleum based cleaning product. If a stronger cleaner is required to remove any contaminants, use 3M® general purpose Adhesive Cleaner (P/N 08984). Then, thoroughly dry with a soft clean cloth.

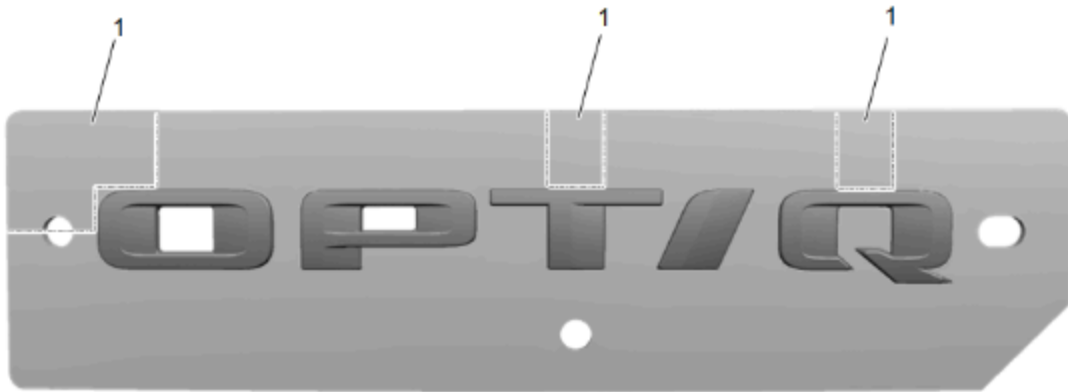
Note: Do not wash vehicle for 24 hours after installation of emblem/name plate.

Procedure

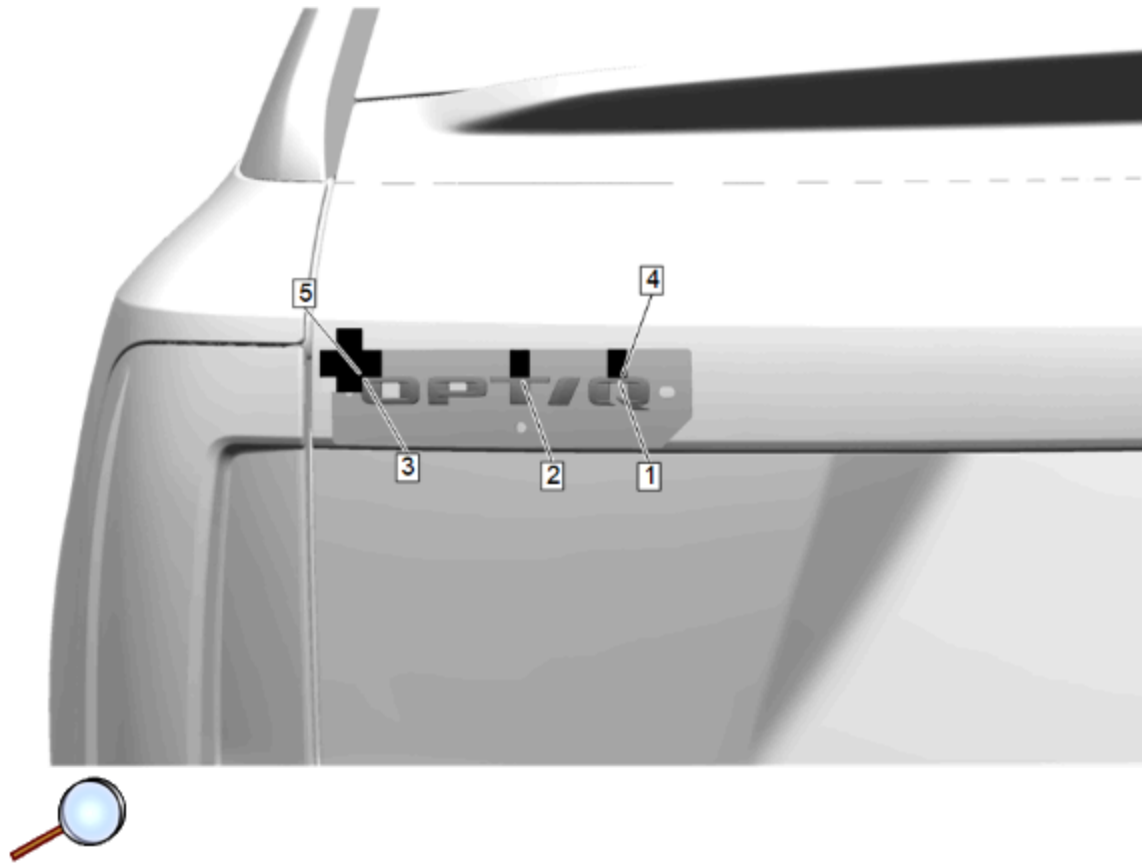
Liftgate Emblem (OPTIQ)



1. Apply masking tape (2) around the existing nameplate to be replaced. These will be the locating features for the new accessory nameplate.
2. Use a plastic flat-bladed tool to remove the nameplate (1).
3. Clean and prep surface completely using an Isopropyl Alcohol Solution with a lint free cloth and allow to dry completely before installation.



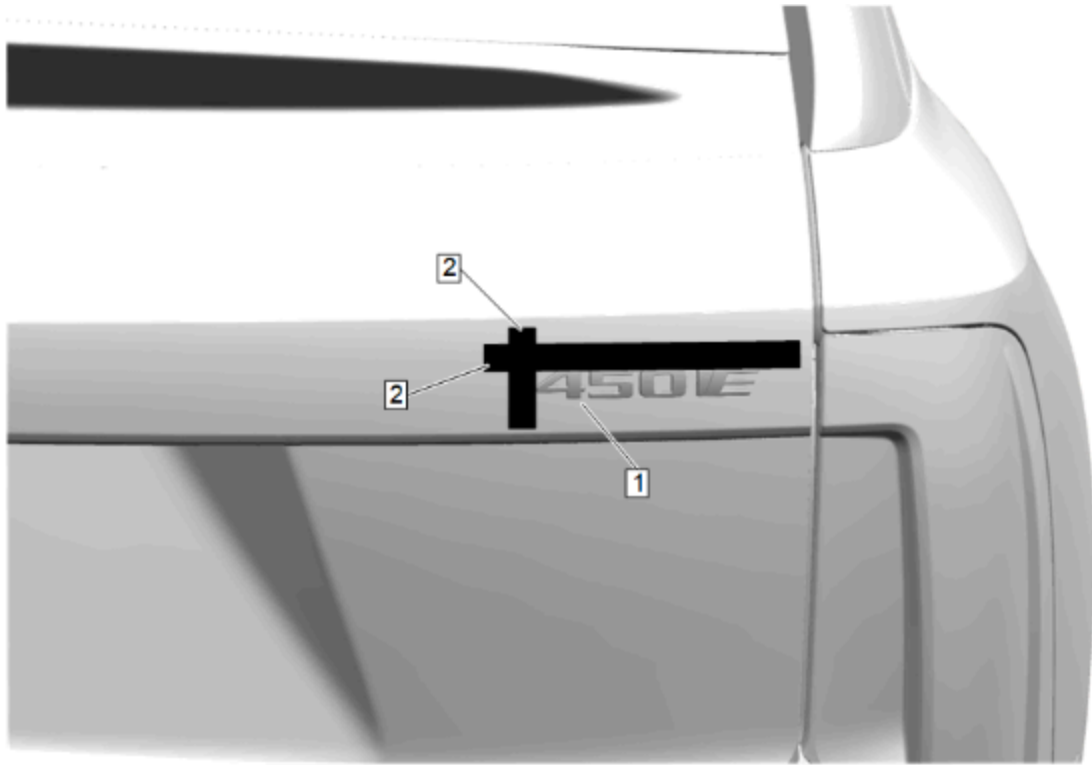
4. Carefully cut out notches (1) as shown in the foam carrier without damaging or misaligning any of the letters. The notches will provide points of reference to help align the top of the letters to the tape. The notch at the "O" will aid in aligning to the vertical piece of tape.
5. Take the nameplate and peel the protective liner from the adhesive backing on the rear of the nameplate. Be careful not to touch the tape with hands and do not allow the tape to come into contact with dirt or any foreign matter prior to adhesion.



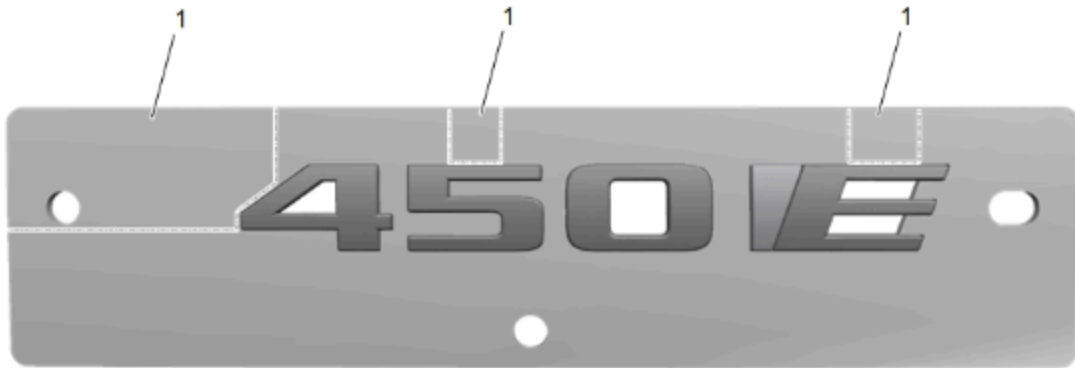
Note: Make sure the foam carrier and nameplate stay together during installation.

- IMPORTANT:** The adhesive will bond quickly to the paint. In the event that the nameplate should be mis-aligned after installation, do not attempt to remove the nameplate as this will cause paint damage. To avoid mis-alignment, do not drop the nameplate into place. Instead, first align the top edge of the "Q" (1) and "T" (2) of the nameplate in foam carrier to the bottom of masking tape (4). Then, toggle the "O" (3) with foam carrier into corner of tape (5).
- Using the palm of the hand or an applicable roller, push the nameplate to the mating surface with approximately 10 lbs of pressure to ensure full adhesion of the nameplate.
- Remove the foam carrier and the protective liner from the front of the nameplate.
- Remove masking tape.

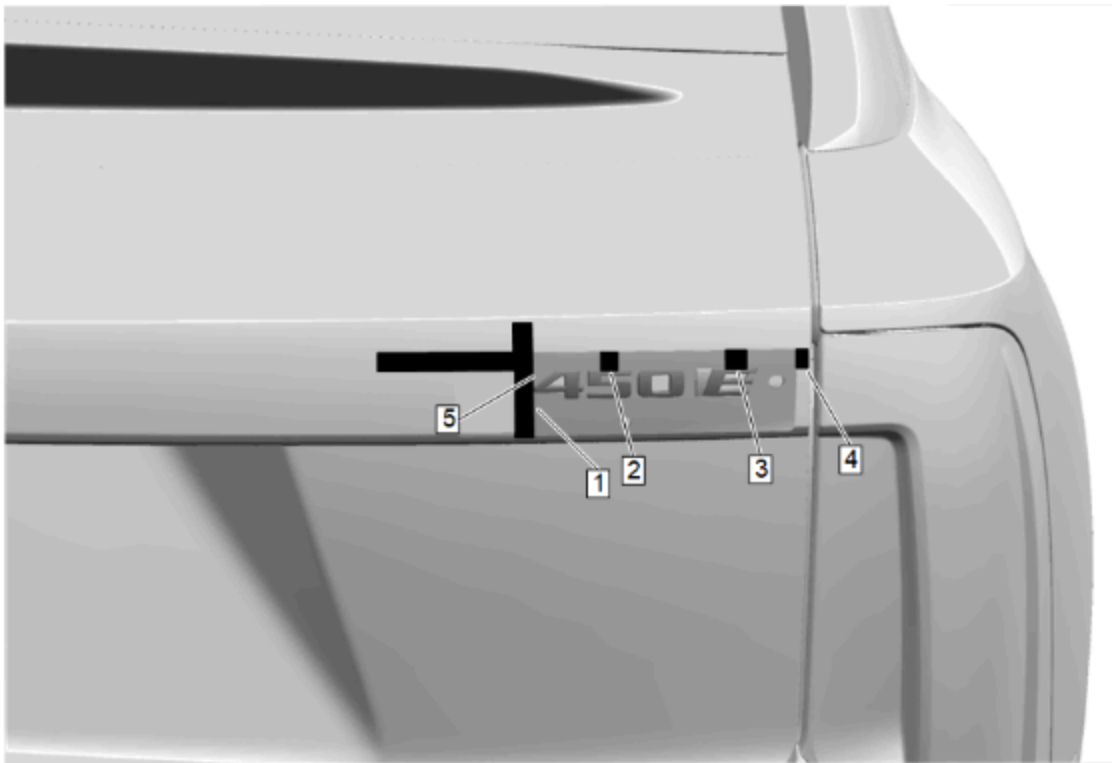
Liftgate Emblem (450E)



1. Apply masking tape (2) around the existing nameplate to be replaced. These will be the locating features for the new accessory nameplate.
2. Use a plastic flat-bladed tool to remove the nameplate (1).
3. Clean and prep surface completely using an Isopropyl Alcohol Solution with a lint free cloth and allow to dry completely before installation.



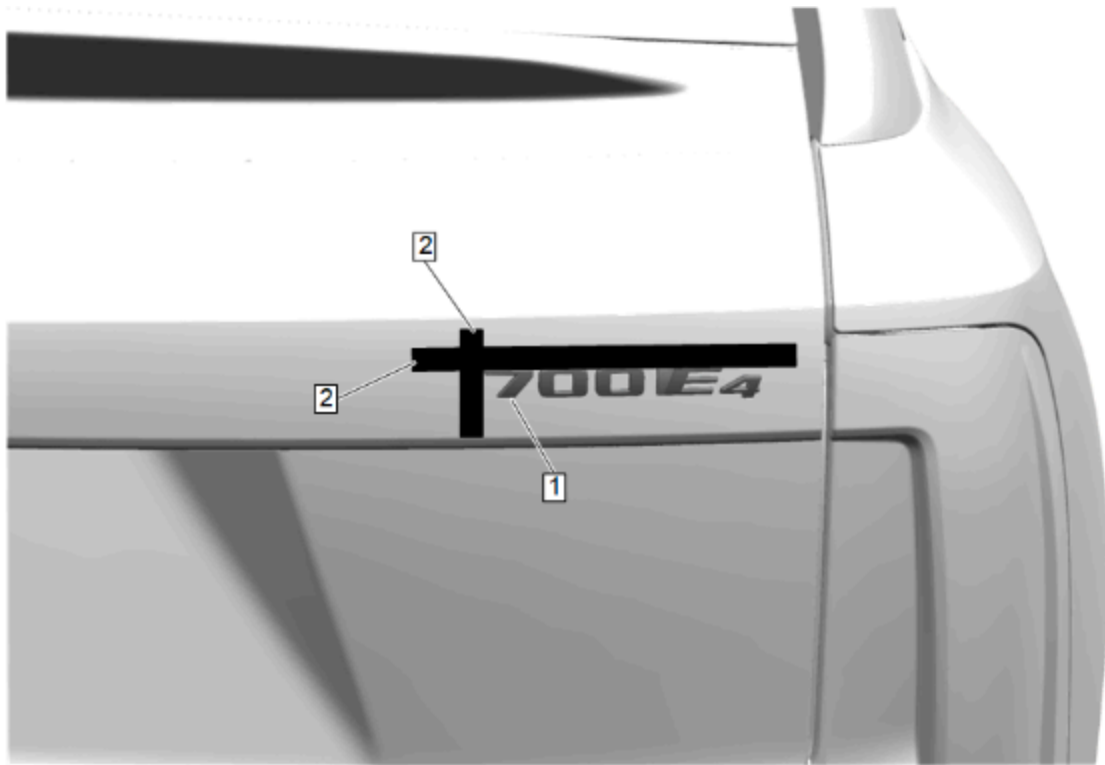
4. Carefully cut out notches (1) as shown in the foam carrier without damaging or misaligning any of the letters. The notches will provide three points of reference to help align the top of the letters to the tape. The top notches will aid in aligning to the vertical piece of tape.
5. Take the nameplate and peel the protective liner from the adhesive backing on the rear of the nameplate. Be careful not to touch the tape with hands and do not allow the tape to come into contact with dirt or any foreign matter prior to adhesion.



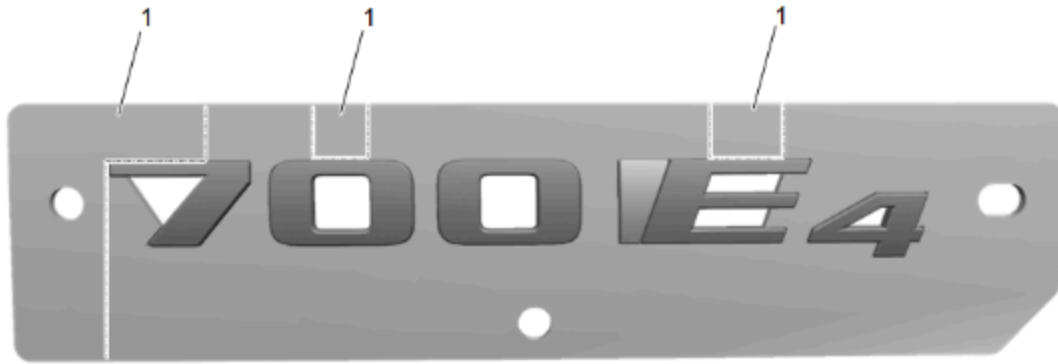
Note: Make sure the foam carrier and nameplate stay together during installation.

6. **IMPORTANT:** The adhesive will bond quickly to the paint. In the event that the nameplate should be mis-aligned after installation, do not attempt to remove the nameplate as this will cause paint damage. To avoid mis-alignment, do not drop the nameplate into place. Instead, first align the left side (1) on the nameplate in foam carrier, to the right side of the masking tape (5), then the top left cut-out (2) to the lower side of the masking tape (4), then toggle the right cut-out (3) with foam carrier.
7. Using the palm of the hand or an applicable roller, push the nameplate to the mating surface with approximately 10 lbs of pressure to ensure full adhesion of the nameplate.
8. Remove the foam carrier and the protective liner from the front of the nameplate.
9. Remove masking tape.

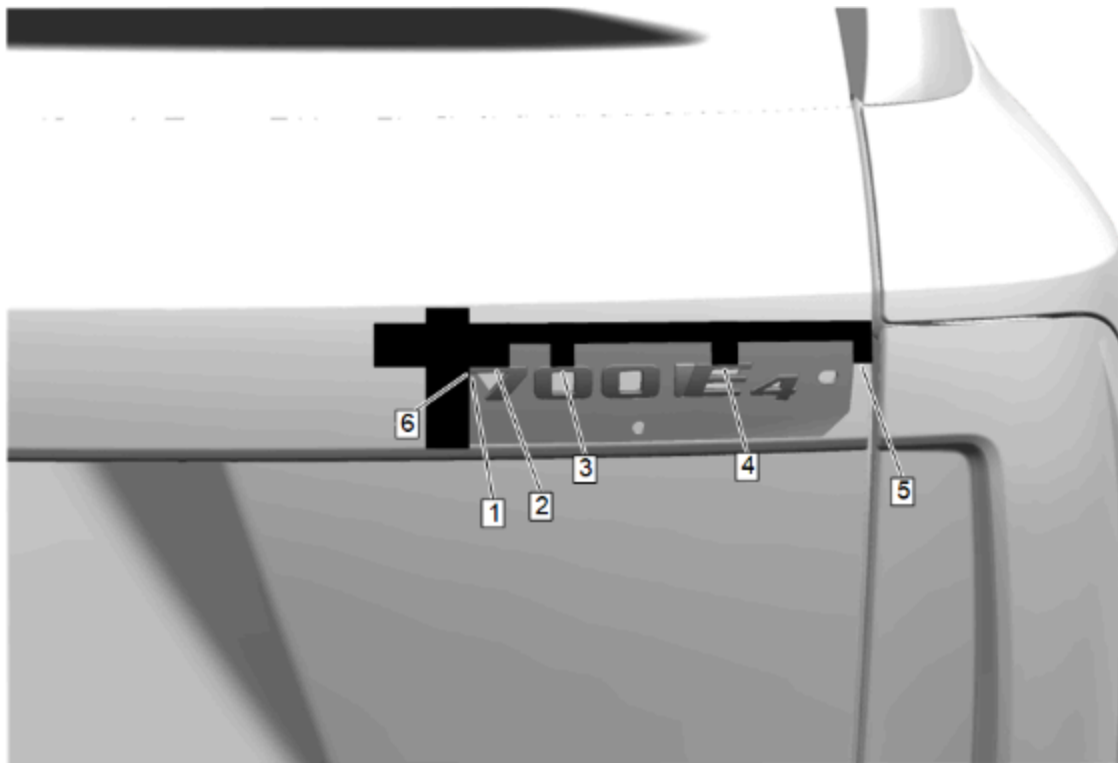
Liftgate Emblem (700E4)



1. Apply masking tape (2) around the existing nameplate to be replaced. These will be the locating features for the new accessory nameplate.
2. Use a plastic flat-bladed tool to remove the nameplate (1).
3. Clean and prep surface completely using an Isopropyl Alcohol Solution with a lint free cloth and allow to dry completely before installation.



4. Carefully cut out notches (1) as shown in the foam carrier without damaging or misaligning any of the letters. The notches will provide three points of reference to help align the top of the letters to the tape. The top notches will aid in aligning to the vertical piece of tape.
5. Take the nameplate and peel the protective liner from the adhesive backing on the rear of the nameplate. Be careful not to touch the tape with hands and do not allow the tape to come into contact with dirt or any foreign matter prior to adhesion.



Note: Make sure the foam carrier and nameplate stay together during installation.

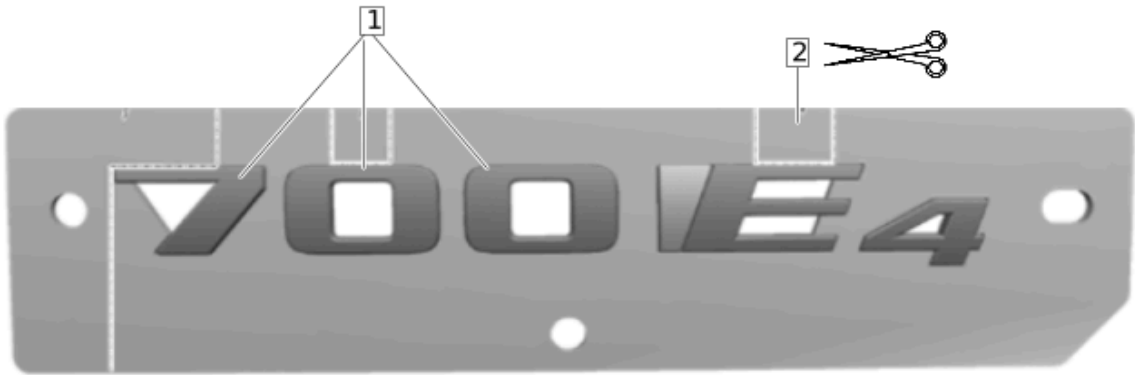
6. **IMPORTANT:** The adhesive will bond quickly to the paint. In the event that the nameplate should be mis-aligned after installation, do not attempt to remove the nameplate as this will cause paint damage. To avoid mis-alignment, do not drop the nameplate into place. Instead, first align the left side (1) on the nameplate in foam carrier, to the right side of the masking tape (6), then the top left cut-out (2) to the lower side of the masking tape (5), then toggle the center cutout (3) and right cut-out (4) with foam carrier.
7. Using the palm of the hand or an applicable roller, push the nameplate to the mating surface with approximately 10 lbs of pressure to ensure full adhesion of the nameplate.
8. Remove the foam carrier and the protective liner from the front of the nameplate.
9. Remove masking tape.

Liftgate Emblem (E4) — AWD Vehicle Equipped with Factory E4 Emblem (MY27 Forward)

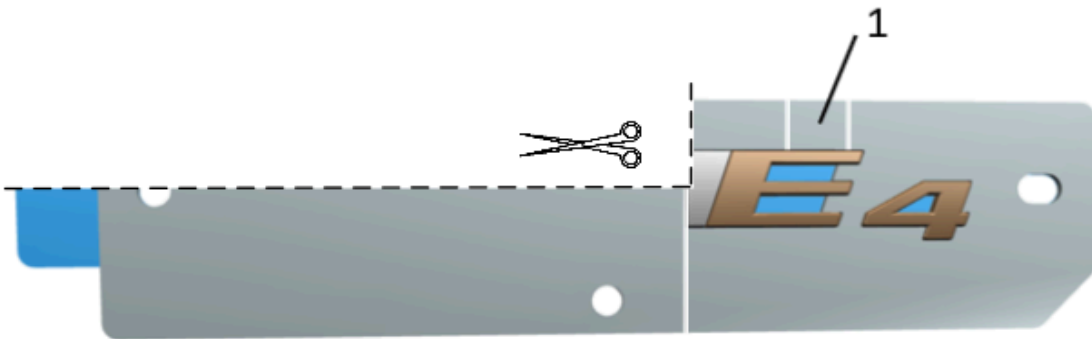
Note: For 2WD vehicles, discard the 700e4 and 450e name plates.



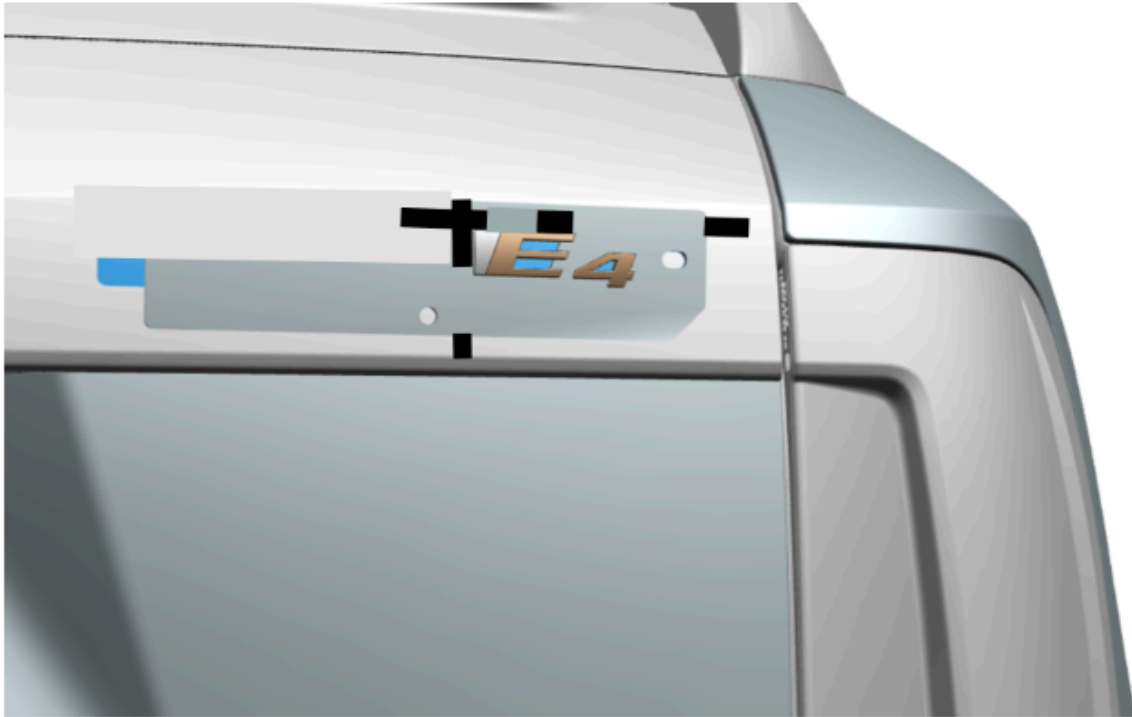
1. Apply masking tape (1) around the existing nameplate to be replaced. These will be the locating features for the new accessory nameplate.
2. Use a plastic flat-bladed tool to remove the nameplate.
3. Clean and prep surface completely using an Isopropyl Alcohol Solution with a lint free cloth and allow to dry completely before installation.



4. Remove the digits (1) "7" "0" "0" from the foam carrier.
5. Carefully cut out a notch (1) above the letter "E" as shown in the foam carrier without damaging or affecting alignment of the letters. The notch will provide a points of reference to help align the top of the letters to the tape.



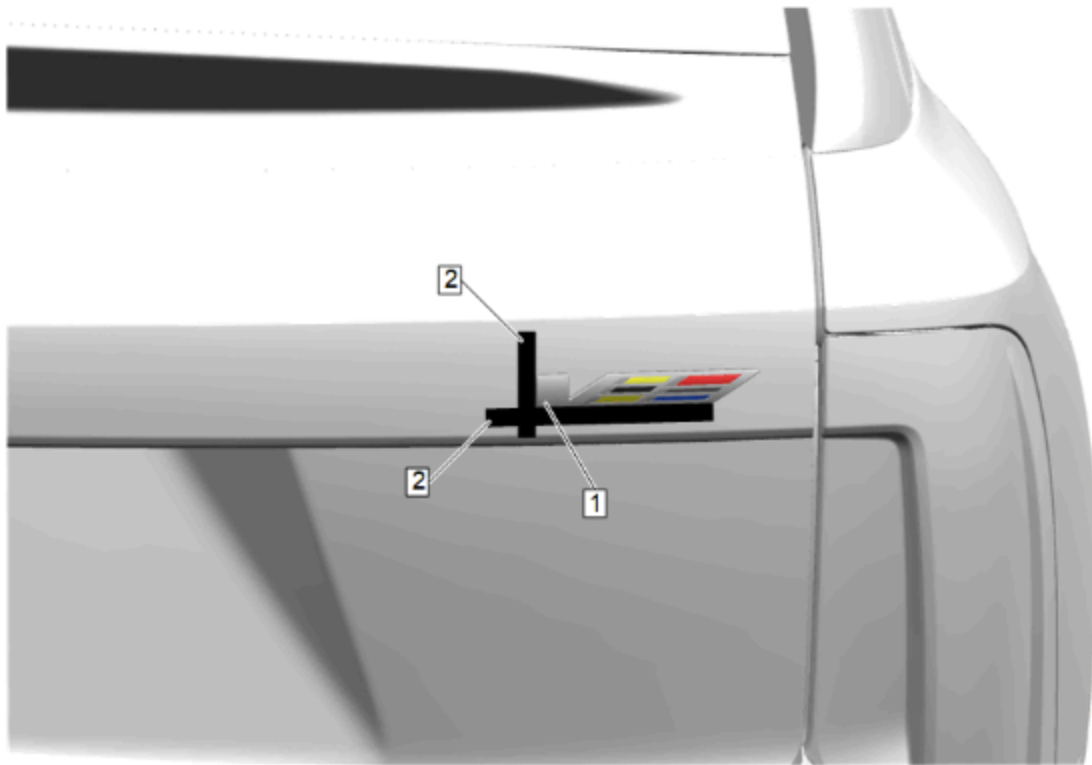
- Carefully cut down alongside letter "E" as shown.
- Take the nameplate and peel the protective liner from the adhesive backing on the rear of the nameplate. Be careful not to touch the tape with hands and do not allow the tape to come into contact with dirt or any foreign matter prior to adhesion.



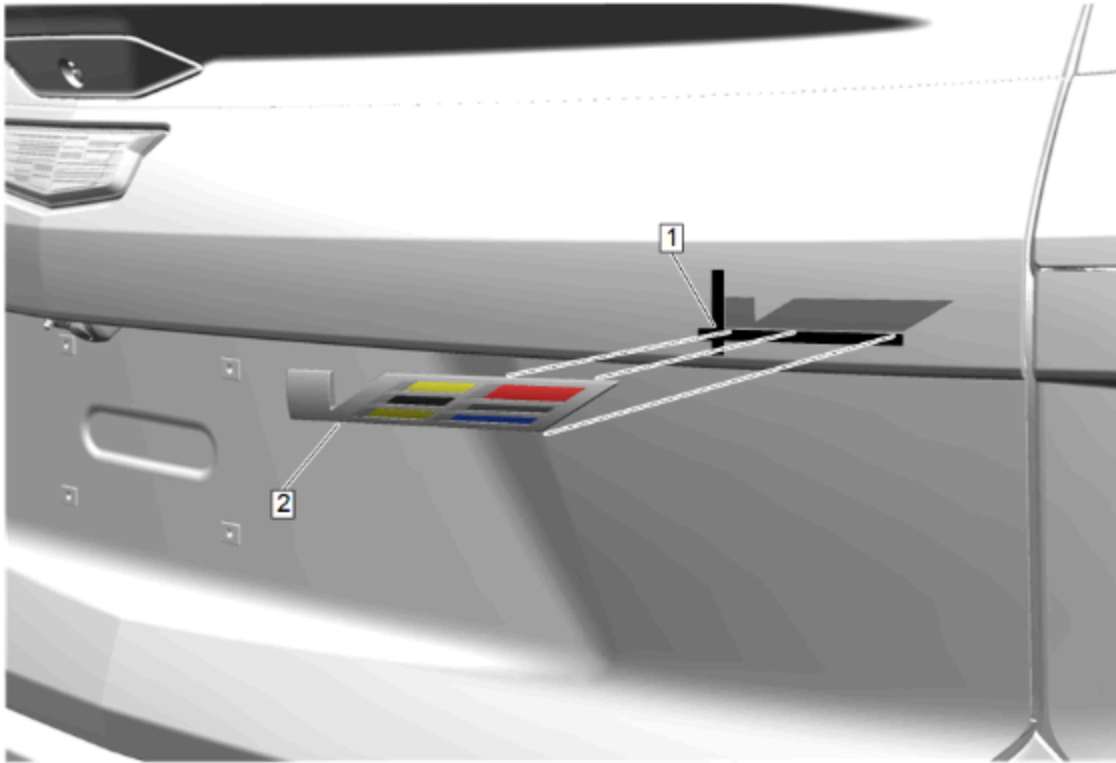
Note: Make sure the foam carrier and nameplate stay together during installation.

- IMPORTANT:** The adhesive will bond quickly to the paint. In the event that the nameplate should be mis-aligned after installation, do not attempt to remove the nameplate as this will cause paint damage. To avoid mis-alignment, do not drop the nameplate into place. Instead, first align the left side on the nameplate in foam carrier to the right side of the masking tape, then the top cut-out to the lower side of the masking tape.
- Using the palm of the hand or an applicable roller, push the nameplate to the mating surface with approximately 10 lbs of pressure to ensure full adhesion of the nameplate.
- Remove the foam carrier and the protective liner from the front of the nameplate.
- Remove masking tape.

Liftgate Emblem (V-Series)

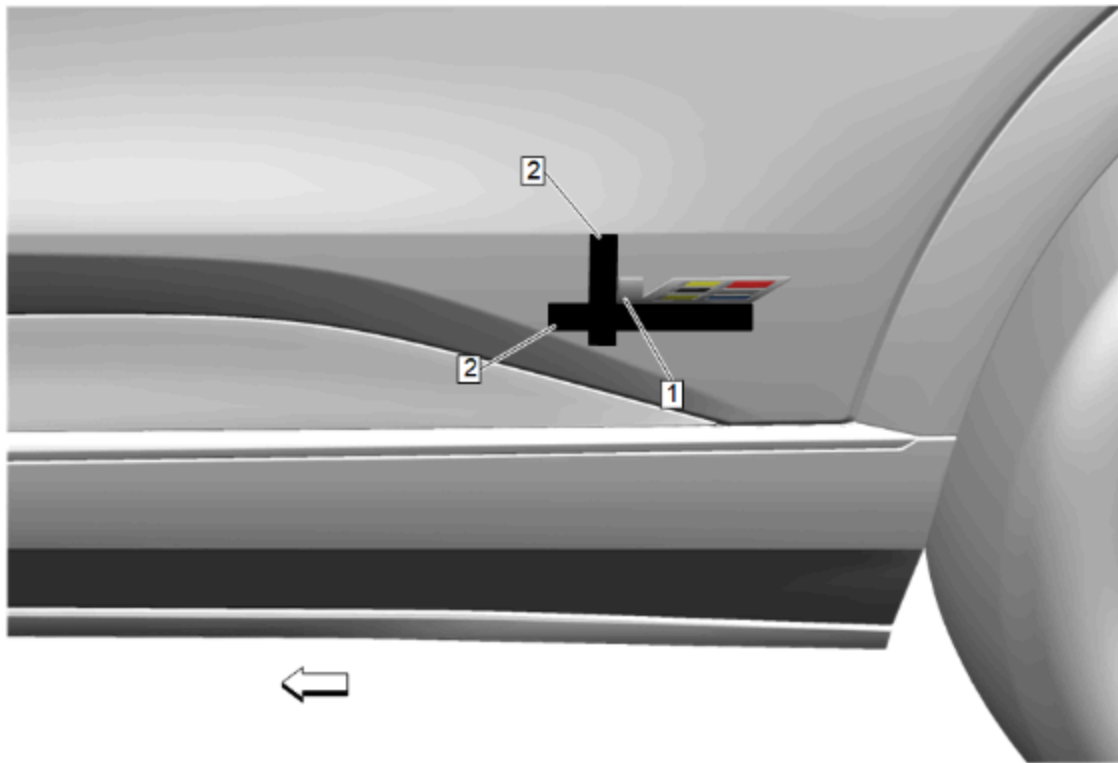


1. Apply masking tape (2) around the existing emblem to be replaced. These will be the locating features for the new accessory emblem.
2. Use a plastic flat-bladed tool to remove the emblem (1).
3. Clean and prep surface completely using an Isopropyl Alcohol Solution with a lint free cloth and allow to dry completely before installation.

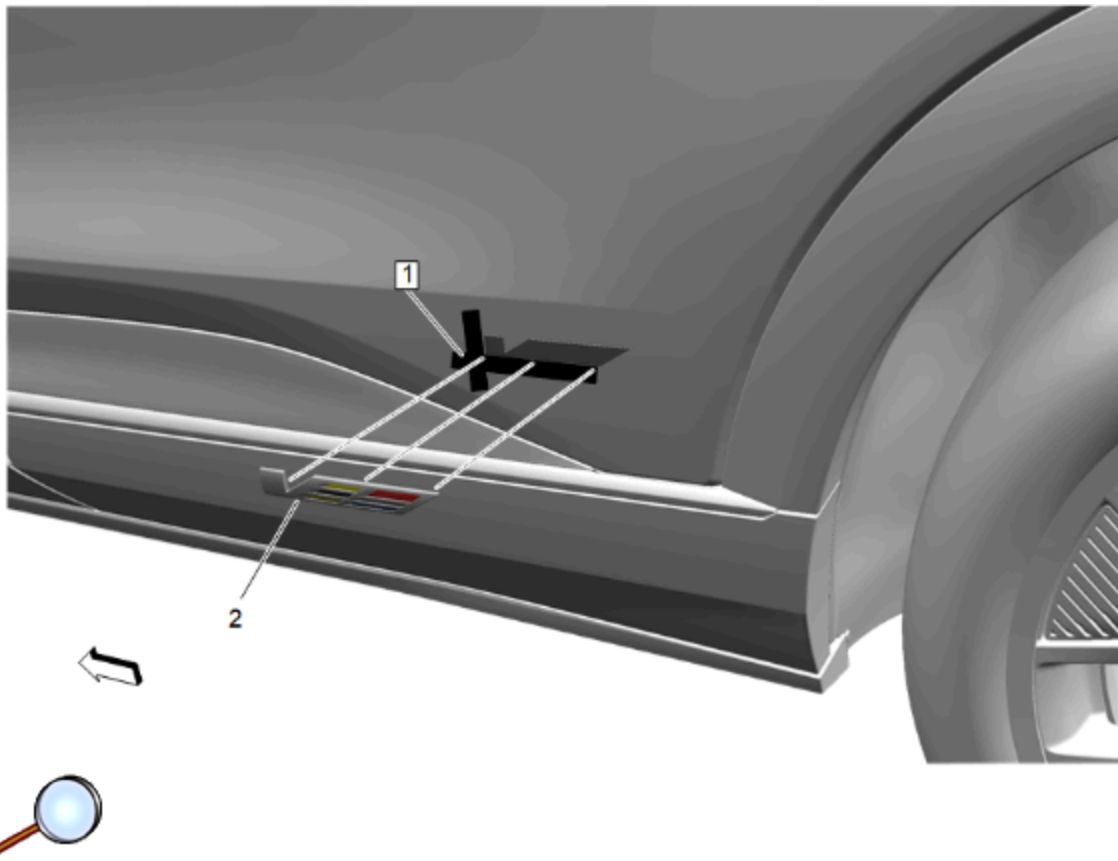


4. Take the nameplate (2) and peel the protective liner from the adhesive backing on the rear of the nameplate. Be careful not to touch the tape with hands and do not allow the tape to come into contact with dirt or any foreign matter prior to adhesion.
5. **IMPORTANT:** The adhesive will bond quickly to the paint. In the event that the nameplate should be mis-aligned after installation, do not attempt to remove the nameplate as this will cause paint damage. To avoid mis-alignment, do not drop the nameplate into place. Instead, first align the bottom edge of the emblem lettering to the masking tape (1). Then, toggle the nameplate into place.
6. Using the palm of the hand or an applicable roller with approximately 10 lbs of pressure, wet out the emblem/name plate to the mating surface to ensure full adhesion of the nameplate is made.
7. Remove masking tape.

Rear Door Emblem – LH (V-Series)

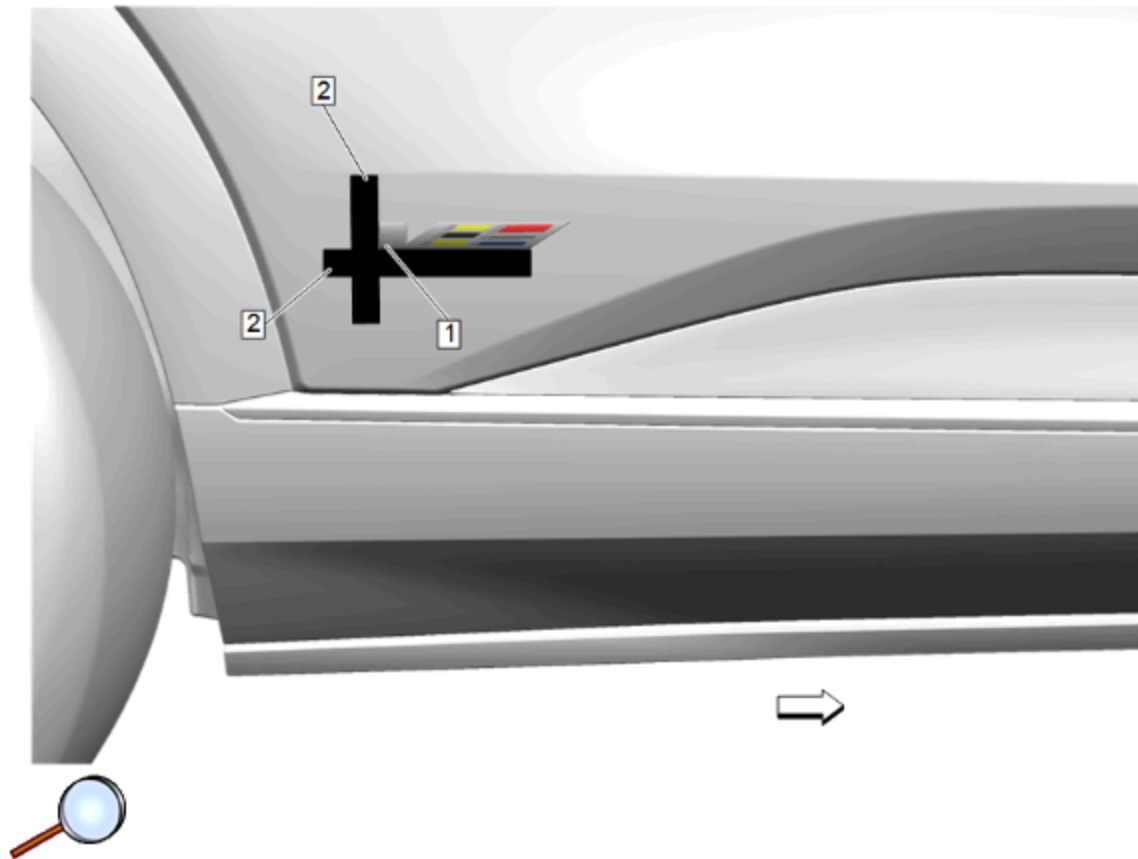


1. Apply masking tape (2) around the existing emblem to be replaced. These will be the locating features for the new accessory emblem.
2. Use a plastic flat-bladed tool to remove the emblem (1).
3. Clean and prep surface completely using an Isopropyl Alcohol Solution with a lint free cloth and allow to dry completely before installation.

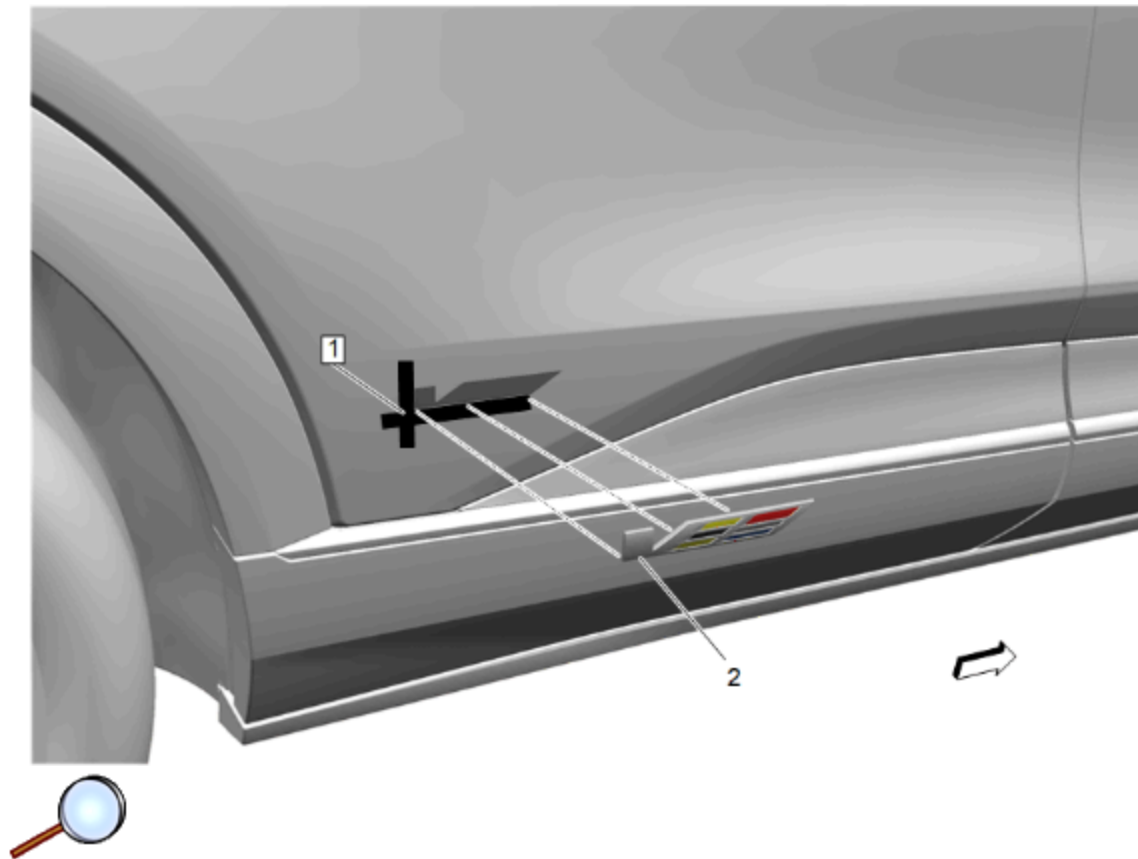


4. Take the nameplate (2) and peel the protective liner from the adhesive backing on the rear of the nameplate. Be careful not to touch the tape with hands and do not allow the tape to come into contact with dirt or any foreign matter prior to adhesion.
5. **IMPORTANT:** The adhesive will bond quickly to the paint. In the event that the nameplate should be mis-aligned after installation, do not attempt to remove the nameplate as this will cause paint damage. To avoid mis-alignment, do not drop the nameplate into place. Instead, first align the bottom edge of the emblem lettering to the masking tape (1). Then, toggle the nameplate into place.
6. Using the palm of the hand or an applicable roller with approximately 10 lbs of pressure, wet out the emblem/name plate to the mating surface to ensure full adhesion of the nameplate is made.
7. Remove masking tape.

Rear Door Emblem – RH (V-Series)



1. Apply masking tape (2) around the existing emblem to be replaced. These will be the locating features for the new accessory emblem.
2. Use a plastic flat-bladed tool to remove the emblem (1).
3. Clean and prep surface completely using an Isopropyl Alcohol Solution with a lint free cloth and allow to dry completely before installation.



4. Take the nameplate (2) and peel the protective liner from the adhesive backing on the rear of the nameplate. Be careful not to touch the tape with hands and do not allow the tape to come into contact with dirt or any foreign matter prior to adhesion.
5. **IMPORTANT:** The adhesive will bond quickly to the paint. In the event that the nameplate should be mis-aligned after installation, do not attempt to remove the nameplate as this will cause paint damage. To avoid mis-alignment, do not drop the nameplate into place. Instead, first align the bottom edge of the emblem lettering to the masking tape (1). Then, toggle the nameplate into place.
6. Using the palm of the hand or an applicable roller with approximately 10 lbs of pressure, wet out the emblem/name plate to the mating surface to ensure full adhesion of the nameplate is made.
7. Remove masking tape.