

# Body Emblem Package Installation

## [Installation Instructions Part Number](#)

86508654

### Kit Contents

Qty	Description
1	Emblem (Liftgate) – “ESCALADE IQ”
1	Emblem (Liftgate) – “1000 E4”
1	Installation Instructions

**Note:** Emblems included will vary based on the vehicle configuration purchased.

### Tools Required

Masking Tape

Rubber Roller

Scissors

Plastic Flat-Bladed Tool

Isopropyl Solution

Clean Drinking Water

### Before you start

**Note:** For the emblem to adhere best, the vehicle’s mating surface (rear compartment, etc.) should be free of damage (dents, scratches, creases, fractures, etc.).

**Caution:** Use a plastic, flat-bladed tool to prevent paint damage when removing an emblem/name plate.

**Caution:** Applying heat to the emblem/nameplate may damage the paint and surrounding panel surfaces during removal. Do not apply any heat to emblem/nameplate.

1. The part and surface should be 21°C (70°F) prior to installation. The vehicle should remain 21°C (70°F) for one hour after assembly to allow adhesive to develop sufficient bond strength.
2. Wash the vehicle mating surfaces (Door or Liftgate) with a non-petroleum based cleaning product. If a stronger cleaner is required to remove any contaminates, use 3M general purpose Adhesive Cleaner (P/N 08984). Then, thoroughly dry with a soft clean cloth.

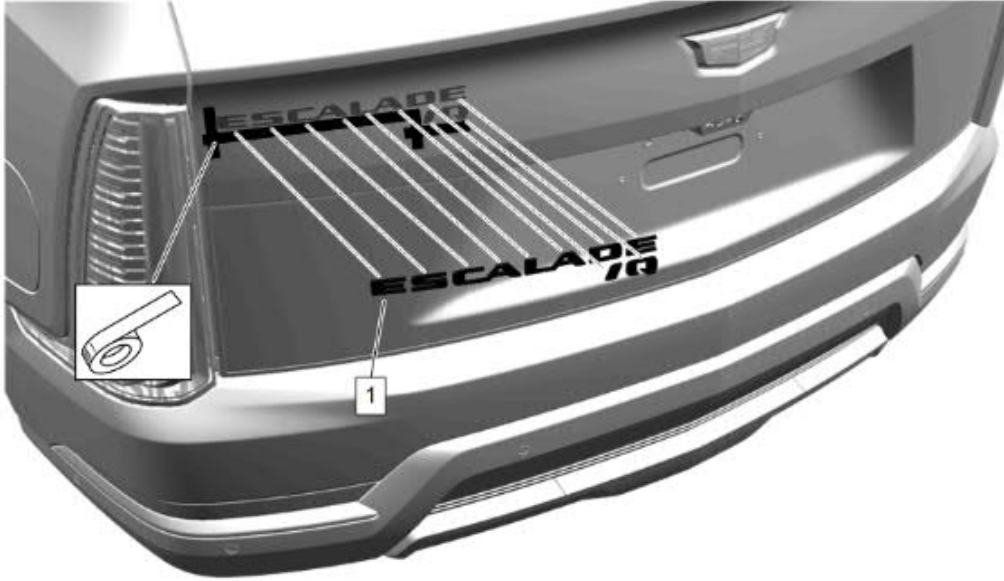
### Procedure

**Caution:** Only install black badges as a direct replacement of the existing vehicle content.

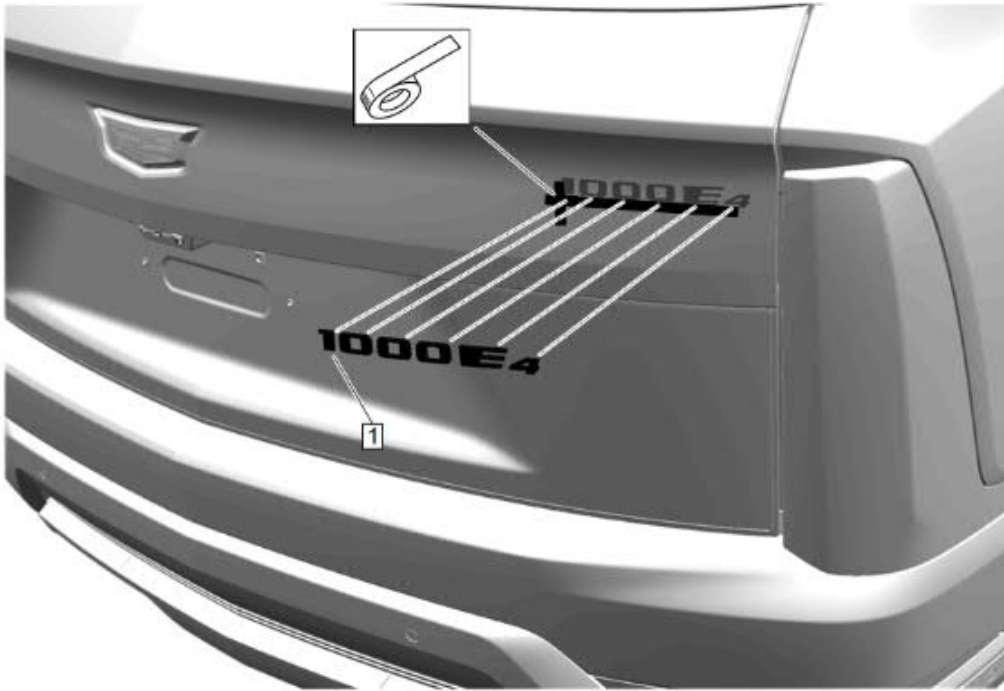
1. Apply masking tape around existing nameplates to be replaced. Tape the left side and the bottom edge of the existing nameplate. This will be the locating feature for the new accessory emblem.

**Note:** Do not use hair dryer or heat gun to an emblem/nameplate that is adhered to a chrome plated surface. Use a plastic flat-bladed tool only to assist in removal of an emblem/nameplate from chrome plated surfaces.

2. Pry the emblem/nameplate off the vehicle body using a plastic flat-bladed tool.
3. Heavy foam/adhesive residue remaining on the paint surface can be removed using isopropyl solution and water.
4. Wipe the area of the surface where the emblem will be installed. Wipe surface dry with a clean lint-free towel.
5. Take one of the painted emblems and peel the protective liner from the adhesive backing. Be careful not to touch the tape with hands and do not allow tape to come in contact with dirt or any foreign matter prior to adhesion.
6. **IMPORTANT:** The adhesive will bond quickly to the paint. In the event that the emblem should be mis-aligned after installation, do not attempt to remove the emblem as this will cause paint damage. To avoid mis-alignment, do not drop the emblem into place. Instead, first align the bottom edge of the emblem lettering to the masking tape. Then, toggle the emblem into place.
7. Using the palm of the hand or an applicable roller with approximately 10 lbs of pressure, wet out the emblem/name plate to the mating surface to ensure full adhesion of the nameplate is made.
8. Repeat the same procedure for the remaining emblems.



8.1. Liftgate emblem ESCALADE IQ (1).



8.2. Liftgate emblem 1000 E4 (1).