

Floor Auxiliary Mat Set Installation (Instruction ID: 86523075)

Installation Instructions Part Number

86523075

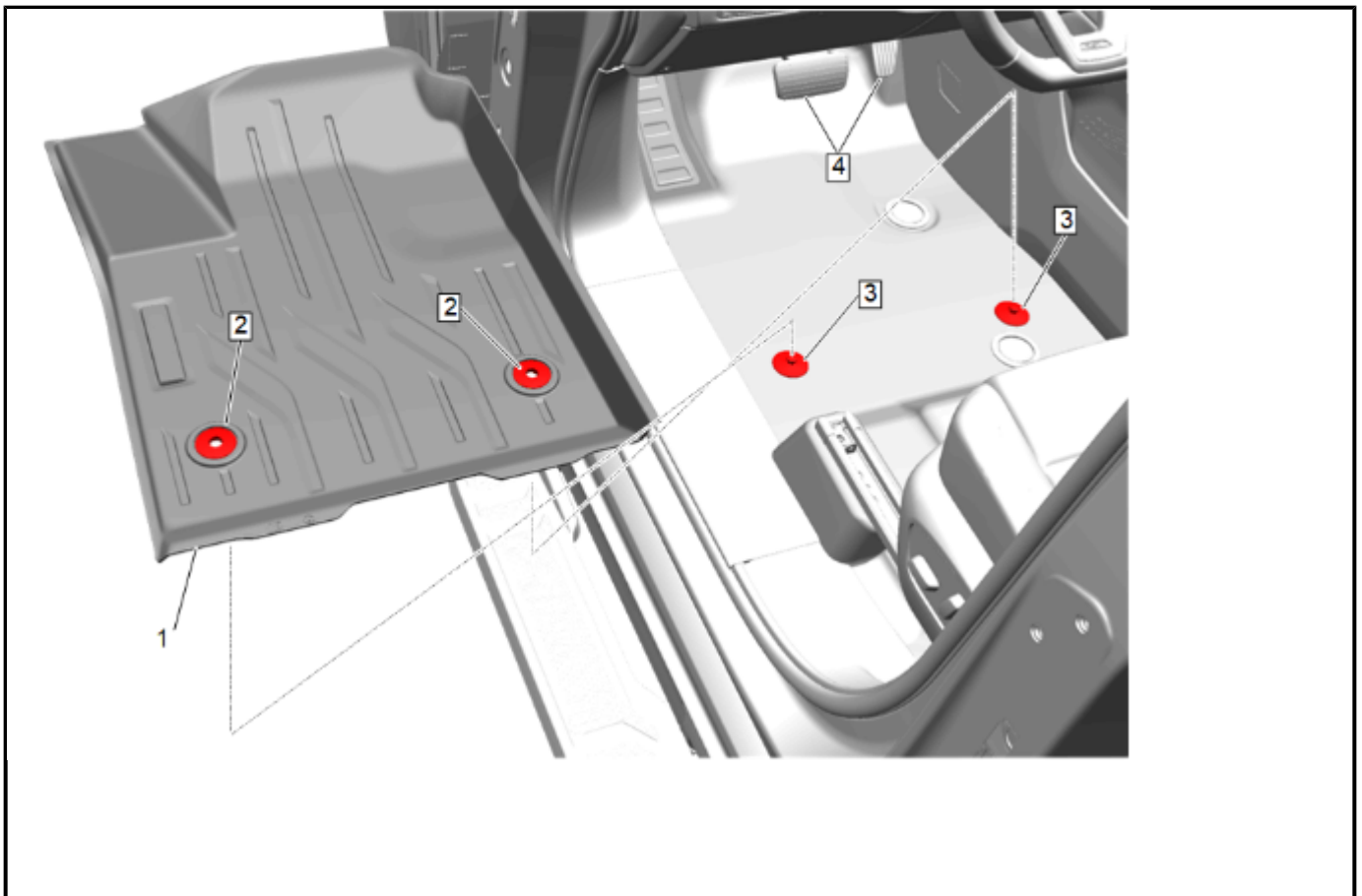
Kit Contents

Qty	Description
1	Front Floor Liner – Driver Side
1	Front Floor Liner – Passenger Side
1	Installation Instructions

Procedure

Front Liners

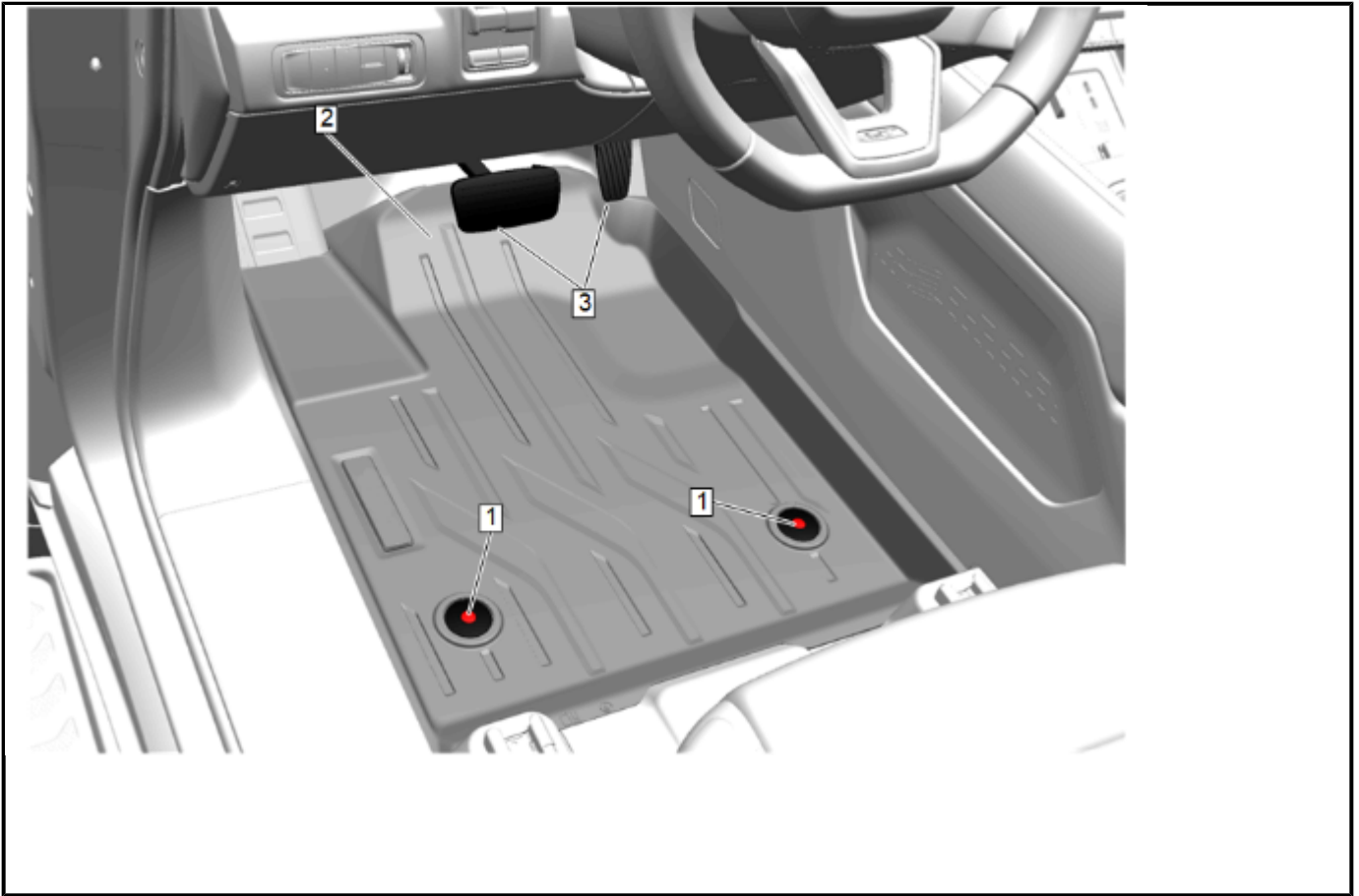
1. Move the front seats to rearward position.
2. Remove any current installed floor liners/mats from vehicle.



6275331

Note: Do not place floor liners over existing floor liners/mats.

3. Position the driver side floor liner (1) under the brake and accelerator pedals (4) while positioning the floor liner retainers (2) to the carpet retainers (3).



6275332

4. Secure the floor liner retainers to the carpet retainers (1) by pressing into position.
Note: Make sure the floor liner (2) does not interfere with the brake and accelerator pedals (3).
5. Install the passenger side floor liner to the passenger side floor while and press into position.