

# Cargo Lamp Kit Installation

## Installation Instructions Part Number

86805447

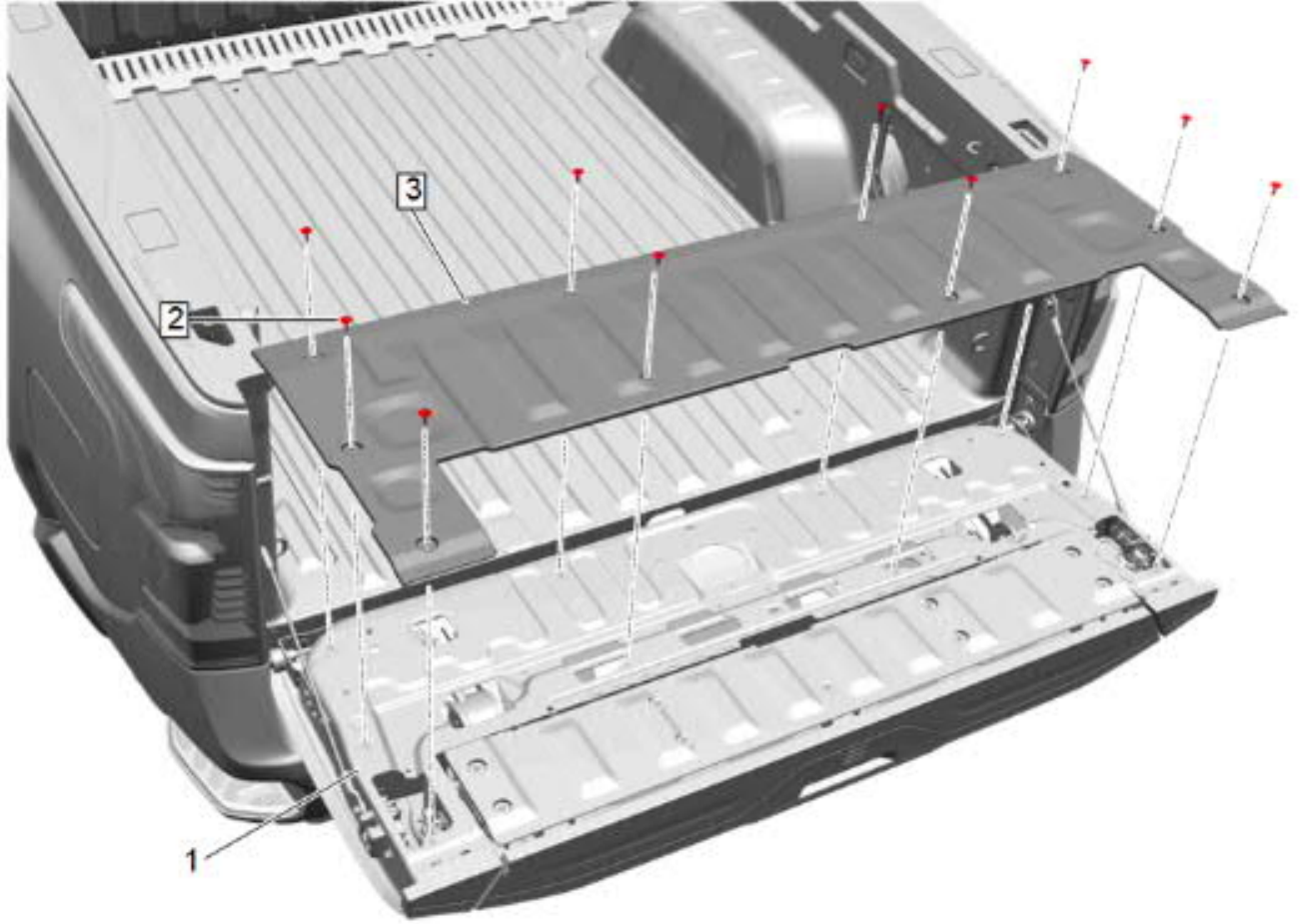
**Note:** This lighting kit is compatible with the Kicker Speaker System. Please reference the Kicker Speaker System installation instructions for lamp relocation/attachment to the Kicker Speaker System Bezels.

### Kit Contents

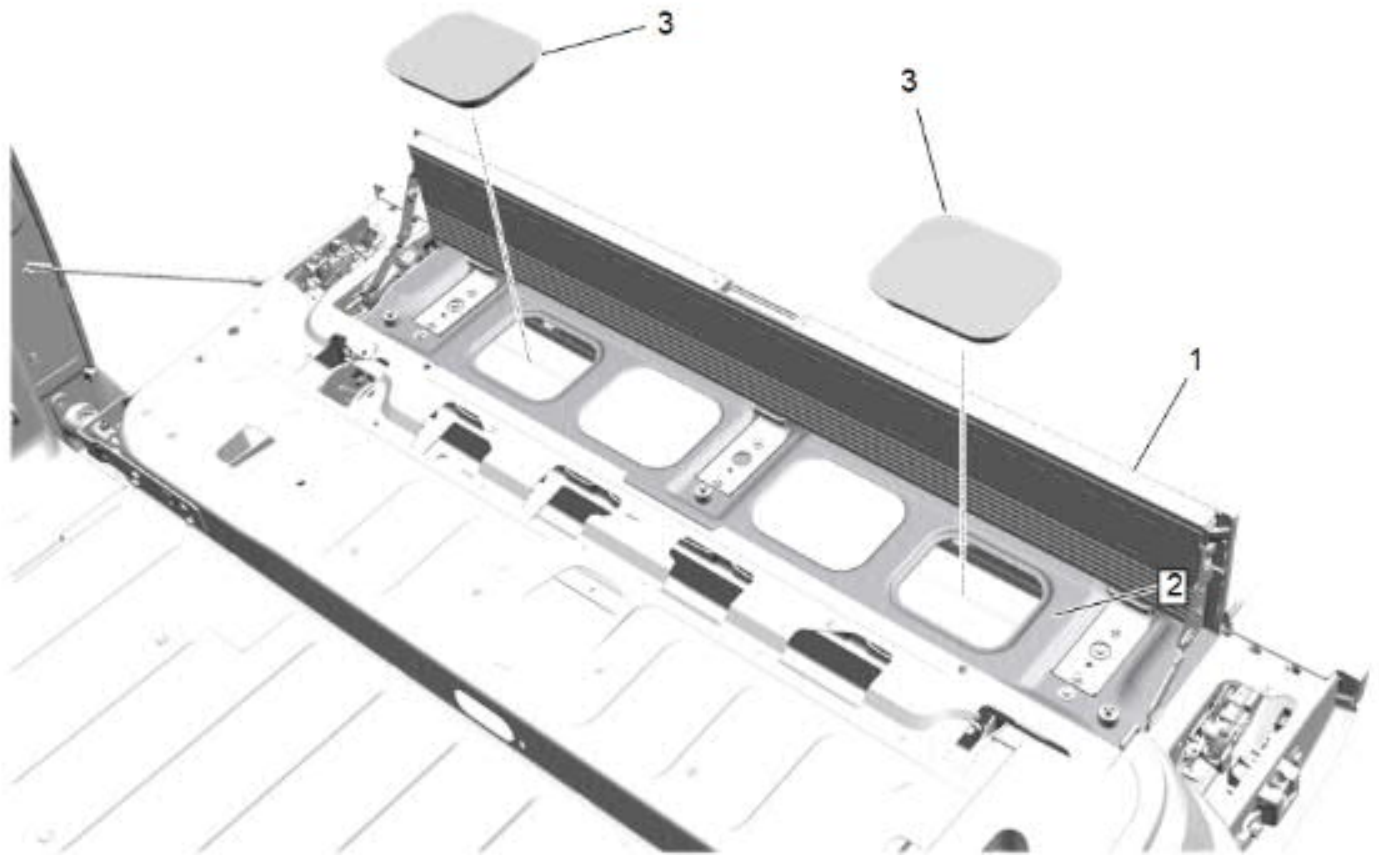
Qty	Description
2	Cargo Lamp (Endgate)
1	Cargo Lamp Endgate Wire Harness
1	Cargo Lamp Jumper Harness
10	Tie straps
1	Installation Instructions

### Procedure

1. Open endgate.

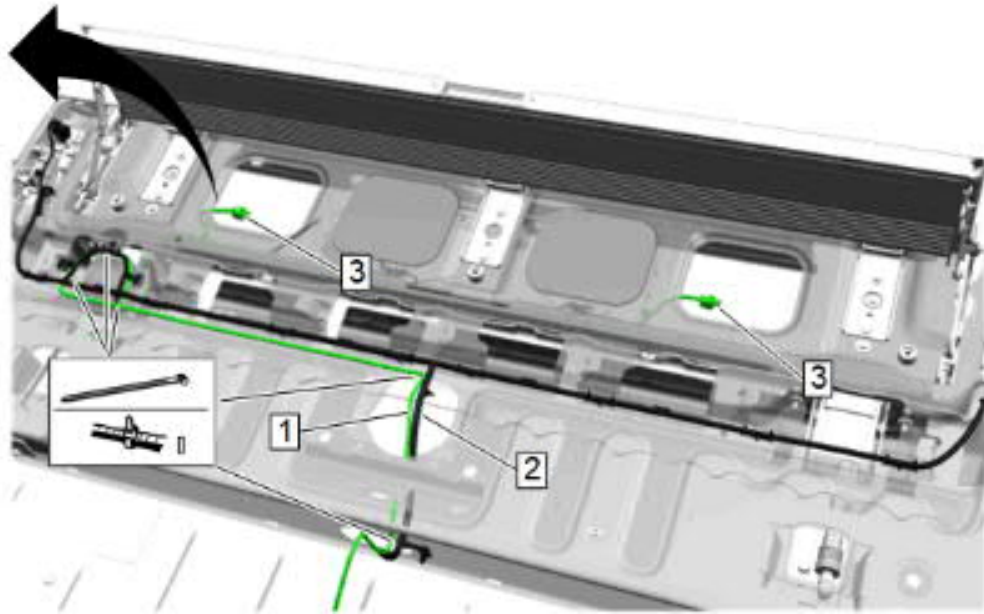
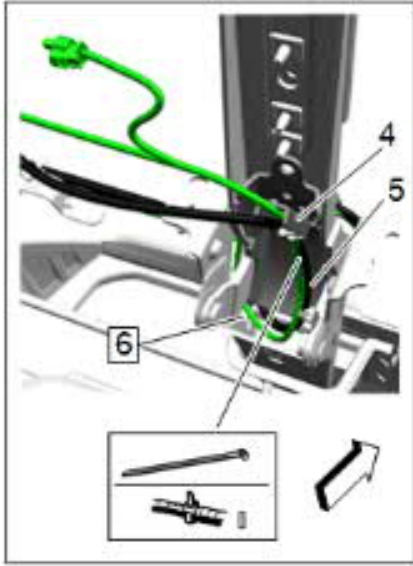


2. Remove the 10 fasteners (2) from the endgate panel (3).
3. Remove the endgate panel (3) from the endgate (1).

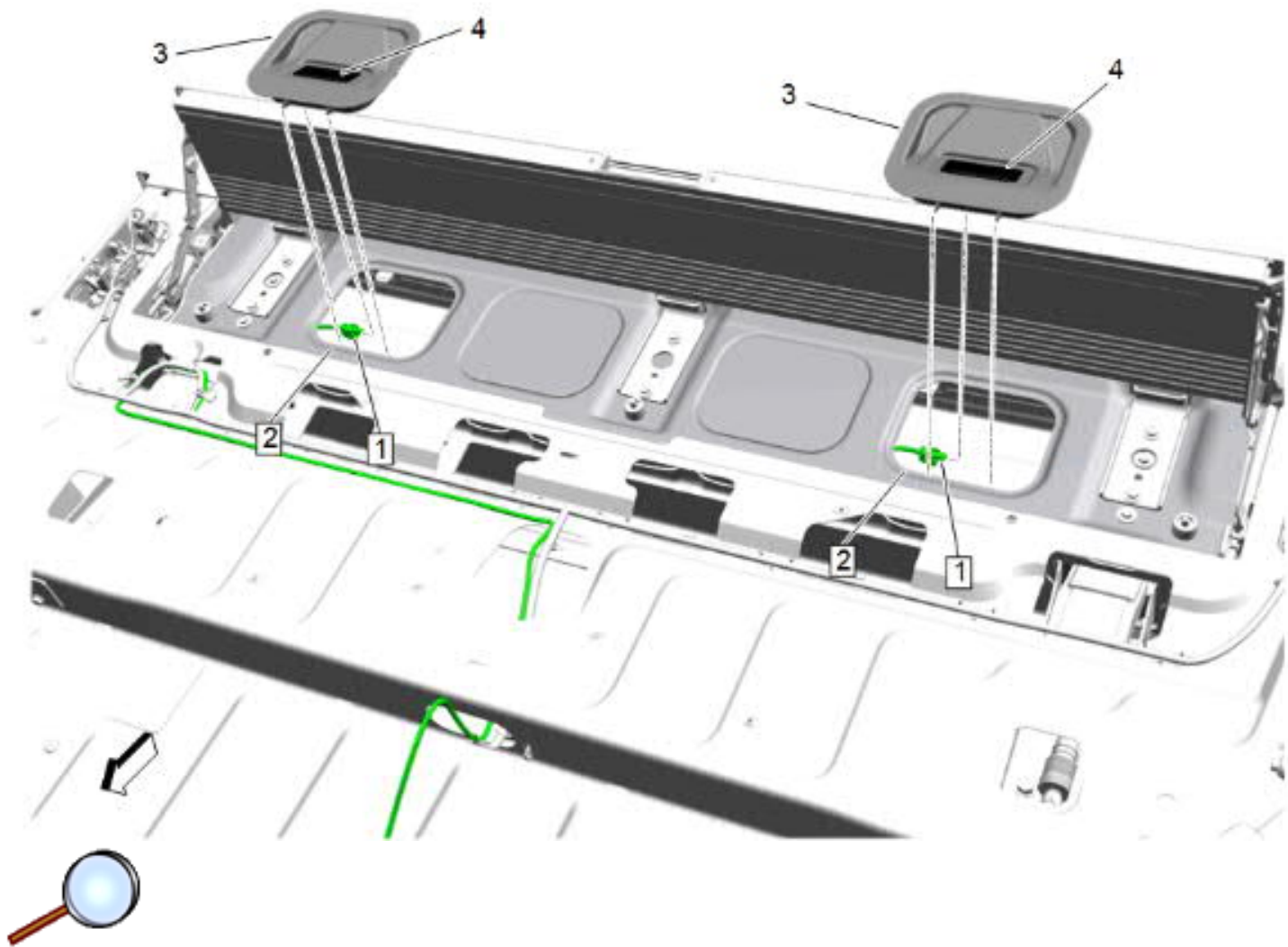


4. Open step (1) on endgate (2).

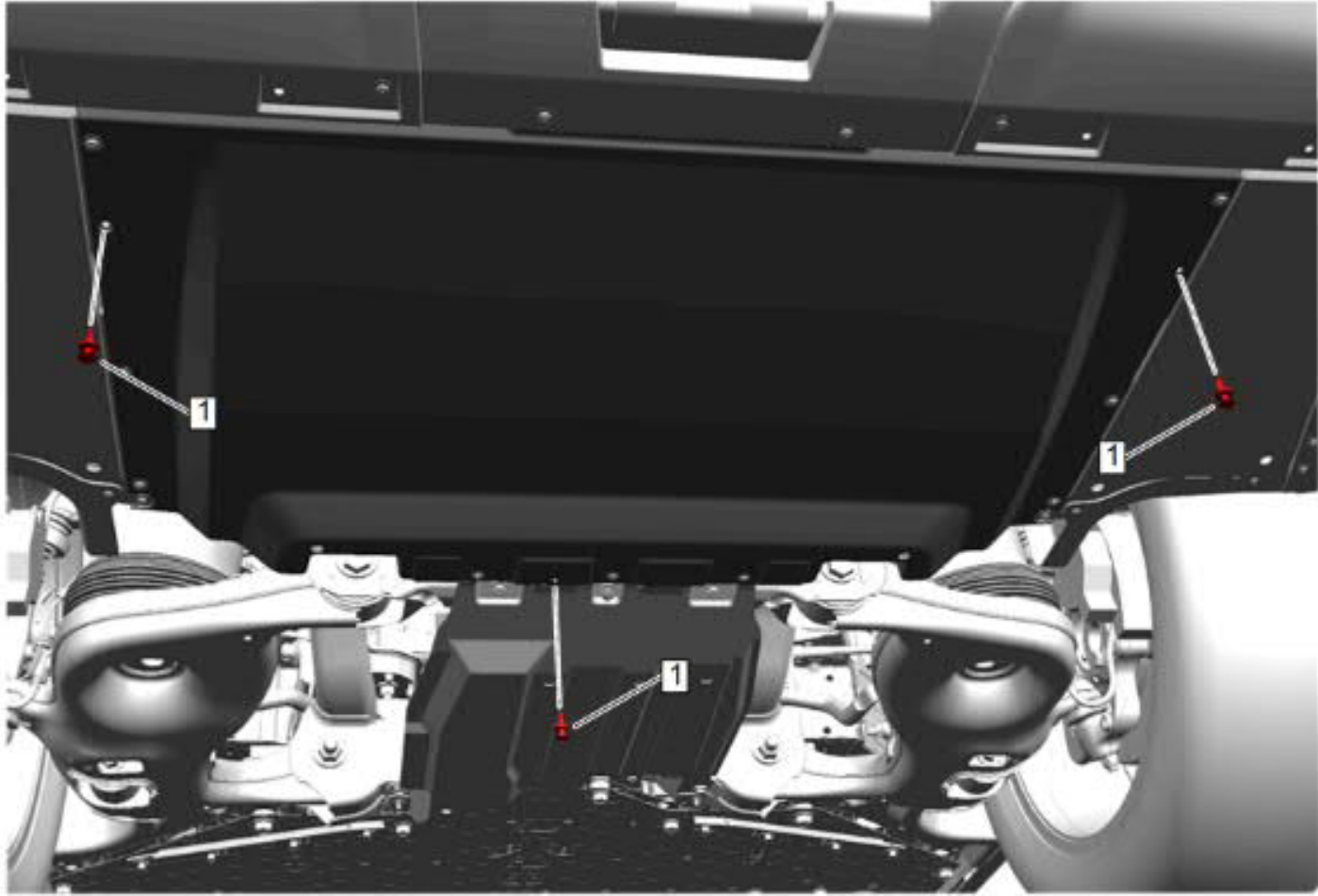
5. Using a suitable flat-bladed tool, remove the access hole covers (3) from endgate (2).



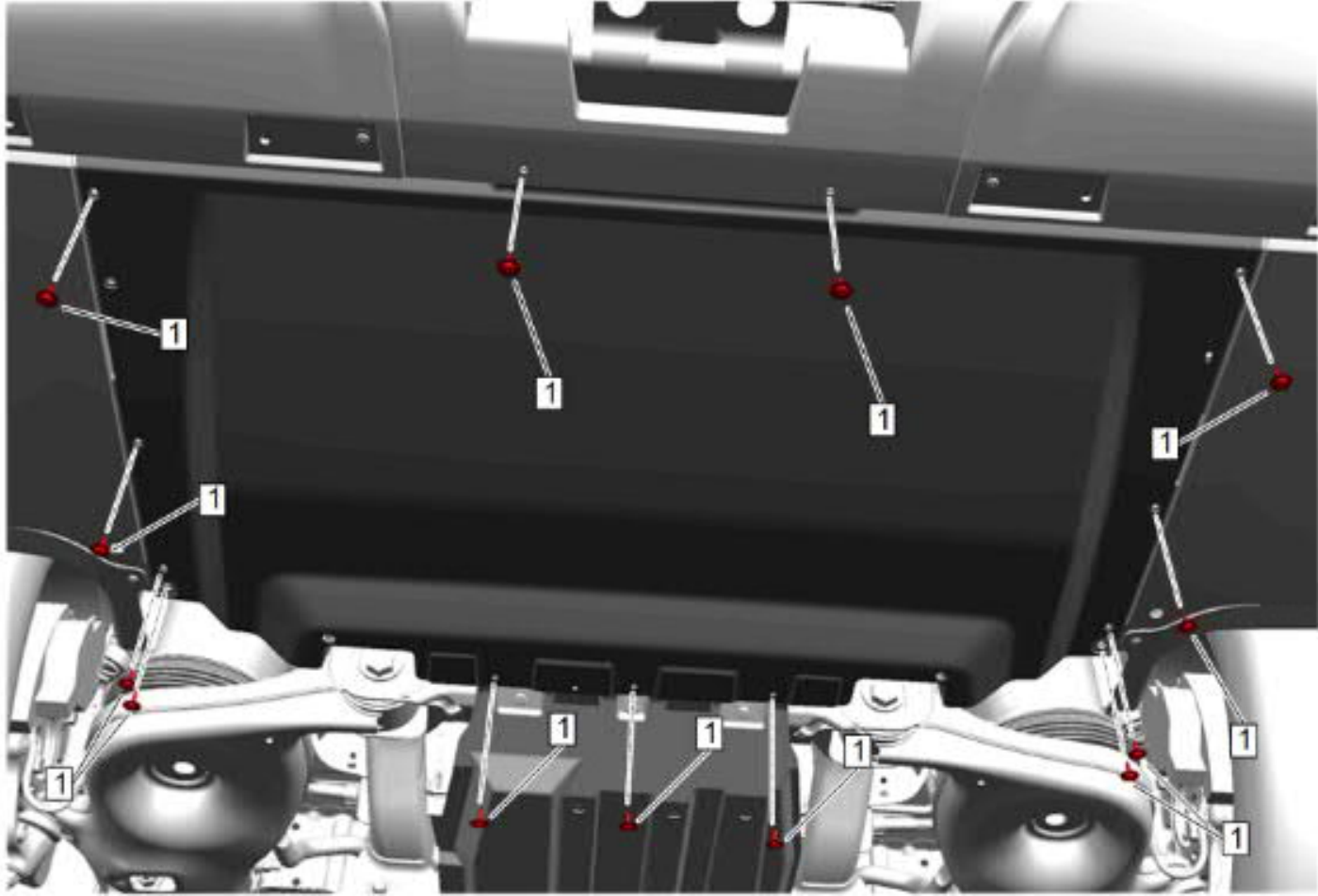
6. Route the endgate cargo lamp harness (1) inside and outside of the endgate along the endgate harness (2) making sure each endgate cargo lamp harness connector (3) appears in each access hole of endgate.
7. Secure the endgate cargo lamp harness (1) to the endgate harness (2) with tie straps as shown. Trim excess of tie straps.
8. On the inside of endgate, route cargo lamp harness (6) along endgate harness (5) as it exits the hinge channel bracket (4) and secure with tie strap. Trim excess off tie strap.
9. Route other connection end of endgate cargo lamp harness through access hole in lower bed panel behind endgate.



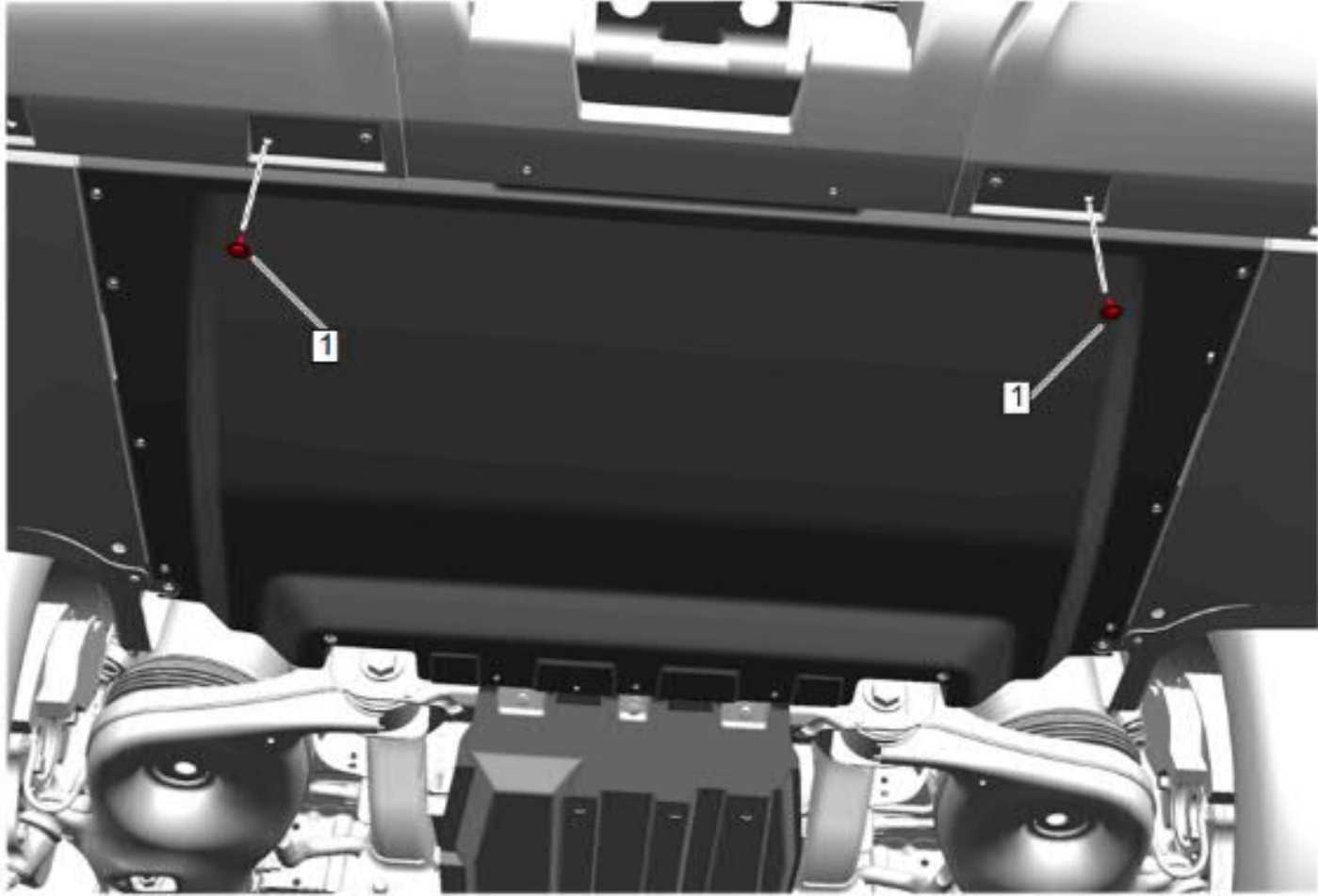
10. Position the endgate cargo lamp assemblies (3) to the endgate (2) with the lamps (4) facing the direction as shown.
11. Connect the electrical connectors (2) to the cargo lamp assemblies (3), making sure the CPA (connector position assurance) is engaged and install cargo lamp assemblies to the endgate (2).
12. Raise and support the vehicle. Refer to [Lifting and Jacking the Vehicle](#) in Vehicle Service Manual.



13. Underbody Rear Air Deflector Retainer (1) » Remove [3x]

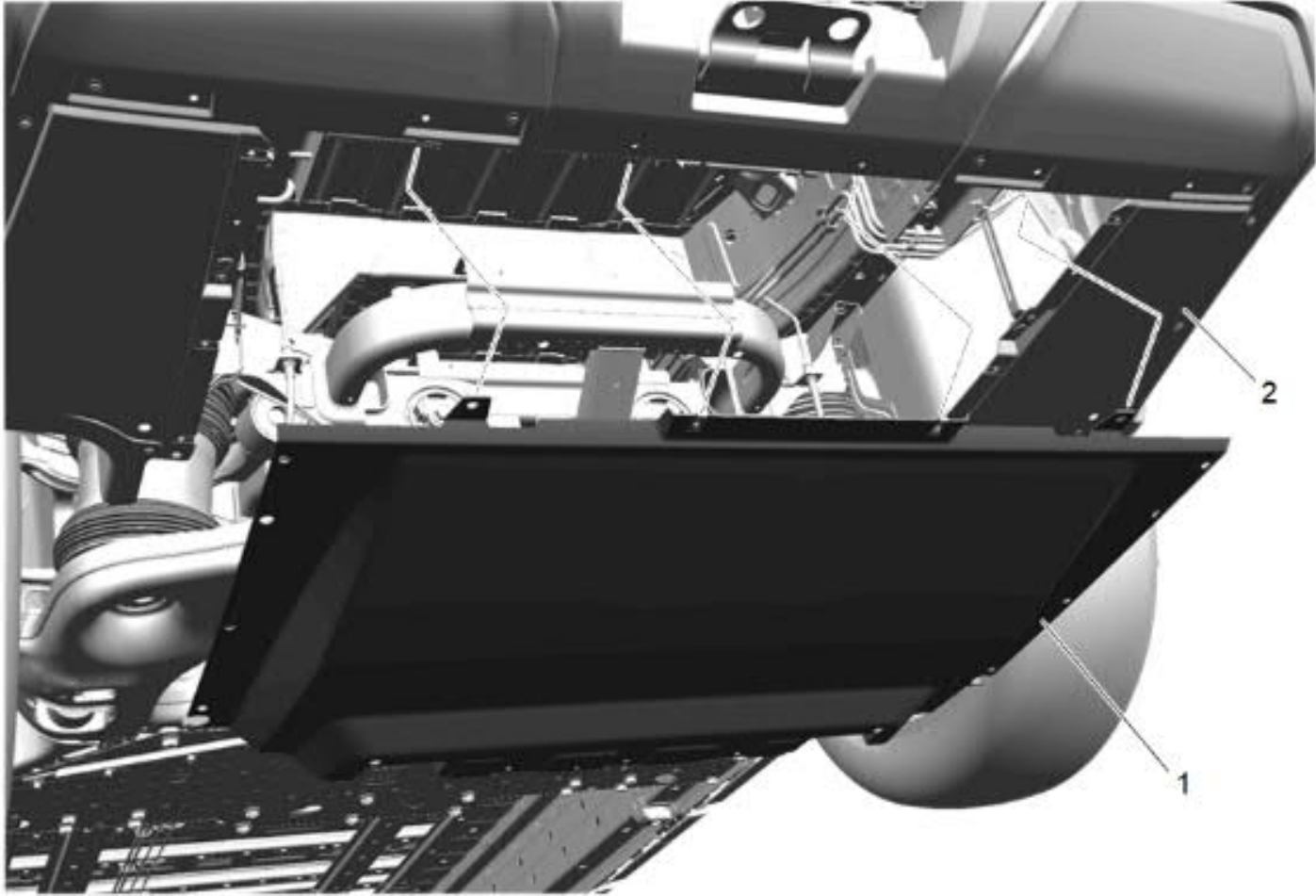


14. Underbody Rear Air Deflector Bolt (1) » Remove [13x]

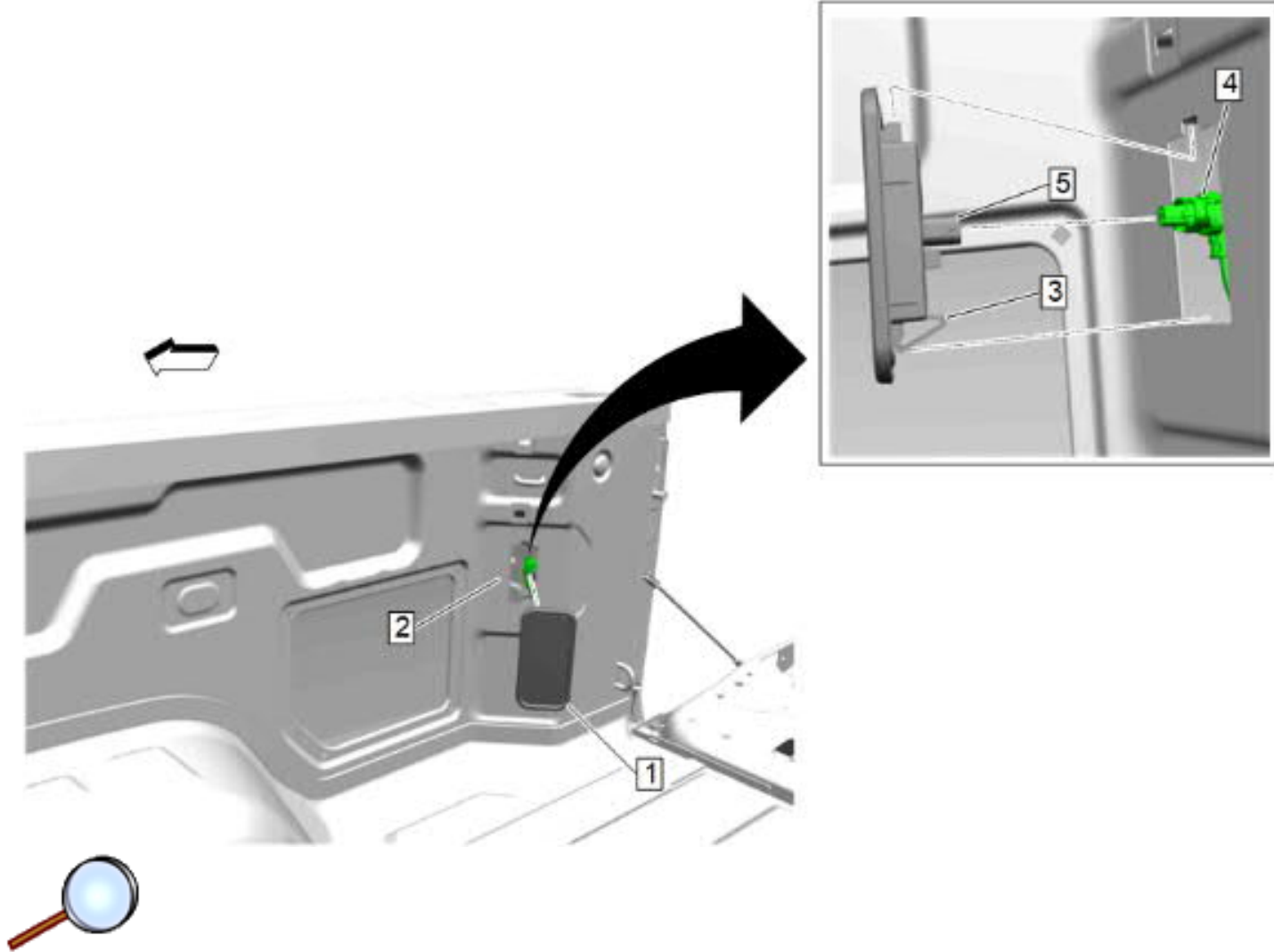


**Note:** These two bolts are hidden, make sure these are removed to avoid damaging the rear air deflector upon removal.

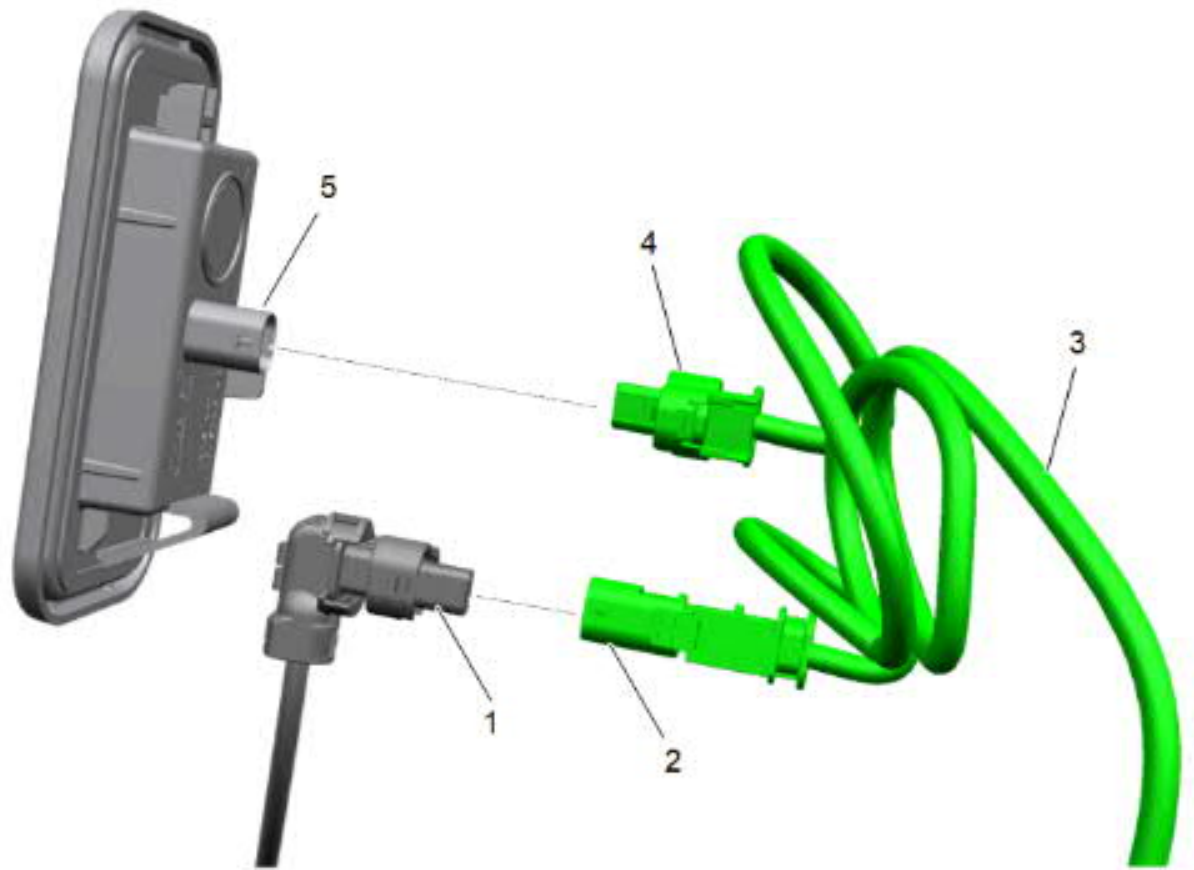
15. Underbody Rear Air Deflector Bolt (1) » Remove [2x]



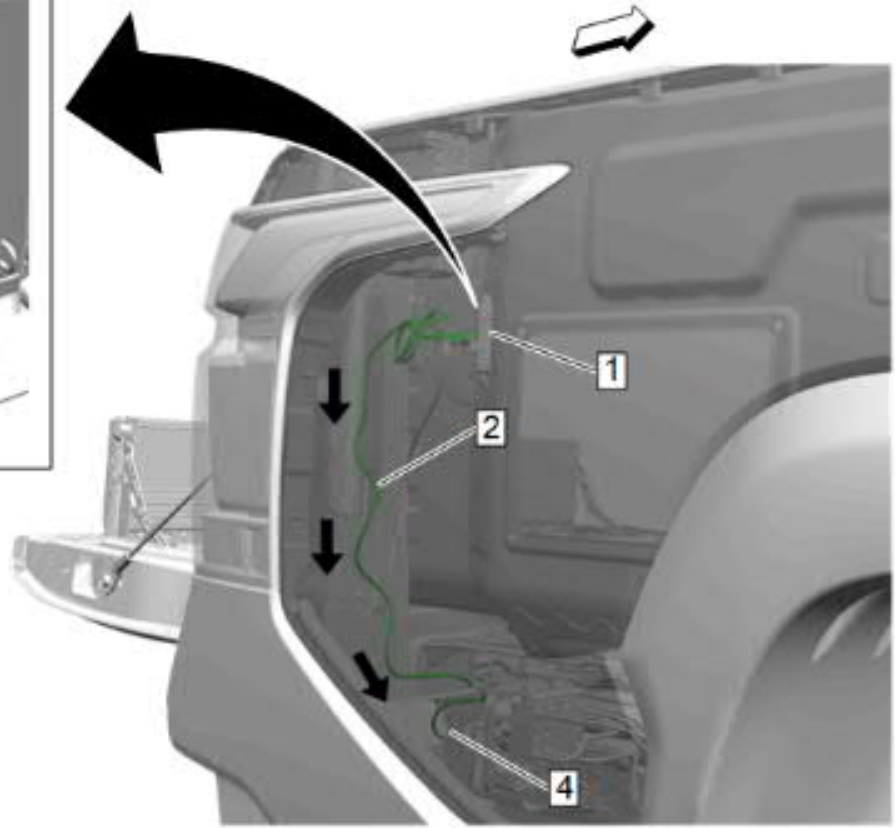
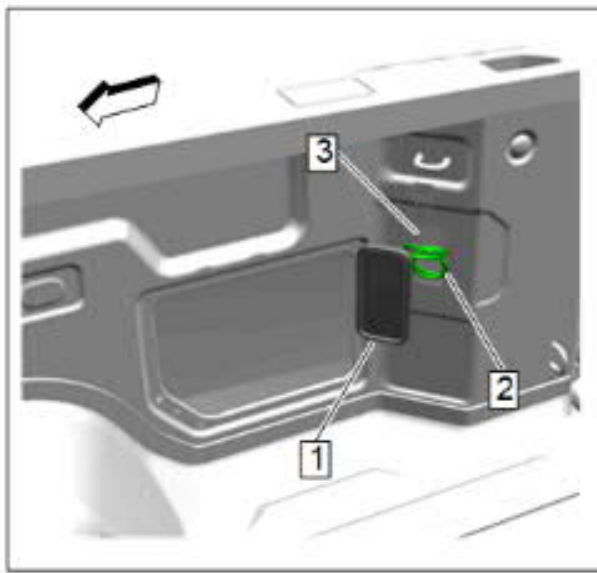
16. Remove the rear underbody air deflector (1) from inside the rear bumper fascia (2).
17. Lower the vehicle.



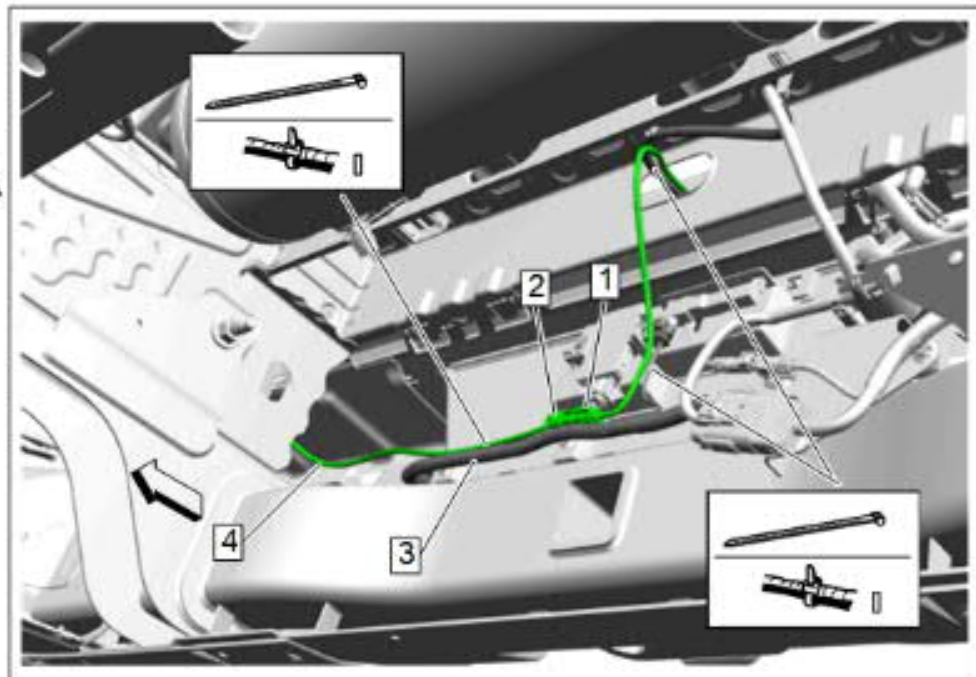
18. Using a suitable flat-bladed tool, disengage the tab (3) and remove the passenger side cargo lamp (1) from the bed (2). Disconnect the electrical connector (4) from cargo lamp (5).



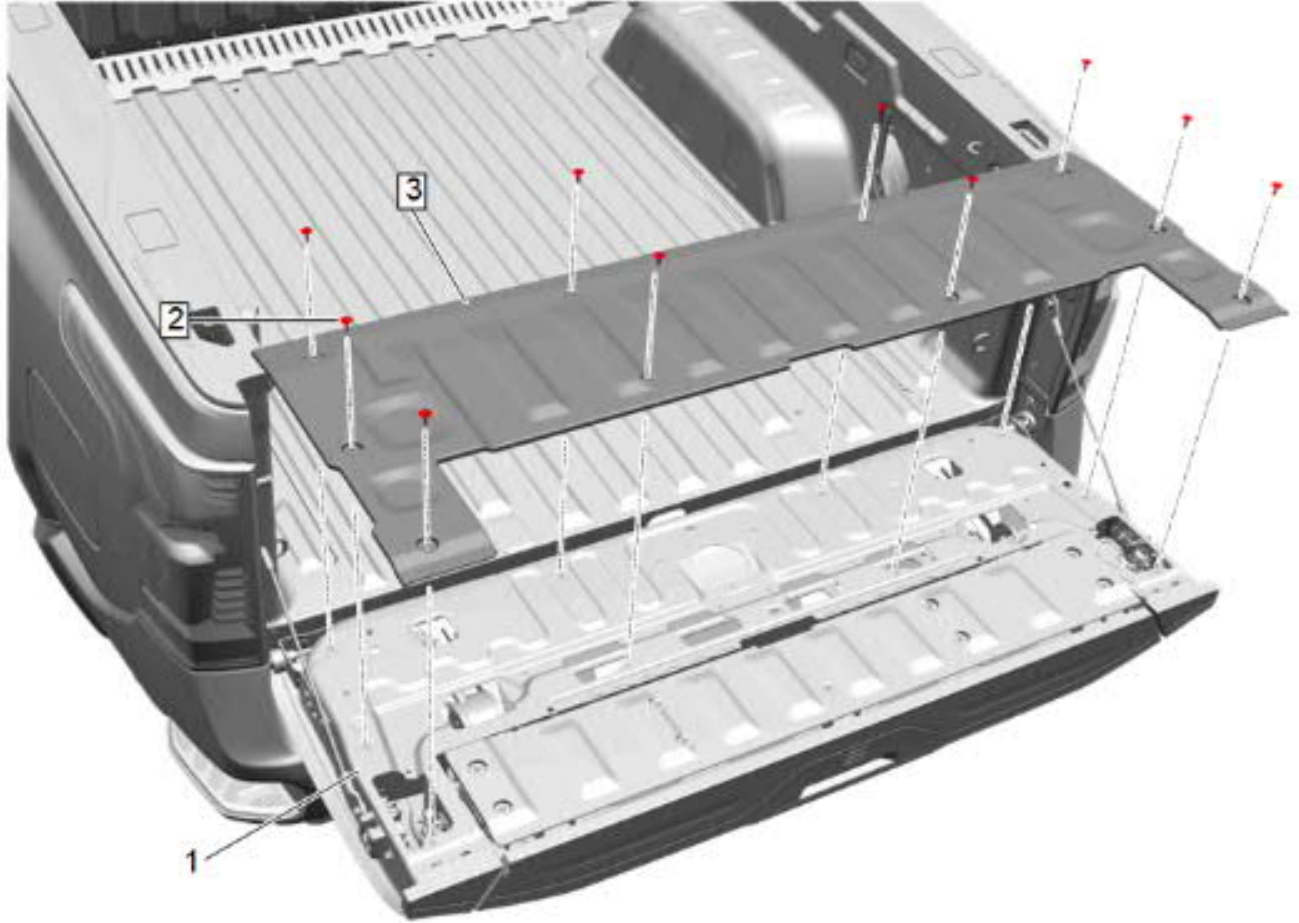
19. Locate the supplied jumper harness (3) and connect one end (4) of jumper harness to the previously removed passenger bedside cargo lamp (5), make sure the CPA (connector position assurance) is engaged.
20. Connect the other end (2) of cargo lamp jumper harness to the previously disconnected cargo lamp harness connector (1), make sure the CPA (connector position assurance) is engaged.



21. Route the cargo lamp jumper harness (2) through the passenger bedside cargo lamp opening (3), continue to route cargo lamp jumper harness down the passenger bedside inner panel through lower access hole (4).
22. Install the previously removed passenger bedside cargo lamp (1) to the passenger bedside (2).



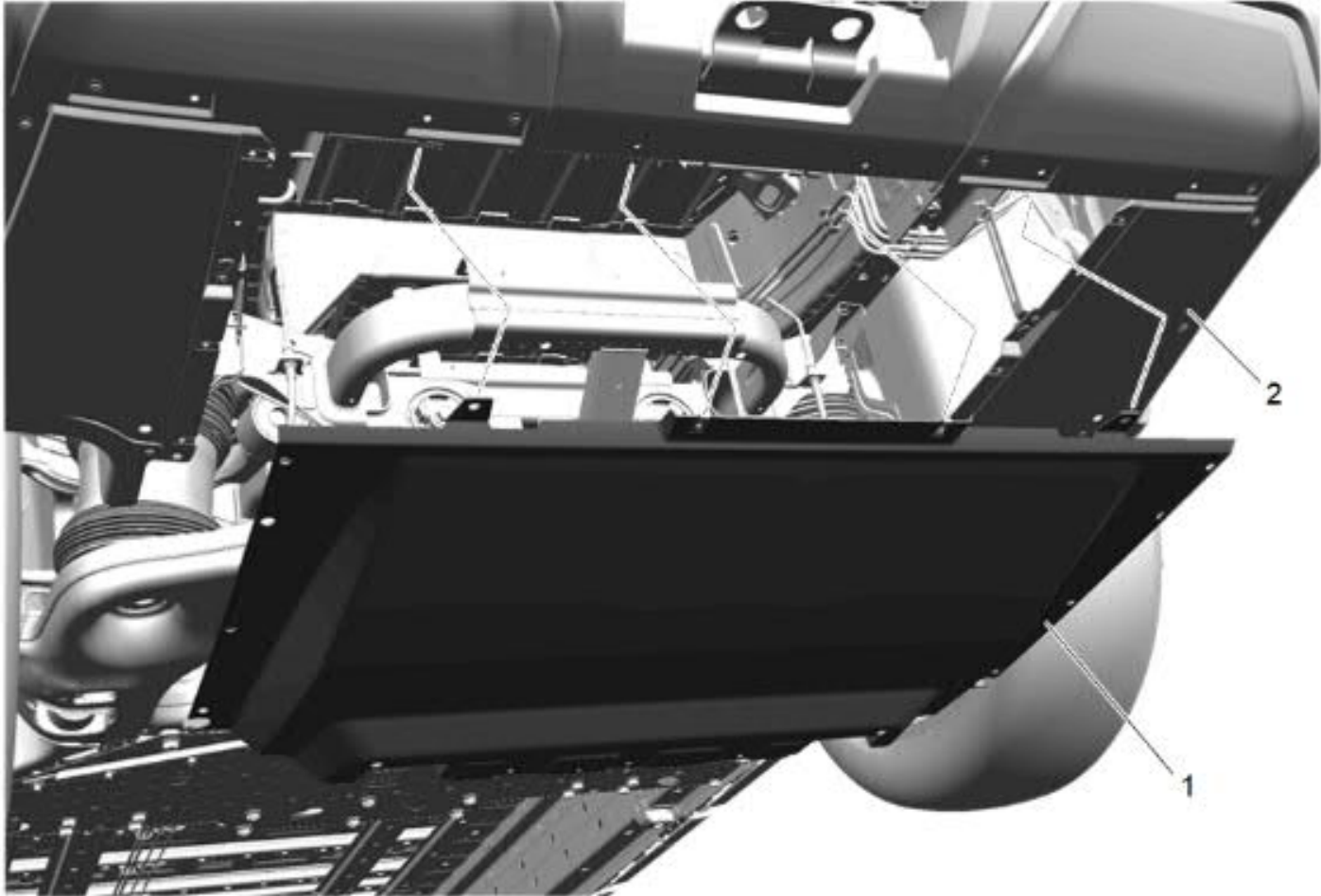
23. Once the cargo lamp jumper harness is routed through the lower access hole, route harness (4) along rear bumper fascia harness (3) and connect the jumper harness connector (2) to the endgate cargo lamp harness connector (1), make sure the CPA (connector position assurance) is engaged.
24. Secure the cargo lamp jumper harness and endgate lamp harness to the rear bumper fascia harness with supplied tie straps. Trim excess of tie straps.
25. Test the function of inner bed and endgate cargo lamps by pressing the cargo lamp switch on instrument panel.



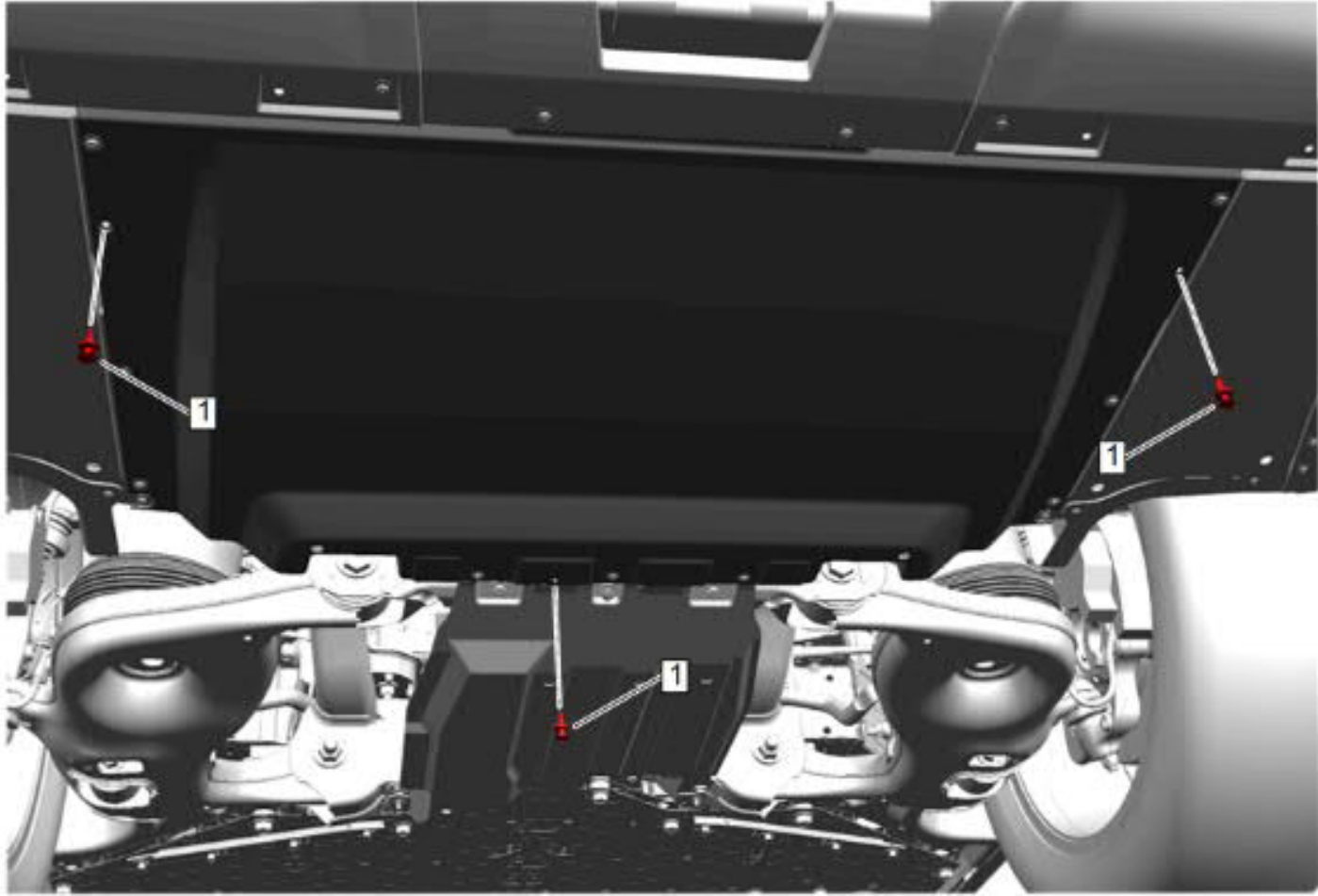
26. Close the endgate rear step.
27. Install the endgate panel (3) to the endgate (1).

**Caution:** Use the correct fastener in the correct location. Replacement fasteners must be the correct part number for that application. Fasteners requiring replacement or fasteners requiring the use of thread locking compound or sealant are identified in the service procedure. Do not use paints, lubricants, or corrosion inhibitors on fasteners or fastener joint surfaces unless specified. These coatings affect fastener torque and joint clamping force and may damage the fastener. Use the correct tightening sequence and specifications when installing fasteners in order to avoid damage to parts and systems.

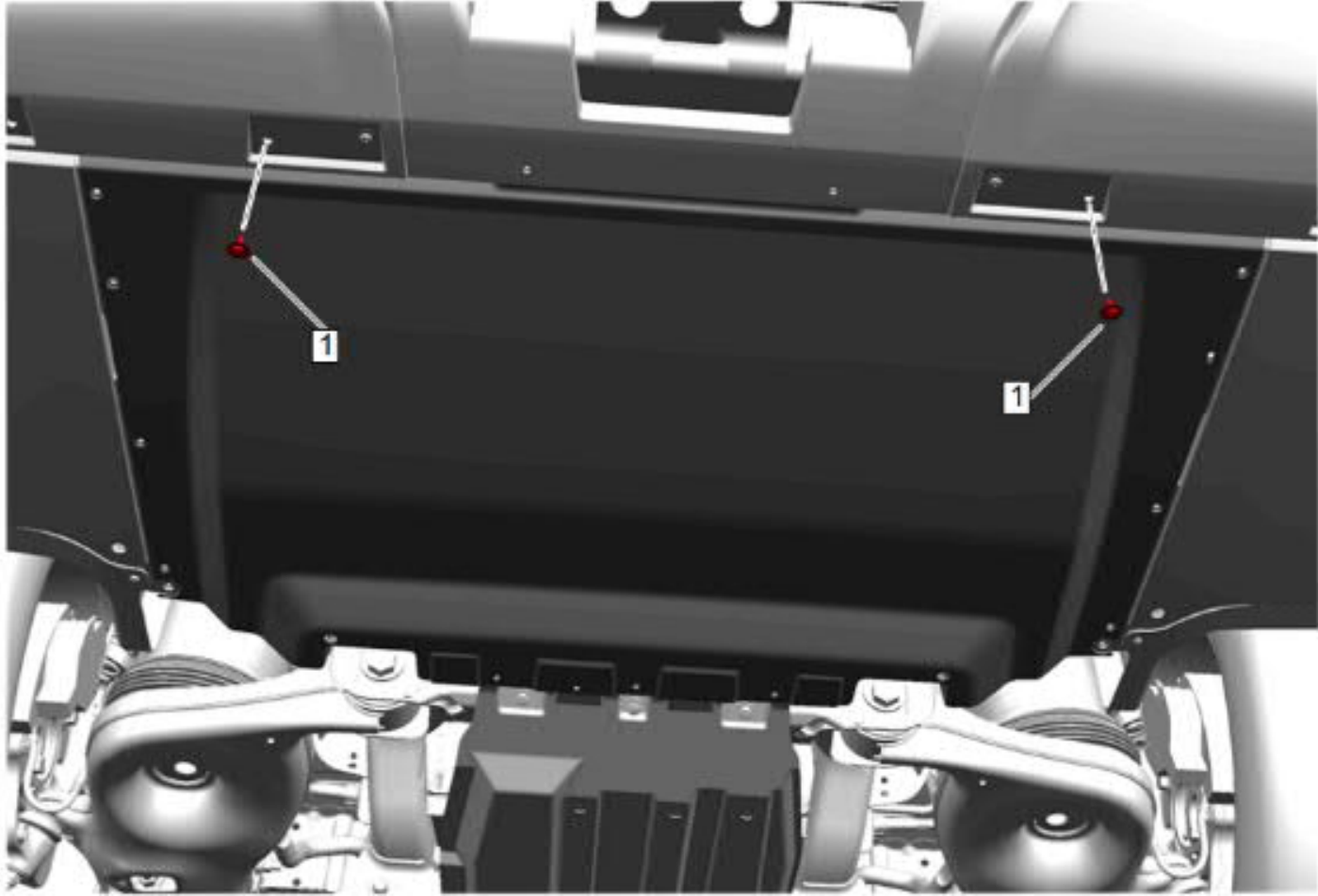
28. Install the 10 fasteners (2) to the endgate panel (3). Tighten the fasteners to 2.5 N.m (22 lb in).
29. Close the endgate.
30. Raise and support the vehicle. Refer to [Lifting and Jacking the Vehicle](#) in Vehicle Service Manual.



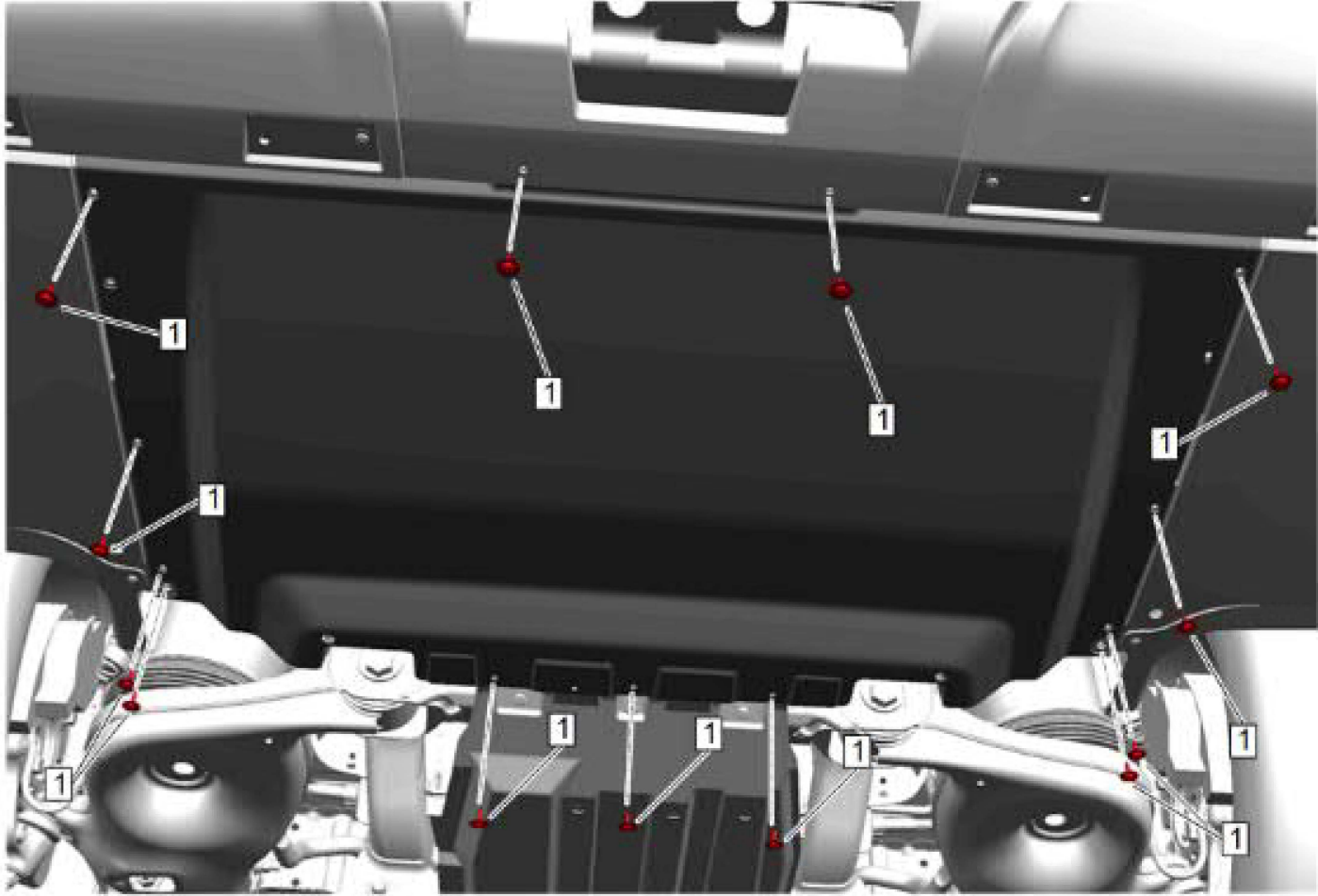
31. Re-install the rear underbody air deflector (1) by holding it by the forward edge and then slide it rearward while guiding it to the inside the rear bumper fascia (2).



32. Underbody Rear Air Deflector Retainer (1) » Install [3x]



33. Underbody Rear Air Deflector Bolt (1) » Install and tighten [2x] — Tighten to 2.5 N.m (22 lb in).



- 34. Underbody Rear Air Deflector Bolt (1) » Install and tighten [13x] — Tighten to 2.5 N.m (22 lb in).
- 35. Lower vehicle.

GREEN - PRODUCTION PARTS  
BLUE - ACCESSORY PARTS

### Cargo Lamp Wiring Diagram

