

Body Emblem Package Installation

Installation Instructions Part Number

87823391

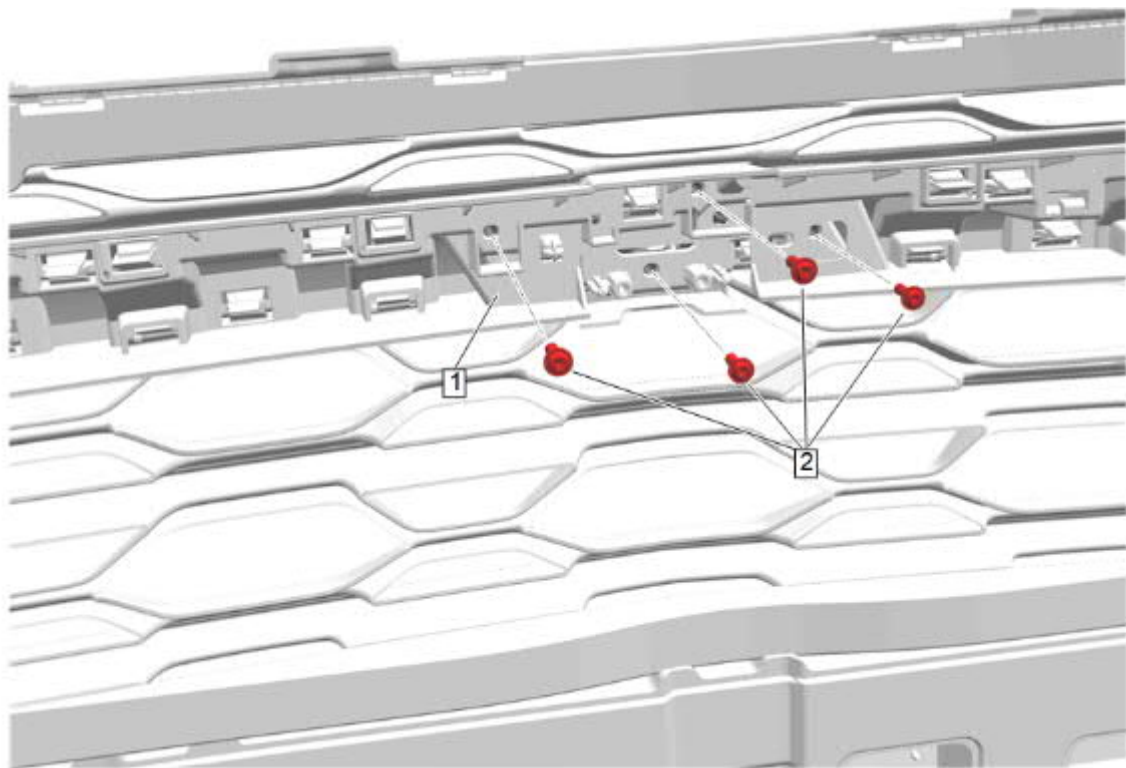
Kit Contents

Qty	Description
1	Illuminated Emblem Assembly Bow Tie – Front
1	Harness Package
1	Emblem Assembly Bow Tie (Black) – Rear
1	Alcohol Wipe
1	Installation Instructions

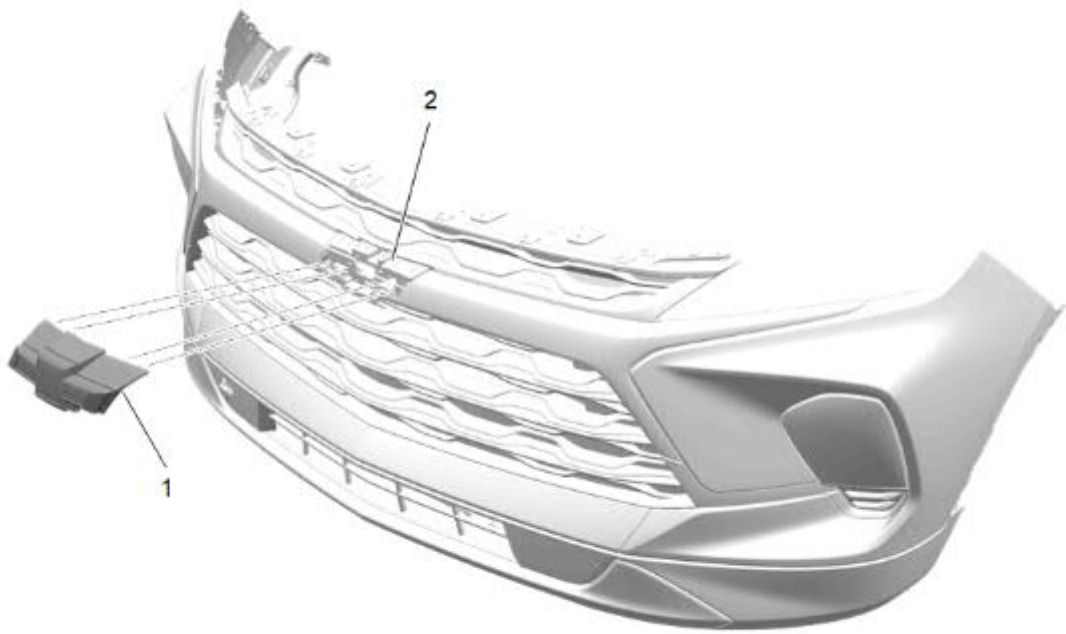
Procedure

Front Bow Tie Emblem Replacement

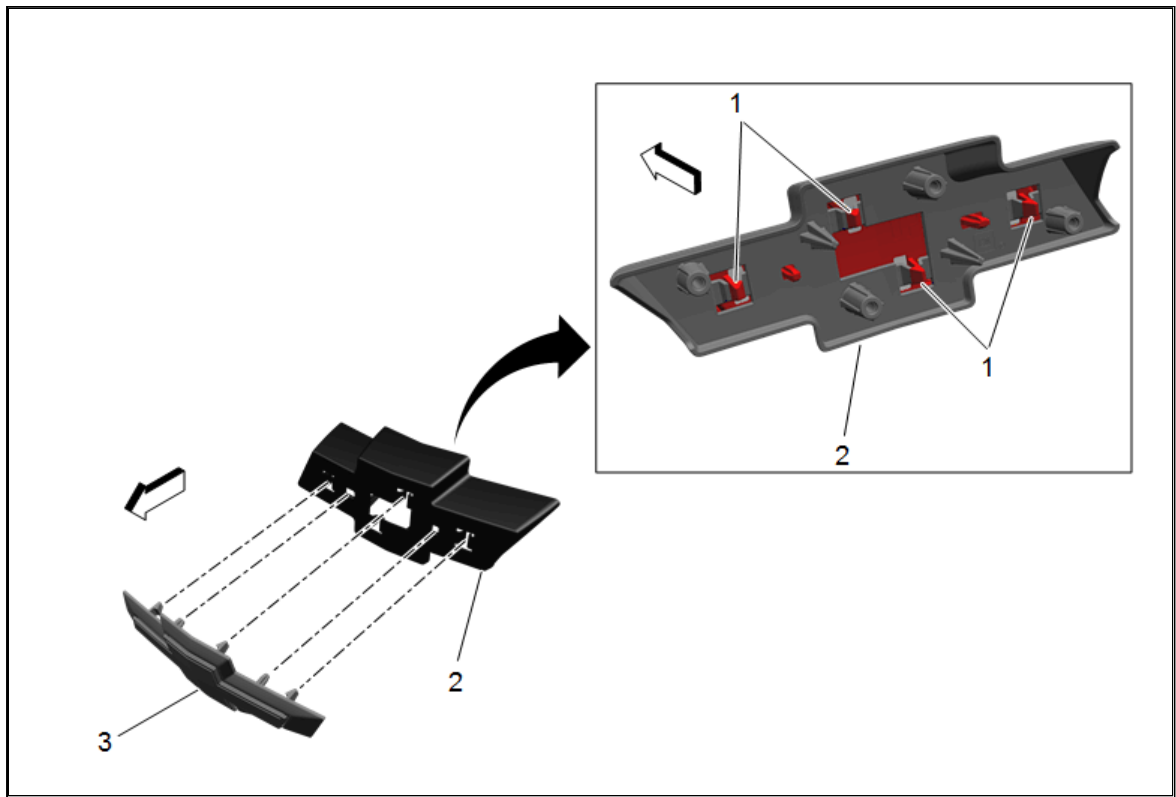
1. Read all instructions before performing procedure.
2. Inspect kit to verify all parts are included.
3. Turn off the vehicle.
4. Open the hood.
5. Remove the front bumper fascia from vehicle. Refer to [Front Bumper Fascia Removal and Installation](#) in Vehicle Service Manual.



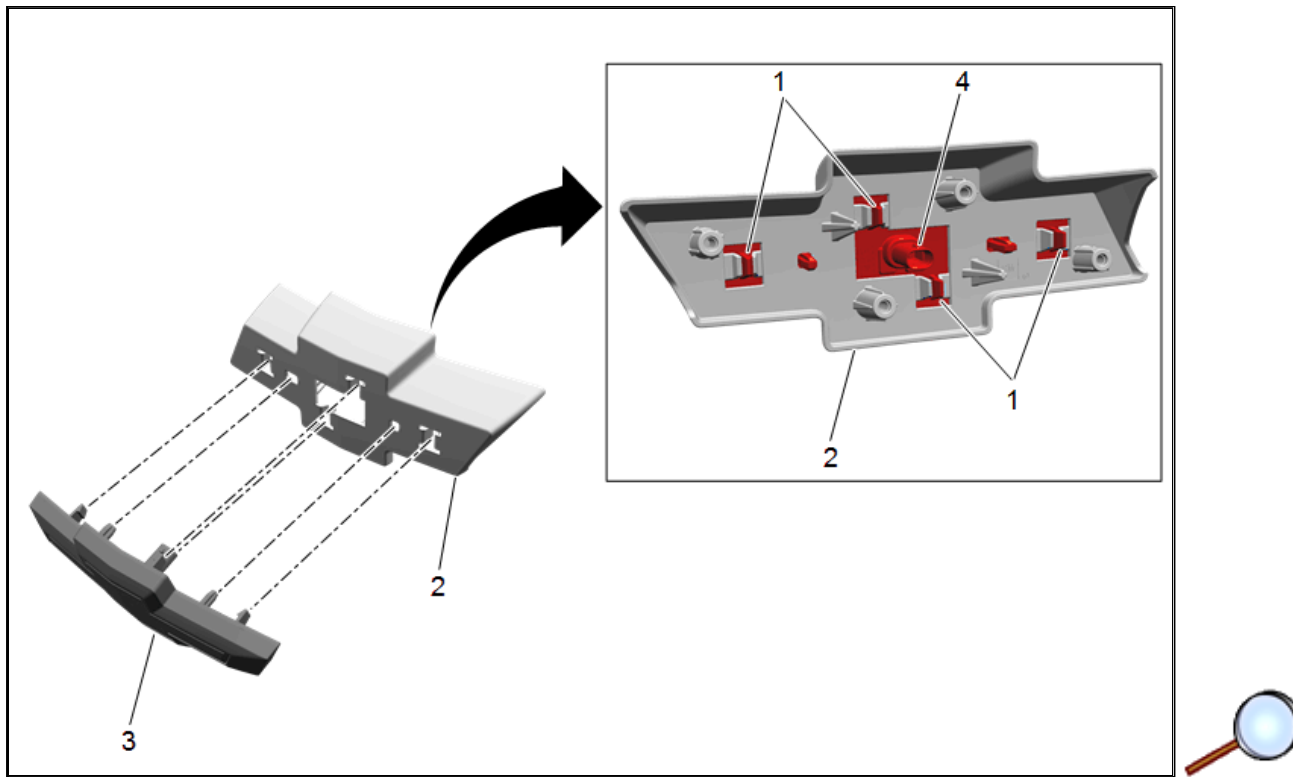
6. On the backside of the grille assembly (1) remove and retain the screws (2) securing the emblem adaptor.



7. Remove the production bowtie emblem with adaptor (1) from grille assembly (2).

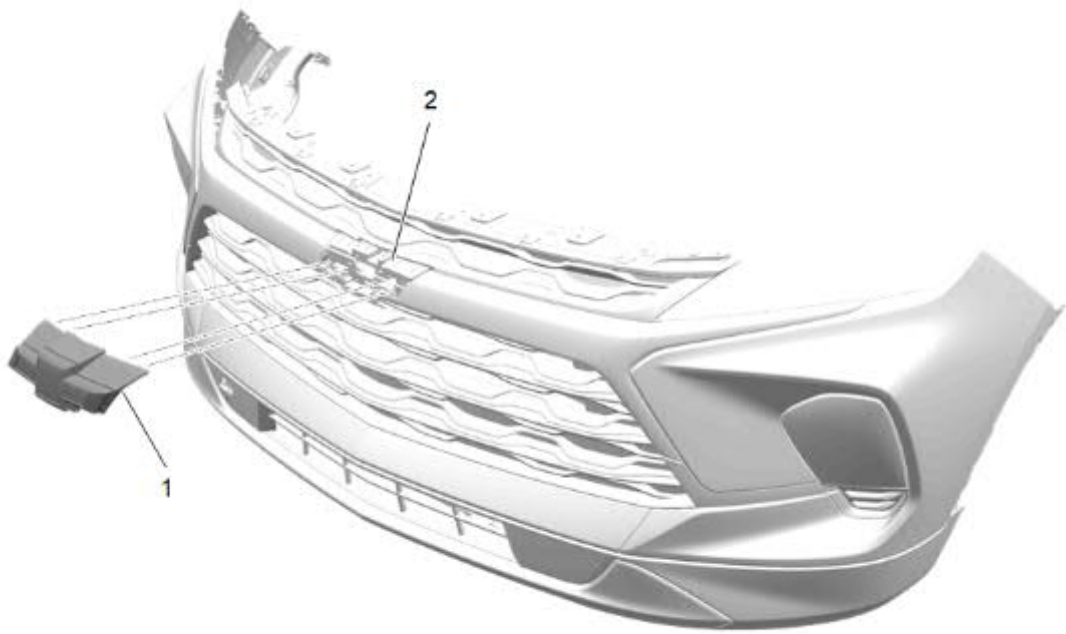


8. Disengage the retaining tabs (1) and remove the production bowtie emblem (3) from the emblem adaptor (2).

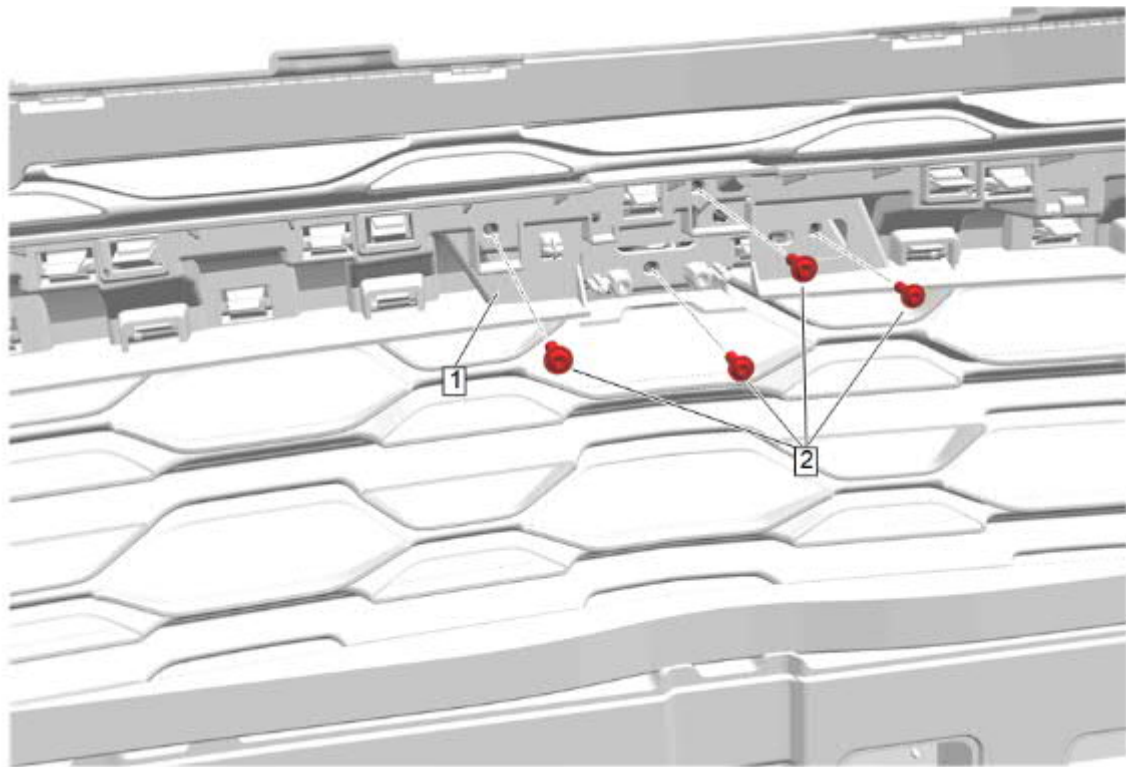


9. Install the illuminated bowtie emblem (3) to the emblem adaptor (2) applying enough evenly distributed pressure to engage the retention tabs (1).

Note: Wiggle the retention tabs (1) to make sure they are fully engaged.

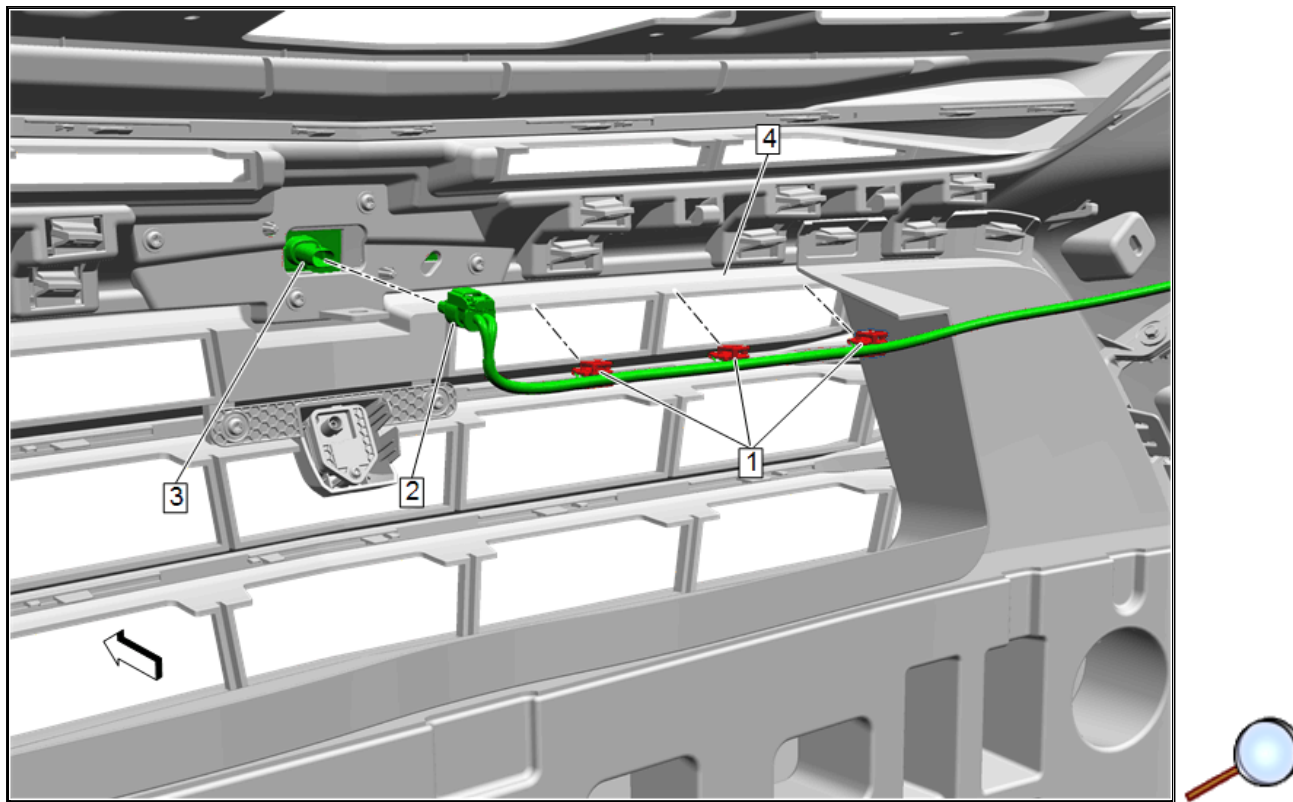


10. Install the illuminated bowtie emblem with adaptor (1) to the grille assembly (2).

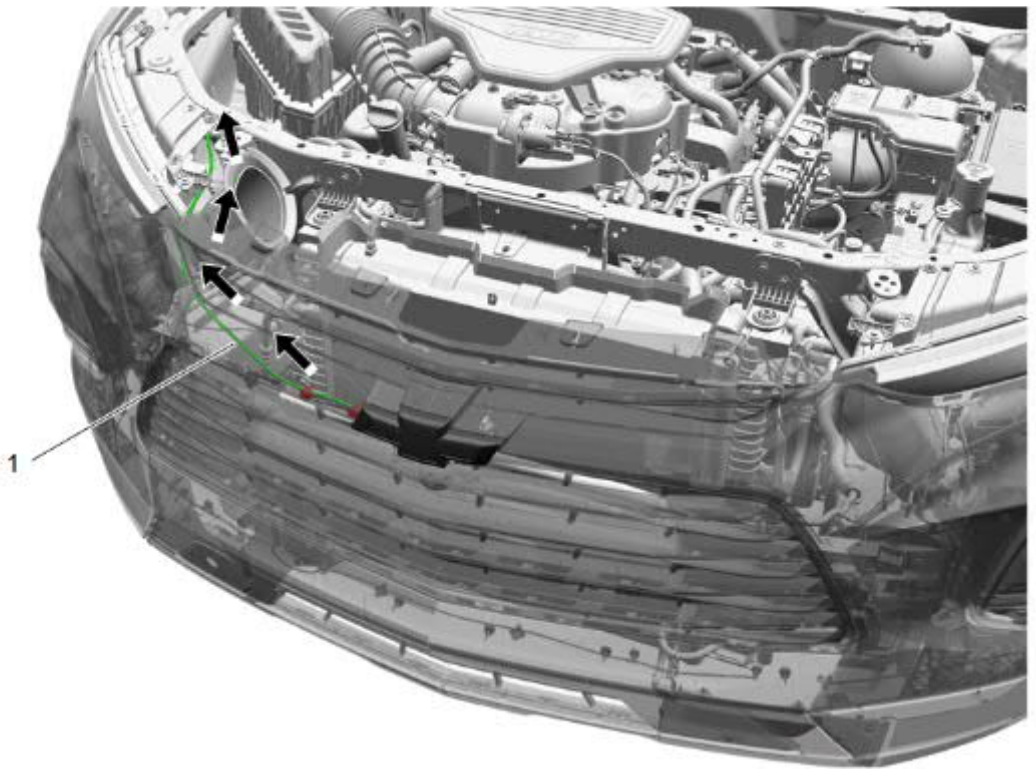


Caution: Use the correct fastener in the correct location. Replacement fasteners must be the correct part number for that application. Fasteners requiring replacement or fasteners requiring the use of thread locking compound or sealant are identified in the service procedure. Do not use paints, lubricants, or corrosion inhibitors on fasteners or fastener joint surfaces unless specified. These coatings affect fastener torque and joint clamping force and may damage the fastener. Use the correct tightening sequence and specifications when installing fasteners in order to avoid damage to parts and systems.

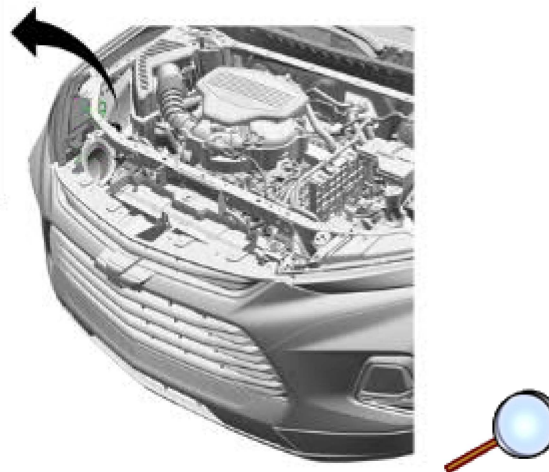
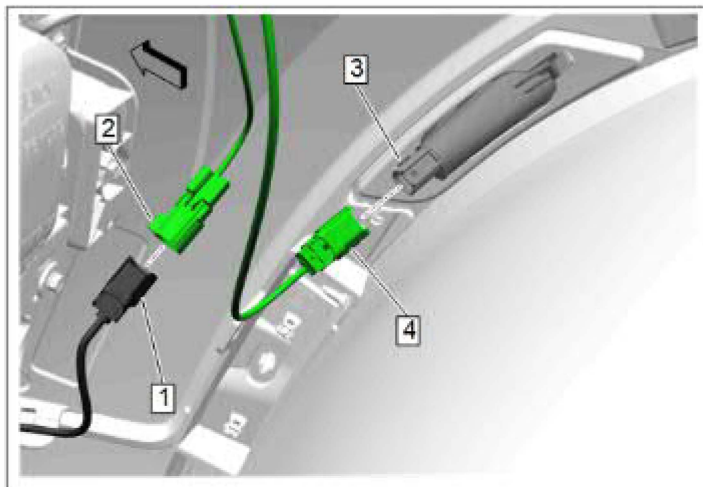
11. On the backside of the grille assembly (2) install the previously retained screws (2) securing the emblem adaptor. Tighten the screws to 2.5 N.m (22 lb in).



12. Position the front fascia assembly to the vehicle.
13. Connect the single connector end of harness (2) to the illuminated bowtie emblem (3).
14. Secure harness to grille (4) with supplied cable ties, apply cable ties to existing clip attachments (1), route harness towards passenger side.

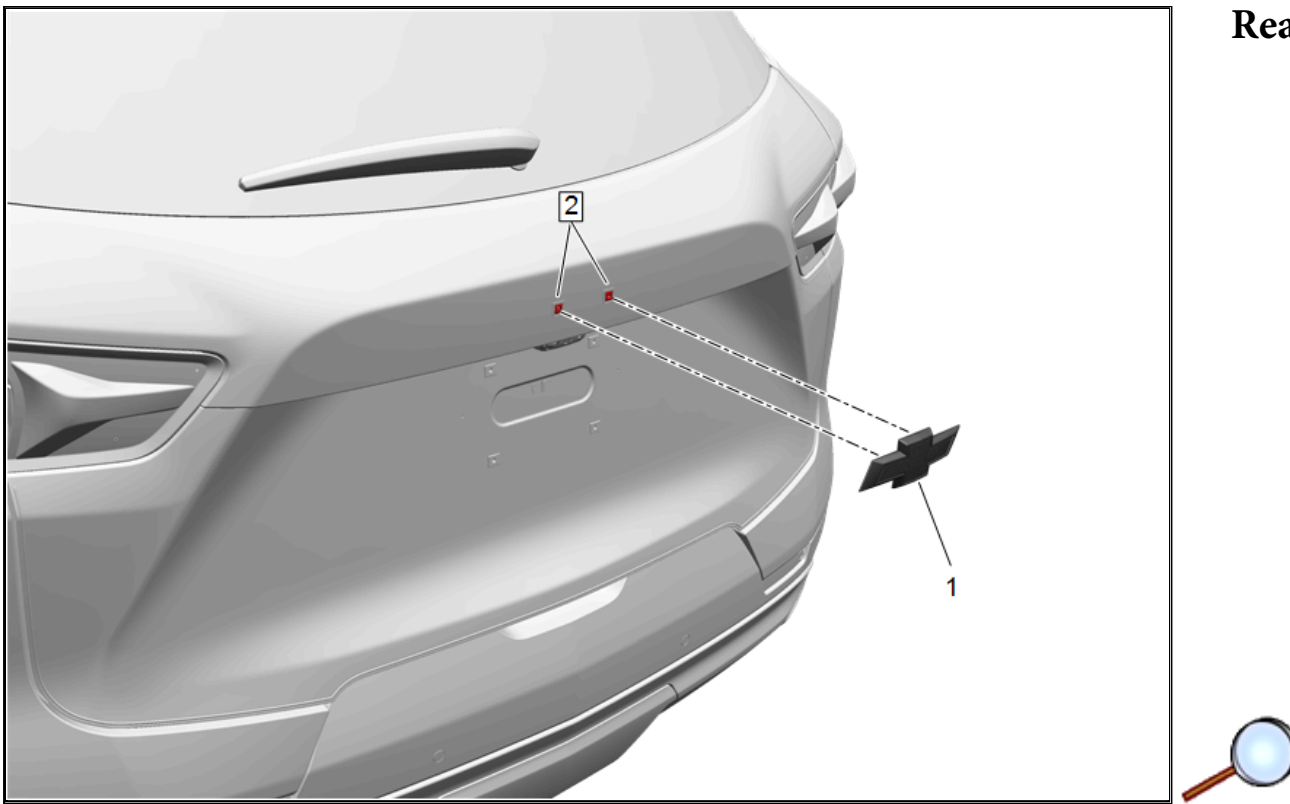


15. Continue to route harness (1) behind front bumper fascia to the passenger side marker lamp assembly.



16. Disconnect the passenger side harness connector (1) from the passenger side marker lamp (3).
 17. Connect one end of the accessory harness (4) to the passenger side marker lamp (3).
 18. Connect the other end of accessory harness (2) to the previously disconnected side marker lamp harness connector (1).
- Note:** Make sure to push the RED CPA (connector position assurance) after making both connections.
19. Use provided cable ties to secure accessory harness to the alarm front harness.
 20. Reposition and re-install the front bumper fascia. Refer to [Front Bumper Fascia Removal and Installation](#) in Vehicle Service Manual.
 21. Test and confirm front lighting operation (headlamp fog lamp and illuminated emblem).
 22. Close the hood.

Rear Bow Tie Emblem Replacement



Note: If the vehicle is already equipped with a rear black bowtie emblem, there is no need to replace emblem.

Caution: DO NOT use heat gun to remove emblems from any plastic part or around any plastic part. Applying heat to liftgate/Tailgate/Applique may damage the finish of the Applique or Latch Bezel or other surrounding plastic parts resulting in replacing the Applique or Latch Bezel or other surrounding plastic parts.

1. Using a suitable plastic flat bladed tool, disengage the retainers on the production bowtie emblem (1) from the grommets and remove from liftgate.
2. Position black bowtie emblem (1) to the grommets (2) on liftgate making sure retainers are engaged.