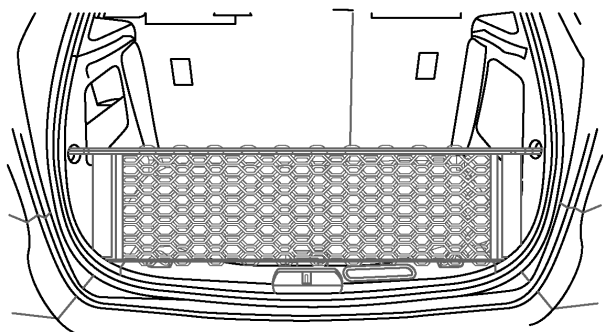


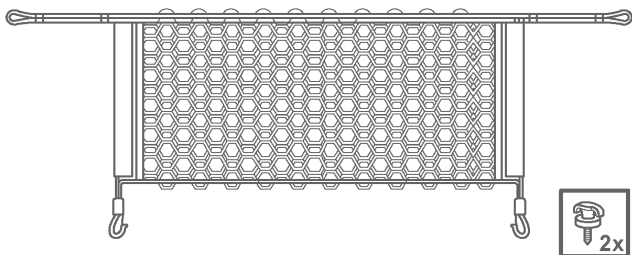
Convenience Net Package Installation

[Installation Instructions Part Number](#)

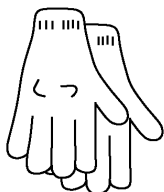
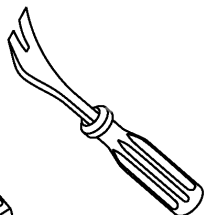
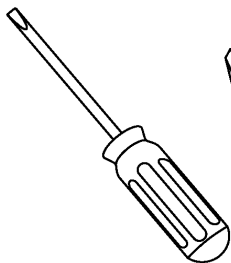
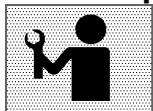
95083033



Kit Contents



Tools Required



Procedure

