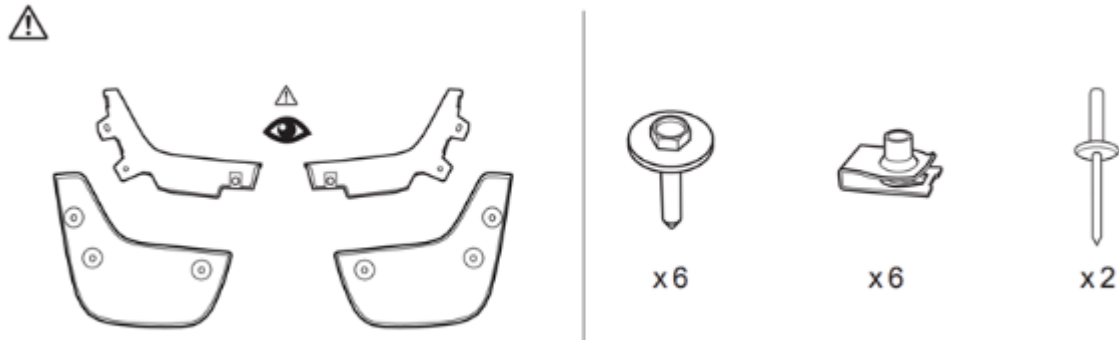


Front Fender Mud Guard Package Installation (Instruction ID : 42809657)

Installation Instructions Part Number

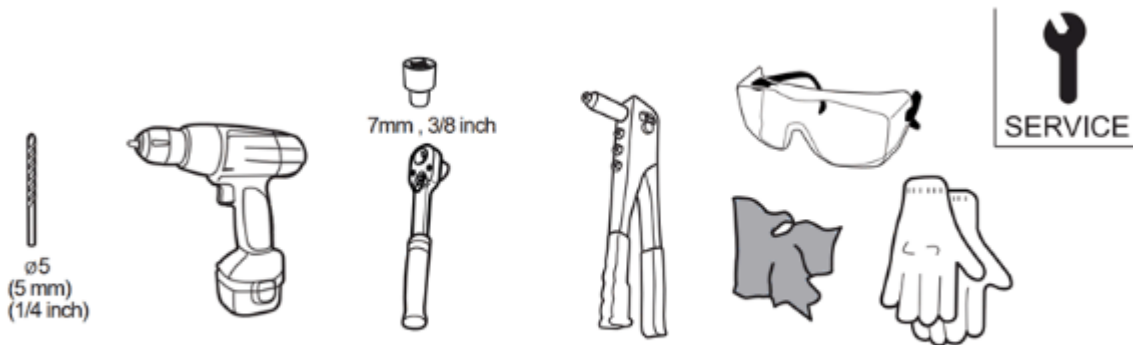
42809657

Kit Contents



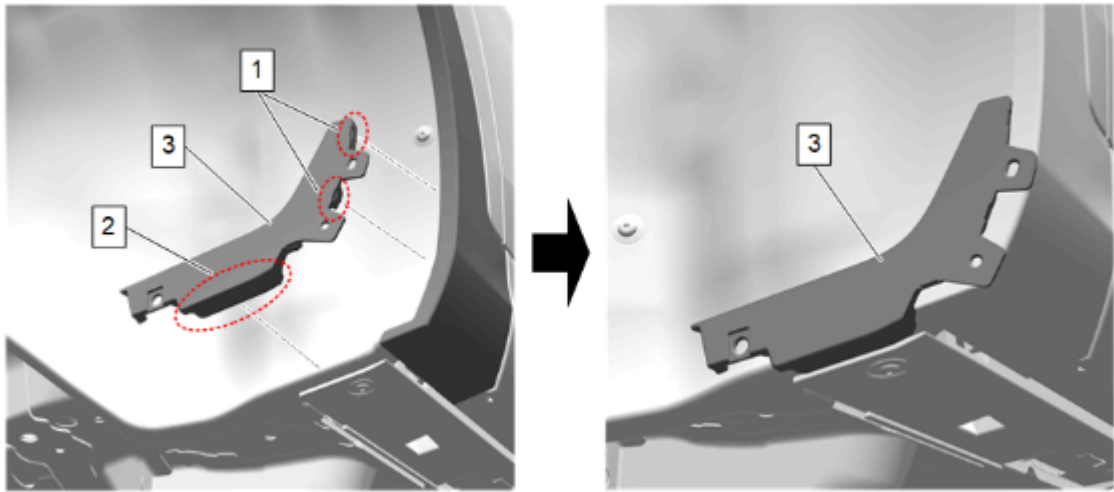
© 2024 General Motors. All rights reserved.

Tools Required

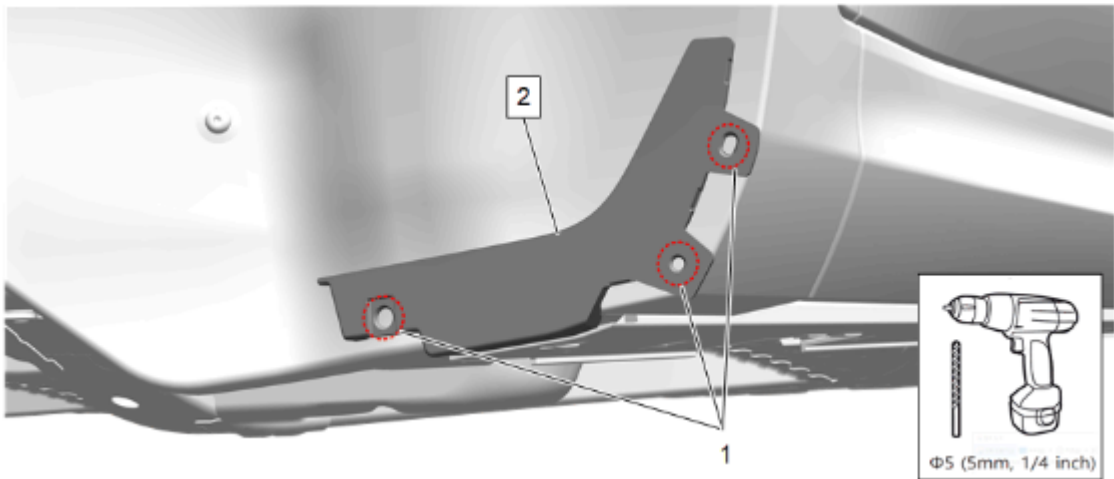


Procedure

1. Remove the front tire and wheel assembly. [Tire and Wheel Removal and Installation](#)

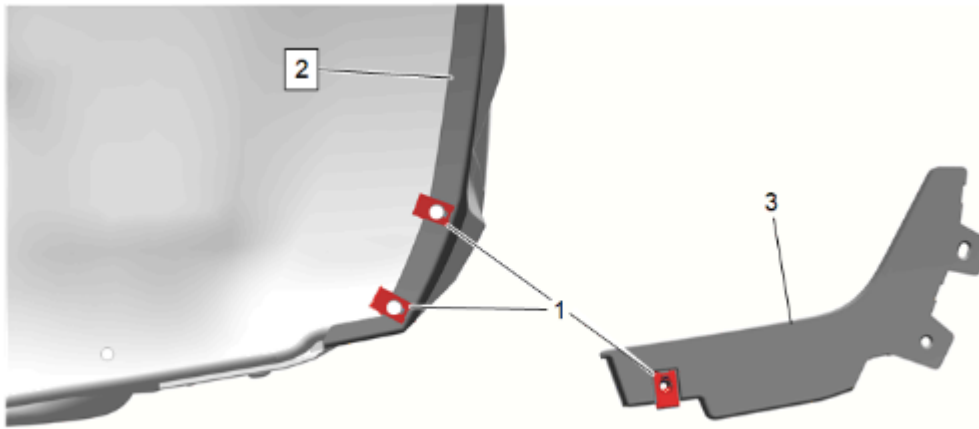


2. Align the marked area (1) of the front fender mud guard bracket (3) with the front wheel opening molding flange.
3. Align the bottom (2) of the front fender mud guard bracket (3) with the front wheelhouse liner.

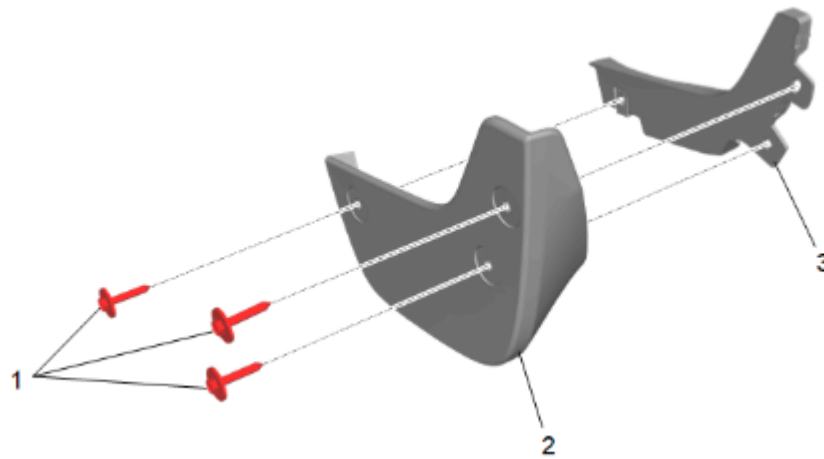


Warning: Approved safety glasses and gloves should be worn when performing this procedure to reduce the chance of personal injury.

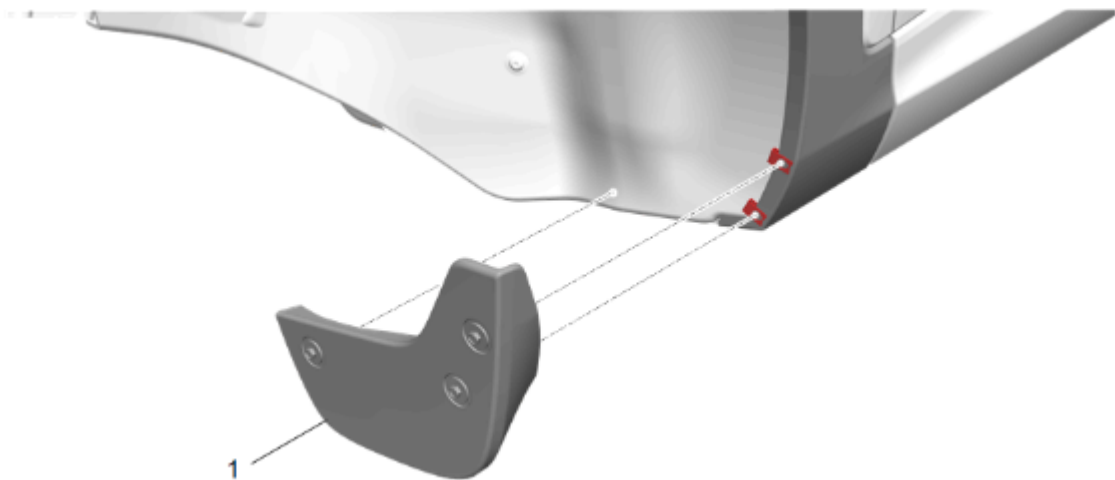
4. Using a 1/4 inch (5 mm) bit, drill three holes through the front wheelhouse liner and front wheel opening molding at the marked hole locations (1) on the front fender mud guard bracket (2).
5. Remove the front fender mud guard bracket (2) after drilling.



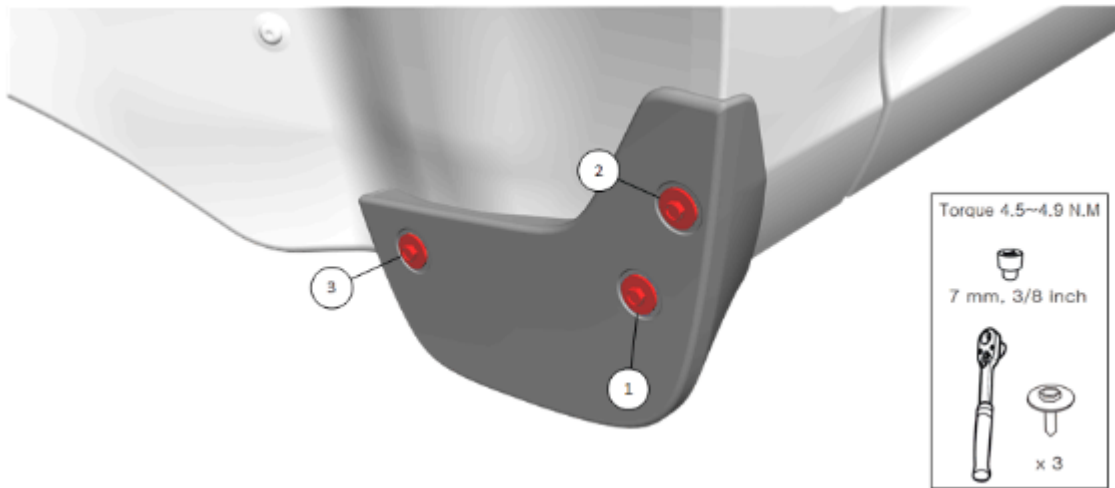
6. Install the three nuts (1) at the front wheel opening molding (2) and front fender mud guard bracket (3).



7. Assemble the front fender mud guard (2) and front fender mud guard bracket (3) with front fender mud guard screw (1).

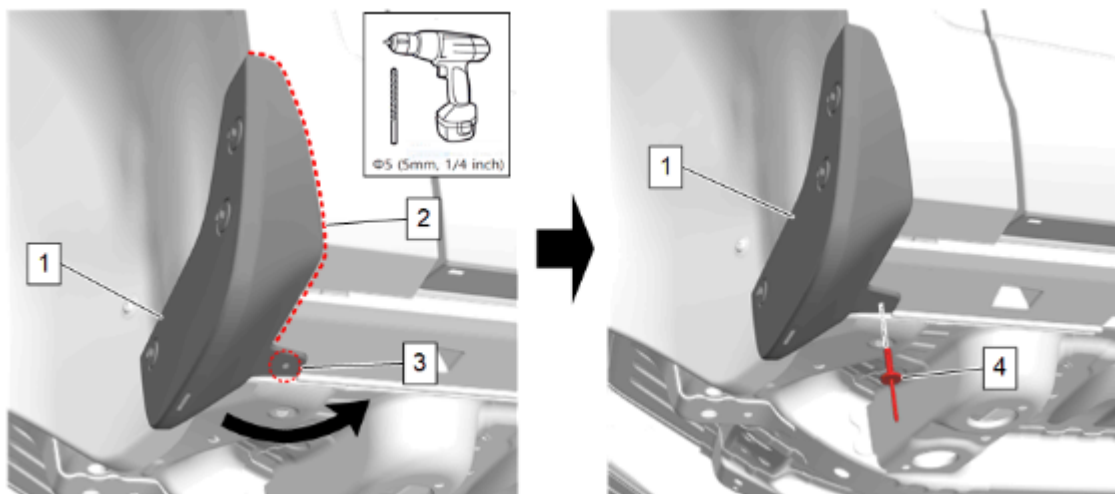


8. Install the front fender mud guard assembly (1) to the front wheel opening molding and front wheelhouse liner.



Caution: Use the correct fastener in the correct location. Replacement fasteners must be the correct part number for that application. Fasteners requiring replacement or fasteners requiring the use of thread locking compound or sealant are identified in the service procedure. Do not use paints, lubricants, or corrosion inhibitors on fasteners or fastener joint surfaces unless specified. These coatings affect fastener torque and joint clamping force and may damage the fastener. Use the correct tightening sequence and specifications when installing fasteners in order to avoid damage to parts and systems.

9. Tighten the front fender mud guard screw to **4.5 N·m (40 lb in) – 4.9 N·m (43 lb in)** in the order of the numbers in the graphic.



10. Pull the front fender mud guard (1) in the direction of the arrow by hand.
11. Be aware that gap (2) between front fender mud guard and front wheel opening molding.
12. Using a 1/4 inch (5 mm) bit, drill a hole through the rocker panel molding at the rivet hole location (3) on the front fender mud guard.
13. With the front fender mud guard (1) pulled by hand, Install the rivet (4).
14. Install the front tire and wheel assembly. [Tire and Wheel Removal and Installation](#)