

Rear Bumper Valance Panel Package Installation (Instruction ID: 84768691)

Installation Instructions Part Number

84768691

Kit Contents

Qty	Description
1	Rear Bumper Fascia Valance Panel
1	Installation Instructions

Tools Required

Power Drill and 3/16 Drill Bit

Rivet Gun

Masking Tape

Flat Bladed Plastic Trim Tool

Small Nylon Wedge

Isopropyl alcohol (used for cleanup)

Note: This accessory requires removal of the exhaust bezels which require drilling out the rivets. The replacement rivets are available in the Accessory Exhaust Bezel Kit P/N 84577894.

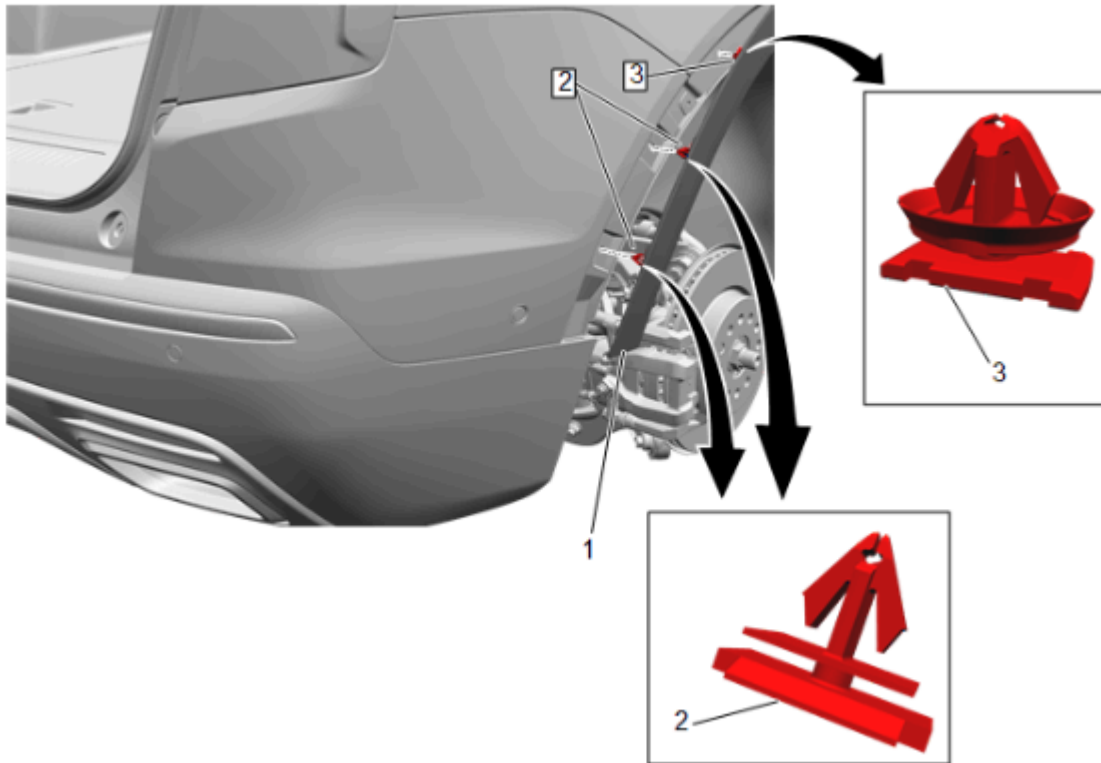
Procedure

Remove Rear Valance

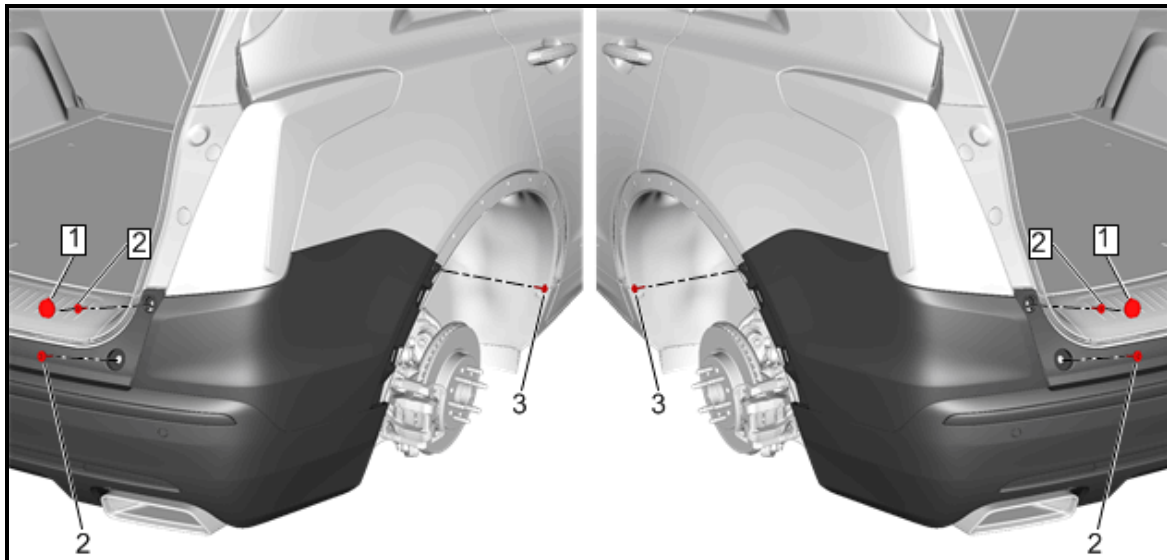
Warning:

- Approved safety glasses and gloves should be worn when performing this procedure to reduce the chance of personal injury.
- In order to avoid being burned, do not service the vehicle while the exhaust system is still hot. Service the vehicle when the exhaust system is cool.

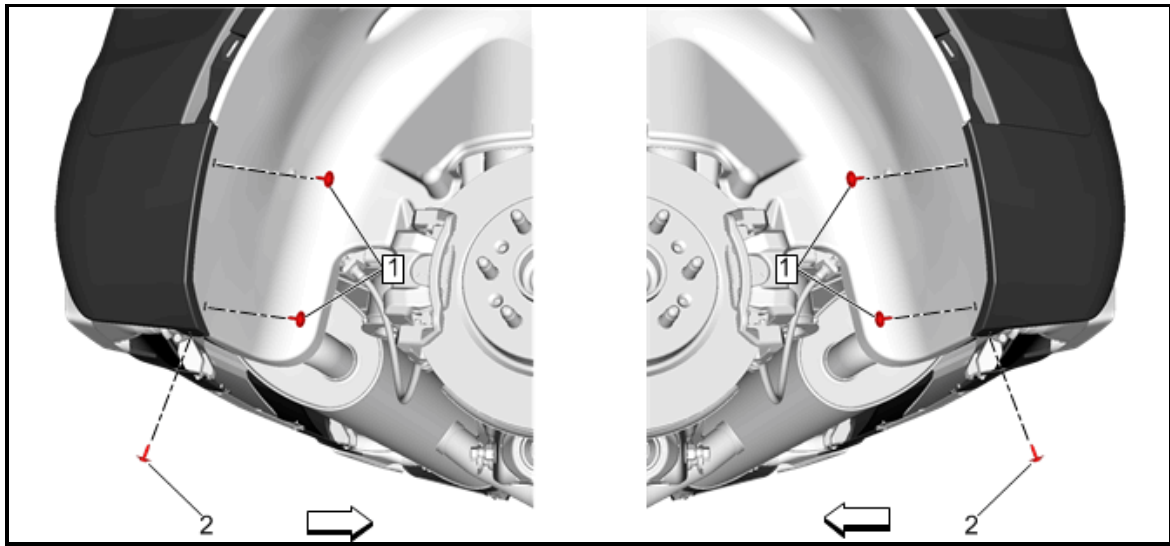
1. Raise and suitably support the vehicle. Refer to [Lifting and Jacking the Vehicle](#) in Vehicle Service Manual.



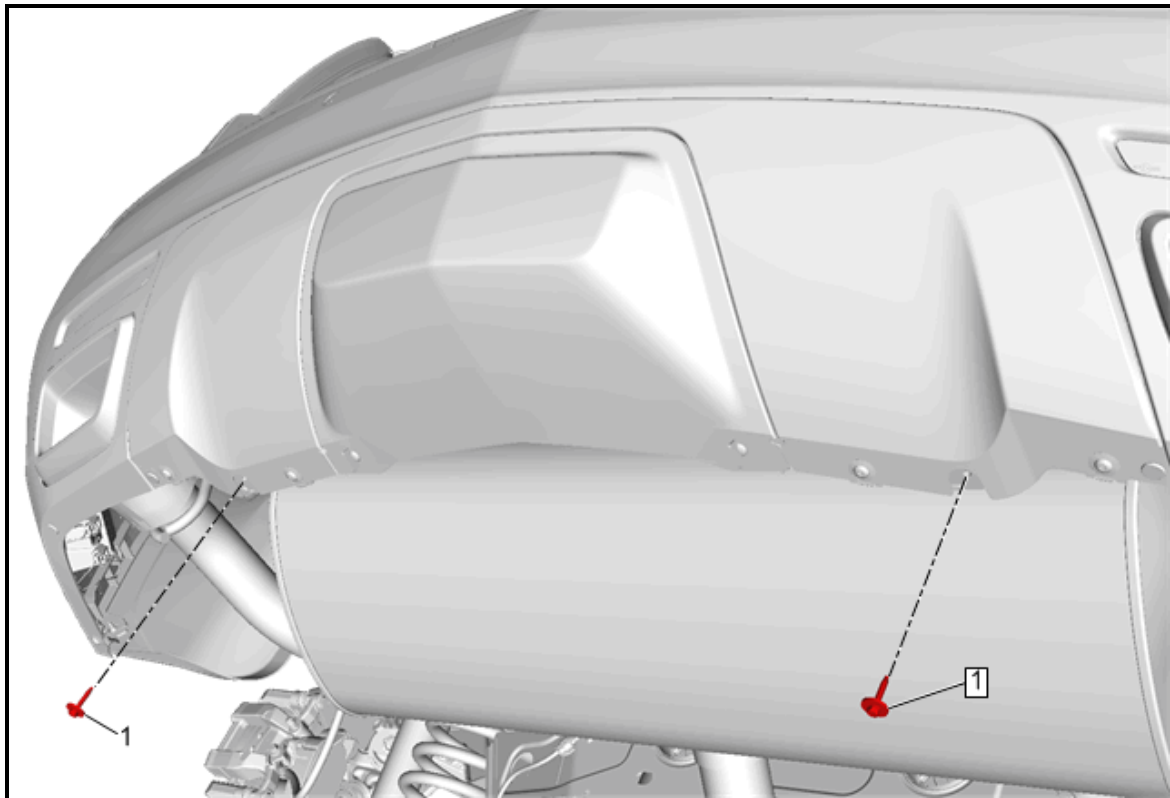
2. Apply two layers of masking tape around the top edge of the rear wheel opening moldings to prevent any paint surface damage.
3. Using a suitable flat bladed plastic trim tool, release the three retainers (2), (3) from the rear wheel opening molding (1). Repeat for opposite side.



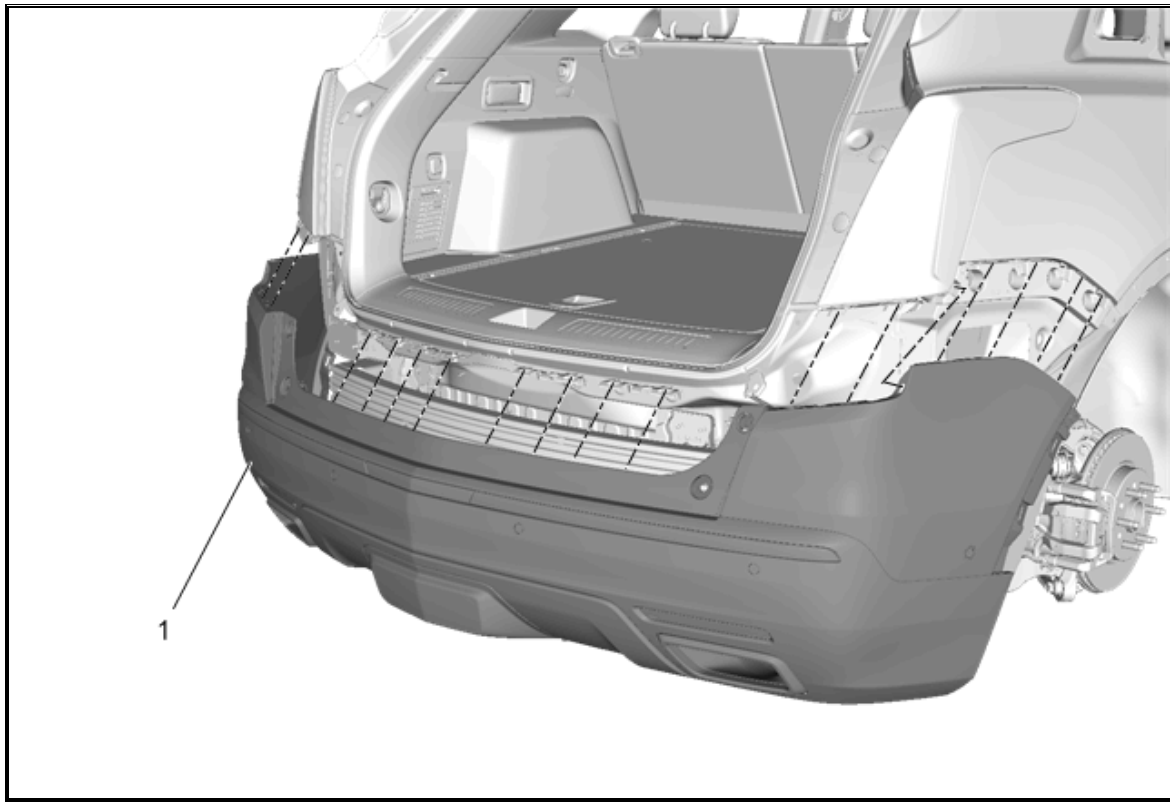
4. Remove the screws (3) securing the rear wheelhouse liner to rear fascia.
5. Remove the screw covers (1) from the rear fascia.
6. Remove the screws (2) from the rear upper fascia.



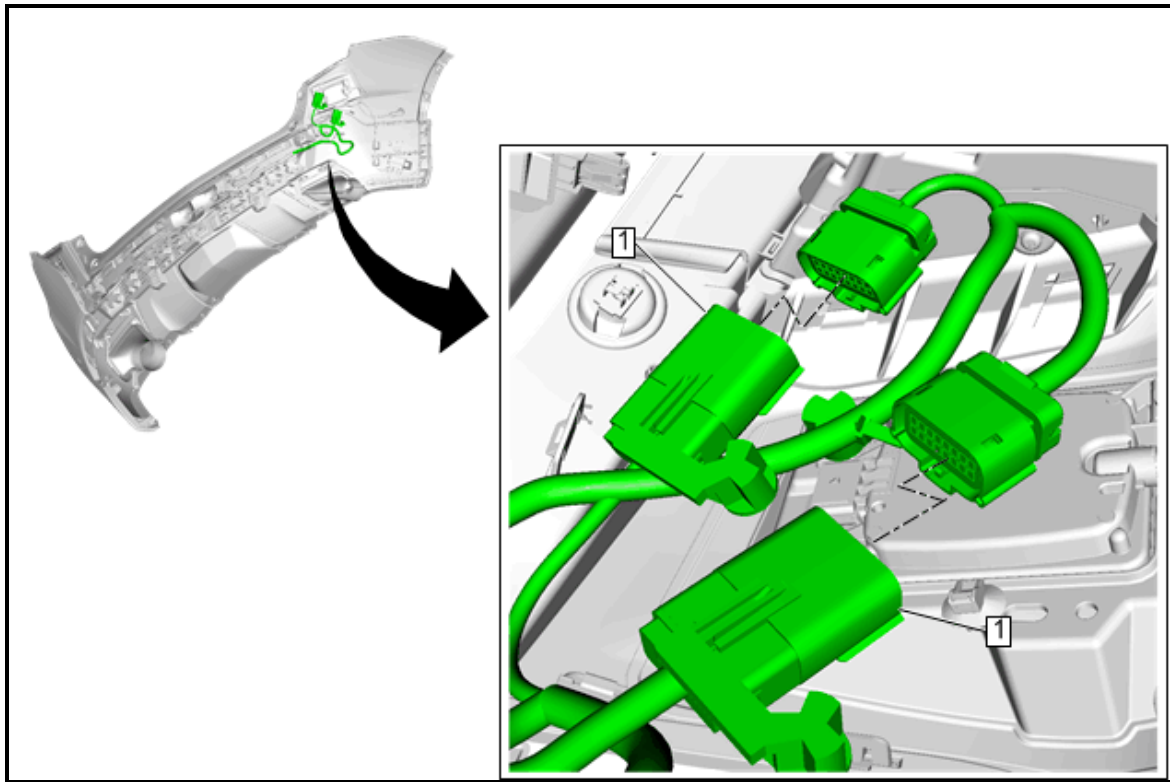
7. Remove the screws (1) securing rear fascia to side of vehicle.
8. Remove the screws (2) securing the outer lower rear fascia.



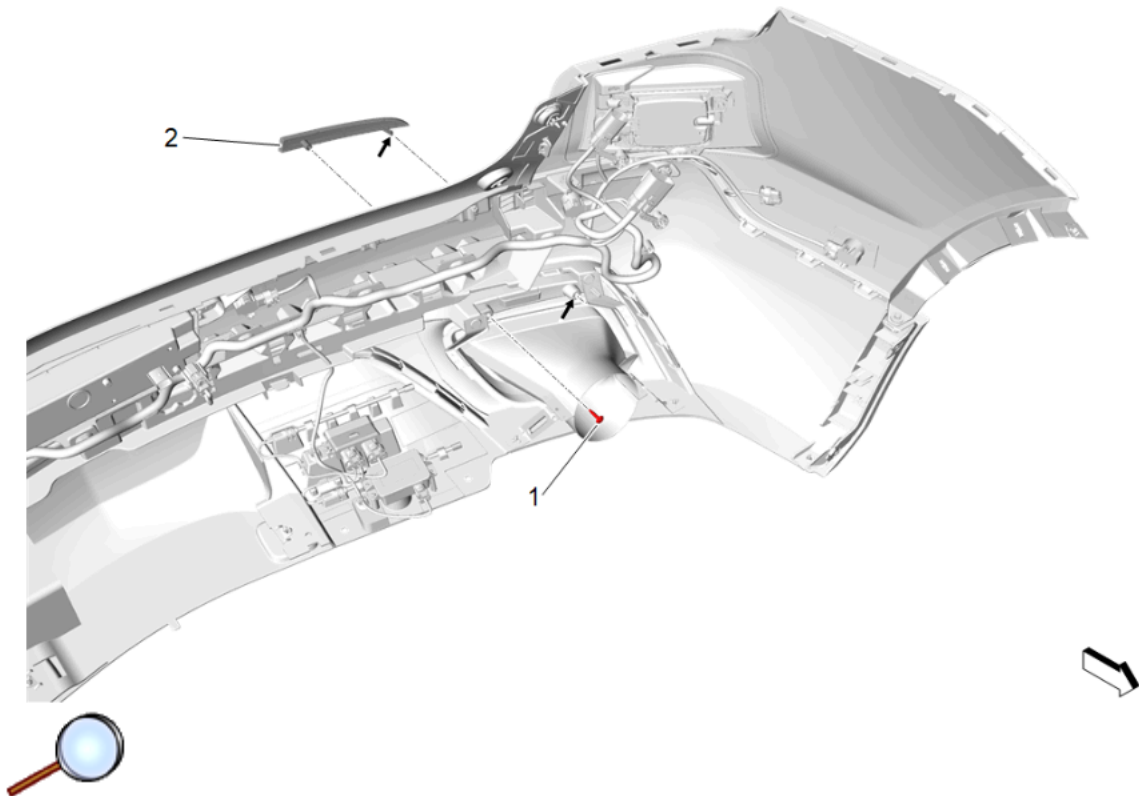
9. Remove the screws (1) from the rear lower fascia.



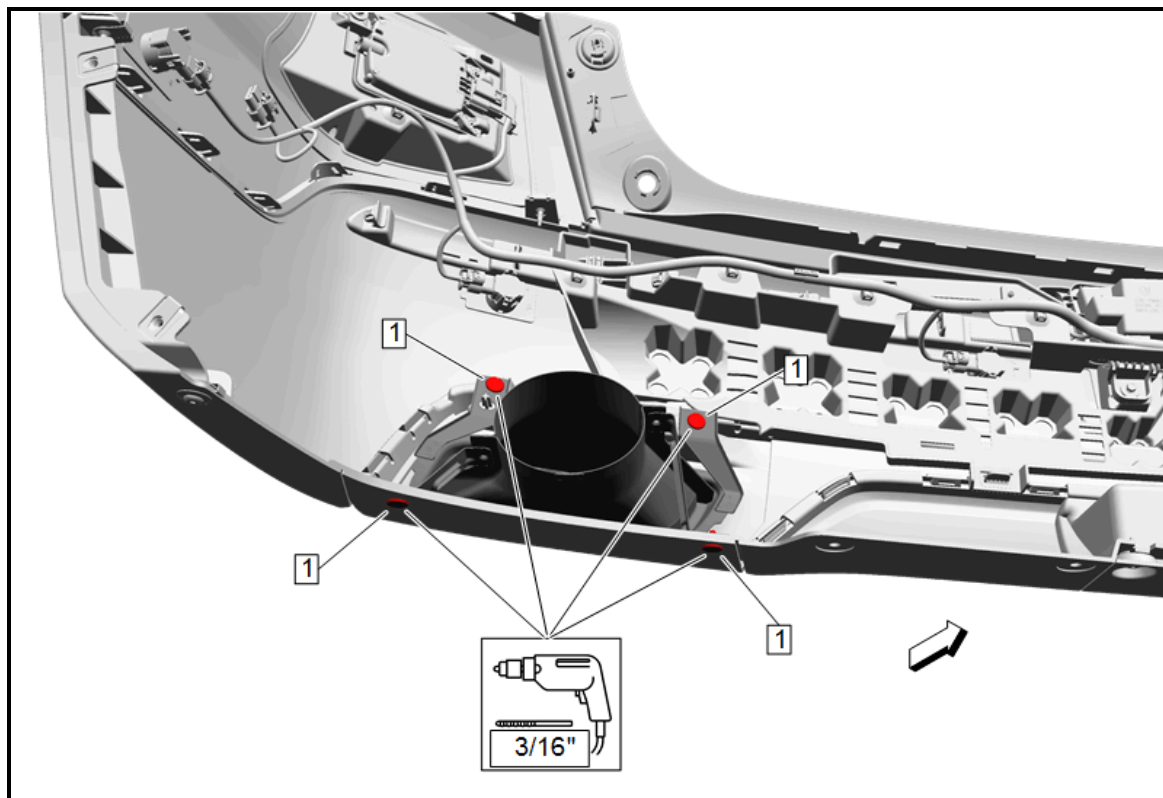
10. Carefully push a small nylon wedge between the fascia and the rear fascia guide. Insert a small flat-bladed tool into the fascia slot and depress the snaps one at a time and pull on the fascia at the same time to gradually remove the rear fascia (1) from the rear fascia guide.



11. Disconnect the rear fascia harness electrical connectors (1) from the rear body harness.
12. Place the rear fascia on a clean protected surface.



13. Remove the screw (1) securing rear fascia auxiliary signal lamp. Repeat for opposite side.
14. Release the retaining tab and remove the rear fascia auxiliary signal lamp (2) from the rear fascia. Repeat for opposite side.



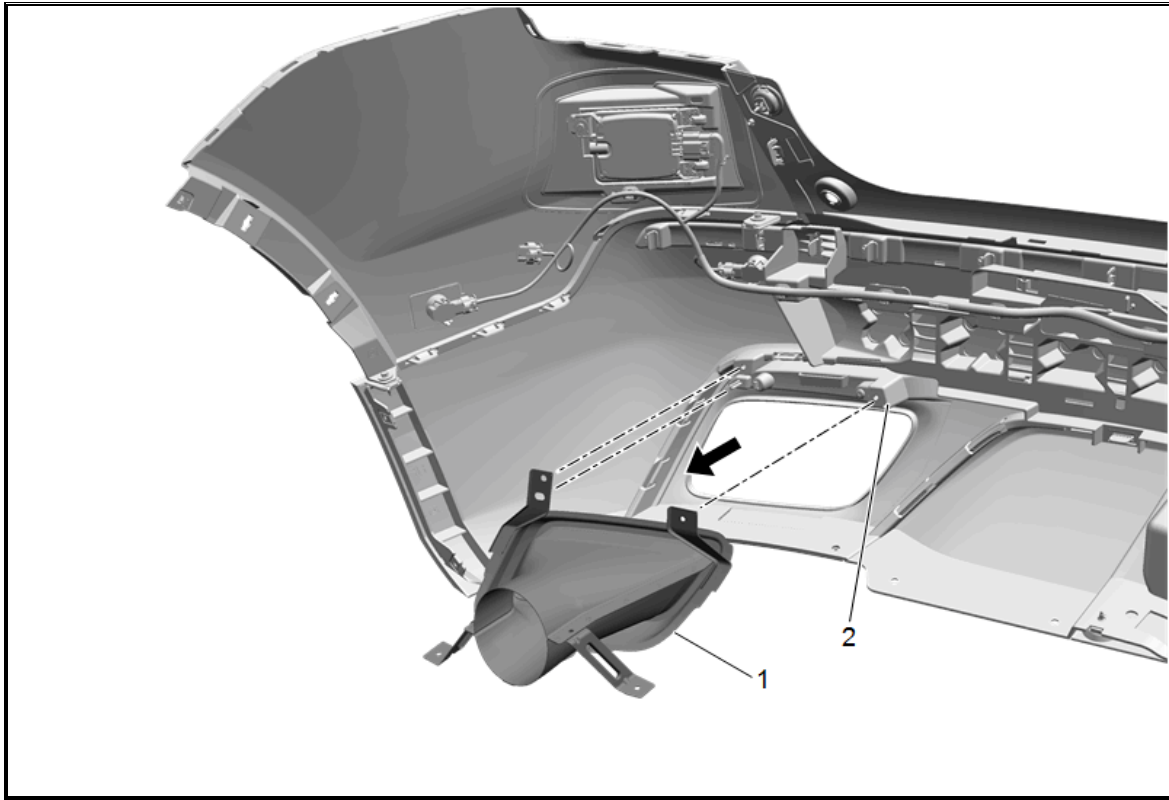
© 2024 General Motors. All rights reserved.



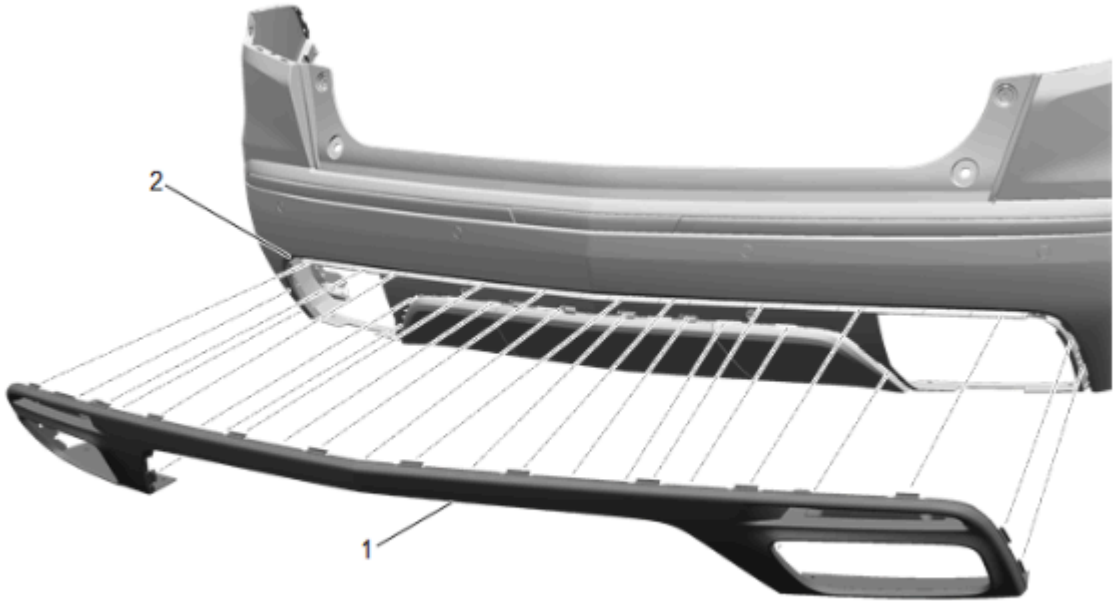
Note: The replacement rivets are available in the Accessory Exhaust Bezel Kit P/N 84577894.

Note: Take care to only drill as far as required to remove the rivets.

15. Using a 3/16" drill bit, drill out the rivets (1) that hold the exhaust bezel in place. Repeat for opposite side.

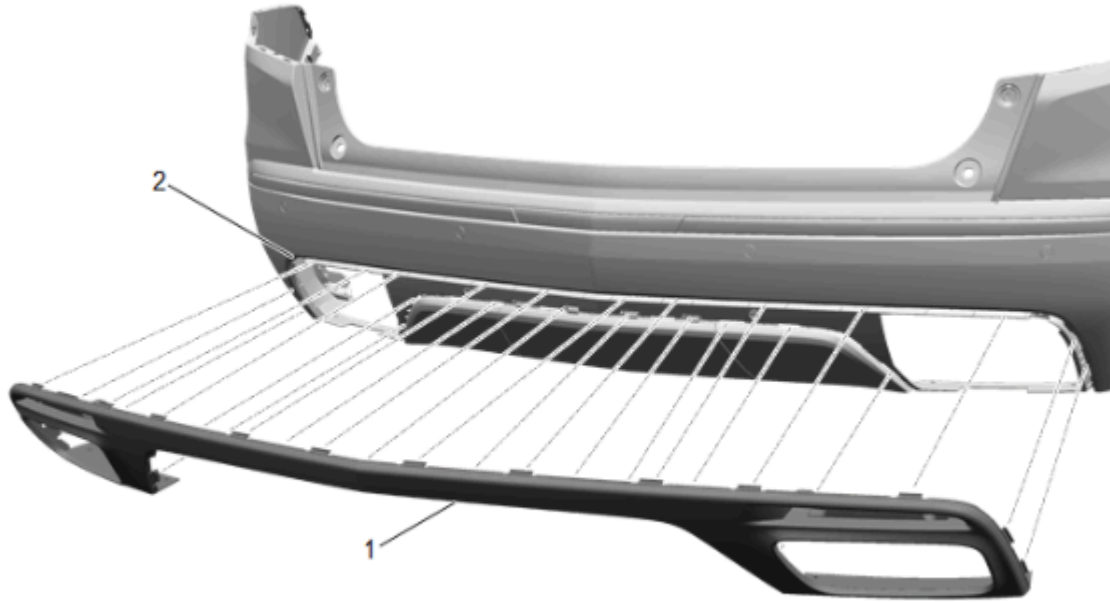


16. Remove the exhaust bezel (1) from the rear fascia (2). Repeat for opposite side.



- Carefully push a small nylon wedge between the fascia and the rear bumper valance panel. Insert a small plastic flat bladed tool into the fascia slot and depress the snaps one at a time and pull on the fascia at the same time to gradually remove the rear bumper valance panel (1) from the rear bumper fascia (2).

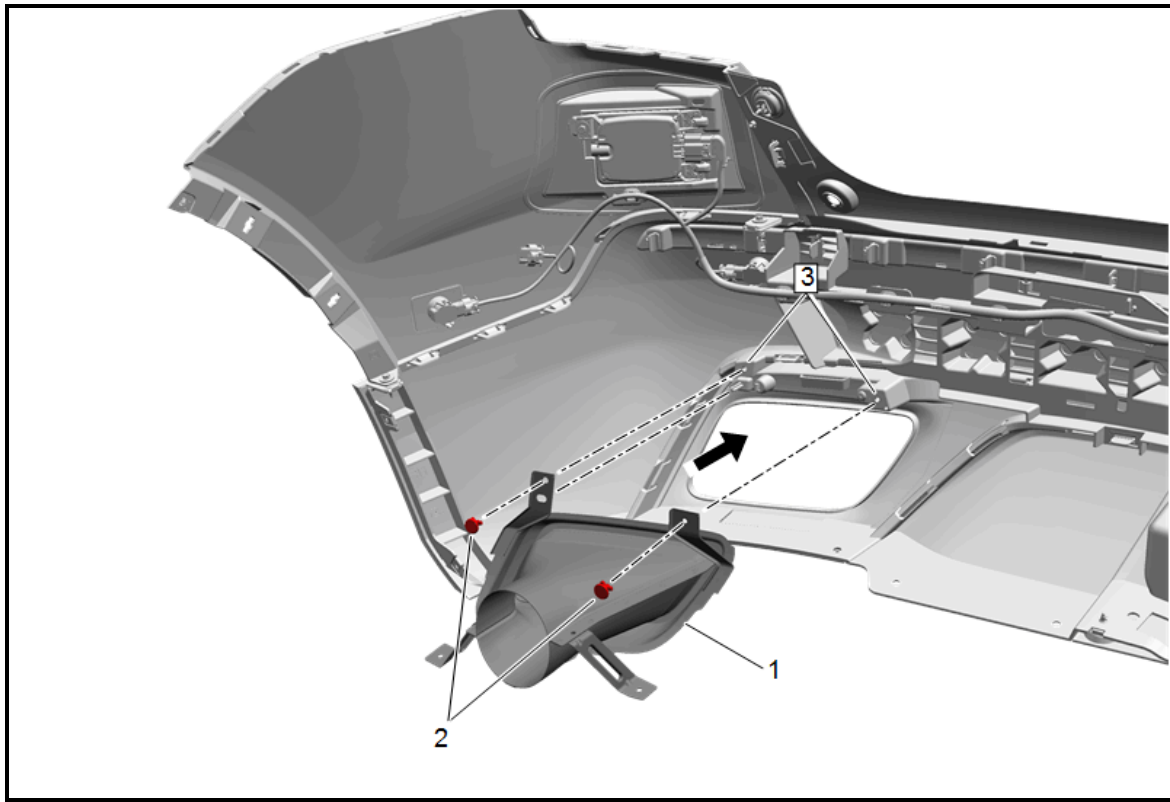
Install New Rear Valance



© 2024 General Motors. All rights reserved.

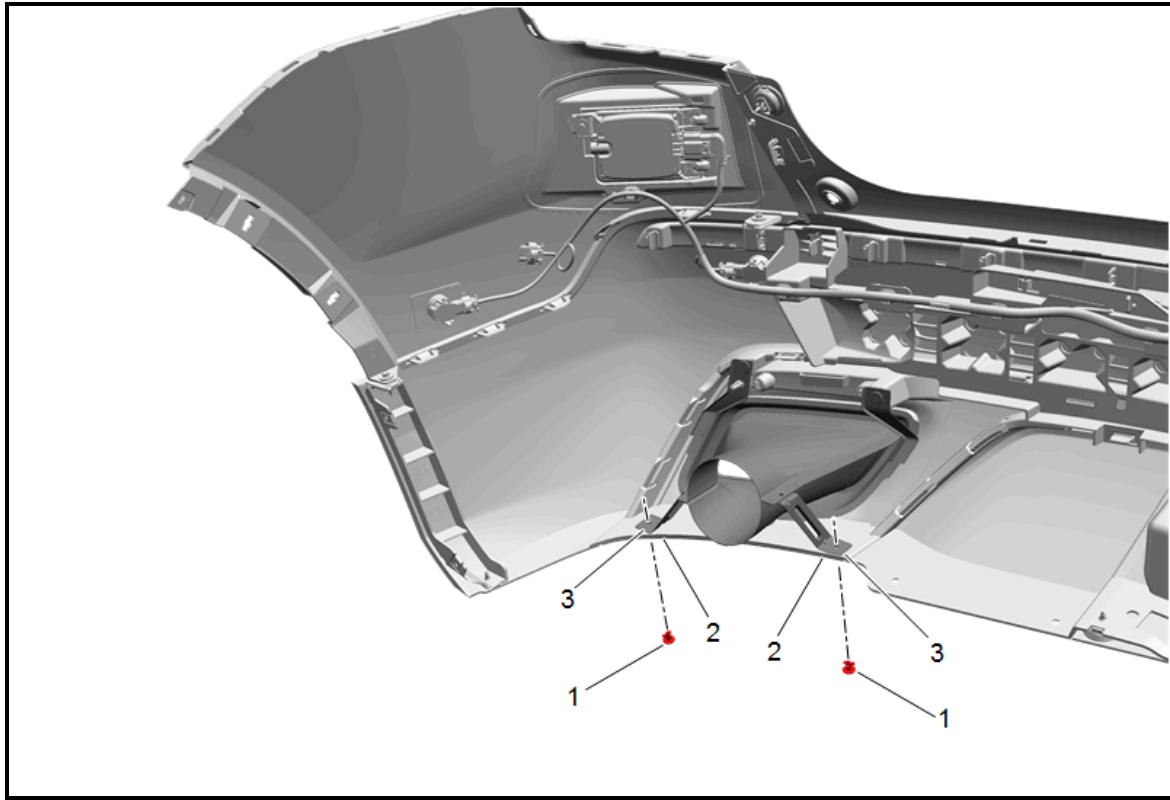


- Position the new rear bumper valance panel (1) to the slots of the rear bumper fascia (2) and engage the snaps one at a time.

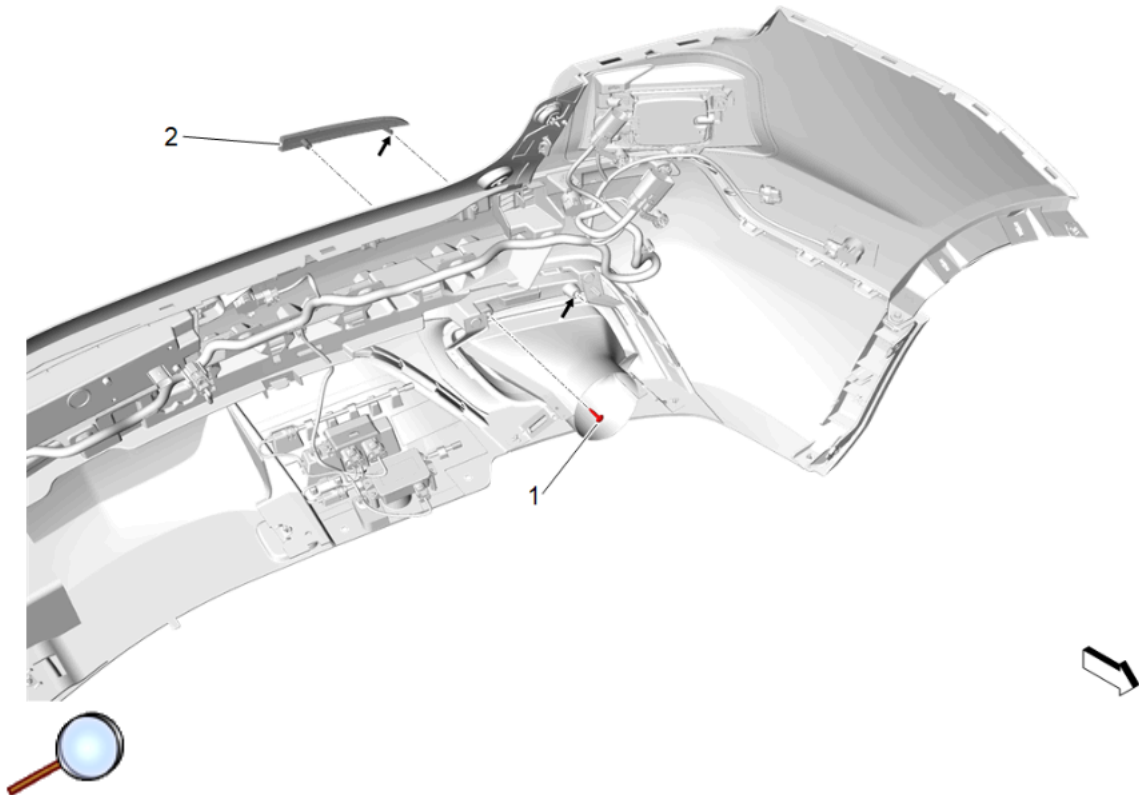


Caution: Use the correct fastener in the correct location. Replacement fasteners must be the correct part number for that application. Fasteners requiring replacement or fasteners requiring the use of thread locking compound or sealant are identified in the service procedure. Do not use paints, lubricants, or corrosion inhibitors on fasteners or fastener joint surfaces unless specified. These coatings affect fastener torque and joint clamping force and may damage the fastener. Use the correct tightening sequence and specifications when installing fasteners in order to avoid damage to parts and systems.

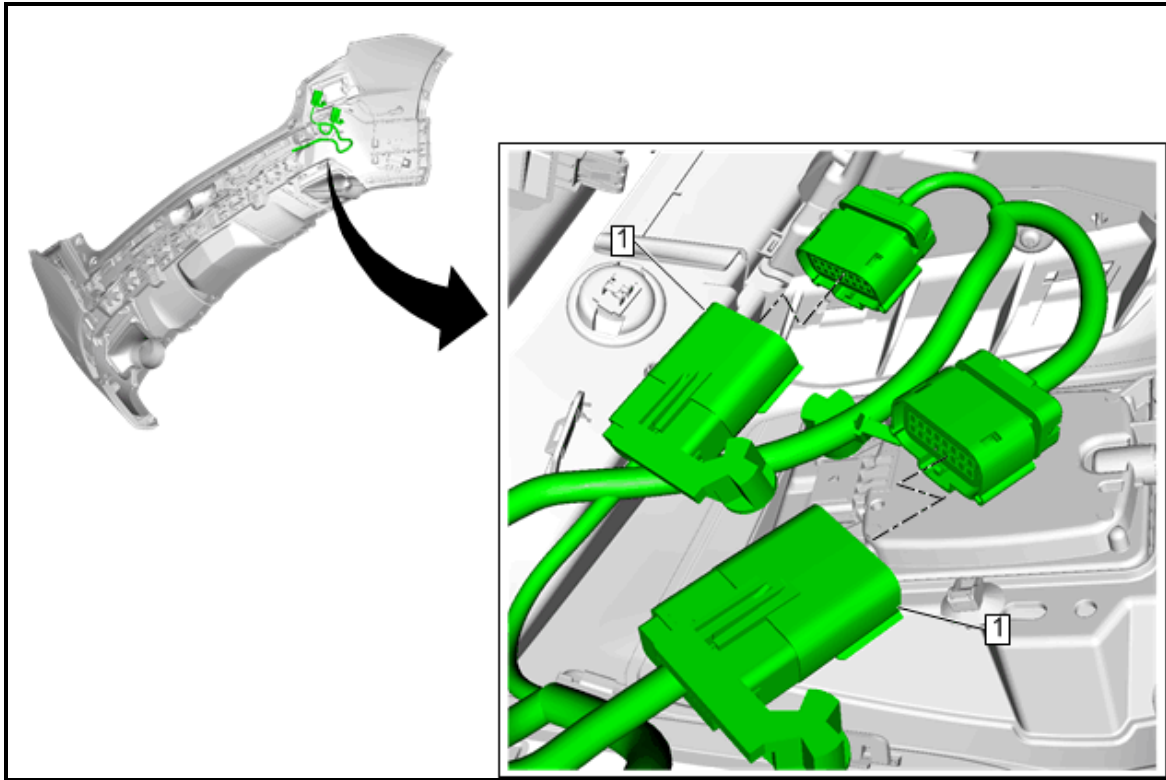
2. Position the exhaust bezel (1) to the existing mounting holes on the rear fascia and install the rivets (2) to the upper holes (3). Repeat for opposite side.



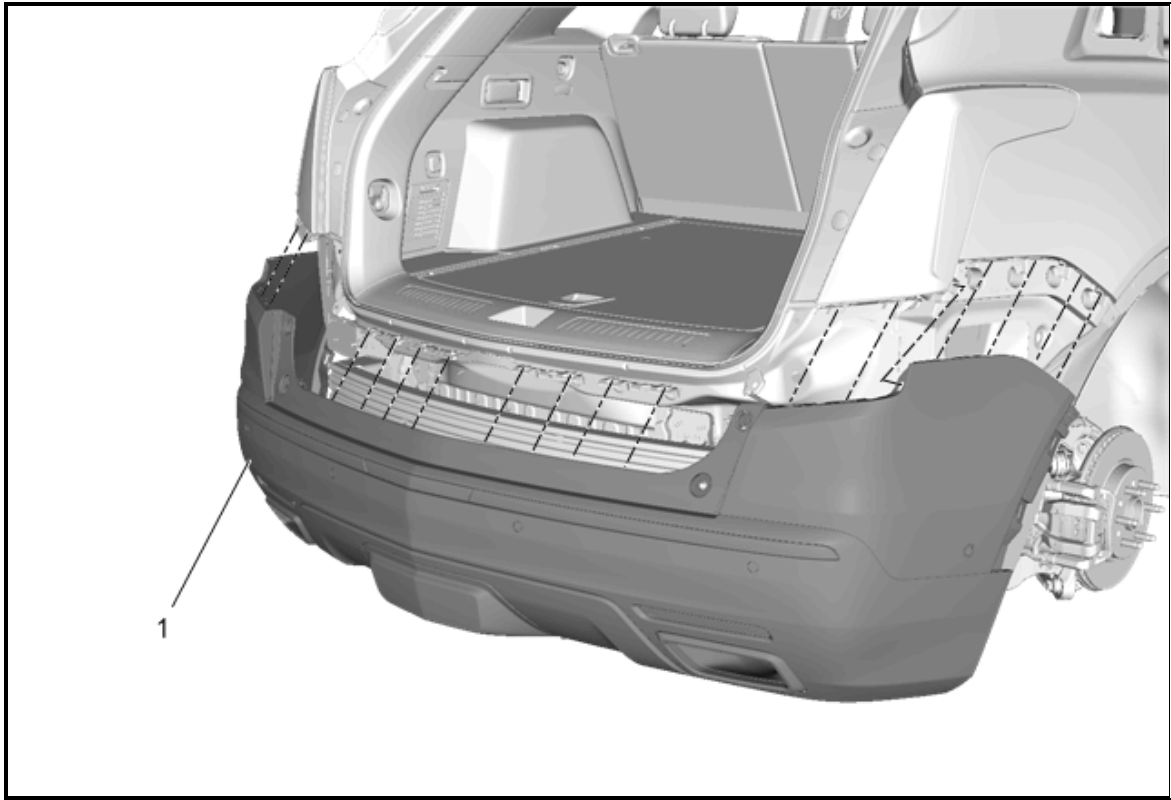
3. Finish securing the exhaust bezel (3) to the lower holes in rear fascia (2) with the rivets (1). Repeat for opposite side.



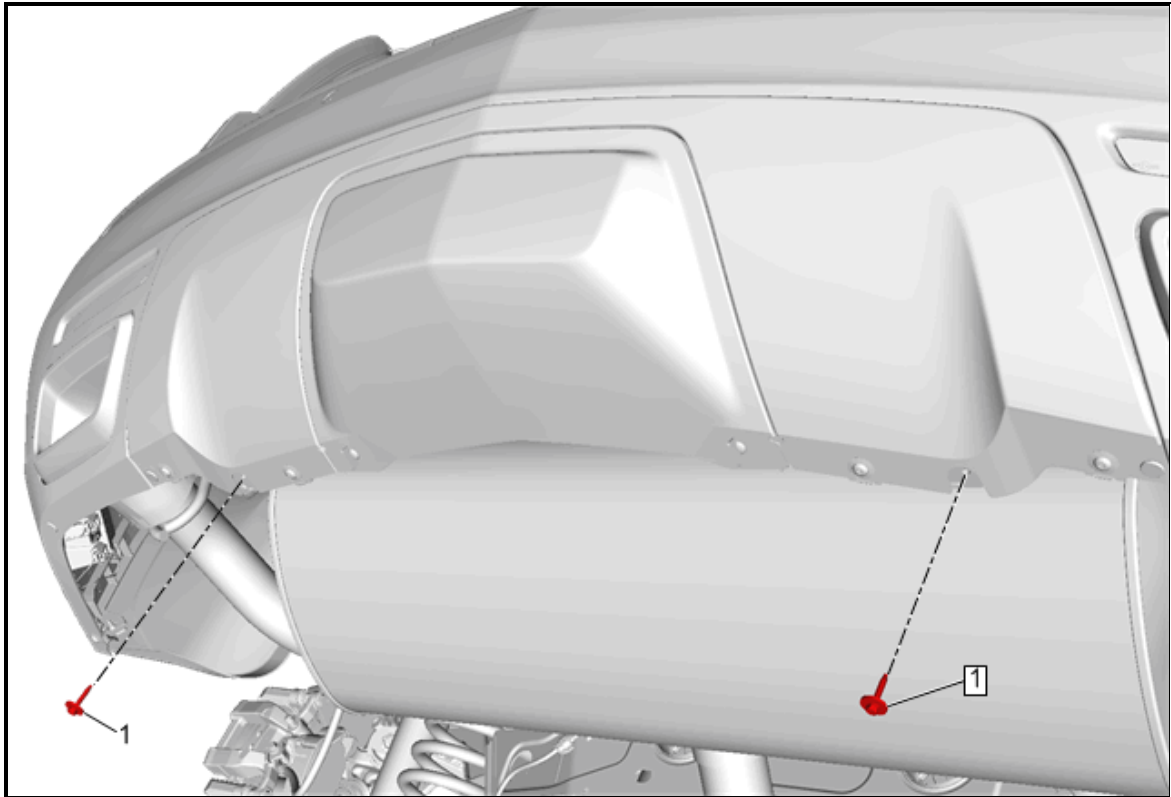
4. Position the rear fascia auxiliary signal lamp (2) to the rear fascia and engage the retaining tab. Repeat for opposite side.
5. Install the screw (1) securing rear fascia auxiliary signal lamp. Repeat for opposite side. Tighten the screw to 2.5 N.m (22 lb in).



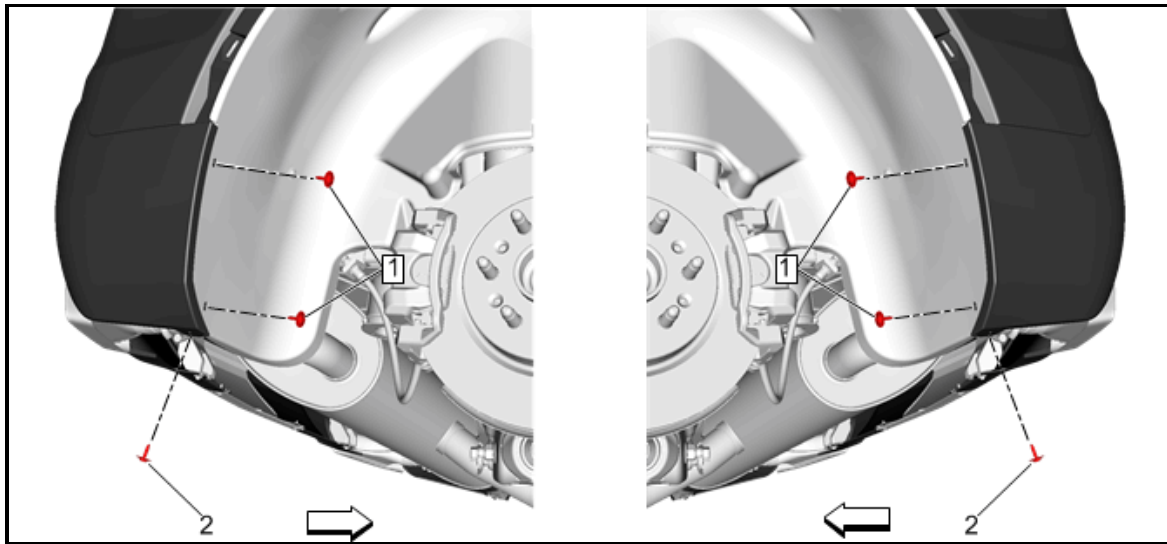
6. With the aid of an assistant, position the rear fascia to vehicle, connect rear fascia harness connectors (1) to rear body harness.



7. Install the rear bumper fascia (1) to the fascia guides.

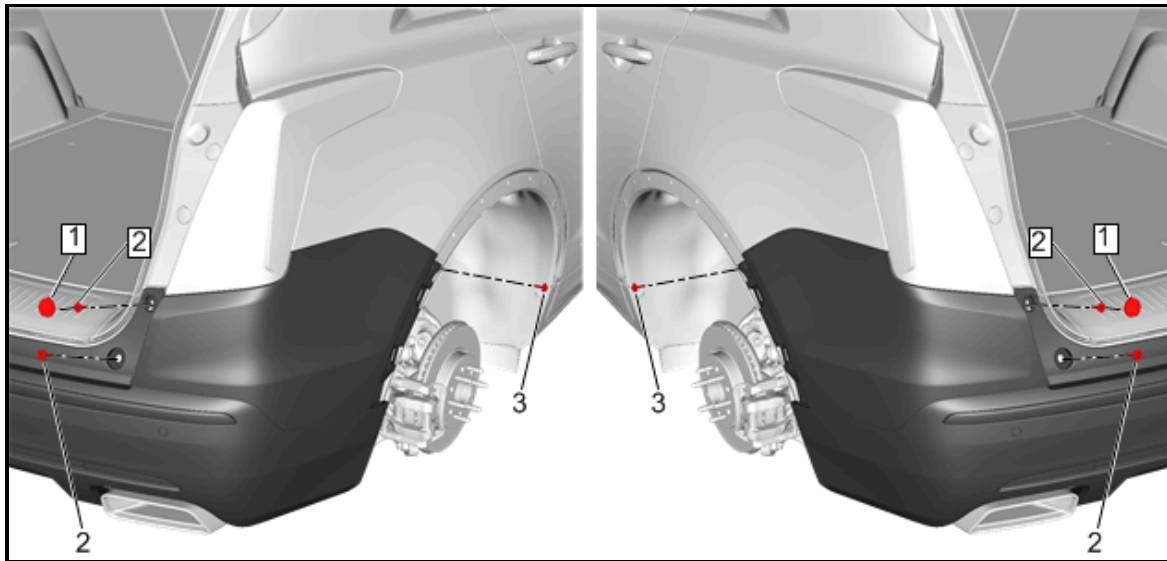


8. Install the screws (1) to the rear lower fascia. Tighten the screws to 2.5 N.m (22 lb in).



9. Install the screws (2) securing the outer lower rear fascia. Tighten the screws to 2.5 N.m (22 lb in).

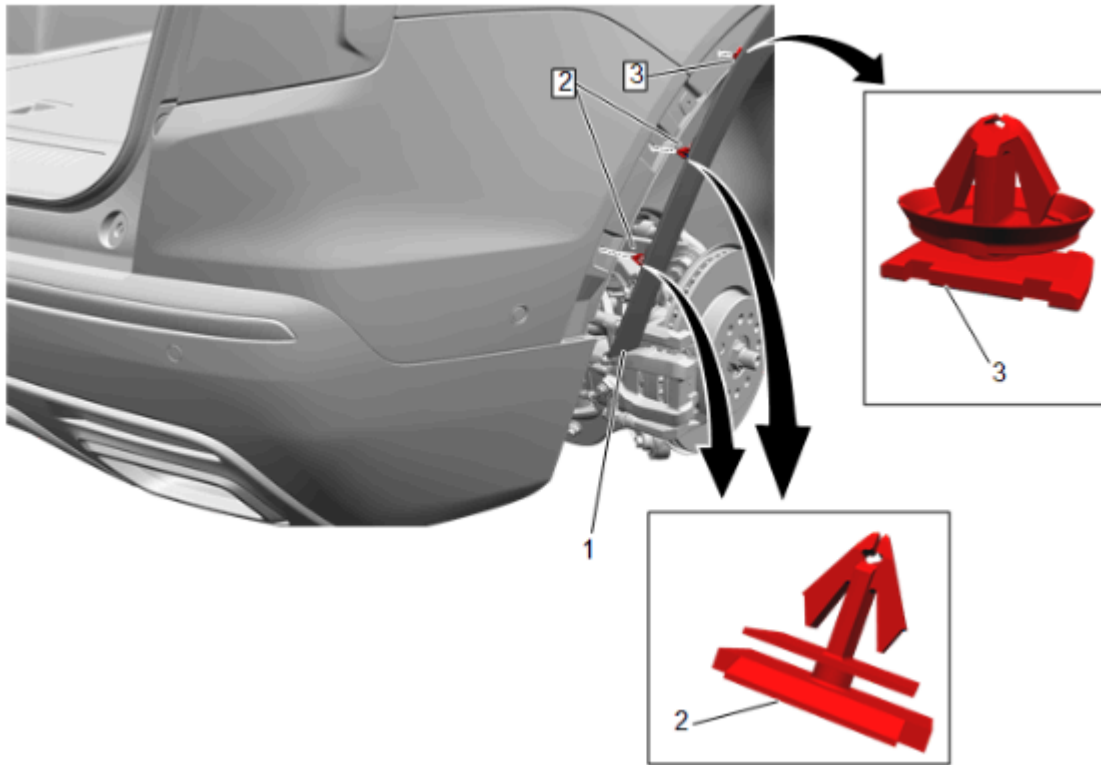
10. Install the screws (1) securing rear fascia to side of vehicle. Tighten the screws to 2.5 N.m (22 lb in).



11. Install the screws (2) to the rear upper fascia. Tighten the screws to 2.5 N.m (22 lb in).

12. Install the screw covers (1) to the rear fascia.

13. Install the screws (3) securing the rear wheelhouse liner to rear fascia. Tighten the screws to 2.5 N.m (22 lb in).



14. Engage the three retainers (2), (3) to the rear wheel opening molding (1). Repeat for opposite side.
15. Remove the two layers of masking tape around the top edge of the rear wheel opening moldings.
16. Using a 50/50 mixture of isopropyl alcohol and clean drinkable water and a clean towel, remove the left over adhesive residue from the masking tape.
17. Lower the vehicle.