

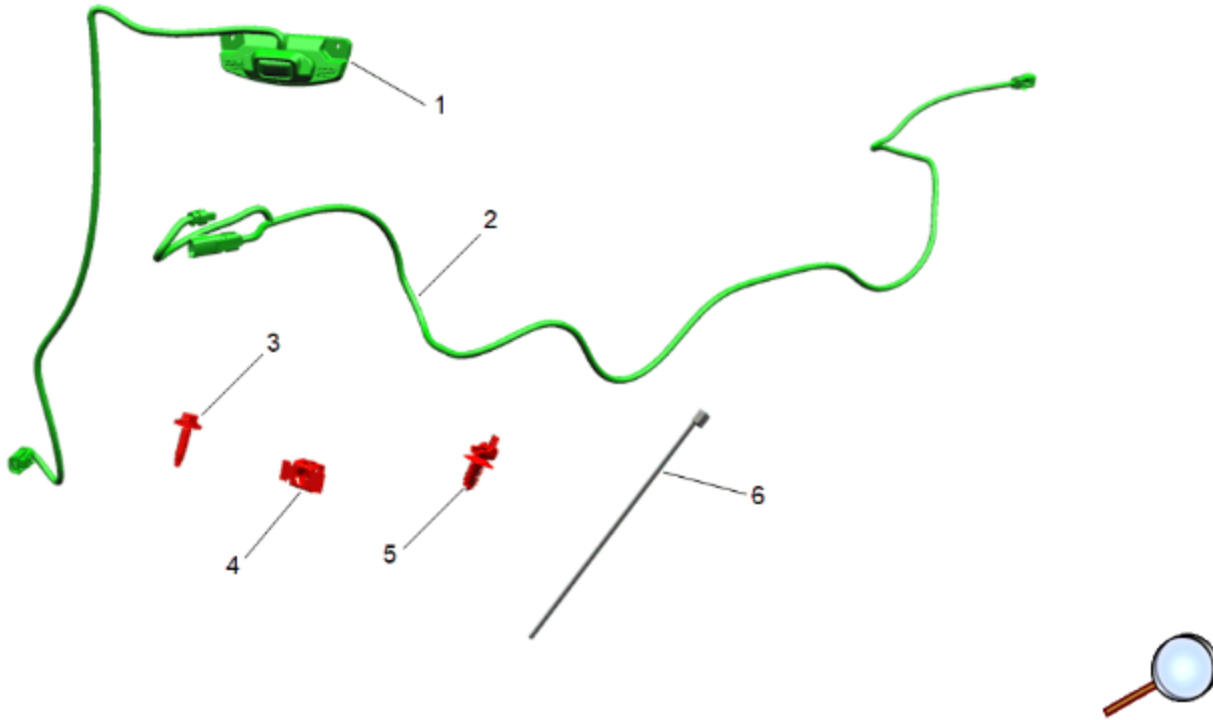
Document ID: 6205744

Cargo Lamp Kit Installation (Instruction ID: 84861987)

Installation Instructions Part Number

84861987

© 2024 General Motors. All rights reserved.



Kit Contents

Item	Qty	Description
1	2	Cargo Lamp
2	1	Wire Harness

Item	Qty	Description
3	4	Screw
4	4	Push Nut
5	2	Retainer Clip
6	15	Tie Strap
-	1	Installation Instructions

Required Tools, If Necessary

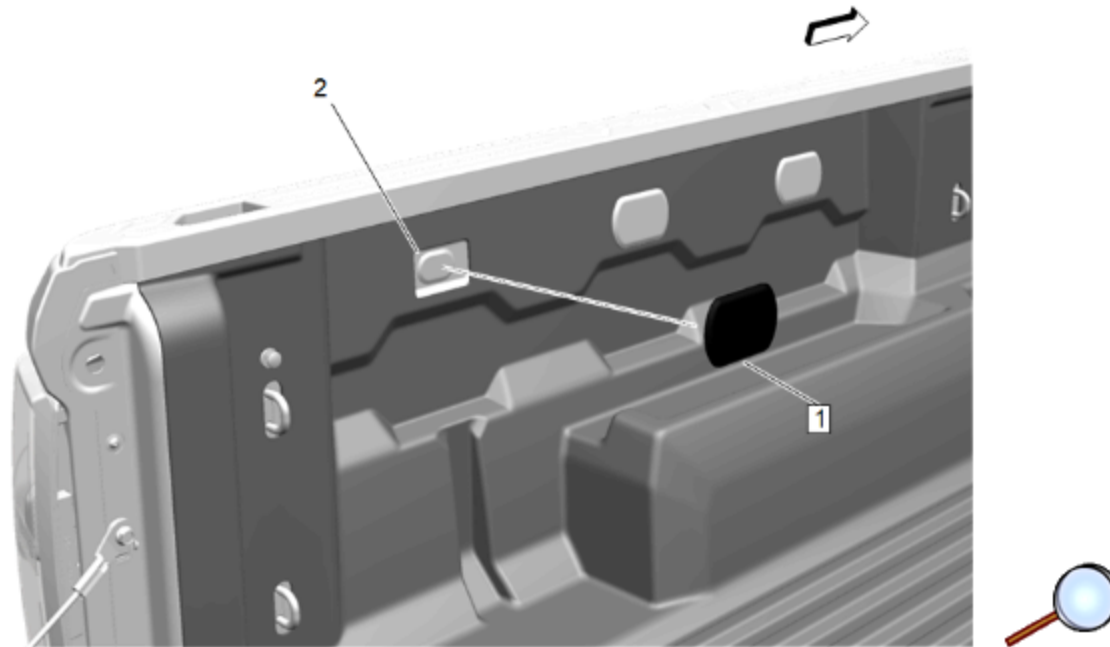
Suitable Cutting Tool

Suitable marking pen or scribe

Eye protection and gloves

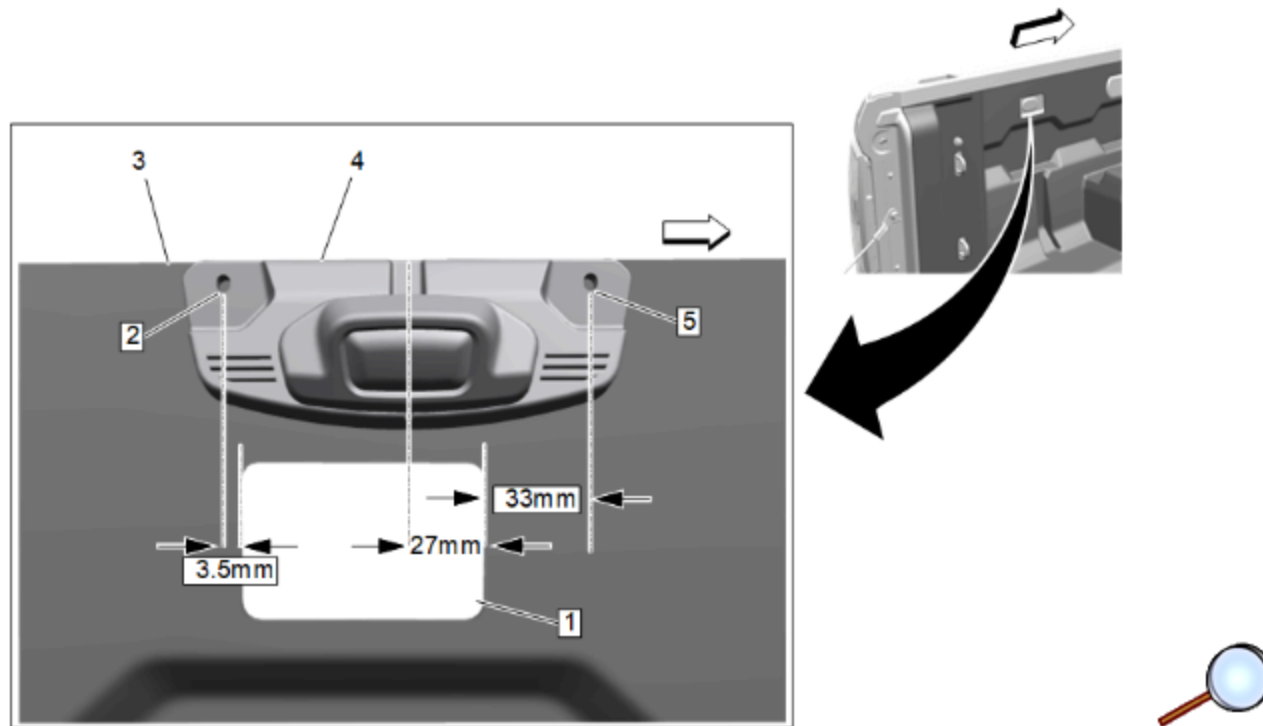
Procedure

1. Open endgate.



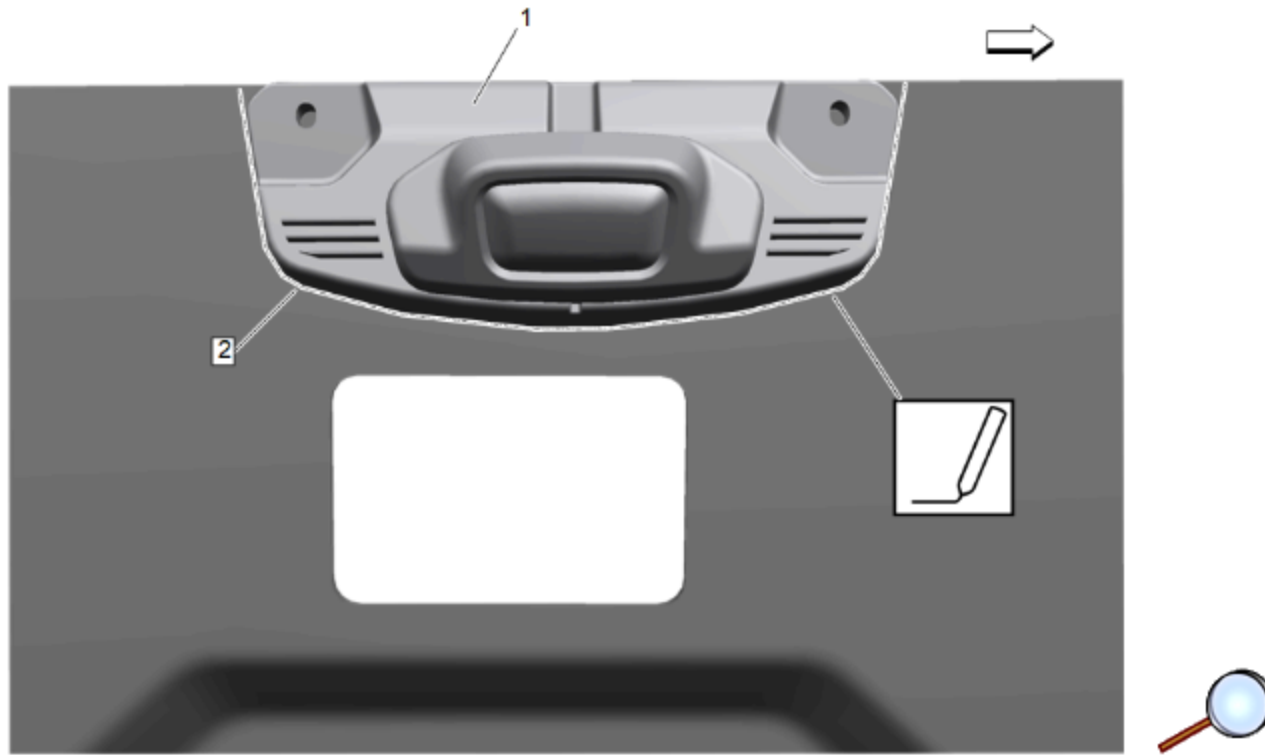
Note: If the vehicle is equipped with a drop-in bed liner, continue with steps 2 through 4. If vehicle is not equipped with drop-in bed liner move onto step 5.

2. Remove the plug (1) from bedliner hole (2). Repeat for opposite side.
3. **Driver Side:** Reposition the bedliner as necessary for cutting and lamp installation:



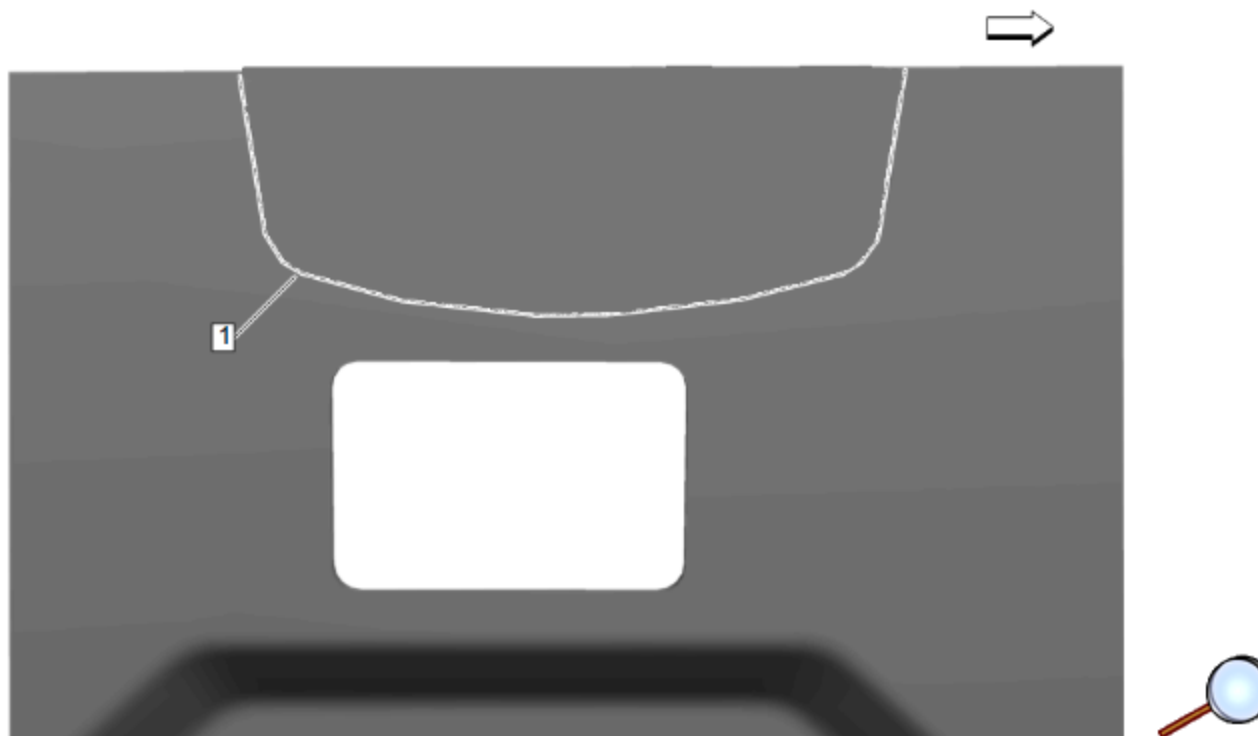
Note: The accessory cargo lamp bezel will be used as a template

- 3.1. Using the bed liner hole (1) as a reference point, place the lamp bezel (4) to the top of the bed liner (3).
- 3.2. Using the centerline of lamp while holding in position to top of bed liner, measure 27mm from the right side of bed liner hole (1).
- 3.3. While holding lamp (4) in position, measure 33mm from right side of bed liner hole (1). This should line up with the center of right lamp mounting hole (5).
- 3.4. While holding lamp (4) in position, measure 3.5mm from left side of bed liner hole (1). This should line up with the center of left lamp mounting hole (2).



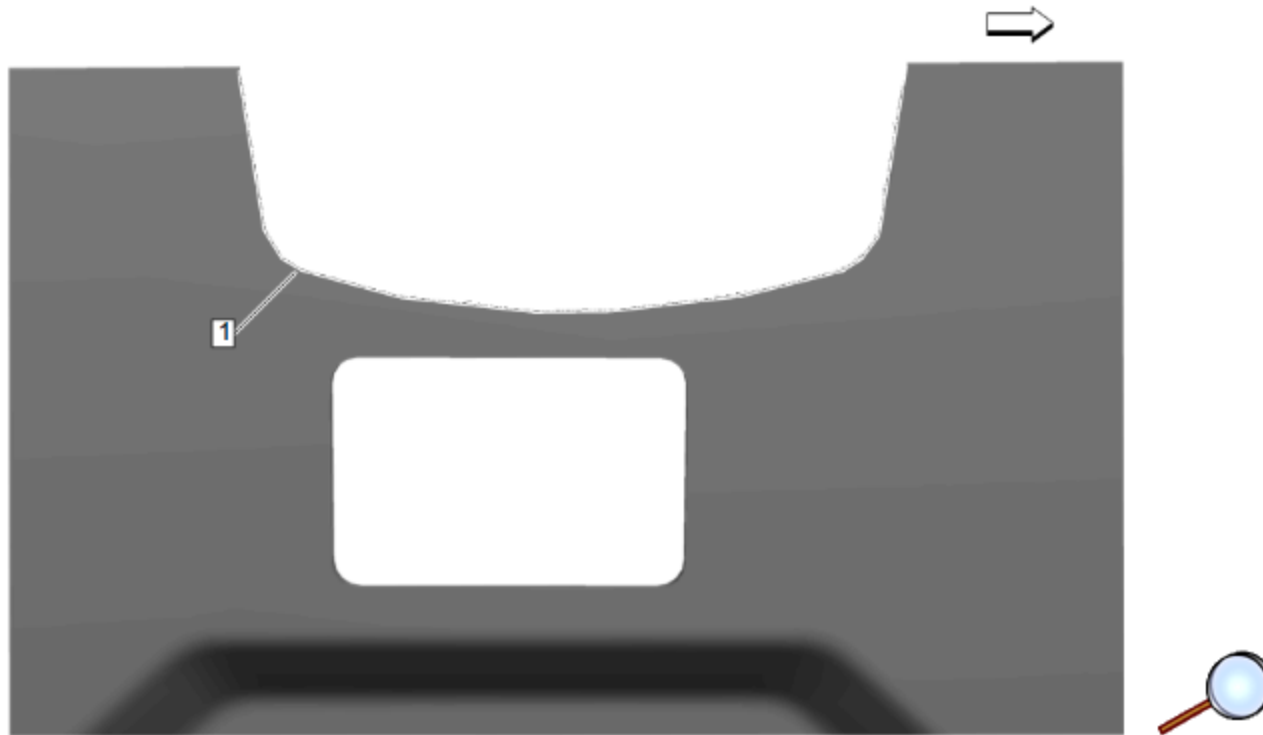
© 2024 General Motors. All rights reserved.

3.5. Once cargo lamp (1) is located properly, mark or scribe a cut line (2) around the outside of the lamp bezel with a suitable marking pen or scribe tool.

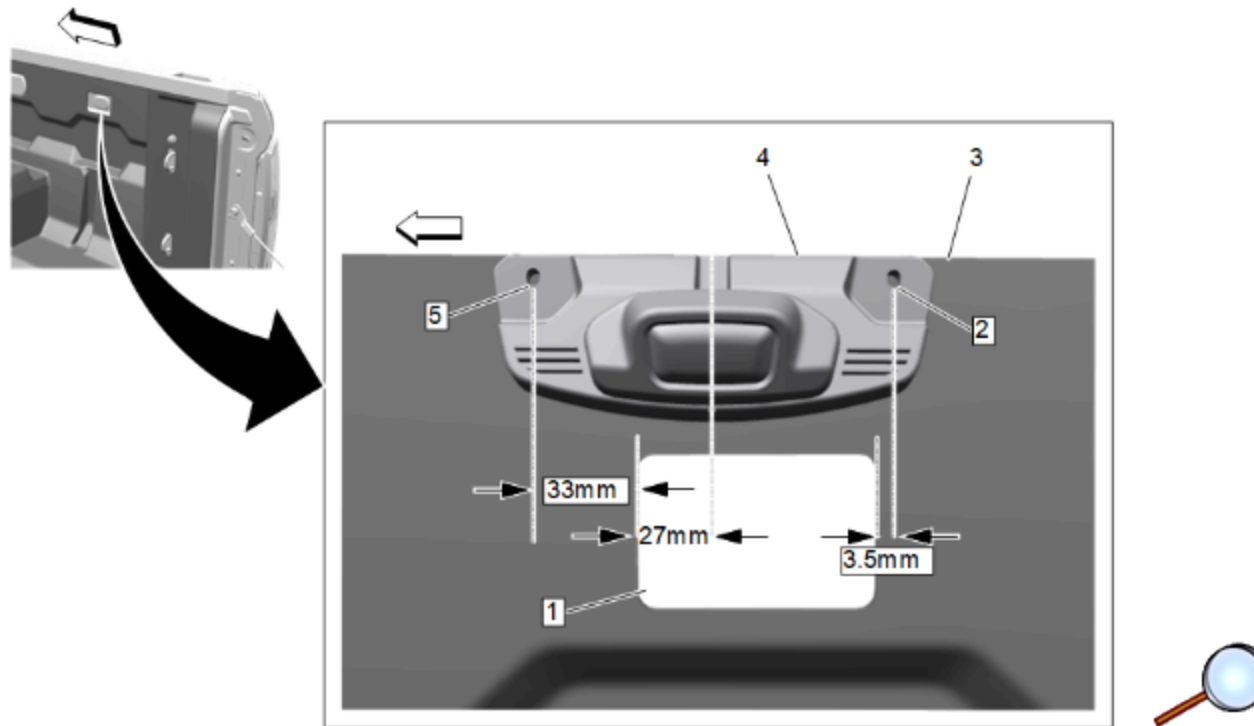


Note: Make sure to wear proper eye protection and gloves before cutting.

3.6. Remove the cargo lamp from bedliner and cut liner along previously marked line (1) using a suitable cutting tool.

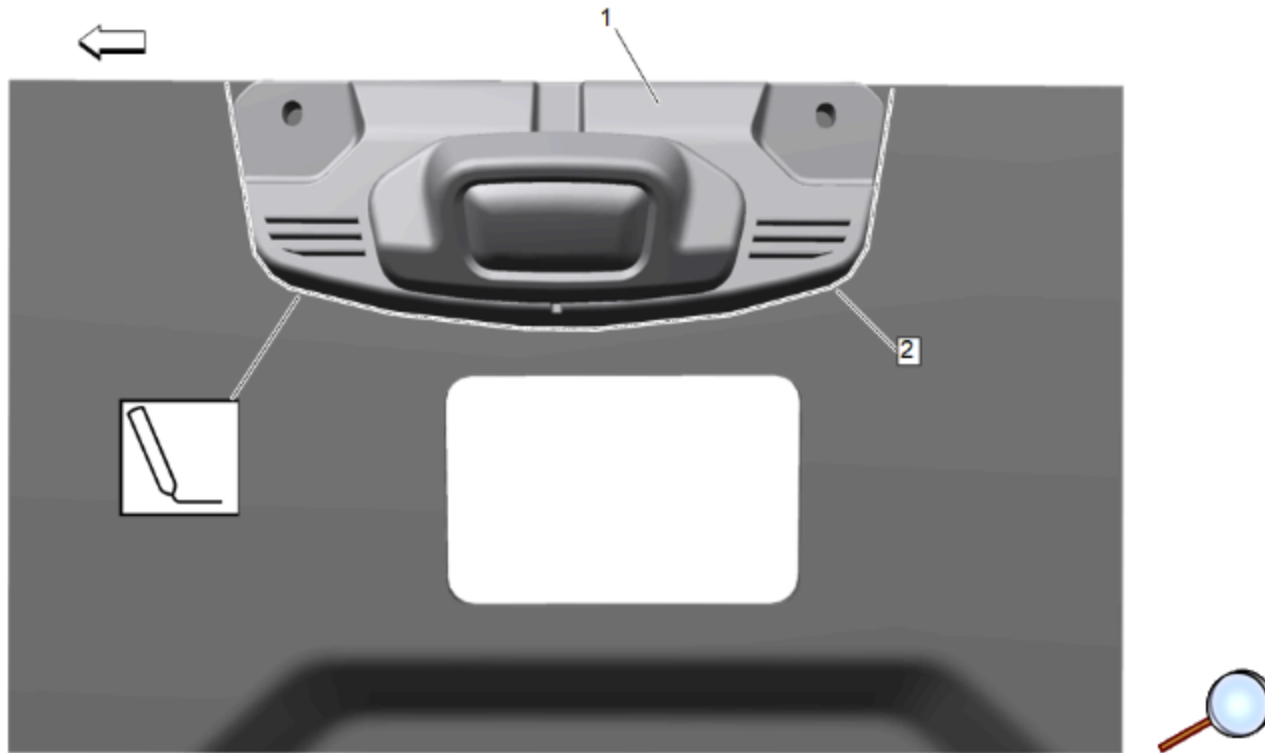


- 3.7. After cutting, ensure that there are no excess burrs or sharp edges around cut area (1). Sand and smooth out any burrs or sharp edges as necessary.
4. **Passenger Side:** Reposition the bedliner as necessary for cutting and lamp installation:



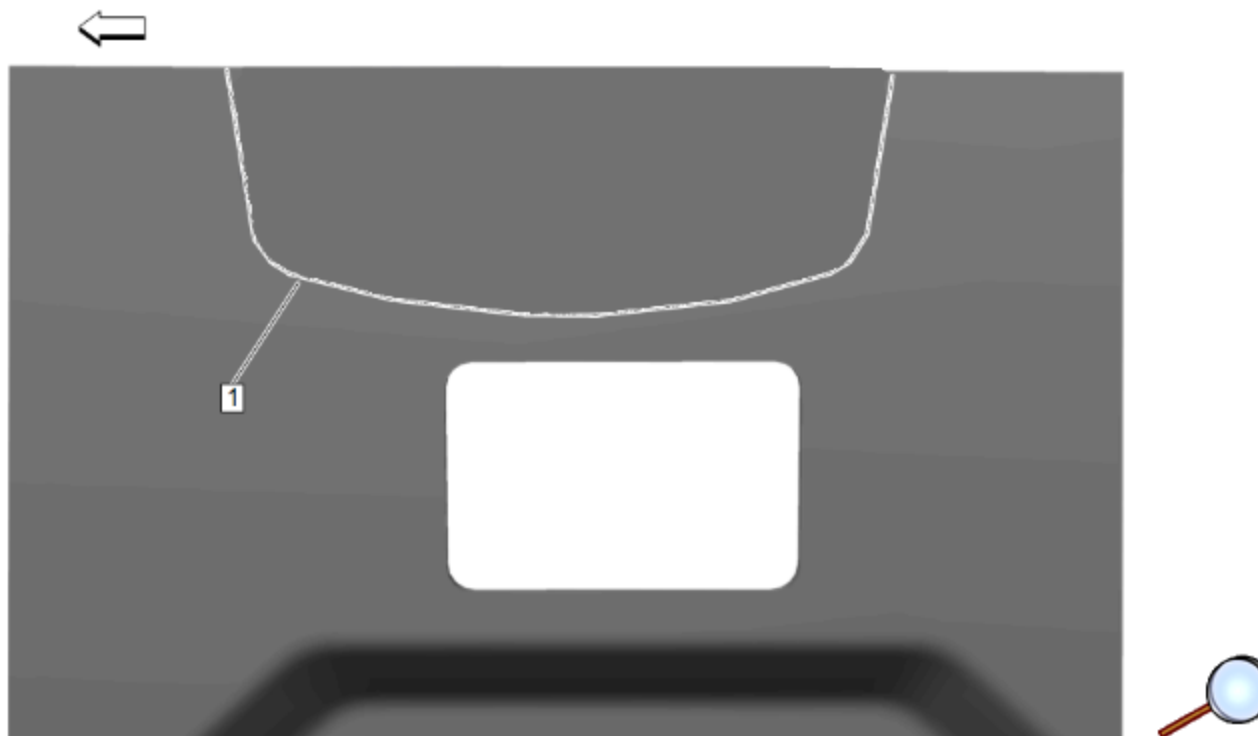
Note: The accessory cargo lamp bezel will be used as a template

- 4.1. Using the bed liner hole (1) as a reference point, place the lamp bezel (4) to the top of the bed liner (3).
- 4.2. Using the centerline of lamp while holding in position to top of bed liner, measure 27mm from the left side of bed liner hole (1).
- 4.3. While holding lamp (4) in position, measure 33mm from left side of bed liner hole (1). This should line up with the center of left lamp mounting hole (5).
- 4.4. While holding lamp (4) in position, measure 3.5mm from right side of bed liner hole (1). This should line up with the center of right lamp mounting hole (2).



© 2024 General Motors. All rights reserved.

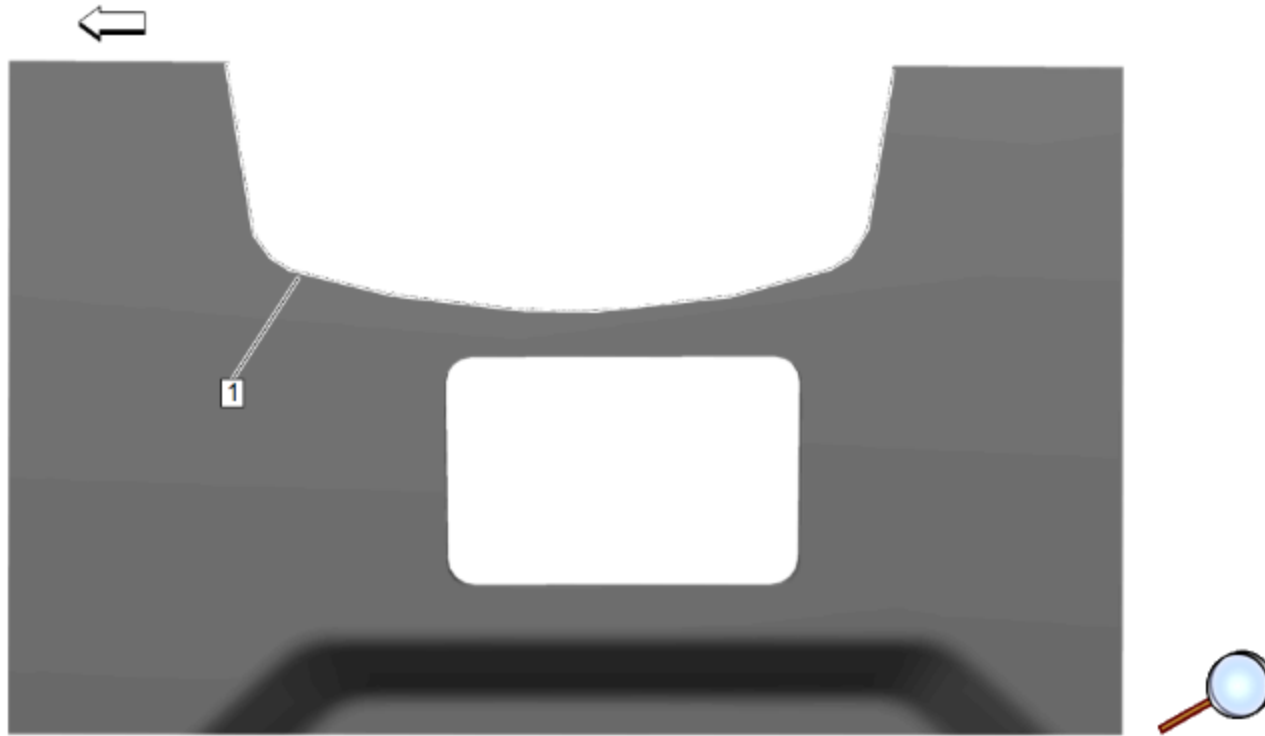
4.5. Once cargo lamp (1) is located properly, mark or scribe a cut line (2) around the outside of the lamp bezel with a suitable marking pen or scribe tool.



© 2024 General Motors. All rights reserved.

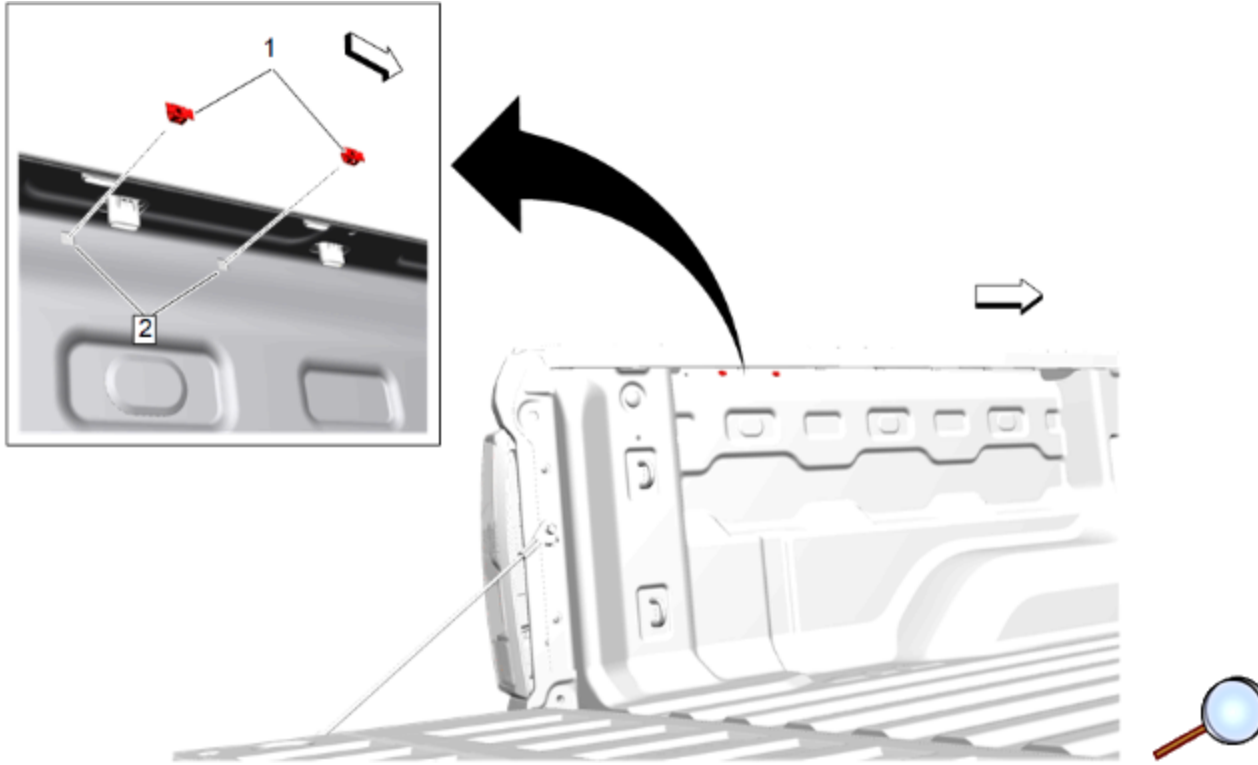
Note: Make sure to wear proper eye protection and gloves before cutting.

4.6. Remove the cargo lamp from bedliner and cut liner along previously marked line (1) using a suitable cutting tool.

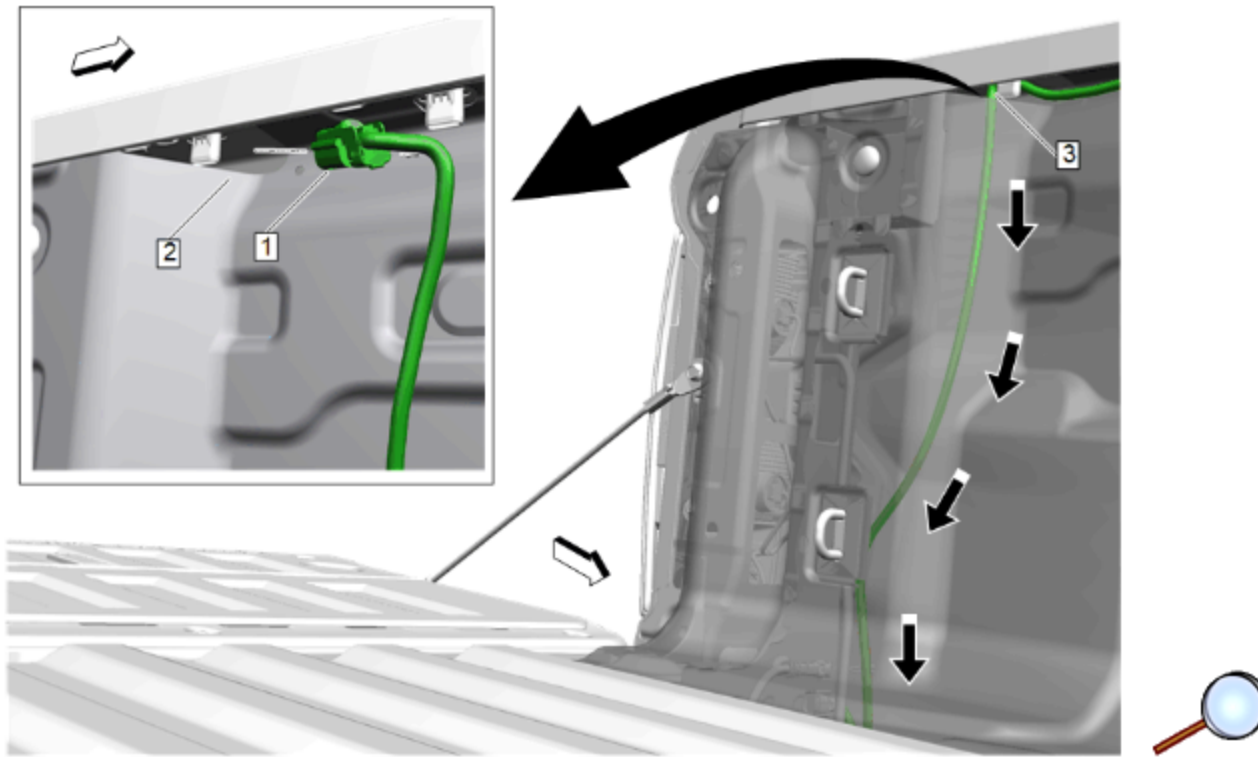


© 2024 General Motors. All rights reserved.

4.7. After cutting, ensure that there are no excess burrs or sharp edges around cut area (1). Sand and smooth out any burrs or sharp edges as necessary.

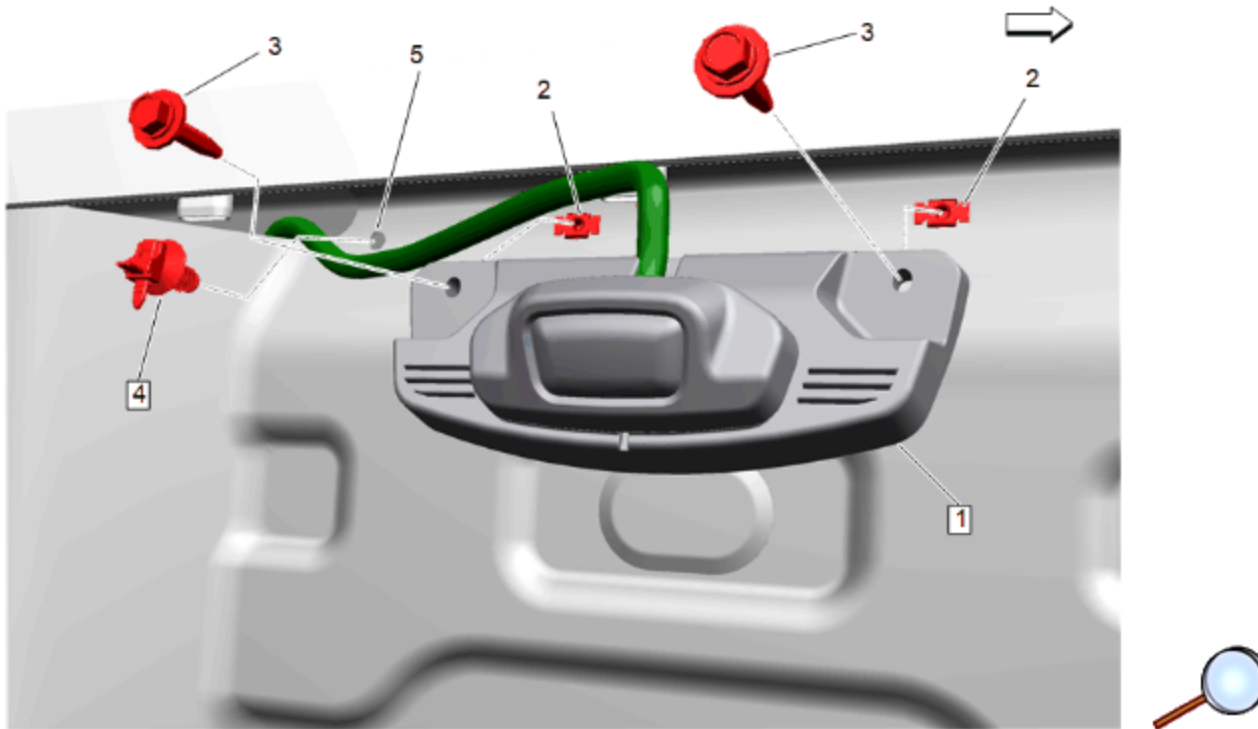


5. Install supplied push nuts (1) into the square holes (2) on the inner bedside panel.



© 2024 General Motors. All rights reserved.

6. Fish connector (1) and pigtail (3) of cargo lamp over the inner bedside panel (2) behind the tail lamp.

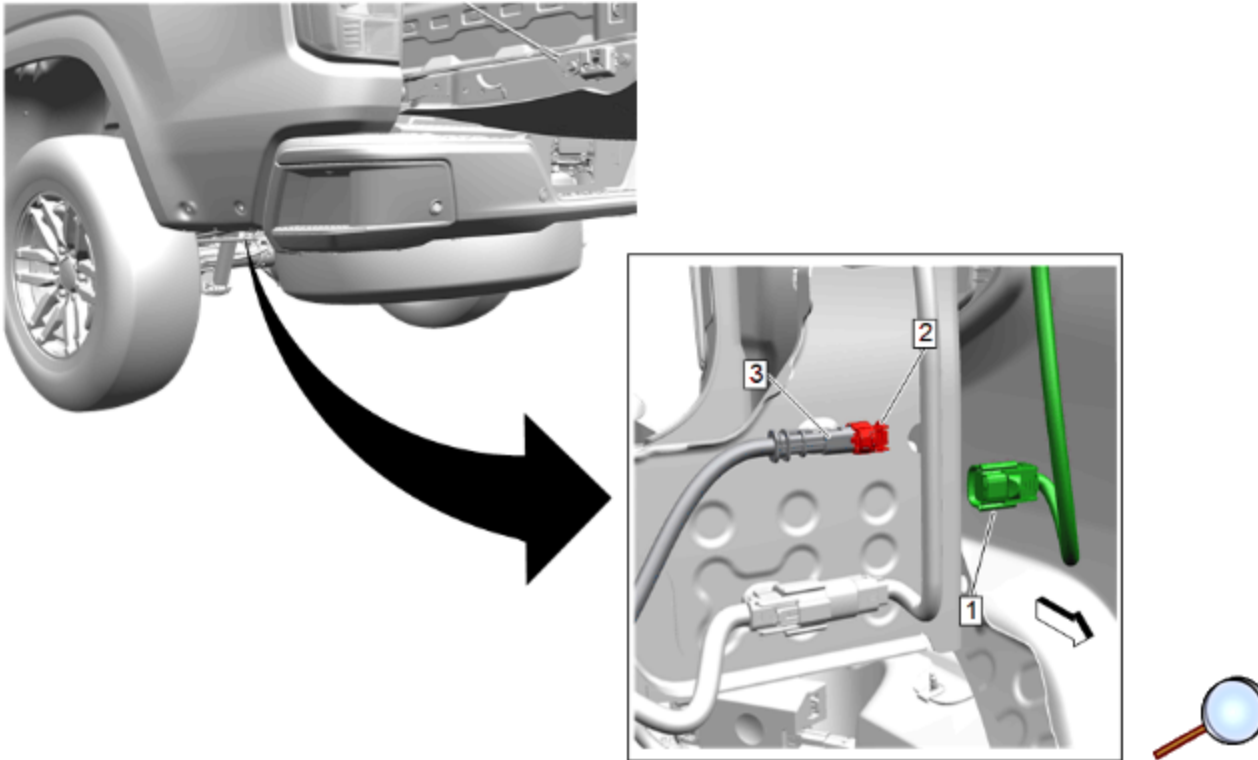


© 2024 General Motors. All rights reserved.

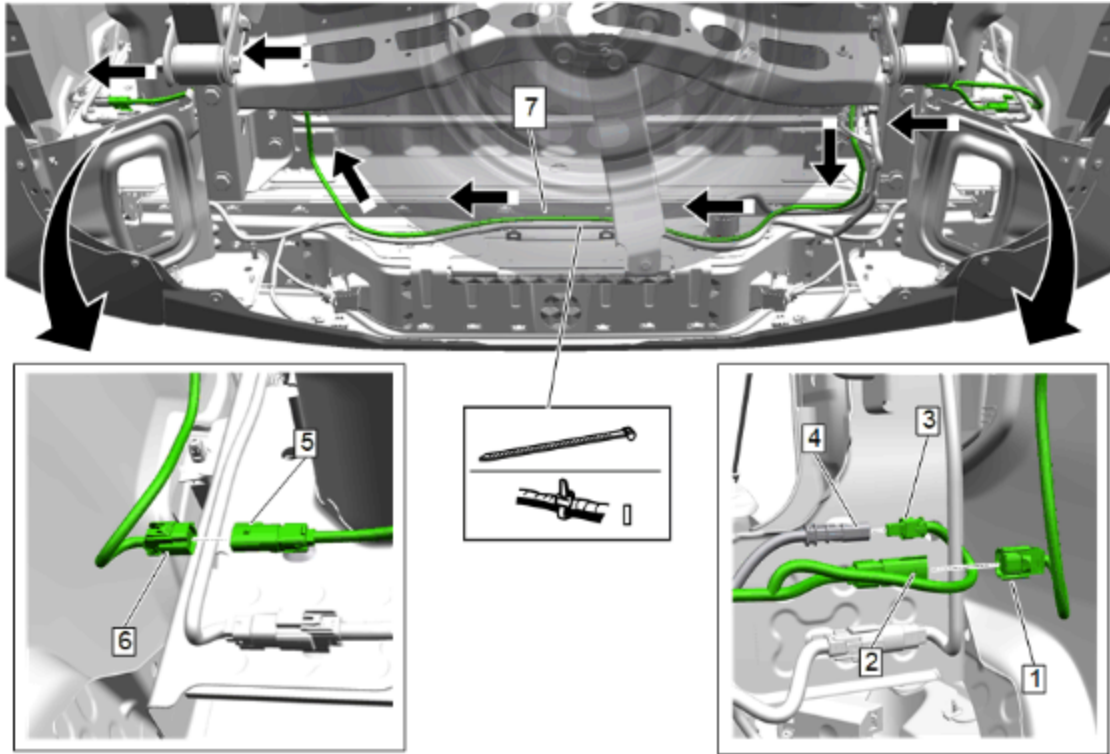
Caution: Use the correct fastener in the correct location. Replacement fasteners must be the correct part number for that application. Fasteners requiring replacement or fasteners requiring the use of thread locking compound or sealant are identified in the service procedure. Do not use paints, lubricants, or corrosion inhibitors on fasteners or fastener joint surfaces unless specified. These coatings affect fastener torque and joint clamping force and may damage the fastener. Use the correct tightening sequence and specifications when installing fasteners in order to avoid damage to parts and systems.

7. Align the cargo lamp assembly (1) to the push nuts (2) and secure with the supplied screws (3). Tighten screws to 2.5 N.m (22 lb in).
8. Insert supplied retainer clip (4) into the hex hole (5) on inner bed panel and secure tie strap around pigtail harness.

Note: Do not pull pigtail harness too tight, but ensure it is not easily visible.



9. Confirm that the pigtail connector (1) is hanging freely under bed panel.
10. Repeat steps 5 through 9 for opposite side lamp.
11. Locate connector cap (2) on left side and remove from connector (3).



12. Position supplied harness (7) to underside of vehicle.
13. On the left side of vehicle, insert small connector (3) to vehicle harness connector (4) and large connector of harness (2) to the cargo lamp pigtail harness connector (1).
14. Route harness (7) towards right side of vehicle over left chassis brace, spare tire and right chassis brace.
15. On the right side of vehicle, insert large connector of harness (5) to the cargo lamp pigtail harness connector (6).
16. Secure left and right side pigtail lamp harness to the rear lamp harness with tie strap. Trim excess off tie straps.
17. Secure harness (7) every 200mm with tie strap to holes in structure or other nearby harness making sure to keep harness away from any sharp edges or moving parts. Trim excess off tie straps.
18. Reposition the drop-in bedliner to its installed position, if equipped.
19. Reinstall bedliner plugs to bedliner holes, if equipped.
20. Cargo lamp is operated by capacitive touch. Operator should press with two fingers on the lens of one lamp and hold for 2 seconds to ensure working properly.
21. Close endgate.