

Rear Mud Guard Package Installation (Instruction ID: 84875447)

Installation Instructions Part Number

84875447

Note: Please read instructions thoroughly before starting.

Rear Mud Guard Kit Contents

Qty	Description
1	Left Hand Splash Guard
1	Right Hand Splash Guard
1	Left Hand Splash Guard Bracket
1	Right Hand Splash Guard Bracket
6	M4.2 x 20 Screw
6	M4.2 U-nut
2	Rivet
1	Instruction Sheet

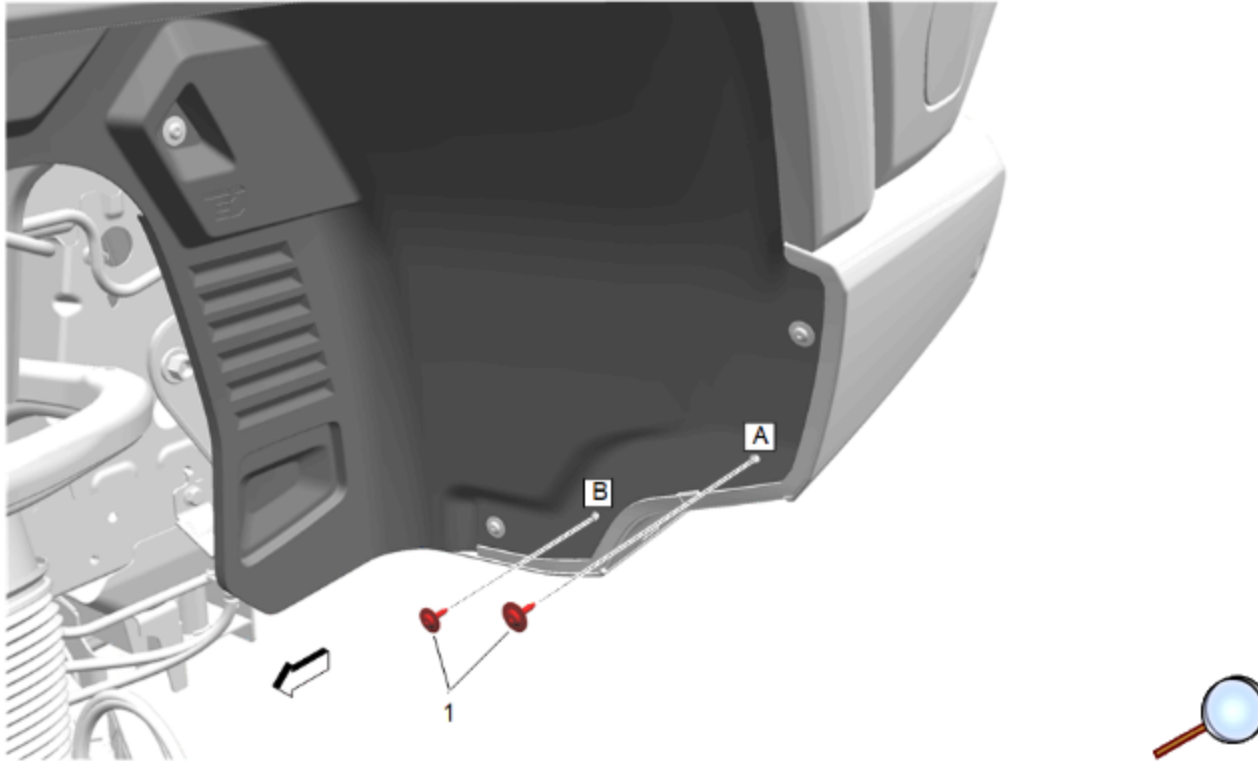
Tools Required

- Rivet Gun
- T15 Screw Driver
- Drill
- 13/64" (5.0mm) Drill Bit
- Awl
- Clean Cloth/Rag

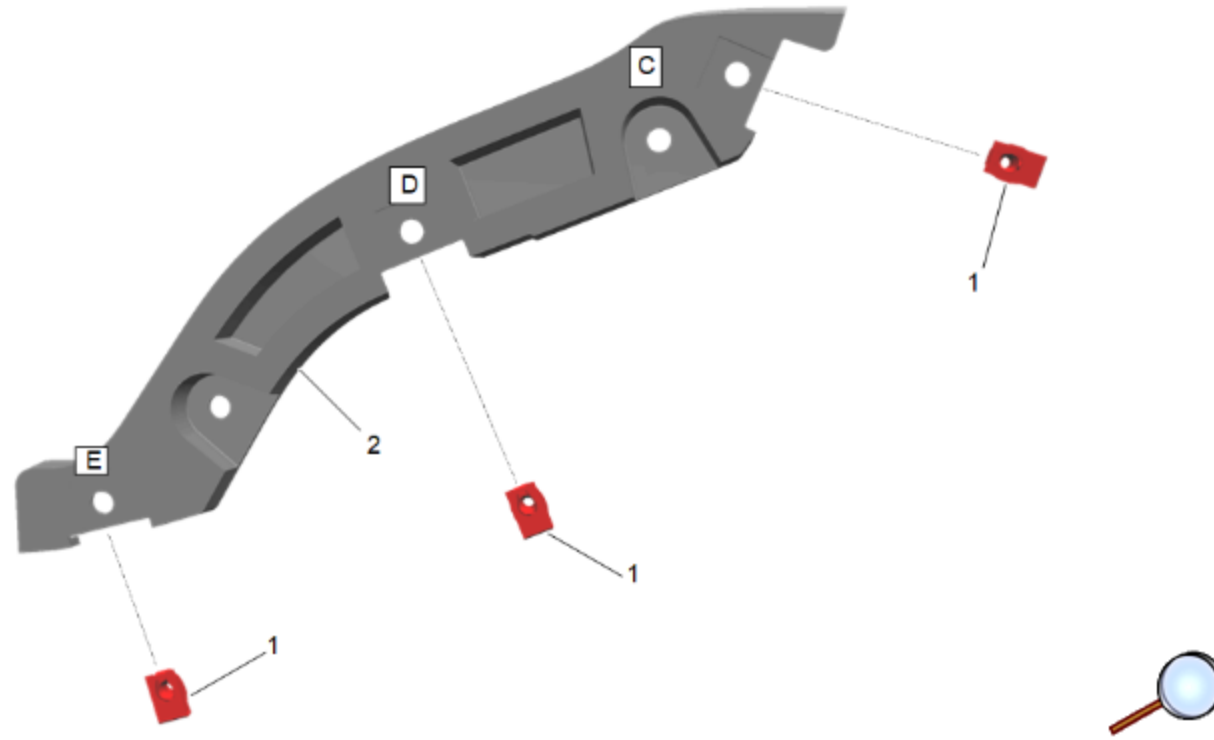
© 2024 General Motors. All rights reserved.

Installation Procedure

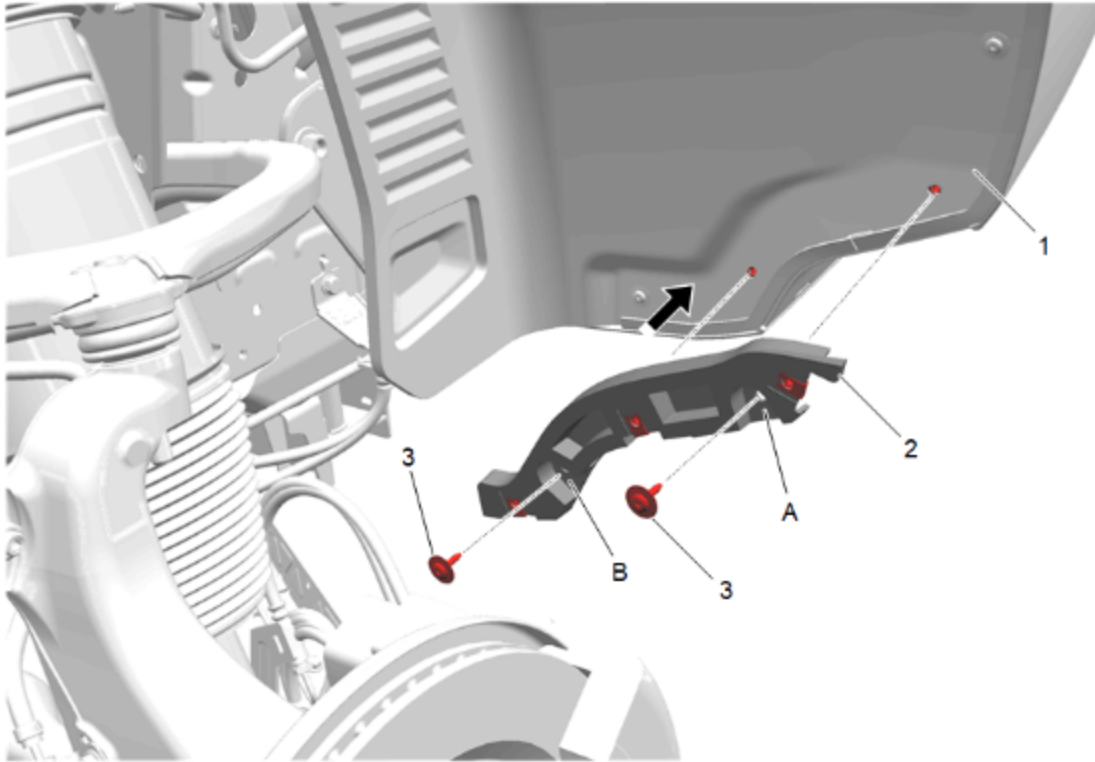
1. Remove the rear wheel and tire. Refer to [Tire and Wheel Removal and Installation](#) in Vehicle Service Manual.
2. Clean and degrease body panel where splash guards will be located.



3. Remove existing screws (1) at locations (A) and (B) and retain.



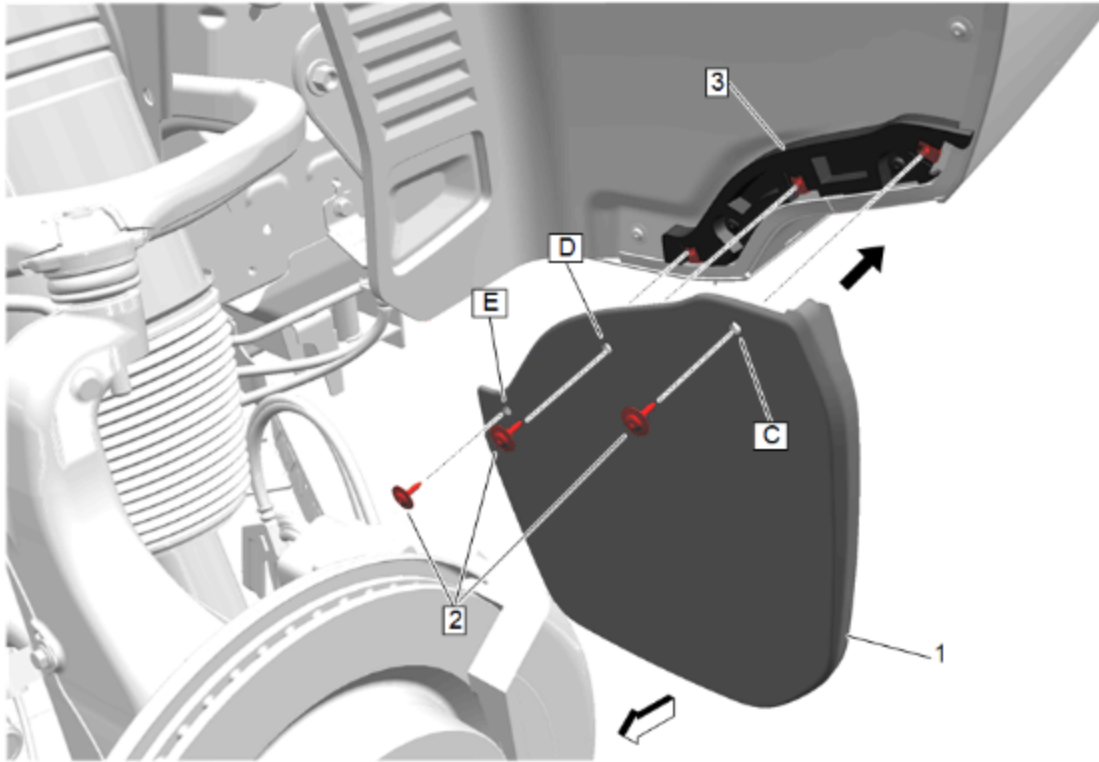
4. Place supplied U-nuts (1) onto supplied bracket (2) at locations (C), (D) and (E).



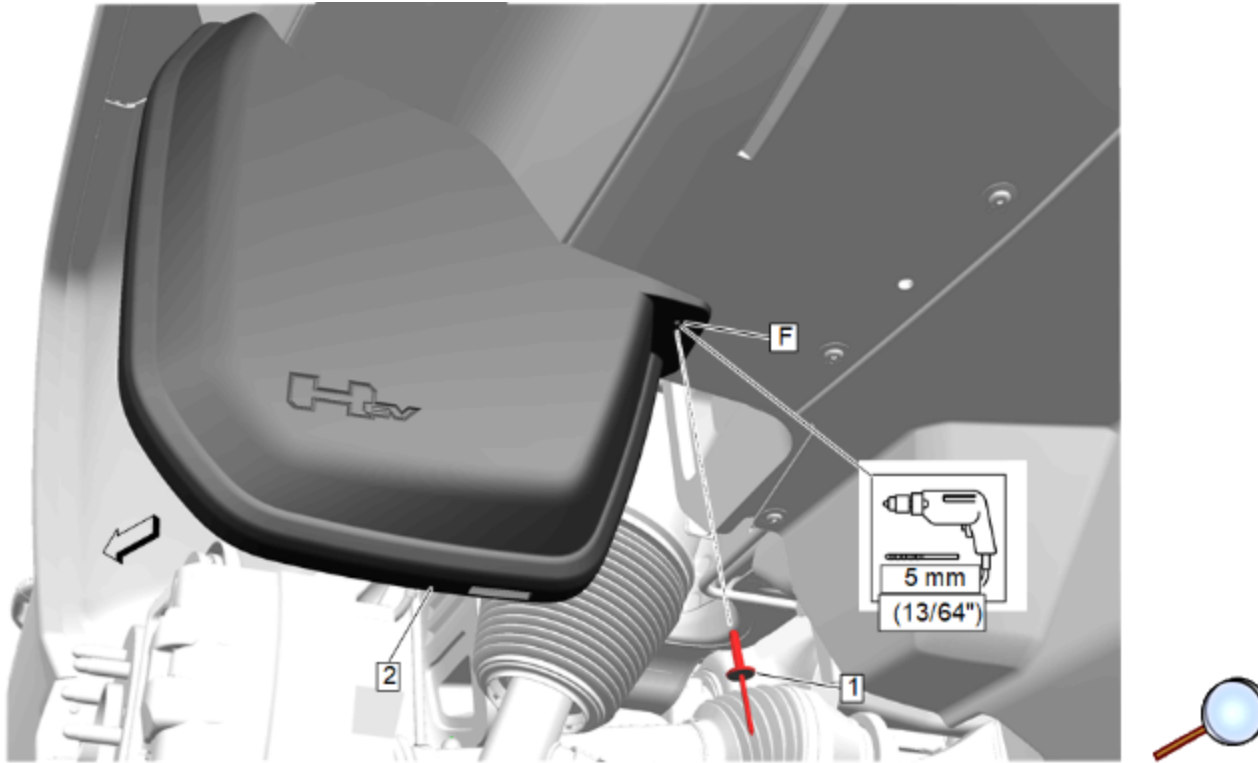
Caution: Use the correct fastener in the correct location. Replacement fasteners must be the correct part number for that application. Fasteners requiring replacement or fasteners requiring the use of thread locking compound or sealant are identified in the service procedure. Do not use paints, lubricants, or corrosion inhibitors on fasteners or fastener joint surfaces unless specified. These coatings affect fastener torque and joint clamping force and may damage the fastener. Use the correct tightening sequence and specifications when installing fasteners in order to avoid damage to parts and systems.

Note: Do not use power tools to install fasteners.

5. Place bracket (2) to vehicle (1) and install the previously retained screws (3) at locations (A) and (B). Tighten the screws to 3.0 N.m (27 lb in).



6. Place splash guard (1) to bracket (3) taking care to remove any gaps to the vehicle and install supplied screws (2) to locations (C), (D) and (E). Tighten the screws to 3.0 N.m (27 lb in).



Caution: Always check position of splash guard before drilling. Failing to do so may cause damage to the vehicle, misalignment of components or the inability to install the accessory.

7. While holding splash guard (2) firmly to vehicle, take care to remove any gaps, drill a 13/64" (5.0mm) hole through the splash guard and the rear fascia at location (F) . Install the supplied rivet (1) at location (F).
8. Re-install the rear wheel and tire. Refer to [Tire and Wheel Removal and Installation](#) in Vehicle Service Manual.
9. Repeat for other side.
10. Guards can be cleaned with any commercially available cleaner.