

**Document ID: 6270829**

# Rear Wheelhouse Panel Liner Package Installation (Instruction ID: 84892545)

**Installation Instructions Part Number**

84892545

Unpack contents of box and take inventory.

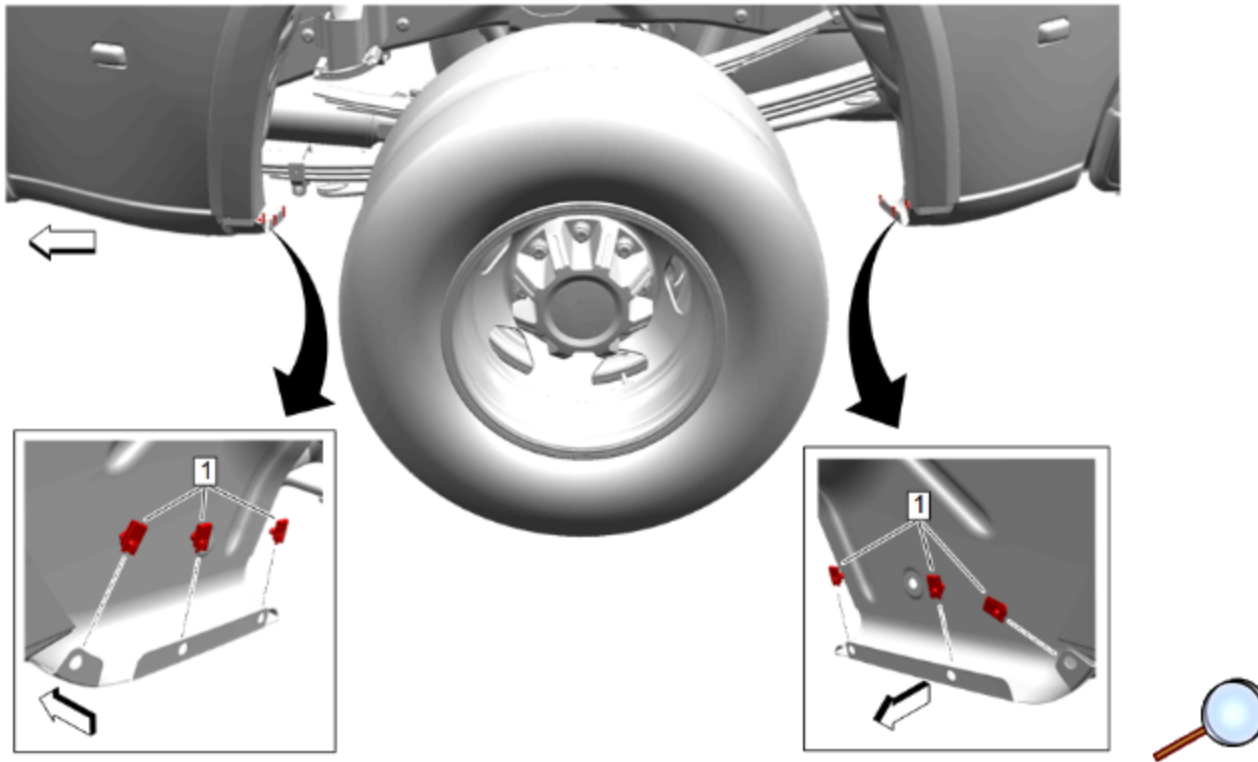
**Kit Contents**

Description	Qty:
LHS Front Half – Wheel Liner	1
RHS Front Half – Wheel Liner	1
LHS Rear Half – Wheel Liner	1
RHS Rear Half – Wheel Liner	1
Attachment Package	1
Bolt (Part of attachment package)	40
Plastic Retainer (Part of attachment package)	2
Plastic Threaded Nut (Part of attachment package)	4
Nut (Part of attachment package)	20
Harness Retainer (Part of attachment package)	2
Installation Instructions	1

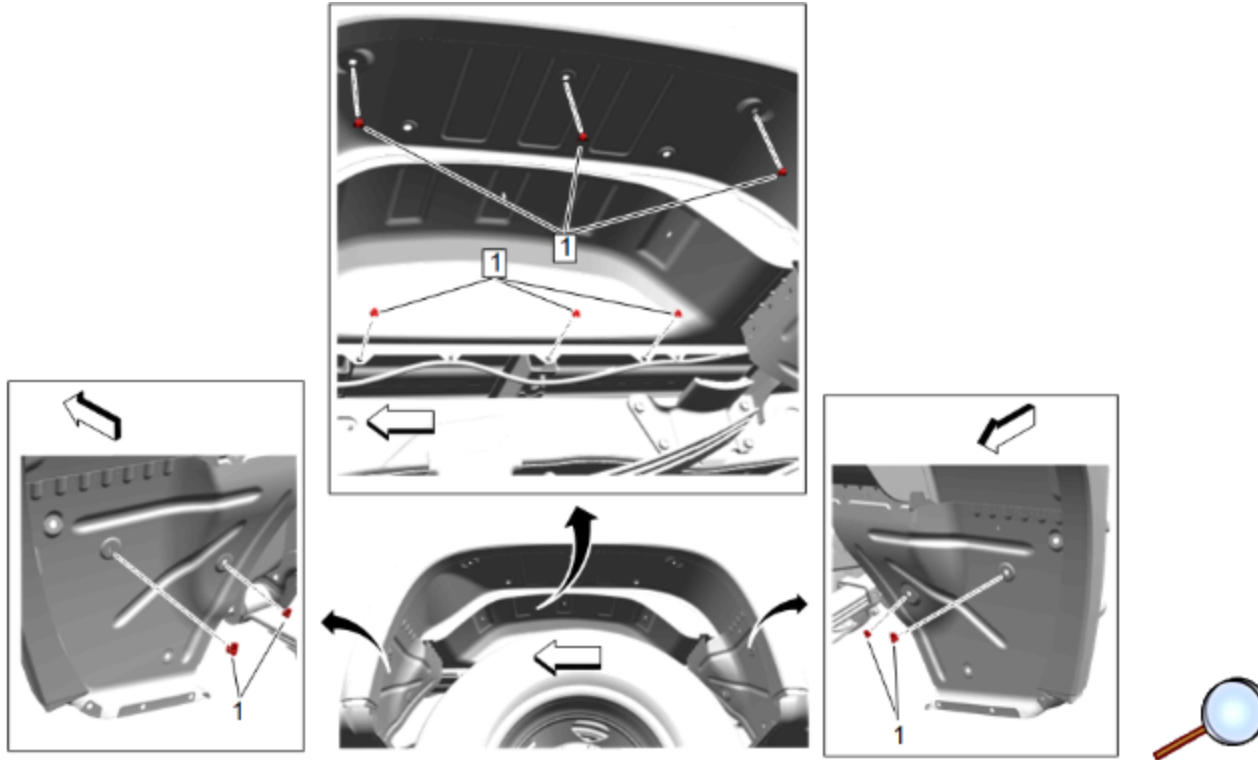
© 2024 General Motors. All rights reserved.

## Procedure

1. Remove the rear tire front air deflector, retain the lower fasteners. Refer to [Rear Tire Front Air Deflector Replacement](#) in Vehicle Service Manual.
2. Remove the rear pickup box paint protector, retain the lower fasteners. Refer to [Rear Pickup Box Paint Protector Replacement](#)



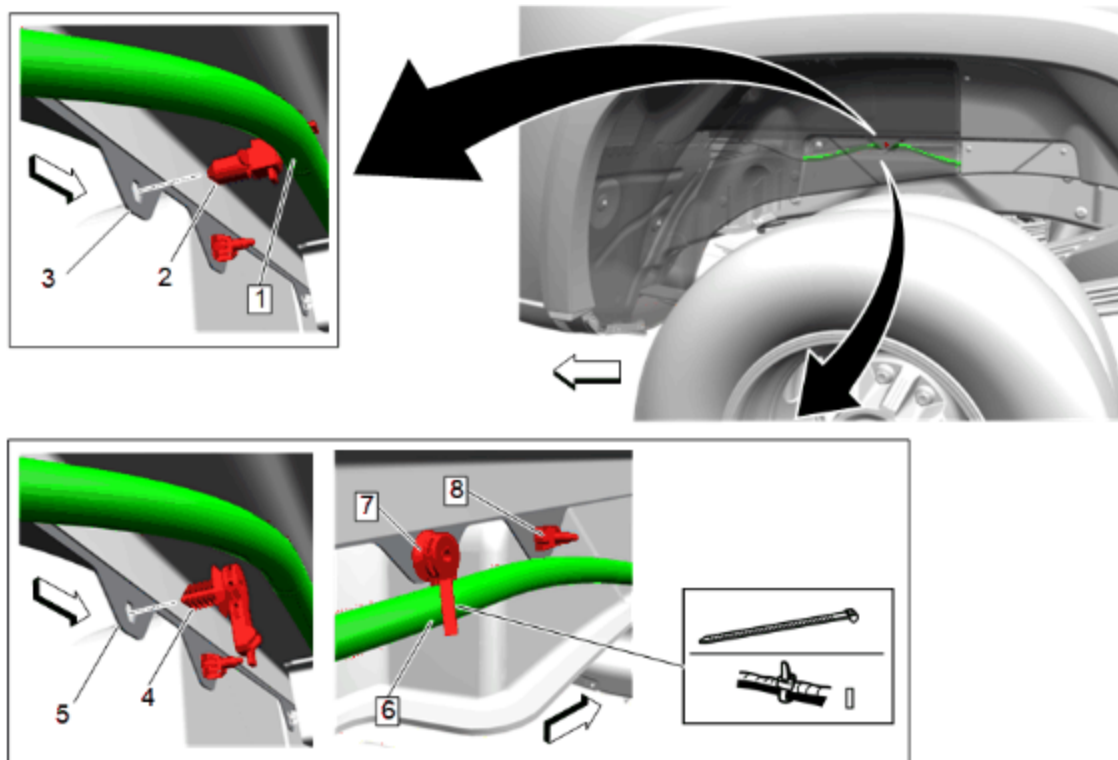
3. Remove and discard the U Clips (1) at the front and rear of lower wheelhouse.



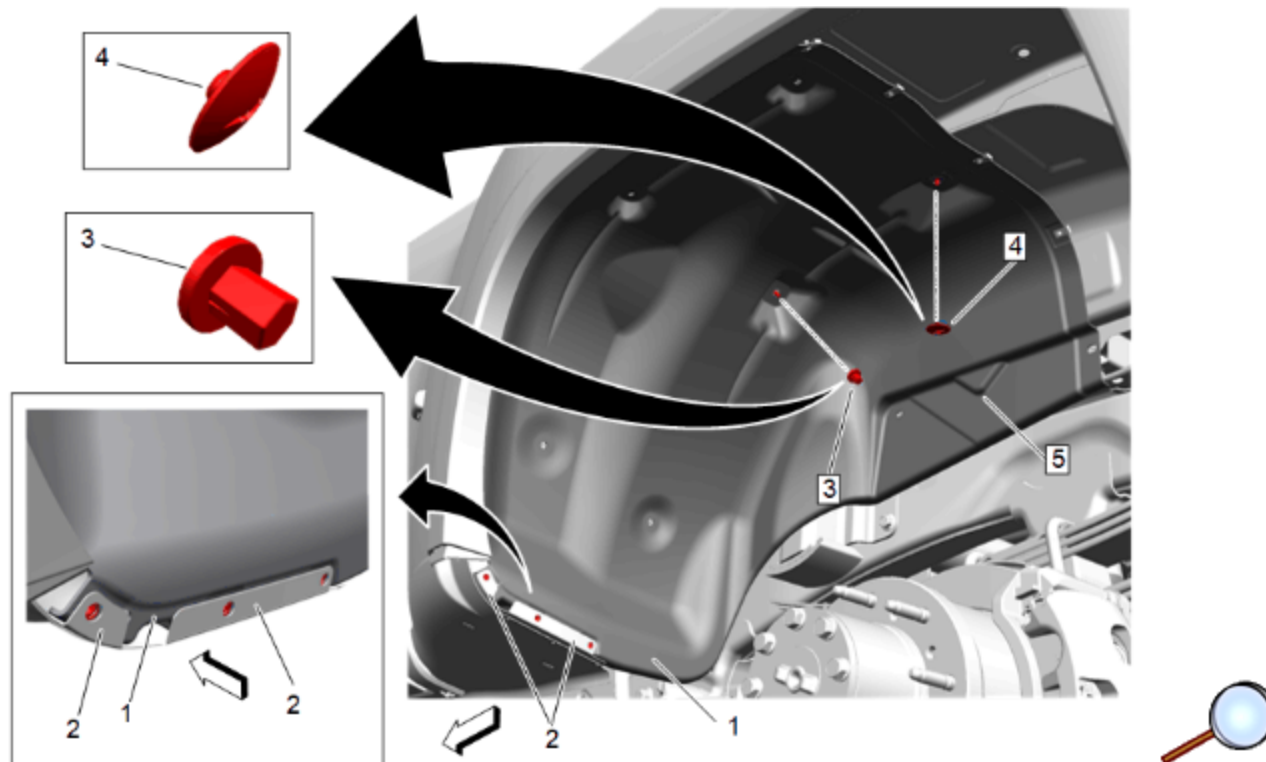
**Note:** Removal of rear wheel and tire is not required to install the rear wheelhouse panel liners. The rear wheel and tire is shown as removed for clarity only.

**Caution:** Use the correct fastener in the correct location. Replacement fasteners must be the correct part number for that application. Do not use paints, lubricants, or corrosion inhibitors on fasteners, or fastener joint surfaces, unless specified. These coatings affect fastener torque and joint clamping force and may damage the fastener. Use the correct tightening sequence and specifications when installing fasteners in order to avoid damage to parts and systems. When using fasteners that are threaded directly into plastic, use extreme care not to strip the mating plastic part(s). Use hand tools only, and do not use any kind of impact or power tools. Fastener should be hand tightened, fully seated, and not stripped.

4. Insert the ten supplied push nuts (1) into the wheelhouse areas as shown.



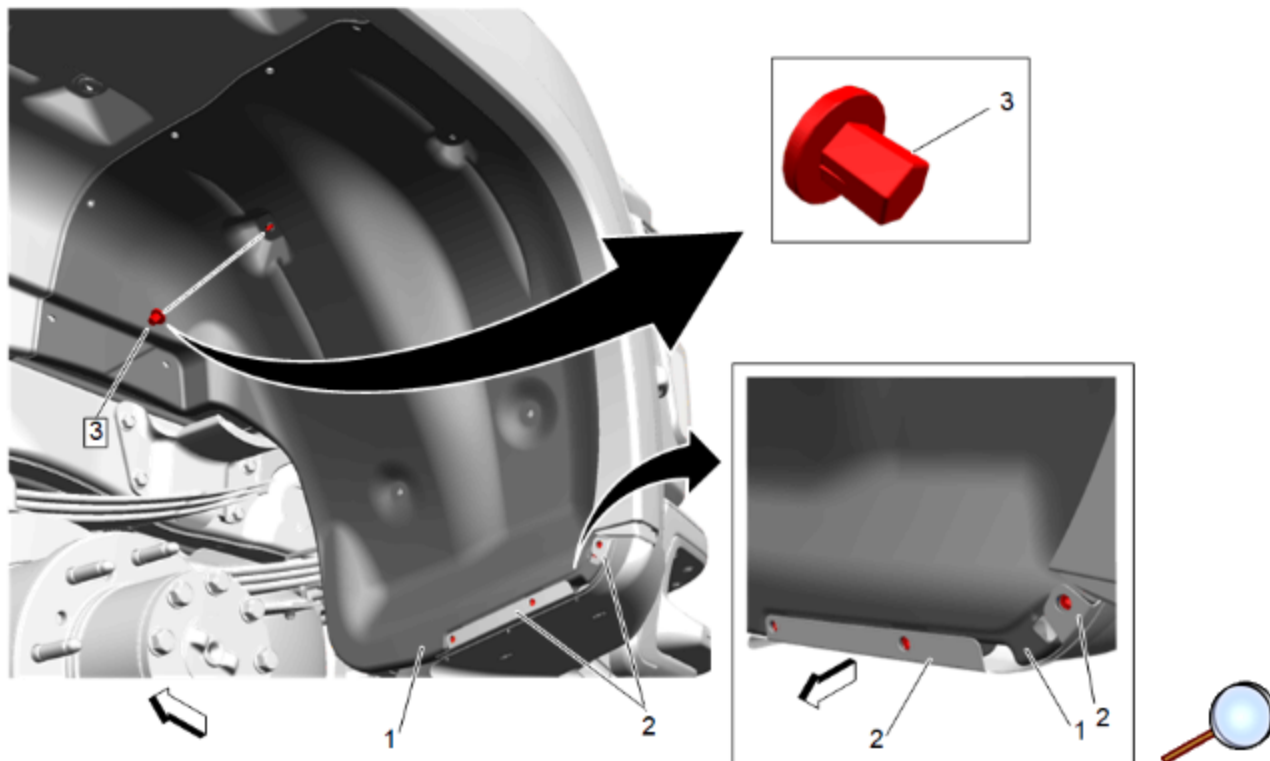
5. From behind the front half of wheelhouse, disengage wire harness clip (2) from sheet metal (3) and remove clip from wire harness (1). Discard clip.
6. Install supplied wire harness clip (4) to sheet metal (5).
7. Reposition the wire harness (6) the wire harness clip (7). Secure the wire harness with clip tie strap while making sure the wire harness does not come in contact with the future location of wheelhouse screw (8).



**Note:** The front half of wheelhouse liner is identified by arrow type feature (5) on panel.

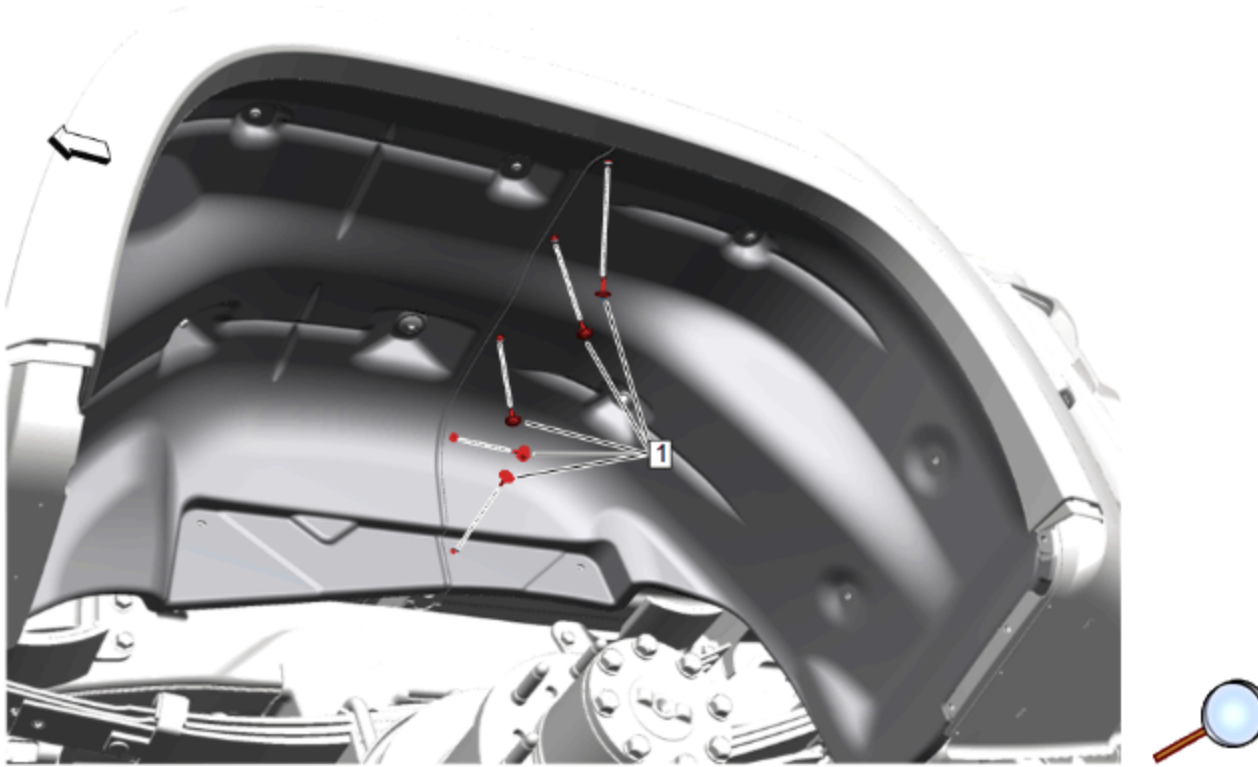
**Note:** U Clips come pre installed on wheelhouse liner assembly.

8. Position the front half of wheelhouse liner (1) to the vehicle, make sure liner sits behind the sheet metal (2). Install the supplied large plastic retainer (4).
9. Install the supplied plastic threaded nut (3). Tighten to 2.5 N.m (22 lb in).

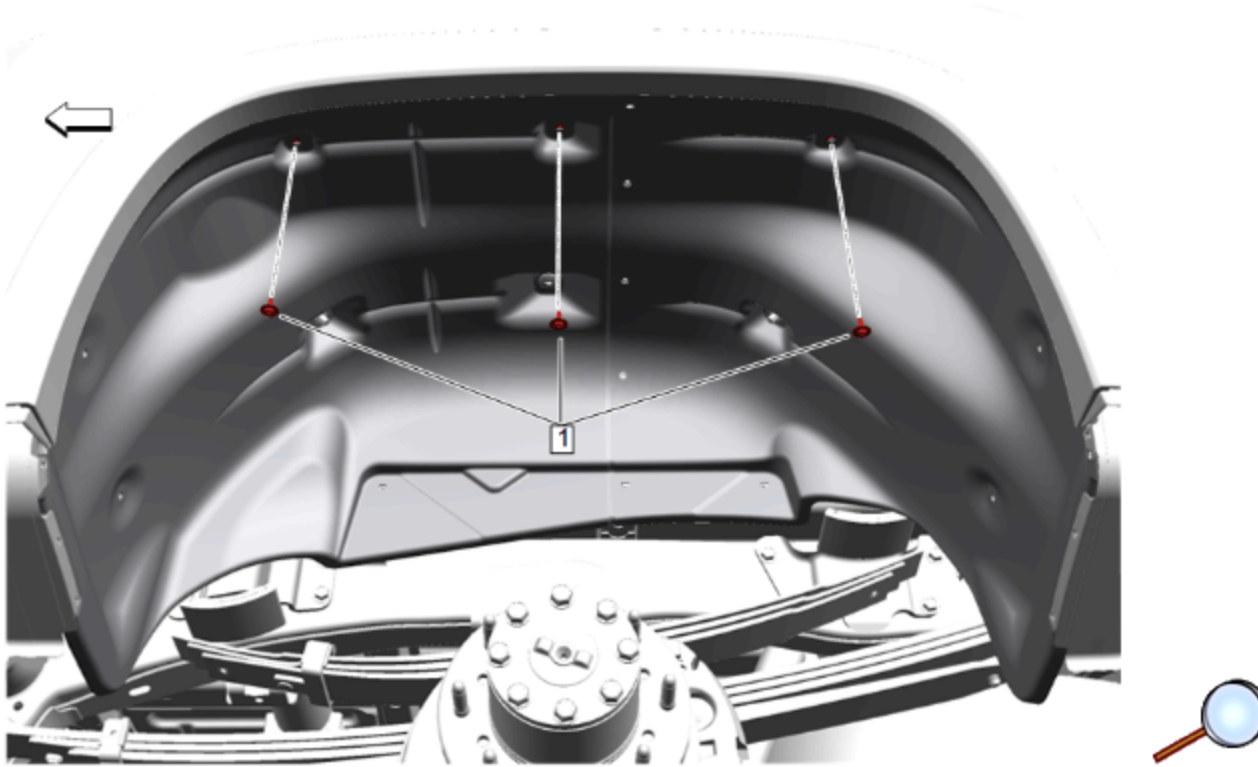


**Note:** U Clips come pre installed on wheelhouse liner assembly.

10. Position the rear half of wheelhouse liner (1) to the vehicle, make sure liner sits behind the sheet metal (2).
11. Install the supplied plastic threaded nut (3). Tighten to 2.5 N.m (22 lb in).

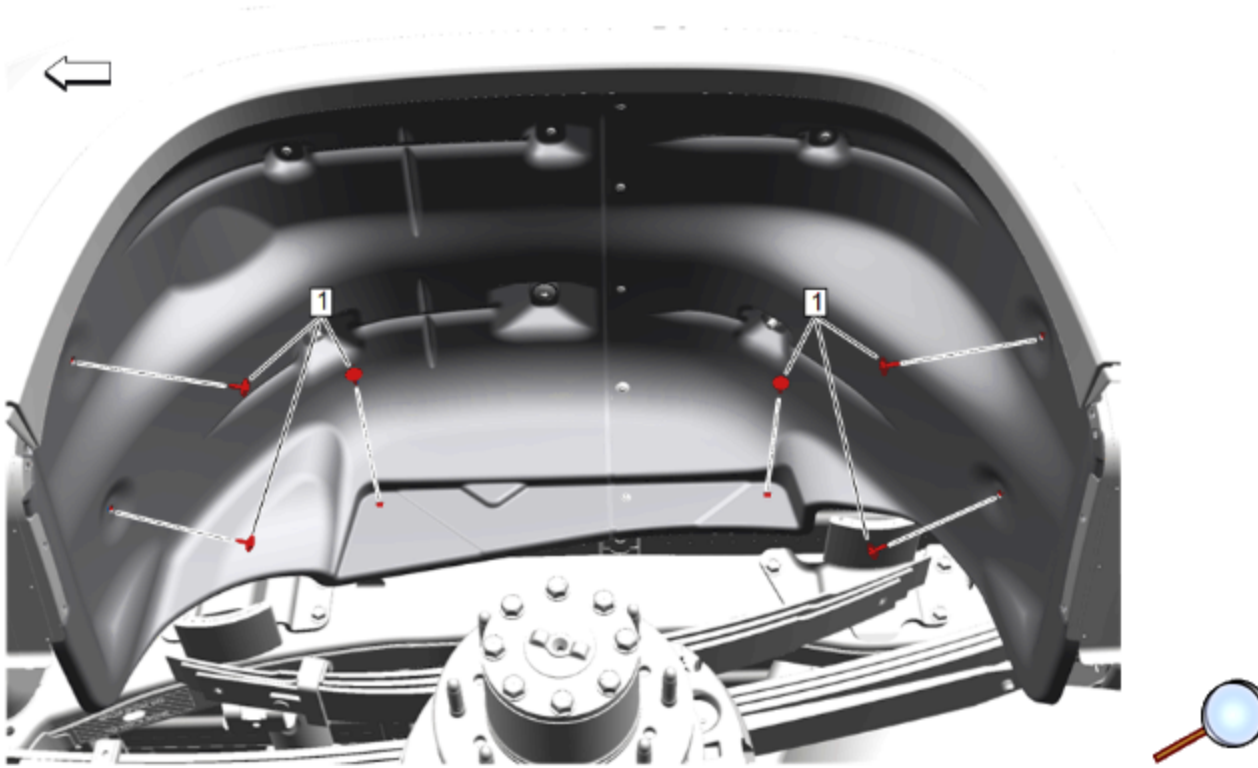


12. Install the supplied bolts (1) Qty:5 that attach the front and rear half of wheelhouse liners together. Tighten to 2.5 N.m (22 lb in).

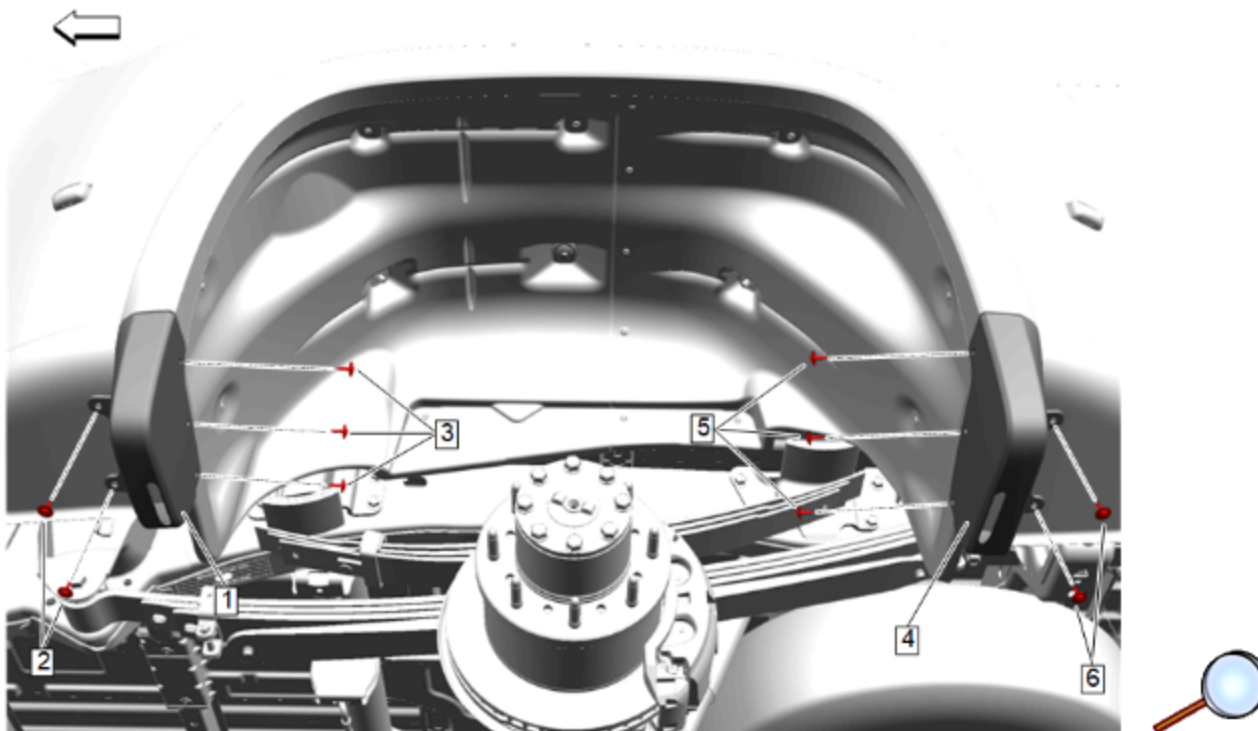


13. Install the supplied bolts (1) Qty:3 to the outboard edge of wheelhouse liner. Tighten to 2.5 N.m (22 lb in).

© 2024 General Motors. All rights reserved.



14. Install the remaining supplied bolts (1) Qty:6 that attach the liner to the wheelhouse. Tighten to 2.5 N.m (22 lb in).



15. Re-install the rear tire front air deflector (1) to the vehicle.
16. Install the previous retained bolts (2) to rear tire front air deflector. Tighten to 2.5 N.m (22 lb in).
17. Install the supplied bolts (3) Qty:3 to rear tire front air deflector. Tighten to 2.5 N.m (22 lb in).
18. Re-install the rear pickup box paint protector (4) to vehicle.
19. Install the previous retained bolts (6) to rear pickup box paint protector. Tighten to 2.5 N.m (22 lb in).
20. Install the supplied bolts (5) Qty:3 to rear pickup box paint protector. Tighten to 2.5 N.m (22 lb in).
21. Repeat procedure for opposite side.