

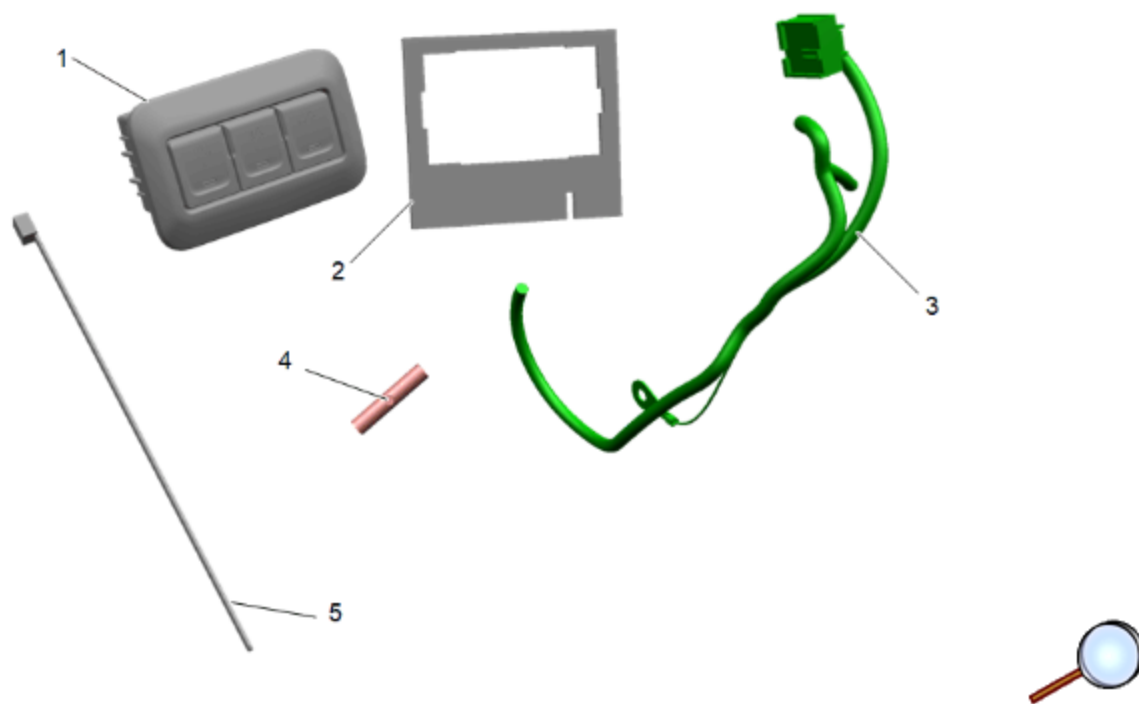
Document ID: 6082772

Auxiliary Multifunction Switch Package Installation (Instruction ID: 84938261)

Installation Instructions Part Number

84938261

© 2024 General Motors. All rights reserved.



Kit Contents

Item	QTY	Description
1	1	Switch - 3 Gang

Item	QTY	Description
2	1	Switch Template
3	1	Aux Switch Harness
4	5	Wire Splice
5	6	Tie Strap
-	1	Installation Instructions

© 2024 General Motors. All rights reserved.

Tools Required

Plastic flat-bladed tool

2' long fish/hook tool

Waterproof silicone sealant or equivalent

Crimp pliers

Wire cutters/strippers

Drill and 3/8" drill bit (optional)

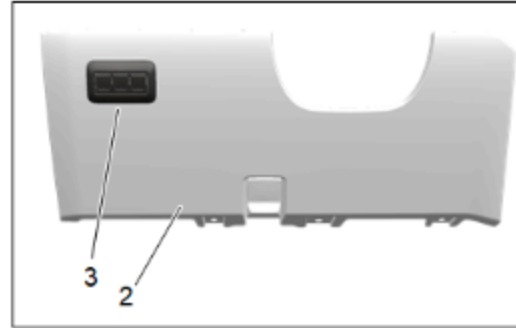
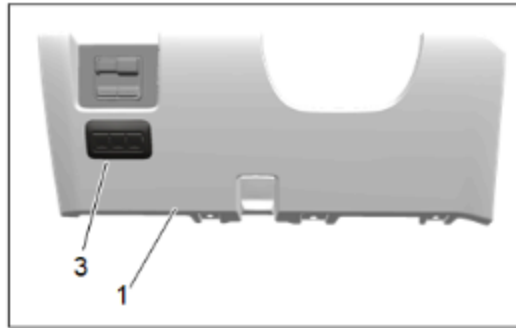
Suitable plastic cutting tool

File

Straight pick tool

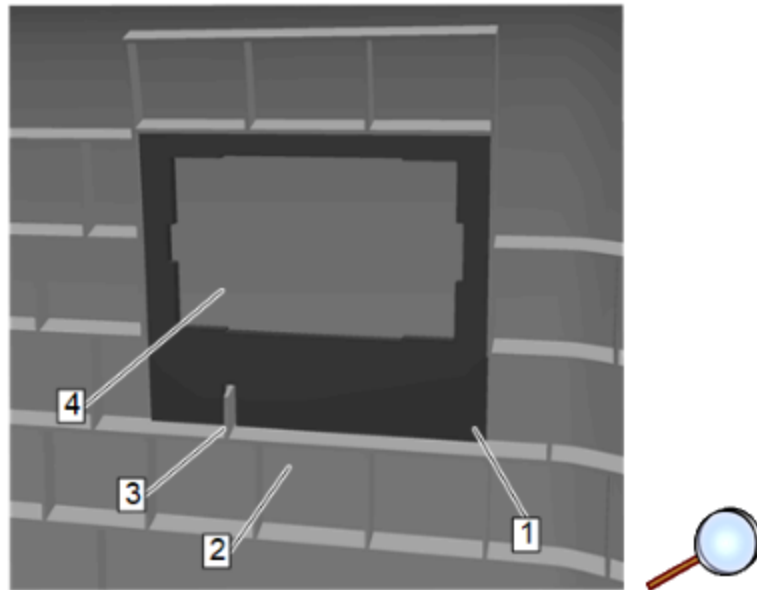
Procedure

1. Disconnect the negative battery cable. Refer to [Battery Negative Cable Disconnection and Connection](#) in Vehicle Service Manual.



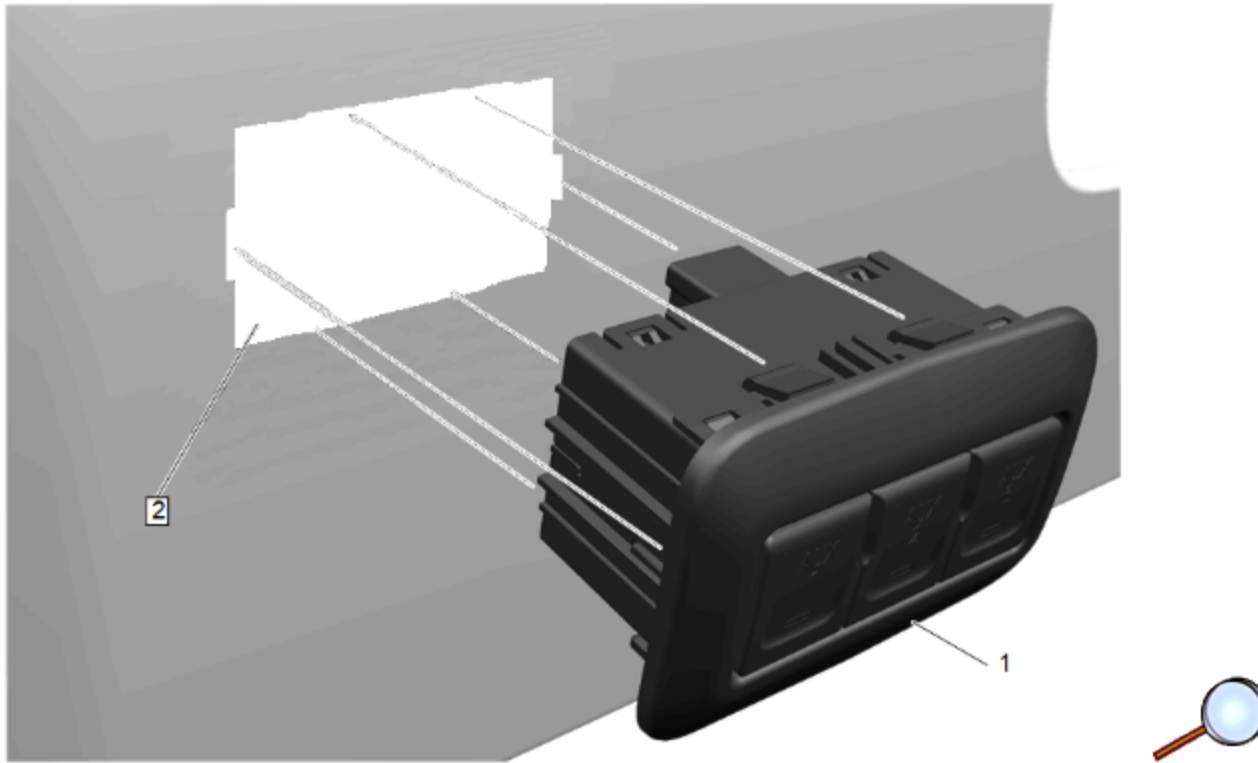
Note: There are two versions of the instrument panel knee bolster. One that may have a trailer brake switch (1) and one without trailer brake switch (2). Each show where the switch (3) will be located.

- Remove the instrument panel knee bolster. Refer to [Instrument Panel Knee Bolster Replacement](#) in Vehicle Service Manual.

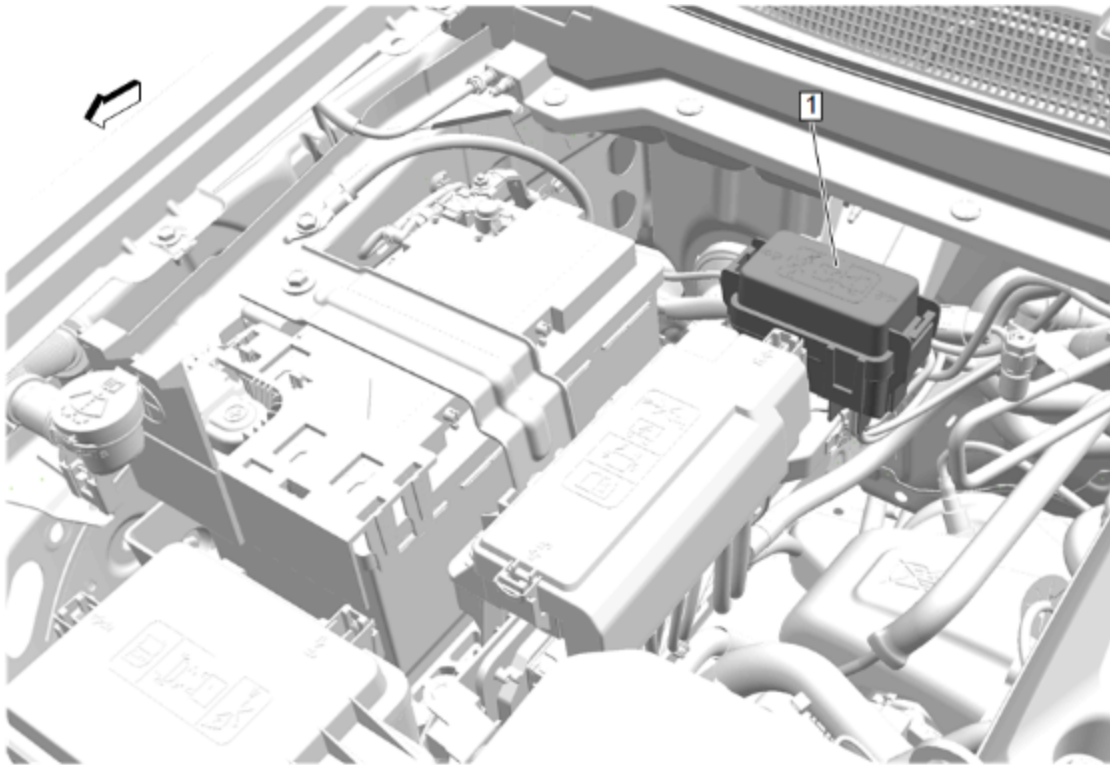


- Locate the template (1) within the kit and position it into the ribs on the back (B-surface) of the panel (2) matching up the locator slot (3) as shown.

- Using a suitable cutting tool, cut out a clean opening (4) inside the trim template of the knee bolster trim for the switch to fit in and make sure the edges are free from any burrs (clean up, if necessary).

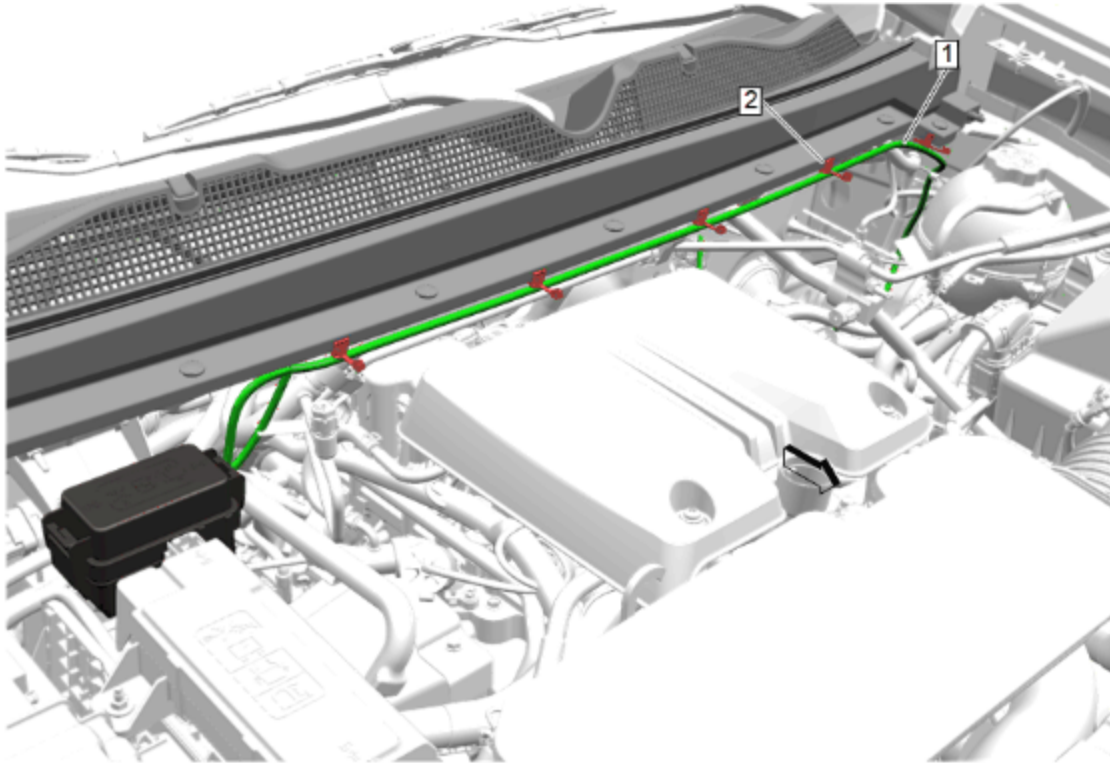


- Locate the switch (1) within the kit and snap it into position from the front side (A-surface) of the knee bolster into the newly cut hole (2). Make sure the cut-out opening allows switch to sit flat and lock into the panel with no visible openings in the trim.



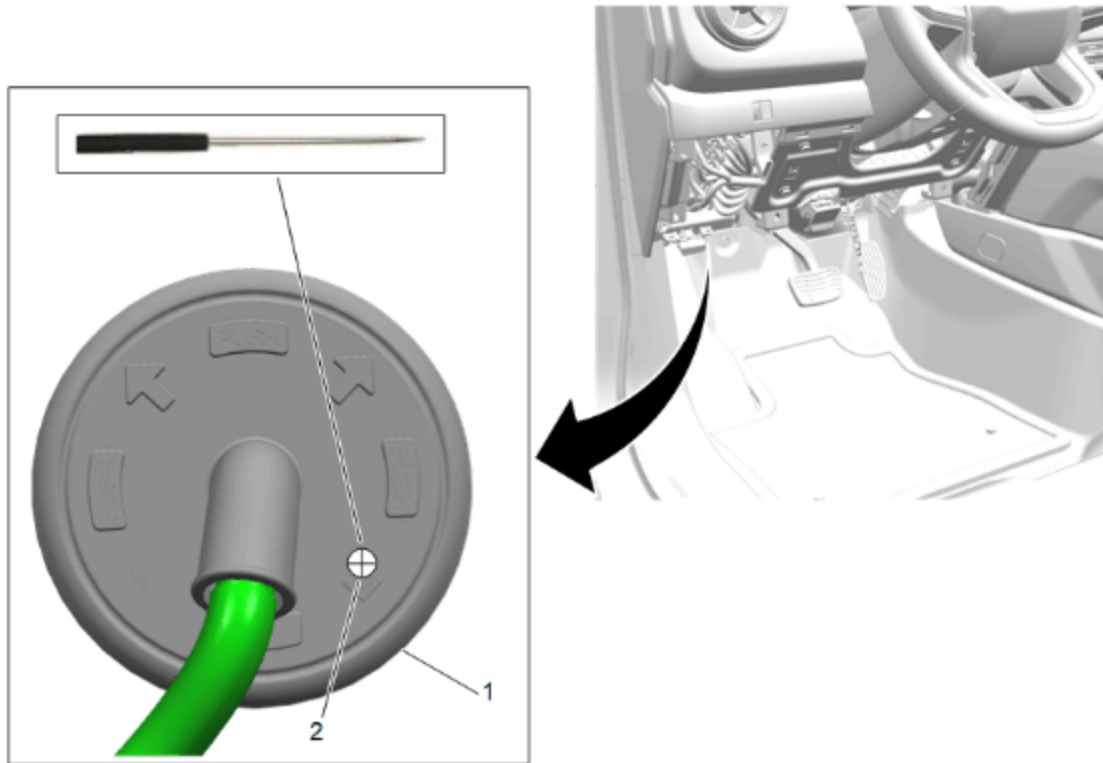
Note: Steps 6-15 and 28 are intended for attaching the wiring to the accessory relay box. If you are hooking up to a winch, follow the winch instructions. These switches may also be used in other applications (not shown) that need a switch to ground the relay coil, as the switch should not be used to drive loads directly. Make sure to properly size the wiring and use GM approved relays when using for "other applications". All wiring needs to be secured so a person cannot come in contact with it.

6. Assure there is a relay box (1) mounted under the hood on the passenger side plenum and find the wiring that was set aside to be joined to the switch wiring. The relay box was installed via installation instruction 84938257. Refer to [Accessory Wiring Junction Block Package Installation](#) in Vehicle Accessory Manual.



© 2024 General Motors. All rights reserved.

7. The wiring (1) that is needed to mate to the switch wiring should be to the far right below the edge-biter clip (2) closest to the driver side fender.

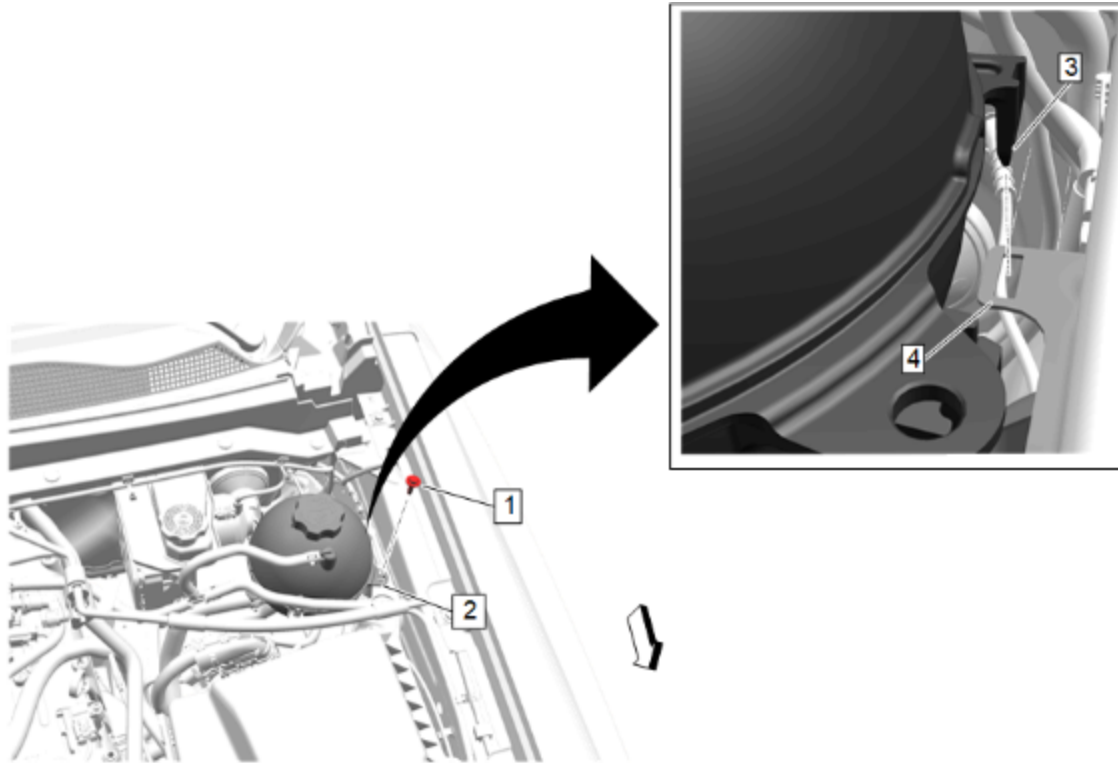


8. From inside the vehicle on the driver's side below the instrument panel, locate the wire harness grommet (1).

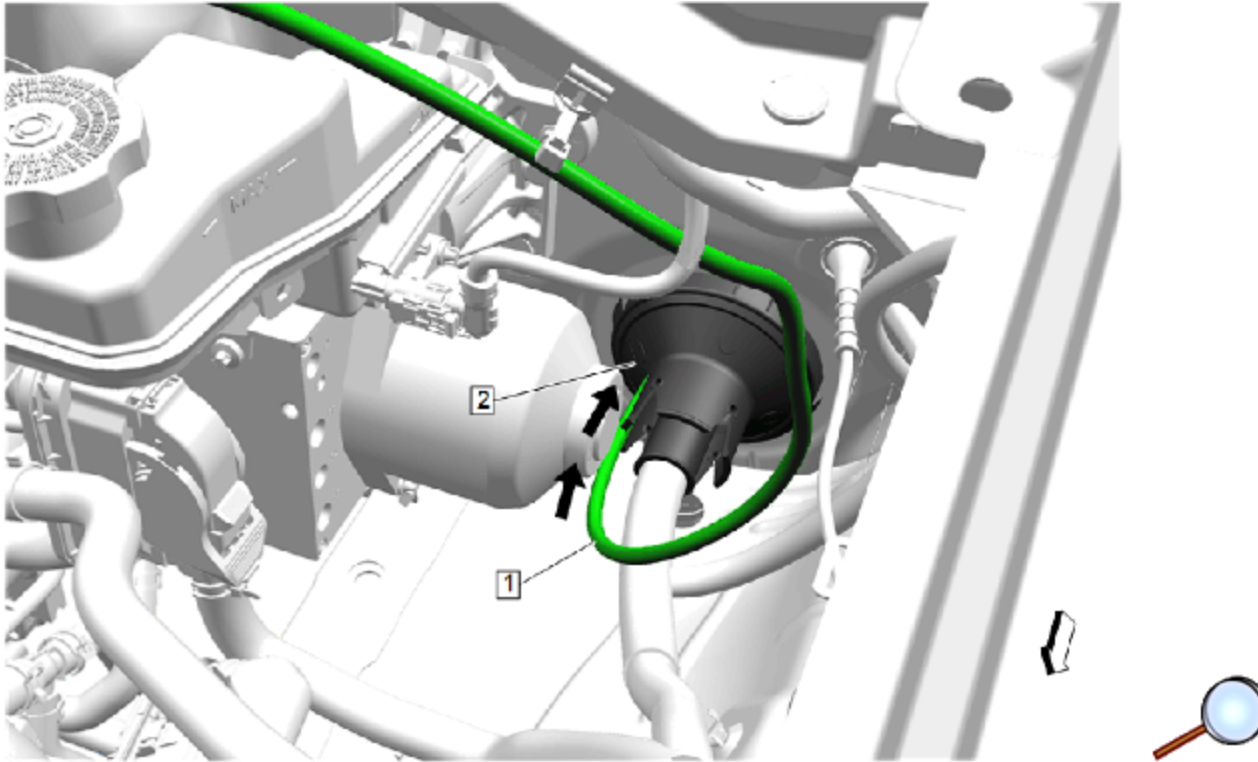
Caution: Always check position of hole before cutting/drilling. Failing to do so may cause damage to the vehicle, misalignment of components or the inability to install the accessory.

9. Poke a hole (2) using a straight pick through the inside and outside grommet (1) making sure to keep it centered between the grommet's outer edge and the wire bundle to avoid damage to the grommet. (A drill with 3/8" bit can be used as an alternative method).

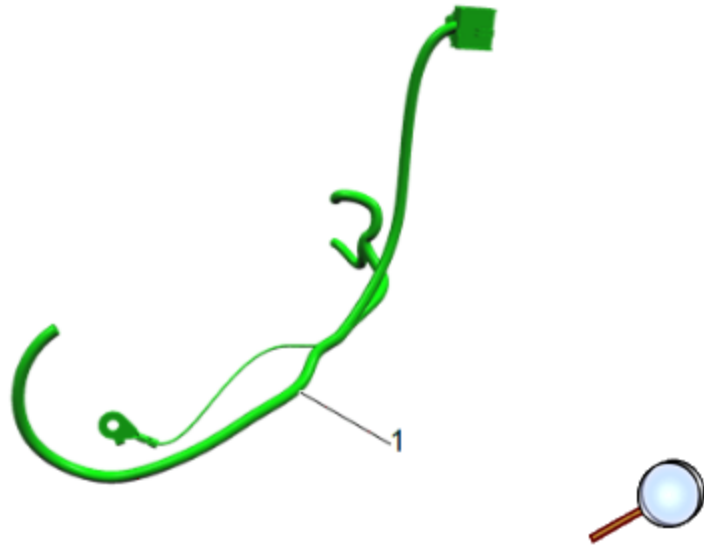
10. Using the pick as a fish tool (or replace with a longer fish tool if preferred), leave it in the grommet hole (2) and locate it underhood.



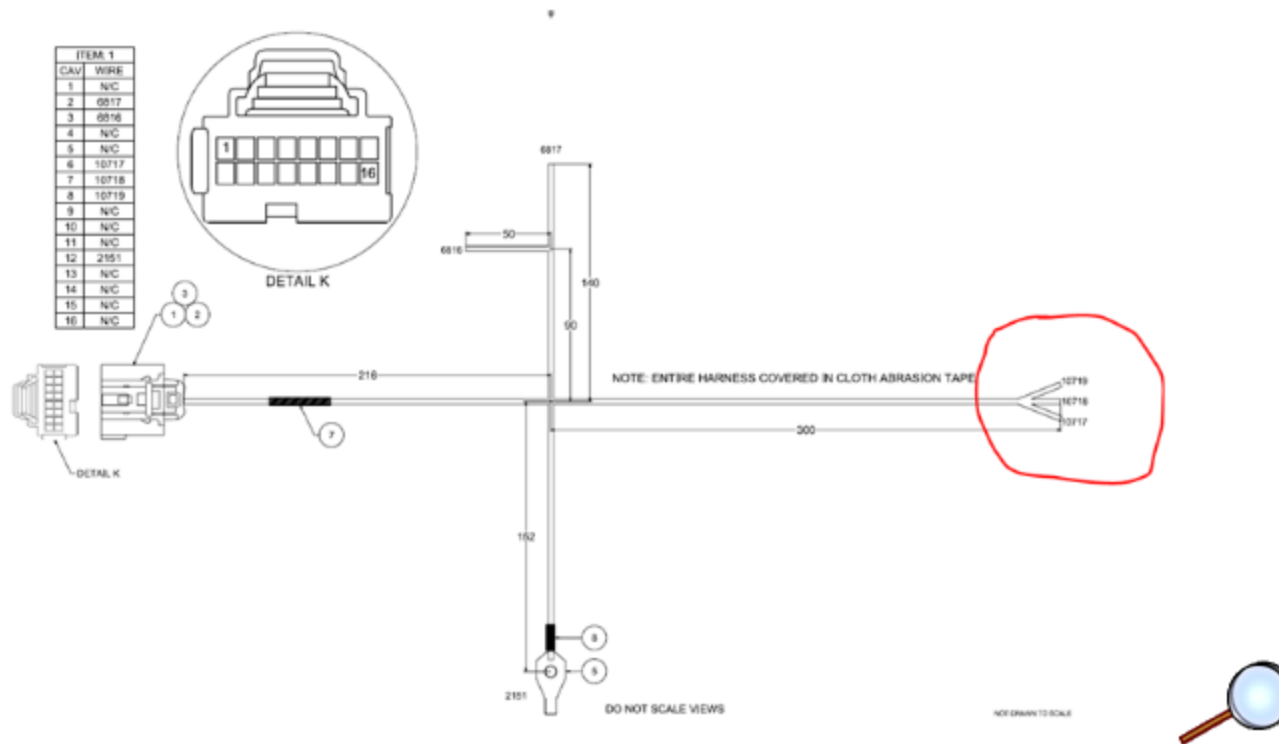
11. Remove the single bolt (1) of the reservoir (2) and pull the reservoir (3) off the mount (4) and reposition to gain access to fish line more easily.



12. Route the relay box wiring (1) rearward and under the brake reservoir connector/line making sure it's not tangled and pull or push through grommet (2) into the interior compartment. Un-tape from the fish tool and set aside.



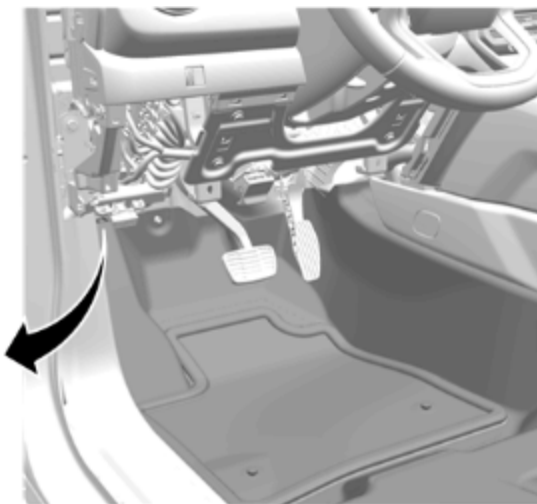
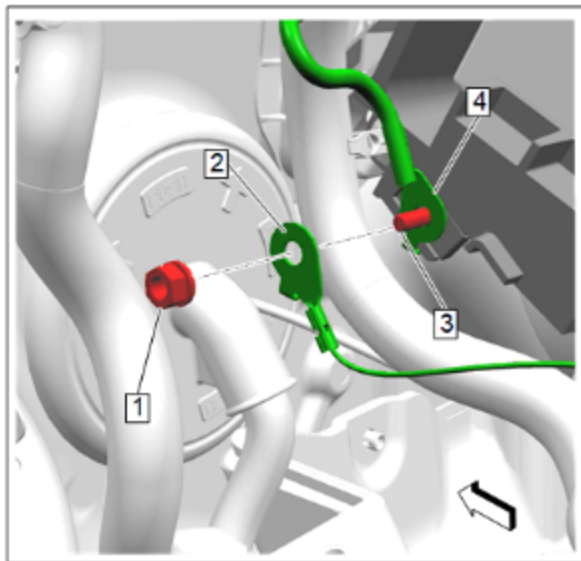
13. Locate the switch wire harness (1) from the bag within the kit.
14. From the interior driver foot area, mate the two wire harnesses together by matching 3 wires of the same color. There are 3 color wires (Blue, Green, Brown) from the fished wires of the relay box to match to the switch wires (see wire diagrams below) as they are identified as 10717, 10718 and 10719 on the prints below. Blue is AUX1, Green is AUX2 and Brown is AUX3 that go to the relay coil's negative side.



© 2024 General Motors. All rights reserved.

14.2. Switch Wiring

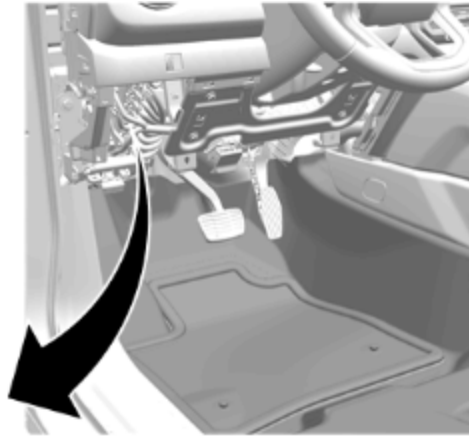
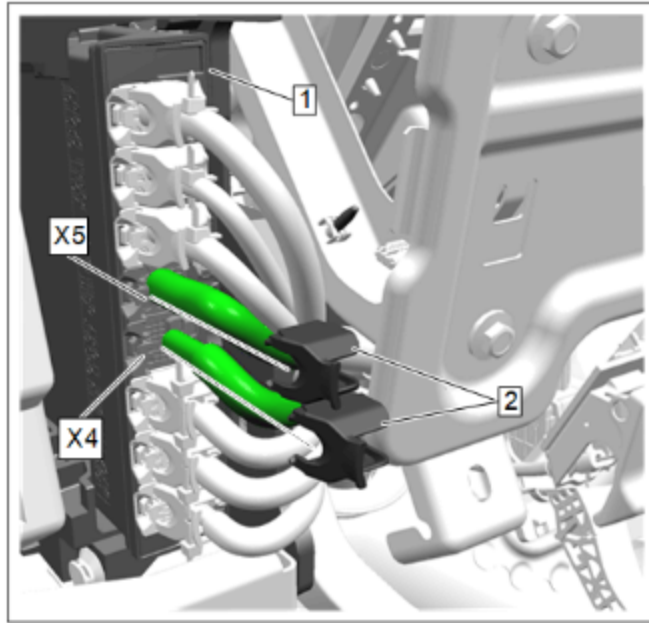
- Splice the three wires to their same color wires using the splices provided in the kit. Refer to [Wire to Wire Repair](#) in Vehicle Service Manual.



Caution: Use the correct fastener in the correct location. Replacement fasteners must be the correct part number for that application. Fasteners requiring replacement or fasteners requiring the use of thread locking compound or sealant are identified in the service procedure. Do not use paints, lubricants, or corrosion inhibitors on fasteners or fastener joint surfaces unless specified. These coatings affect fastener torque and joint clamping force and may damage the fastener. Use the correct tightening sequence and specifications when installing fasteners in order to avoid damage to parts and systems.

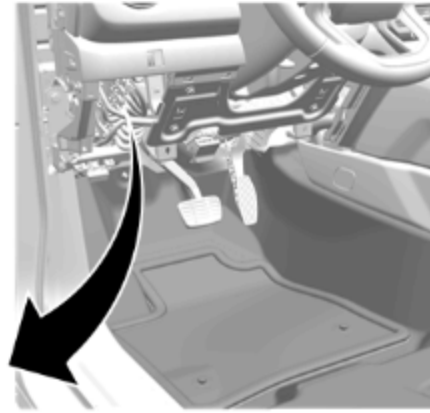
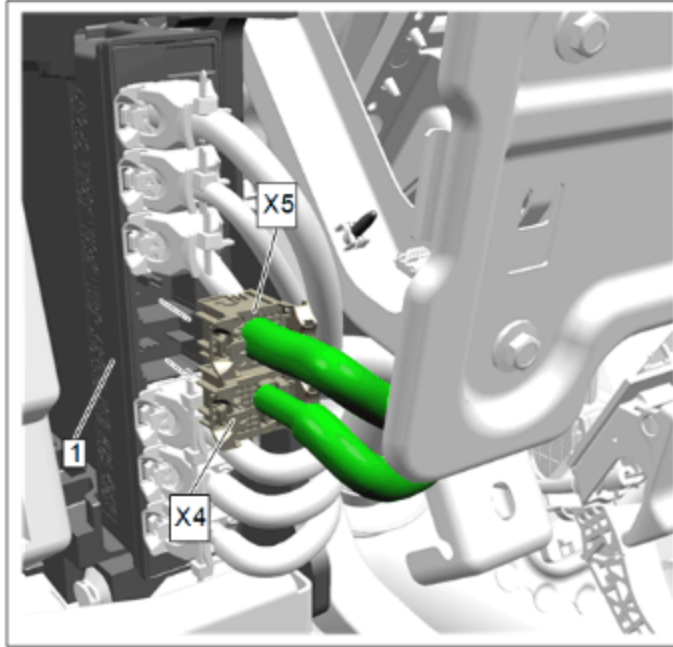
Note: The ground wire (2) can also be mounted under the ALDL connector under the outboard bolt by removing it and loosening the inboard bolt. Make sure it is on the surface of the metal beam.

16. Install the switch harness's ground wire (2) by removing the fastener (1) on the lower body control module bracket stud (3) and then add the ground wire to stud on top of existing ground wires (4) making sure to re-attach the nut (1) and tighten to 22 N.m (16 lb ft).

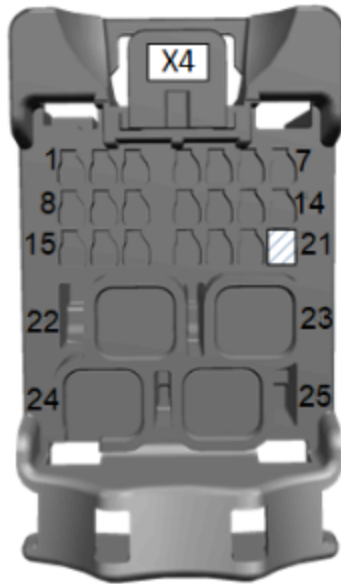


17. Locate the body control module (1) on the driver side footwell area and remove the connector covers (2) from connectors X4 and X5.

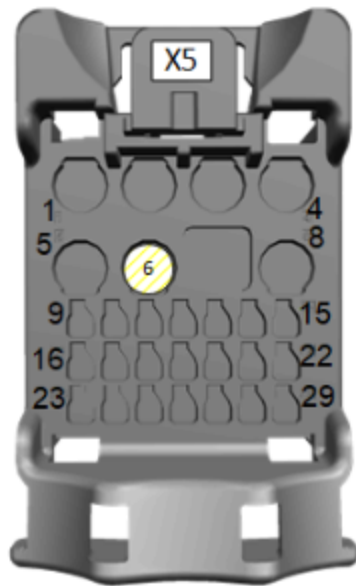
Note: X4 is a White connector and X5 is a Teal connector.



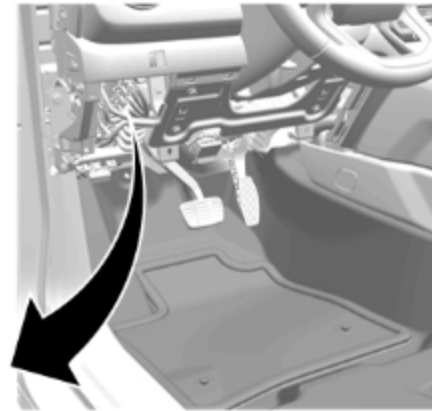
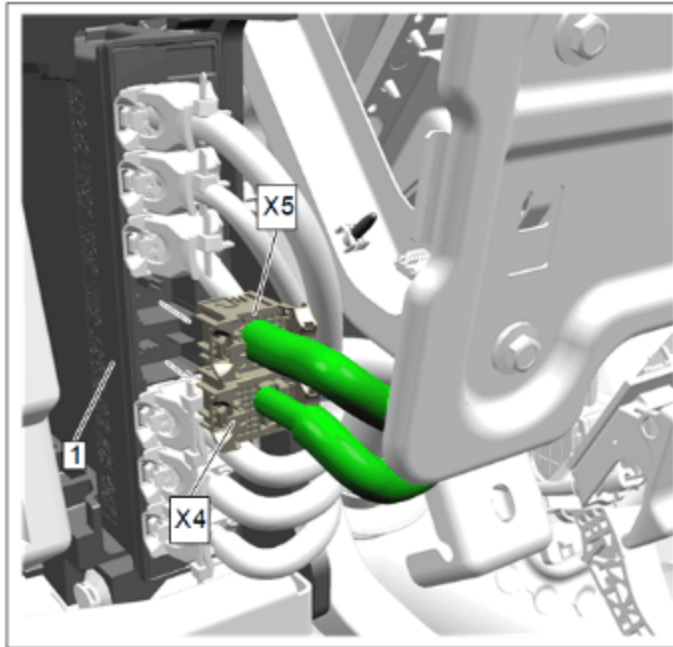
18. Remove connectors X4 and X5 from the body control module (1).



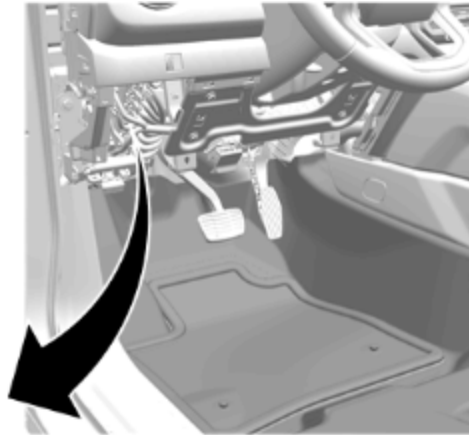
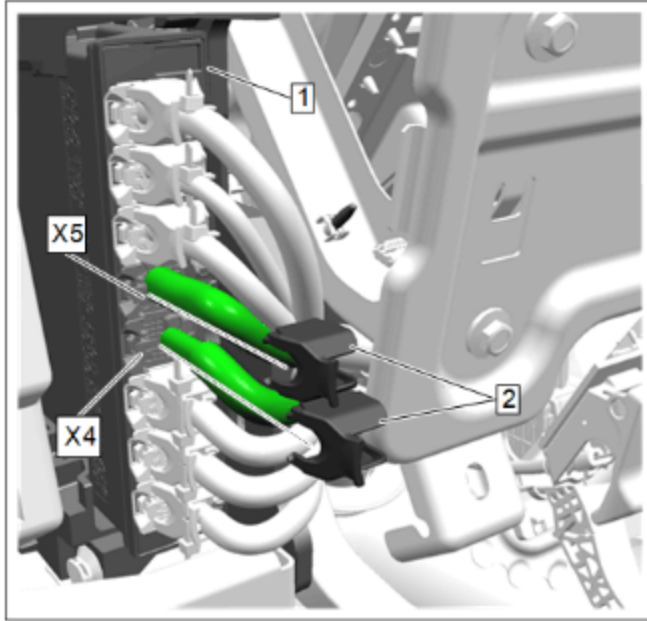
19. Locate the White wire coming from cavity #21 of the BCM connector X4 removing any tape necessary. Locate the White wire on the switch harness and splice it to the BCM wire so there is enough wire length on both sides of the splice. Refer to [Wire to Wire Repair](#) in Vehicle Service Manual.



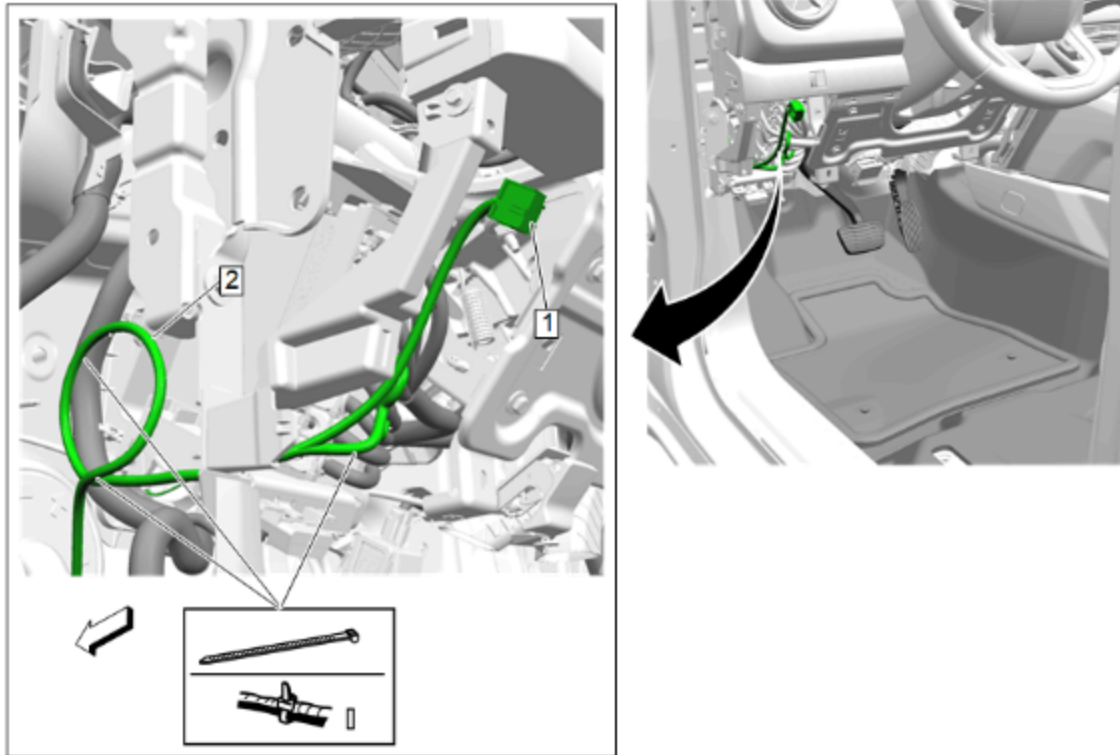
20. Locate the Yellow wire coming from cavity #6 of the BCM connector X5 by removing any tape necessary. Locate the Yellow wire on the switch harness and splice it to the BCM wire so there is enough wire length on both sides of the splice. Refer to [Wire to Wire Repair](#) in Vehicle Service Manual.



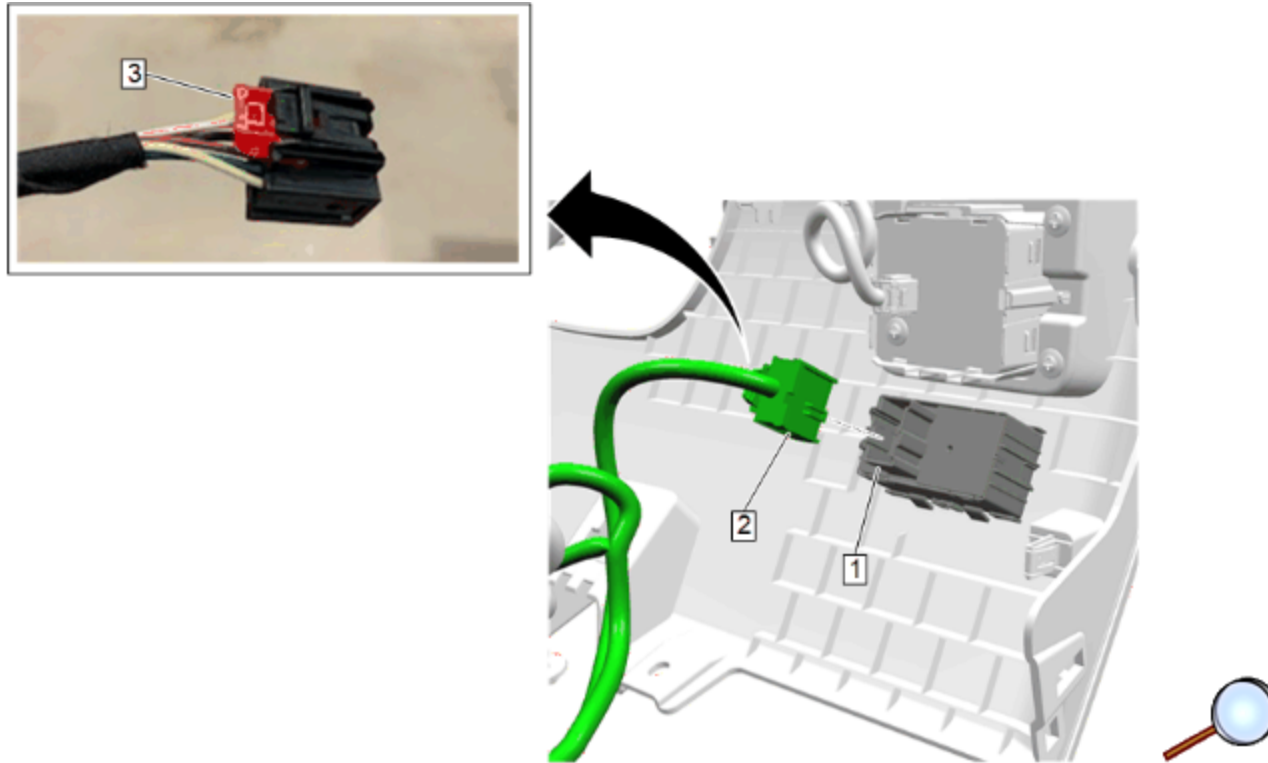
21. Tape the splices neatly to the main harness wiring so they won't be damaged and re-connect connectors X4 and X5 to the body control module (1).



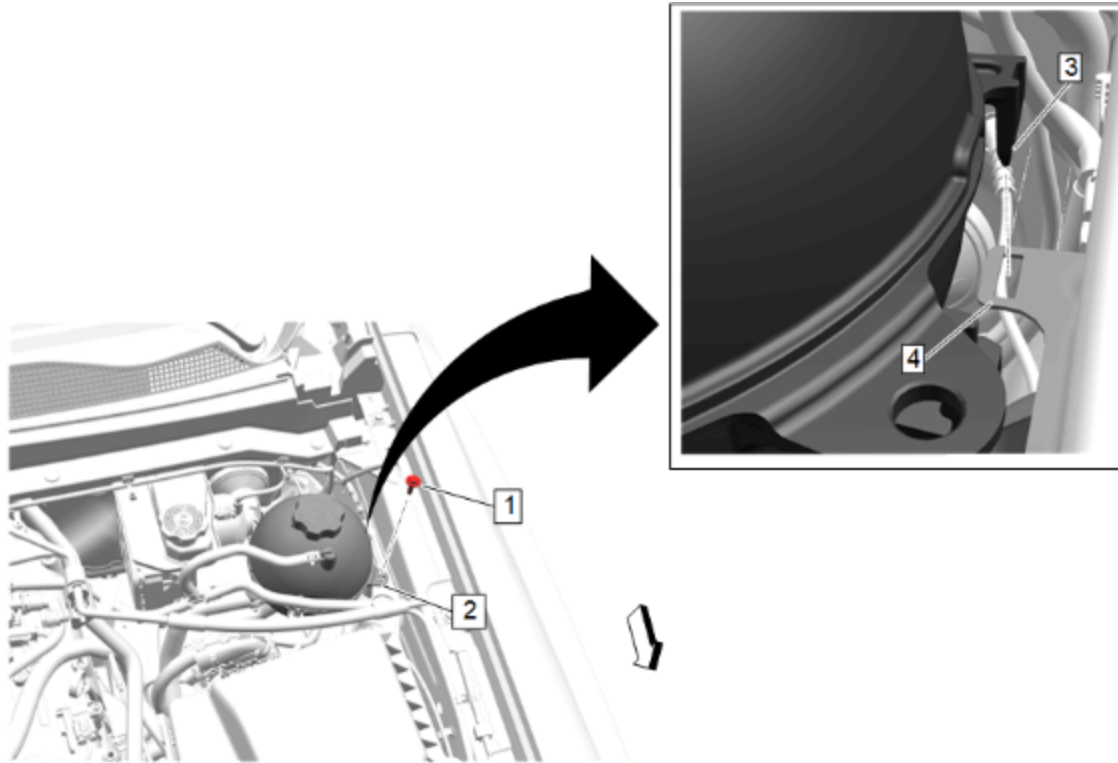
22. Re-install the connector covers (2) to connectors X4 and X5 on the body control module (1).



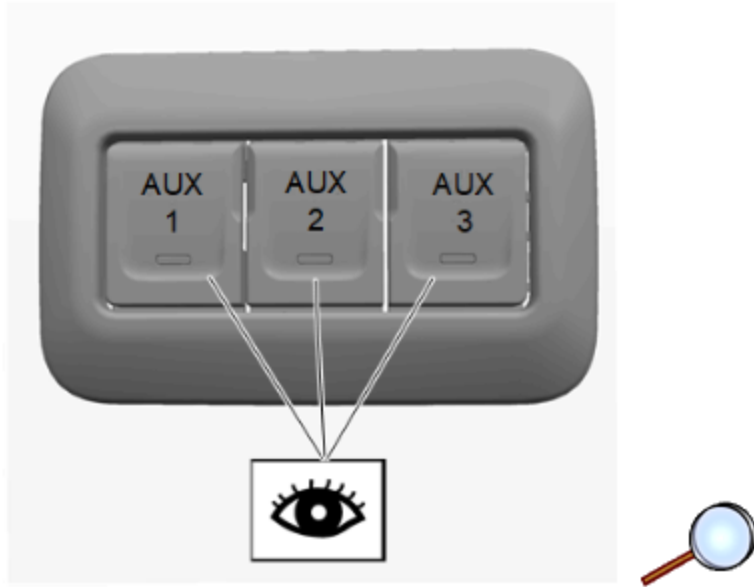
23. Untangle the remaining wiring so that the 16-way connector (1) will be near the position of the switch and route the wire as shown using a service loop (2). Secure the wire in the locations shown with three of the provided tie straps (cut excess tie strap material after securing).



24. Re-install the instrument panel knee bolster. Refer to [Instrument Panel Knee Bolster Replacement](#) in Vehicle Service Manual.
25. Connect the trailer brake switch if equipped, making sure the CPA is locked. Connect the 16-way connector (2) of the new switch wiring to the back of the switch (1) holding the front securely so the switch doesn't pop out. Engage the red CPA (3) to lock connector.
26. Use tape (not provided) to make sure there is no wire that is in danger of being pulled or accidentally stepped on. It's very important to make sure nothing dangles or impedes into the driver's foot zone.
27. Seal both sides of the grommet where the wires passed through with a water proof sealant (not provided).



28. Reposition the reservoir (3) to the mount (4) and re-install the bolt (1) to reservoir (2) and tighten bolt to 9 N.m (80 lb in).



Note: You may need to cover the switch area to make dark enough to see.

29. Place the vehicle ignition in run or accessory position and check the backlighting where the words "AUX1", "AUX2" and "AUX3" are should light whenever the vehicle is on. In addition, check each switch one at a time to make sure the amber indicators are working. The switches will light when pressed in and should go off when in the out position.
30. Re-connect the negative battery cable. Refer to [Battery Negative Cable Disconnection and Connection](#) in Vehicle Service Manual.
31. Clear any fault codes. Refer [Diagnostic Repair Verification](#) in Vehicle Service Manual.
32. Close the hood.