

Document ID: 6142560

Front Fender Mud Guard Package Installation (Instruction ID: 84944110)

[Installation Instructions Part Number](#)

84944110

Please read instructions thoroughly before starting.

Kit Contents

Qty	Description
1	Left Hand Splash Guard
1	Right Hand Splash Guard
1	Left Hand Bracket
1	Right Hand Bracket
10	Screw
4	Washer
6	U Nut
8	Rivet
1	Instruction Sheet

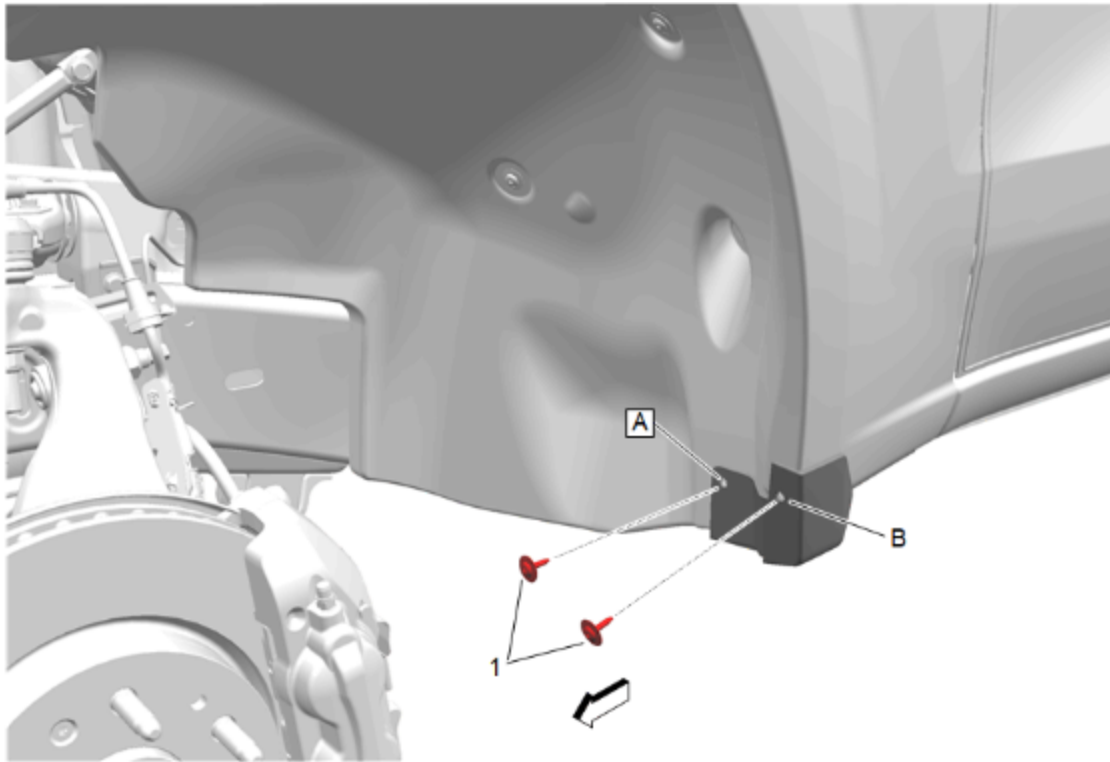
[Special Tools](#)

- T15 Torx Screwdriver
- 5mm (13/64") Drill Bit/Drill
- Awl

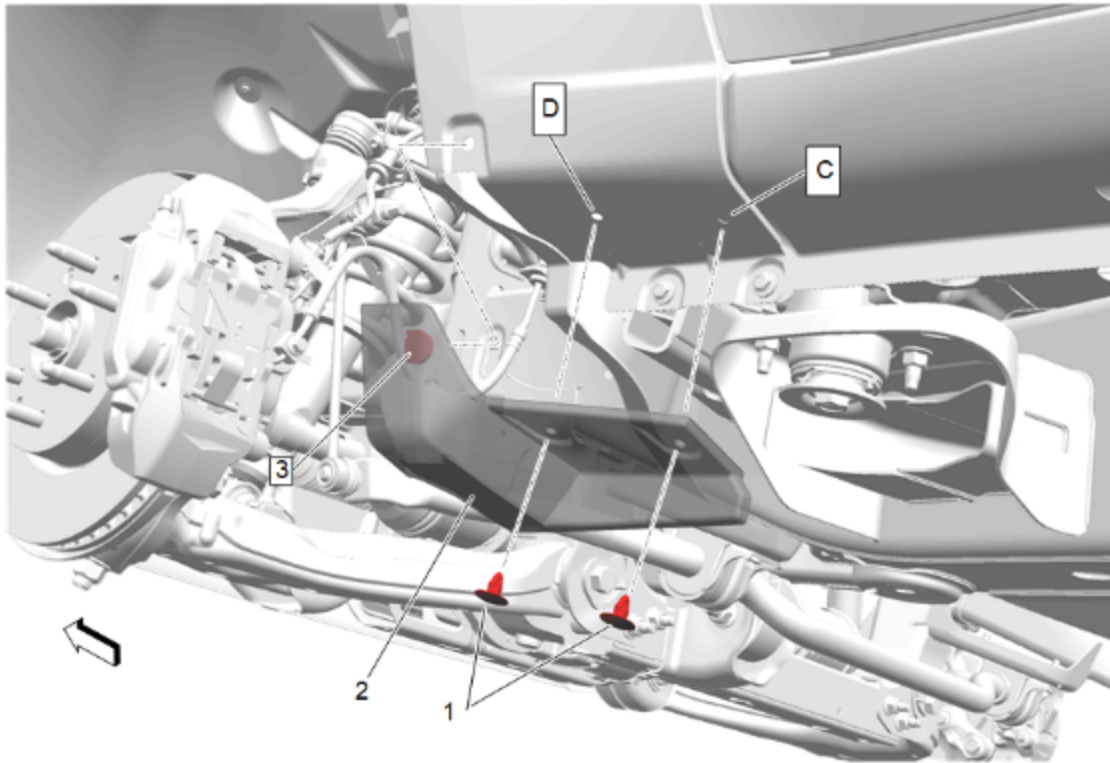
- Plastic Retainer Removal Tool
- Clean Cloth/Rag
- Rivet Gun

Procedure

1. Remove the front wheel and tire assembly. Refer to [Tire and Wheel Removal and Installation](#) in Vehicle Service Manual.
2. Clean and degrease body panel where splash guards are to be located.

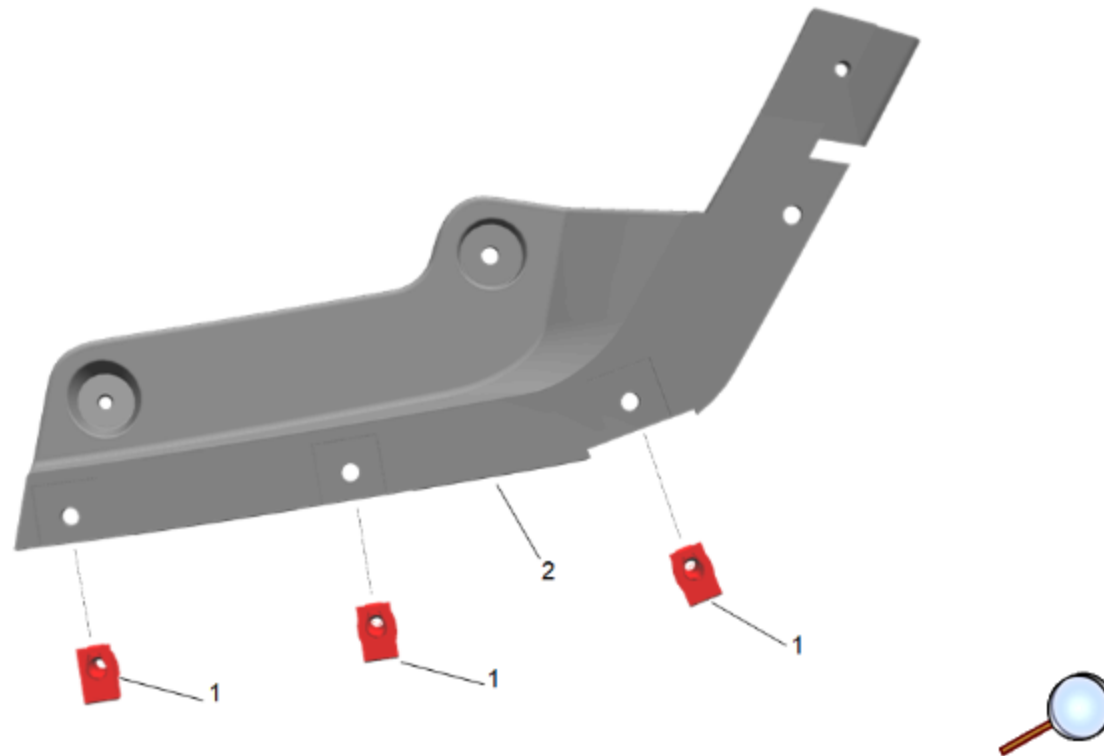


3. Remove and discard existing screws (1) at locations **(A)** and **(B)**.



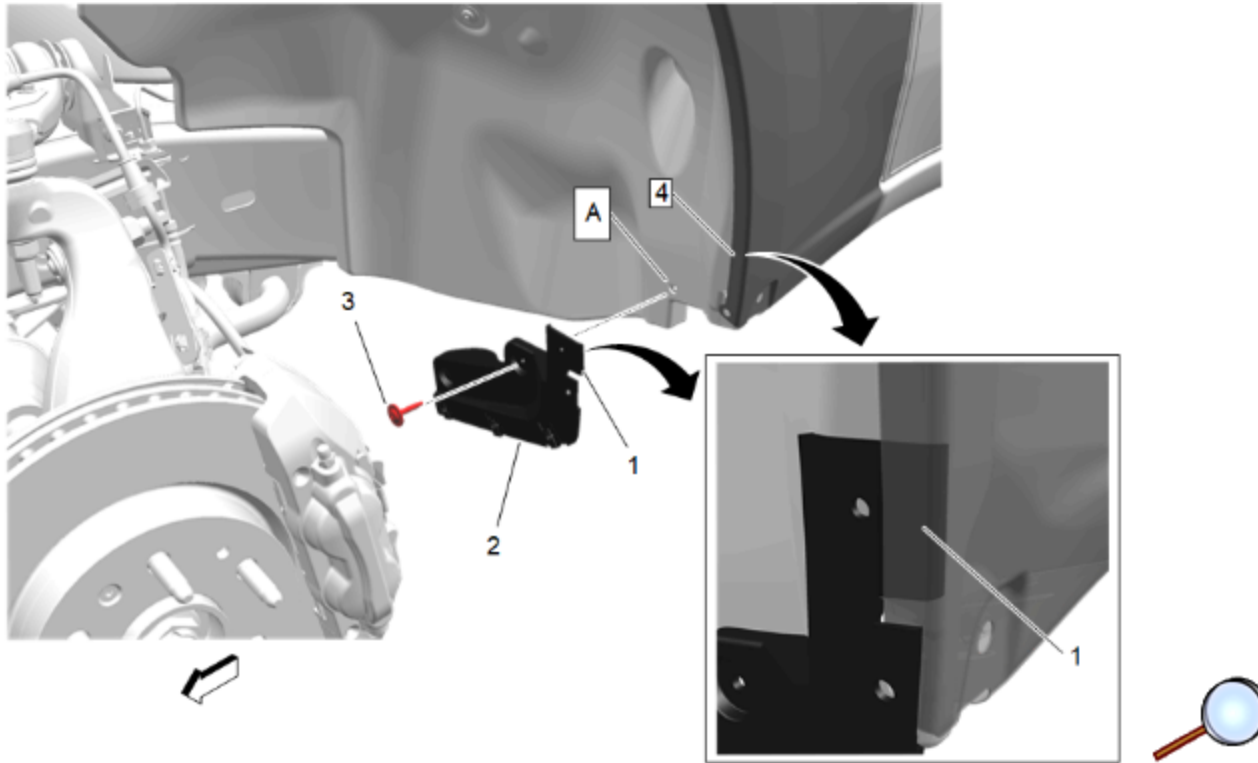
© 2024 General Motors. All rights reserved.

4. Using a plastic retainer removal tool, remove the existing push pins (1) at locations **(C)** and **(D)**. Disengage retainer (3), then remove and discard stone protector (2).



Caution: Use the correct fastener in the correct location. Replacement fasteners must be the correct part number for that application. Fasteners requiring replacement or fasteners requiring the use of thread locking compound or sealant are identified in the service procedure. Do not use paints, lubricants, or corrosion inhibitors on fasteners or fastener joint surfaces unless specified. These coatings affect fastener torque and joint clamping force and may damage the fastener. Use the correct tightening sequence and specifications when installing fasteners in order to avoid damage to parts and systems.

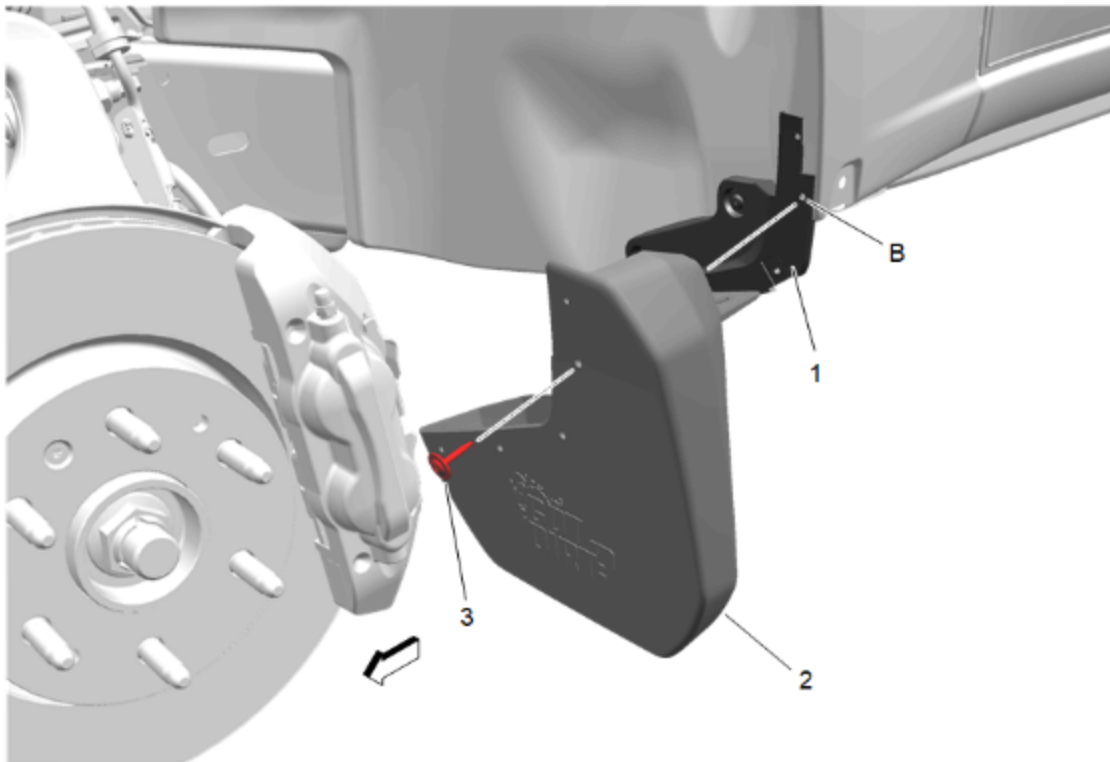
5. Install supplied U-nuts (1) onto the bracket (2).



6. Ensuring the tab (1) is clipped into the fender flange (4), place the bracket (2) to vehicle and install supplied screw (3) and washer at location **(A)**.

Tighten

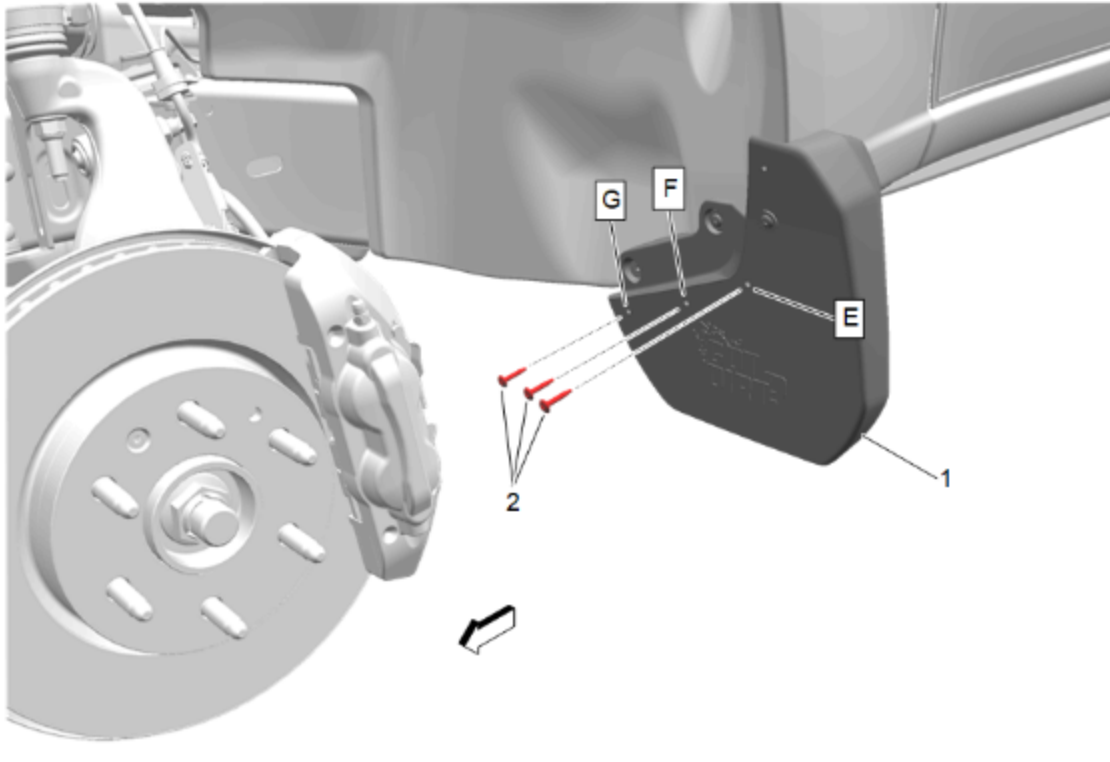
Tighten screw to 3.0 N.m (2.0 lb ft)



7. Place the splash guard (2) to the vehicle and bracket (1), take care to remove any gaps and install a supplied screw (3) and washer at location **(B)**.

Tighten

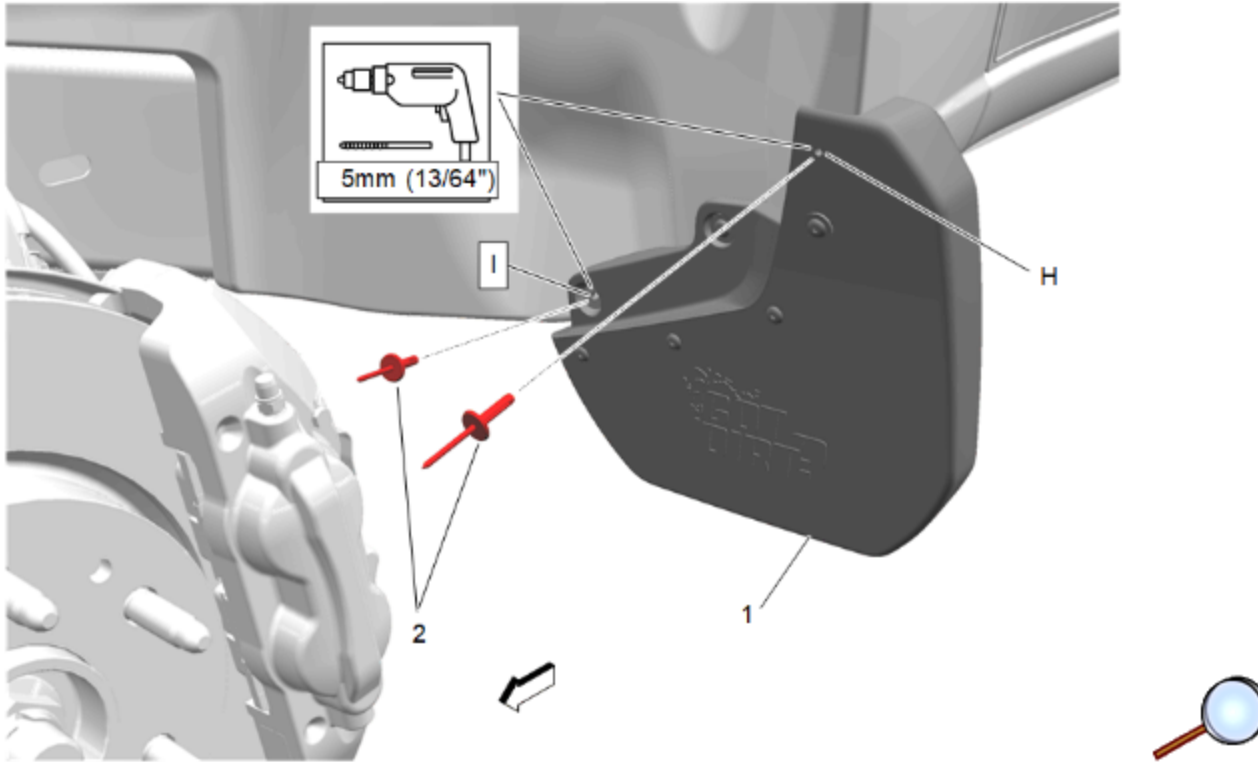
Tighten screw to 3.0 N.m (2.0 lb ft)



8. Install supplied screws (2) (without washers) to splash guard (1) at locations **(E)**, **(F)** and **(G)**.

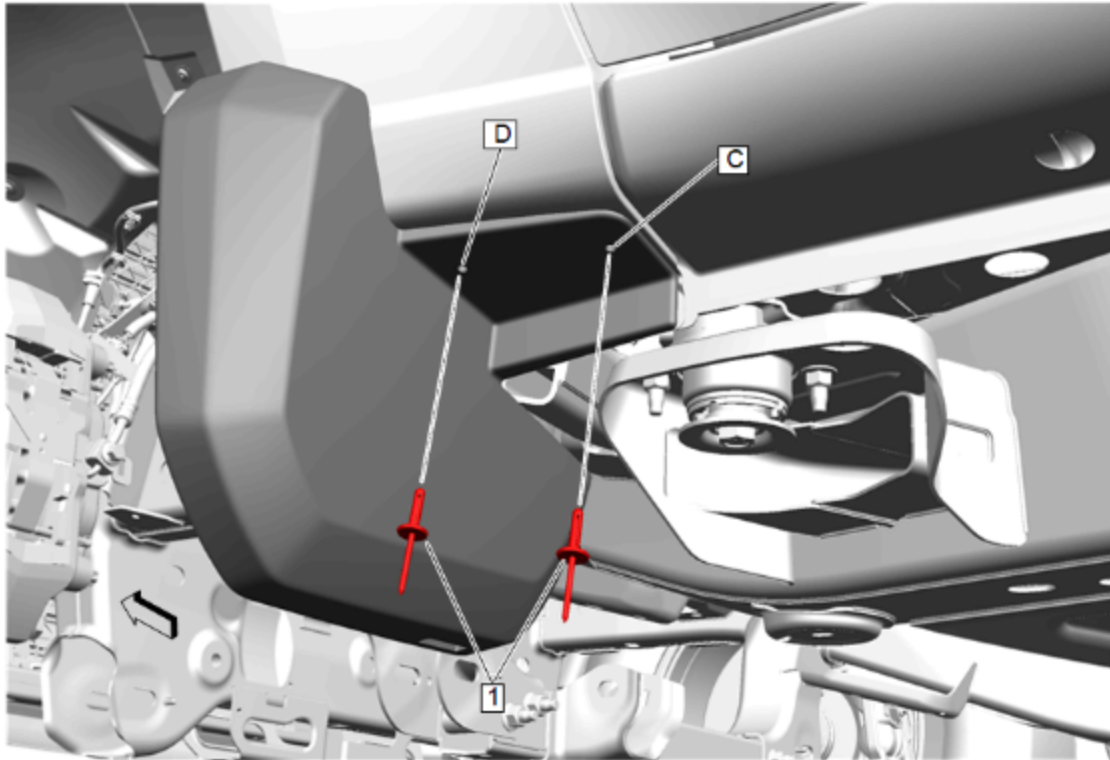
Tighten

Tighten screws to 3.0 N.m (2.0 lb ft)



Caution: Always check size and position of all holes before drilling. Failing to do so may cause damage to the vehicle, misalignment of components or the inability to install the accessory.

9. Using the holes at locations **(H)** and **(I)** as pilots, drill a 5.0 mm (13/64") hole through the splash guard and bracket at location **(H)** and splash guard and wheel liner at location **(I)** and install supplied rivets (2) at these locations on splash guard (1).



10. Install supplied rivets (1) to splash guard at locations **(C)** and **(D)**.
11. Install the front wheel and tire assembly. Refer to [Tire and Wheel Removal and Installation](#) in Vehicle Service Manual.
12. Repeat procedure for other side.
13. Guards can be cleaned with any commercially available cleaner.