

Rear Mud Guard Package Installation (Instruction ID: 84944138)

Installation Instructions Part Number

84944138

Please read instructions thoroughly before starting.

Kit Contents

Qty	Description
1	Left Hand Splash Guard
1	Right Hand Splash Guard
8	Screw
8	Washer
4	U-Nut
2	Rivet
1	Instruction Sheet

© 2024 General Motors. All rights reserved.

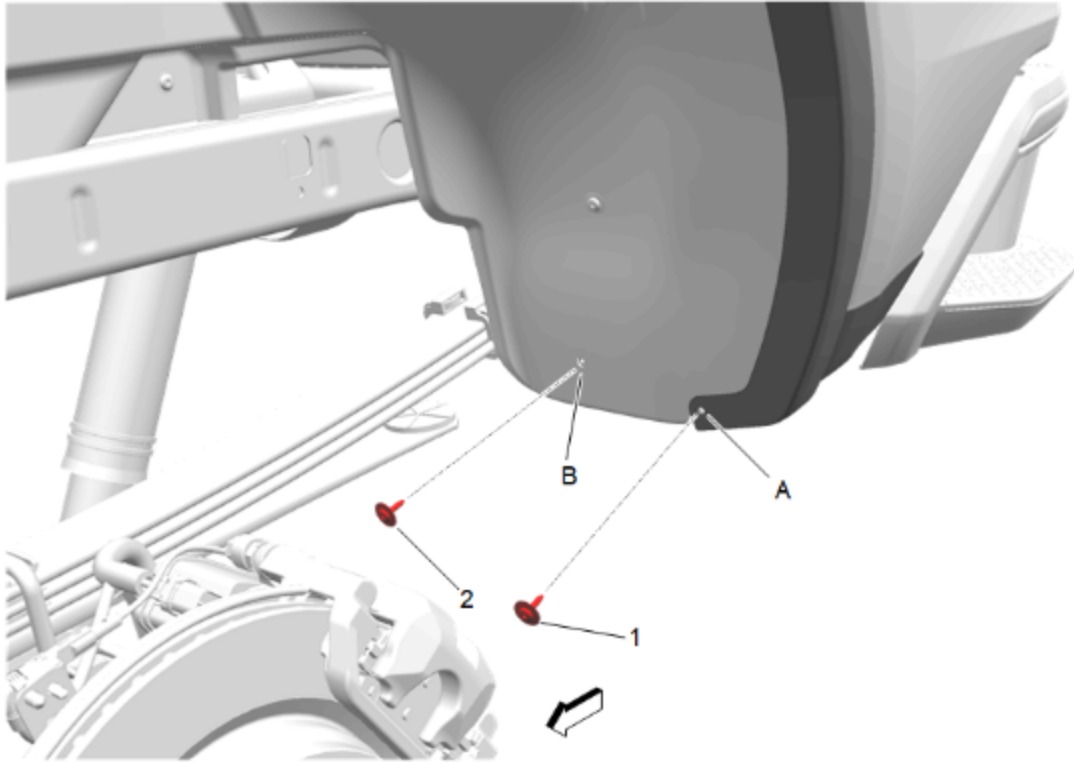
Special Tools

- T15 Torx Screwdriver
- 5mm (13/64") Drill Bit/Drill
- Rivet Gun
- Awl
- Clean Cloth/Rag

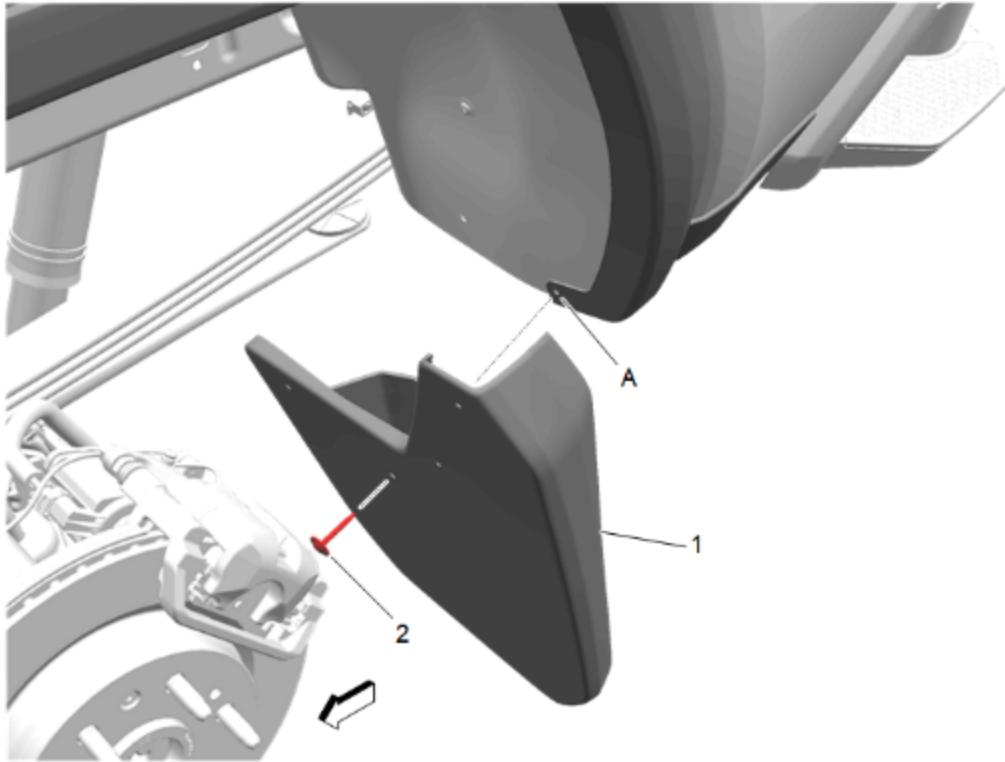
Procedure

1. Remove the rear wheel and tire assembly. Refer to [Tire and Wheel Removal and Installation](#) in Vehicle Service Manual.

2. Clean and degrease body panel where splash guards are to be located.



3. Remove existing screws (1), (2) at locations **(A)** and **(B)**. Discard screws.

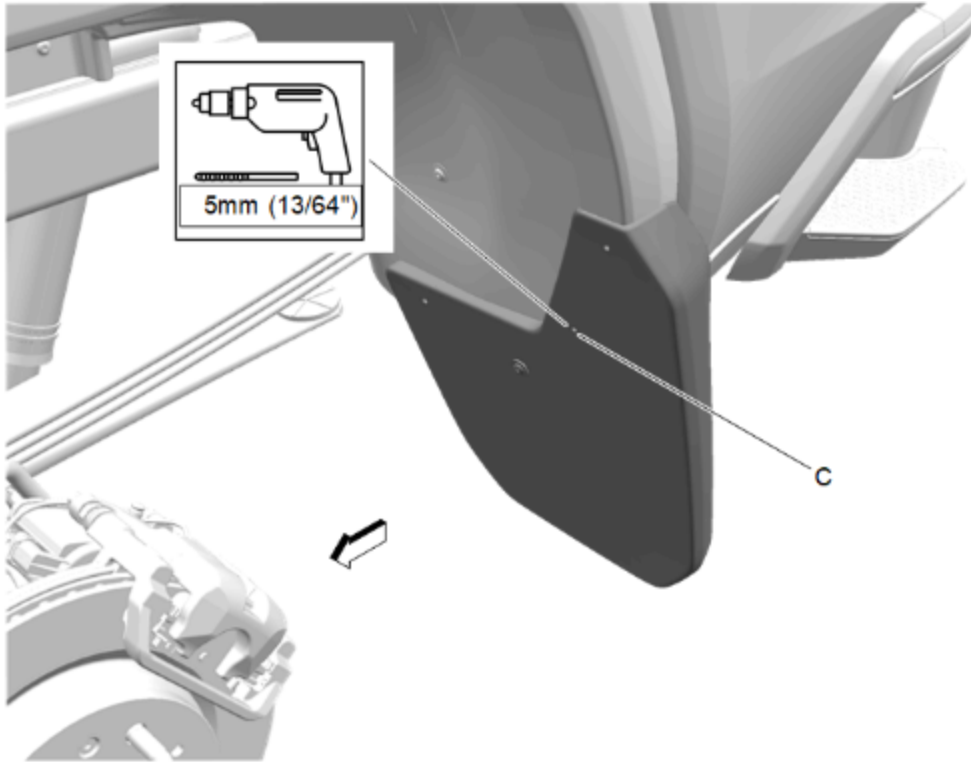


Caution: Use the correct fastener in the correct location. Replacement fasteners must be the correct part number for that application. Fasteners requiring replacement or fasteners requiring the use of thread locking compound or sealant are identified in the service procedure. Do not use paints, lubricants, or corrosion inhibitors on fasteners or fastener joint surfaces unless specified. These coatings affect fastener torque and joint clamping force and may damage the fastener. Use the correct tightening sequence and specifications when installing fasteners in order to avoid damage to parts and systems.

4. Place splash guard (1) to vehicle by aligning splash guard locating nubs with inboard edge of wheel opening molding and install supplied screw (2) and washer at location **(A)**.

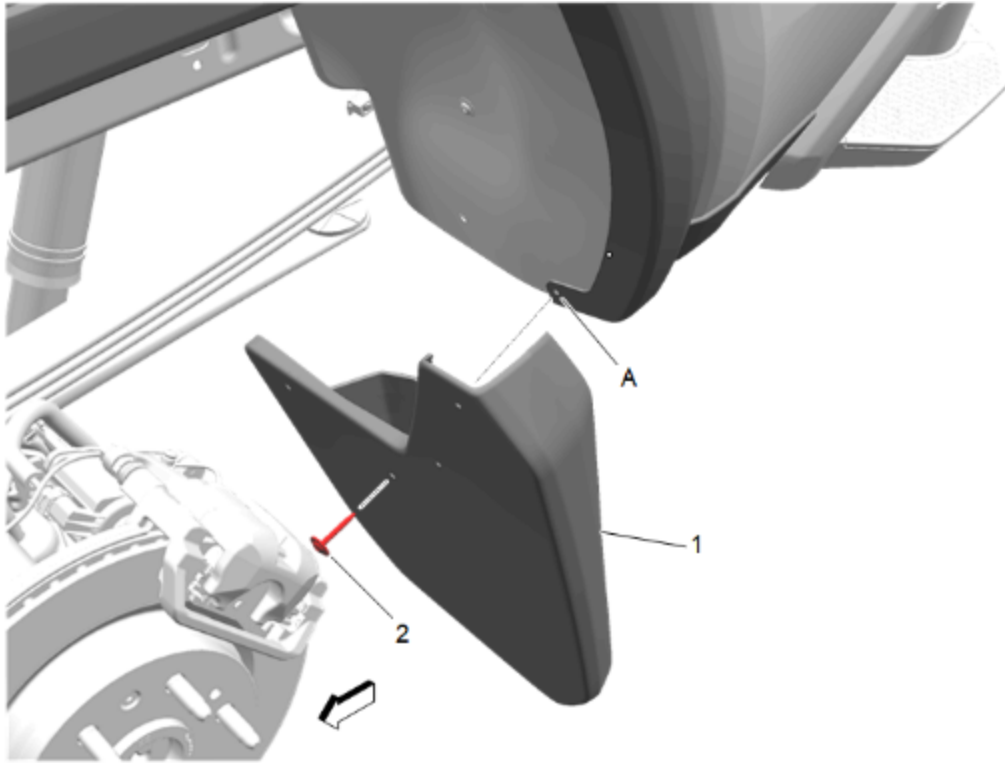
Tighten

Tighten screw to 3.0 N.m (2.0 lb ft)

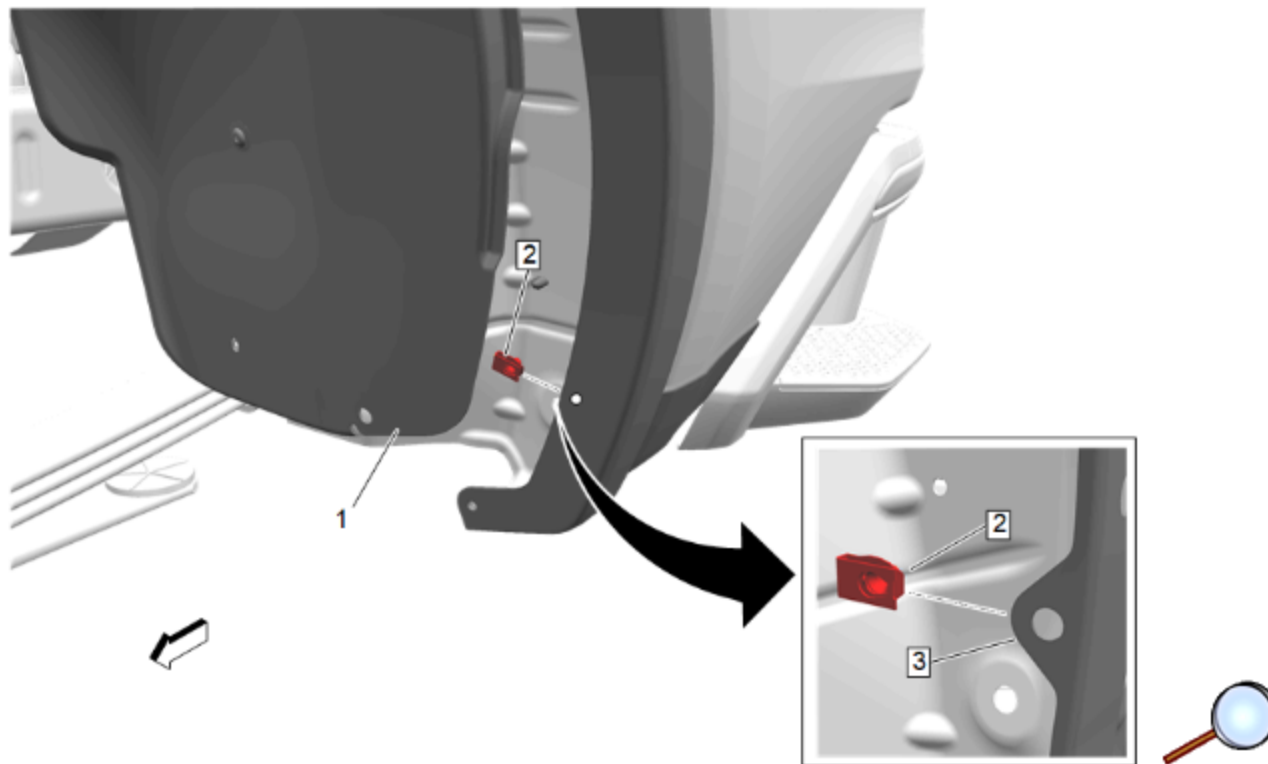


Caution: Always check size and position of all holes before drilling. Failing to do so may cause damage to the vehicle, misalignment of components or the inability to install the accessory.

5. While using the splash guard hole as a template, carefully drill a 5mm (13/64") hole at location **(C)**. The hole should be drilled through the splash guard and wheel opening molding.

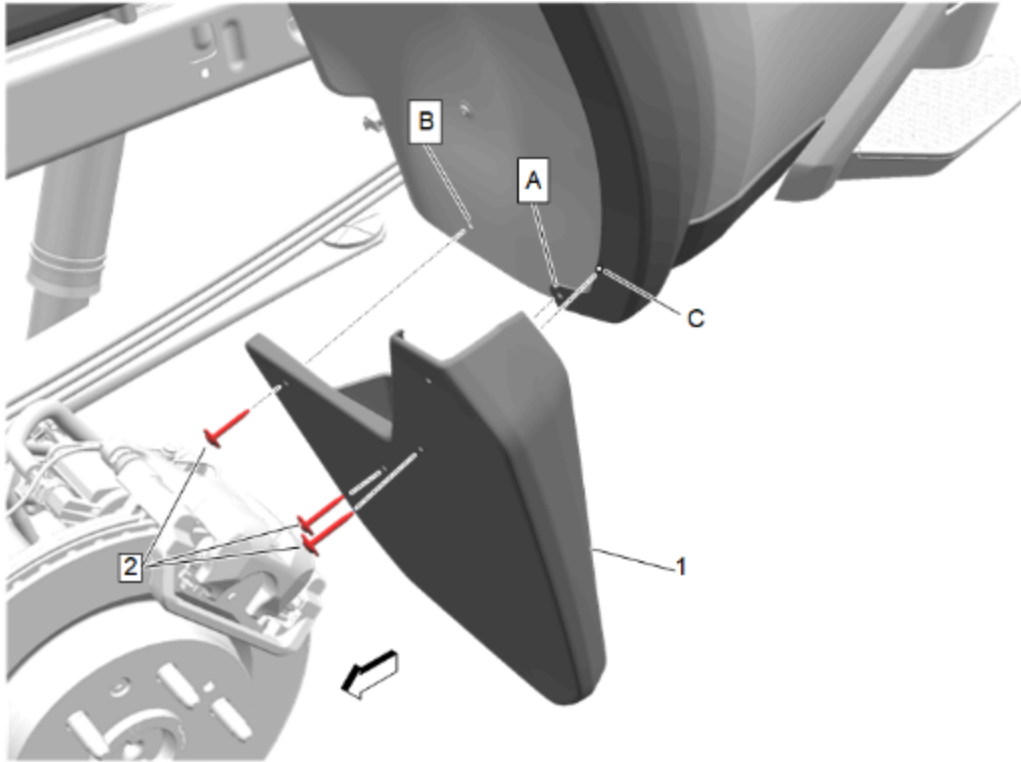


6. Remove screw (2) with washer from location **(A)** and splash guard (1) from vehicle.

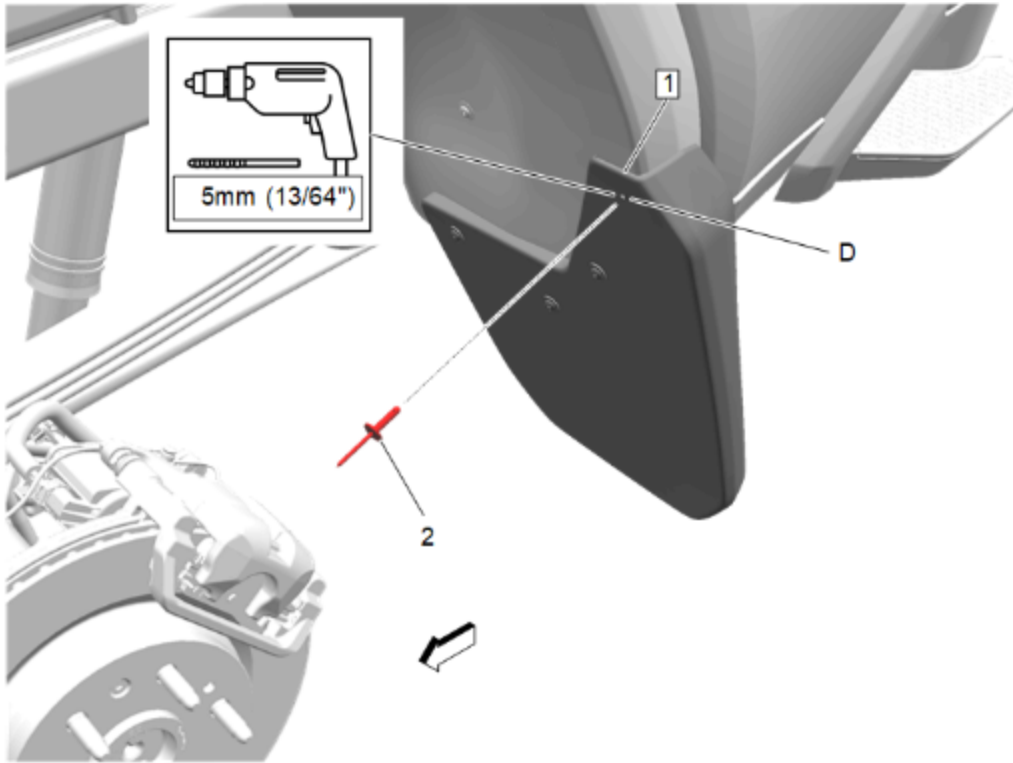


© 2024 General Motors. All rights reserved.

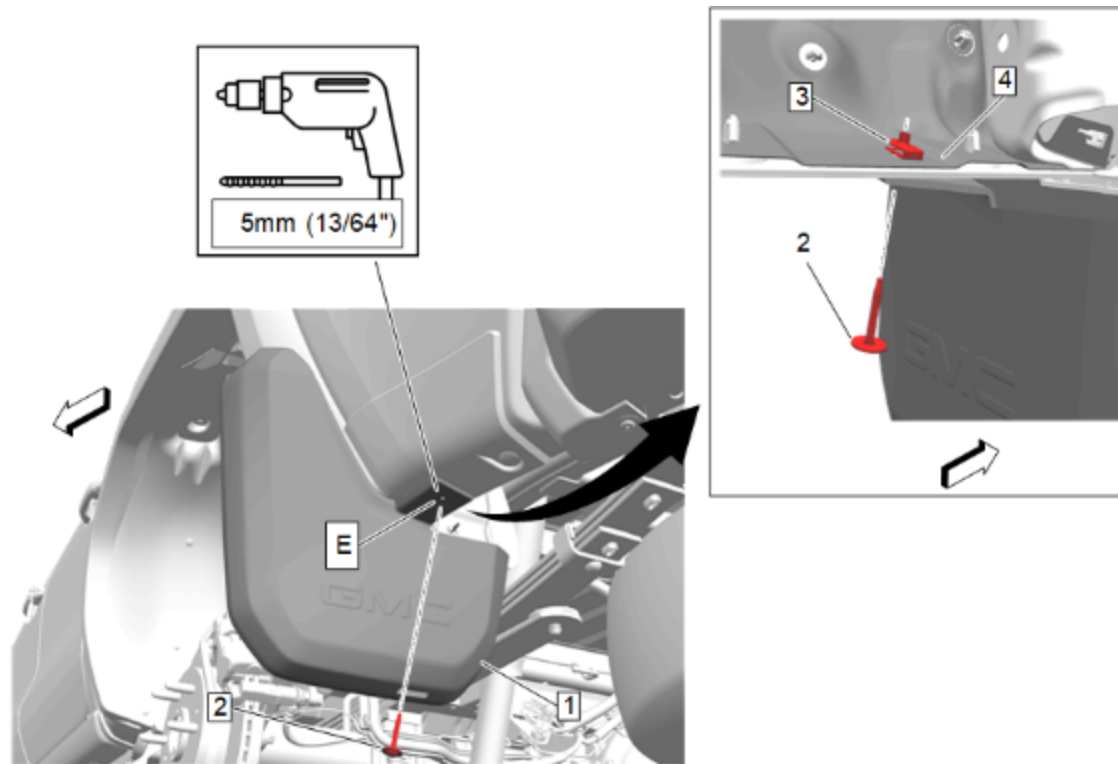
7. Reposition the wheel liner (1) to expose hidden sheet metal tab (3) and install supplied U-nut (2) onto the sheet metal tab (3).
8. Return wheel liner (1) to its original position, verify that the hole drilled in the wheel liner in step 5 matches the original position.



9. Place splash guard (1) to vehicle using alignment nubs and install supplied screws (2) with washers at locations **(A)**, **(B)** and **(C)**.
Tighten
Tighten screws to 3.0 N.m (2.0 lb ft)



10. While holding the splash guard (1) tight to the vehicle to remove any gaps, drill a 5mm (13/64") hole at location **(D)**. The hole should be drilled through the splash guard and wheel opening molding.
11. Install supplied rivet (2) at location **(D)**.



12. While holding the splash guard (1) tight to the vehicle to remove any gaps, use the hole at location **(E)** as a pilot, and drill a 5mm (13/64") hole through the splash guard and vehicle panel and install supplied screw (2) with washer and U-nut at this location. The U-nut (3) should be used as a nut above the sheet metal (4).

Tighten

Tighten screw to 3.0 N.m (2.0 lb ft)

13. Install the rear wheel and tire assembly. Refer to [Tire and Wheel Removal and Installation](#) in Vehicle Service Manual.
14. Repeat procedure for other side.
15. Guards can be cleaned with any commercially available cleaner.