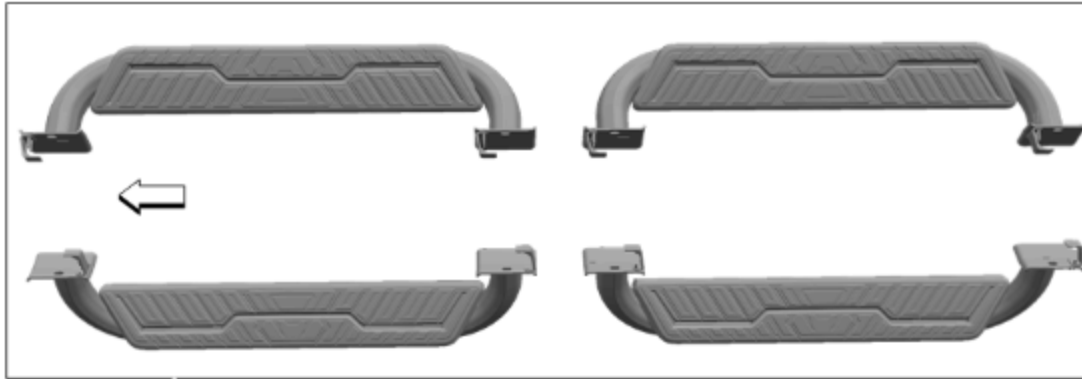


# Assist Step Kit Installation (Removable Step Instruction ID: 86793655)

## [Installation Instructions Part Number](#)

86793655

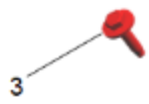
© 2024 General Motors. All rights reserved.



1



2



3



### Kit Contents

Item	Description	Qty:
1	Assist Step Package (not specific to front/rear/left/right)	4
2	M8 J Clips	8

Item	Description	Qty:
3	M8 Bolt	8
—	Instruction Sheet	1

### **Torque Table**

8mm Hardware torque to **25 N.m (18 lb ft)**.

### **Tools Required**

- Torque Wrench
- 13mm Socket
- 3/8" drive Ratchet

**Note:** Read entire instruction sheet thoroughly before starting.

**Note:** Removable Assist Steps are common at all mounting locations.

**Note:** Plastic hook features are an install aid and NOT intended to support entire weight of step.

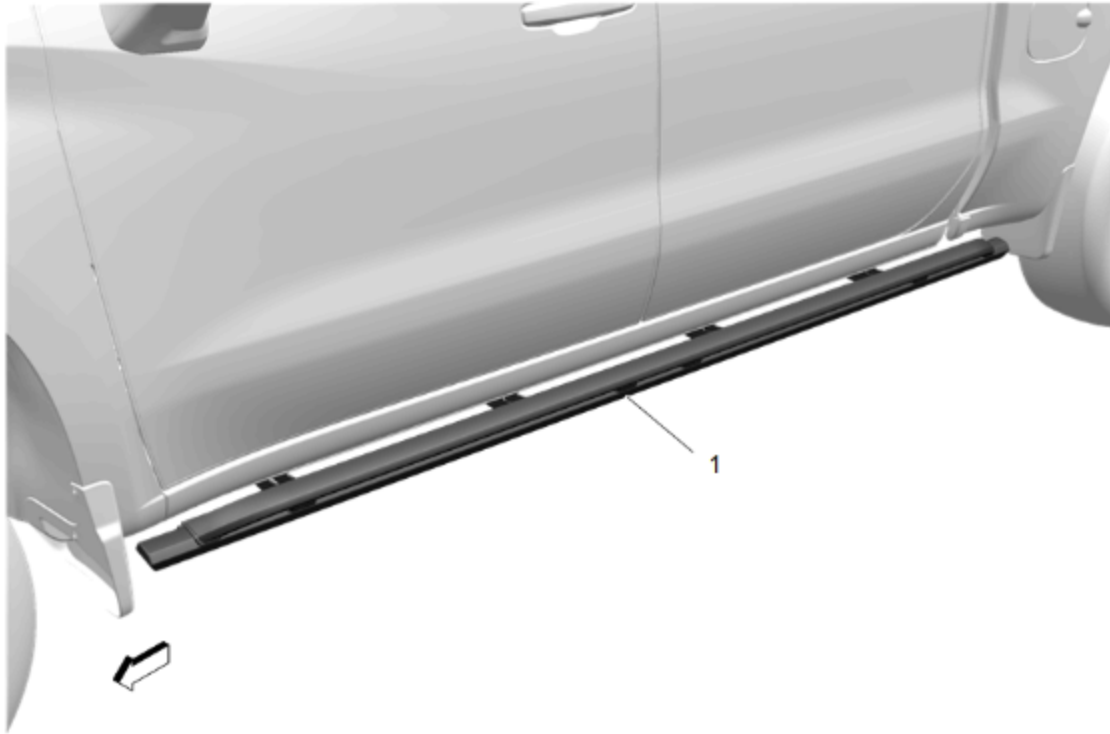
**Note:** Removable Assist Steps can only mount to the Rocker Protector (PN 85534568).

**Note:** Ensure Rocker Protector is clean from dirt and debris before installing Steps.

### **Procedure**

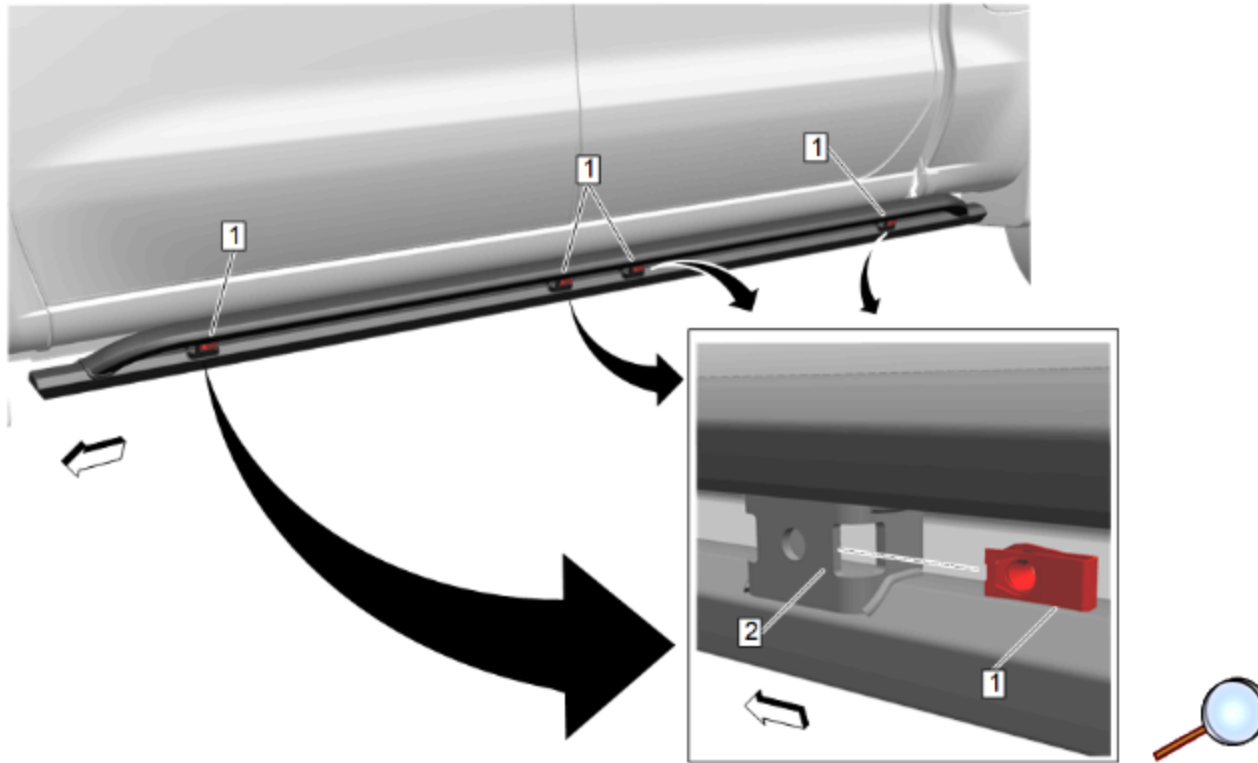
**Note:** Driver side shown below.

1. Raise and support the vehicle. Refer to [Lifting and Jacking the Vehicle](#) in Vehicle Service Manual.



© 2024 General Motors. All rights reserved.

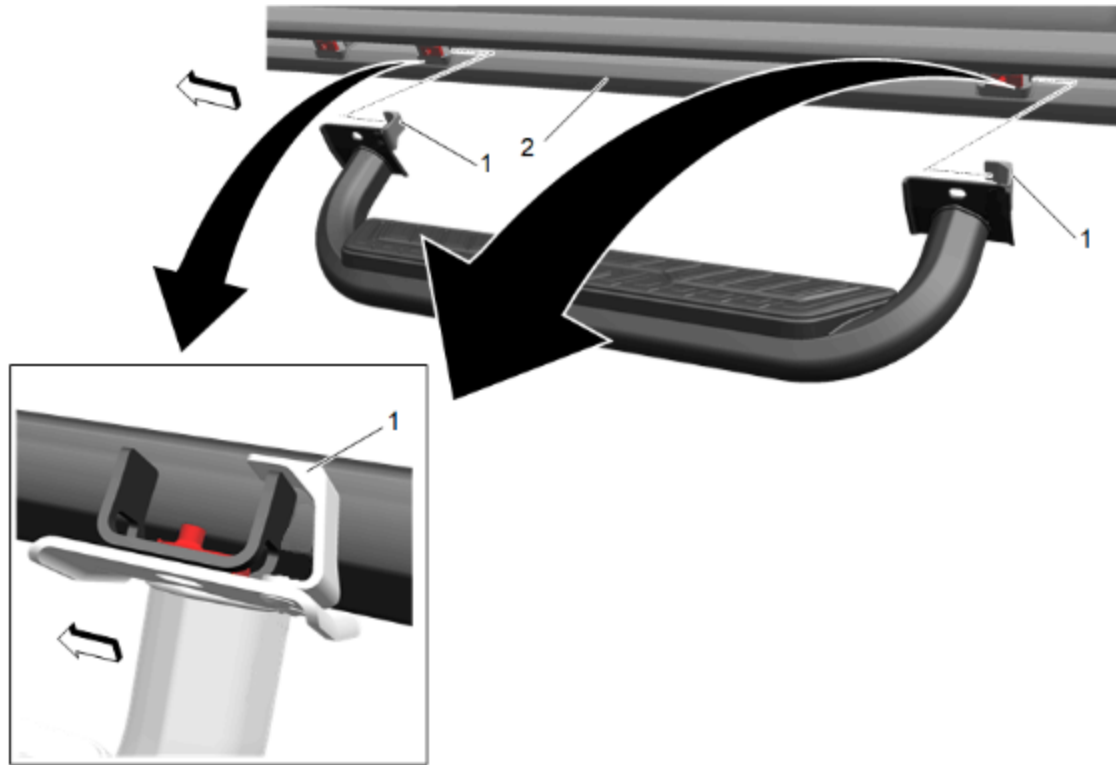
2. Ensure the Rocker Protector (1) is installed properly. Refer to (Installation Instruction Sheet 85534574).



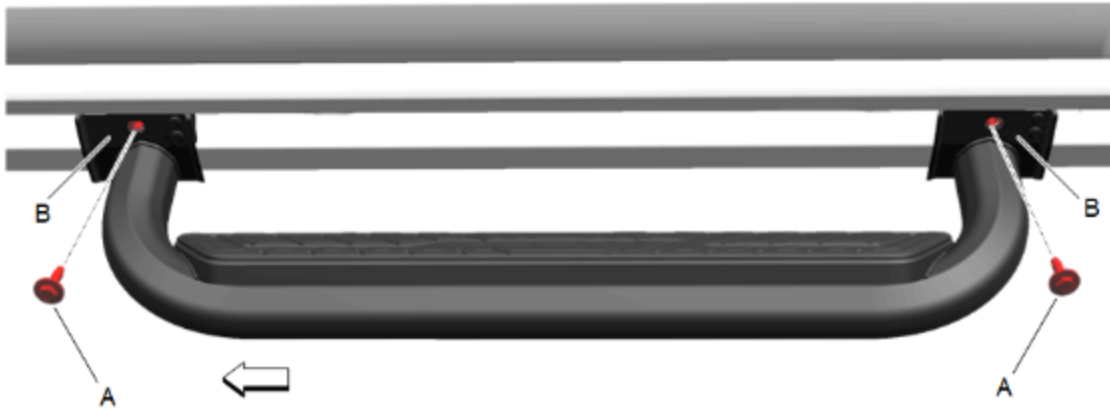
© 2024 General Motors. All rights reserved.

**Caution:** Use the correct fastener in the correct location. Replacement fasteners must be the correct part number for that application. Fasteners requiring replacement or fasteners requiring the use of thread locking compound or sealant are identified in the service procedure. Do not use paints, lubricants, or corrosion inhibitors on fasteners or fastener joint surfaces unless specified. These coatings affect fastener torque and joint clamping force and may damage the fastener. Use the correct tightening sequence and specifications when installing fasteners in order to avoid damage to parts and systems.

- Slide a J clip (1) from rear to front into each rocker protector stanchion (2) (4 per rocker Protector side). Ensure flat face of J clip points outboard.

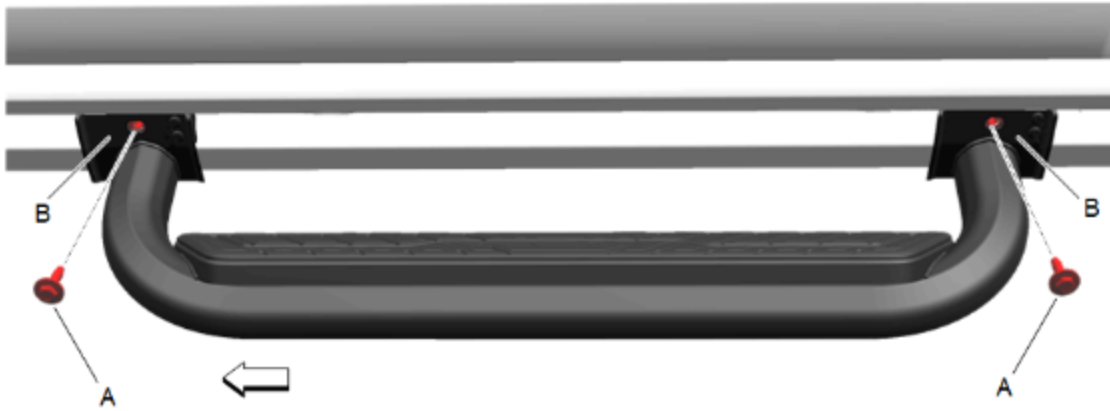


4. Using hooks as an alignment aid, slide the removable step hook features (1) between the rocker protector tubes (2) (rear to front on driver side and front to rear on passenger side) to align the slots to the J clips. Use caution to not drop steps as hooks will not fully support weight of step.



5. Loosely install the M8 bolts (A) through the removable assist step mounting plate (B) into the J clips.
6. Tighten the M8 bolts to **25 N.m (18 lb ft)**.
7. Repeat installation steps for each assist step assembly.
8. **Verify correct torque on all hardware.**
9. Lower the vehicle.

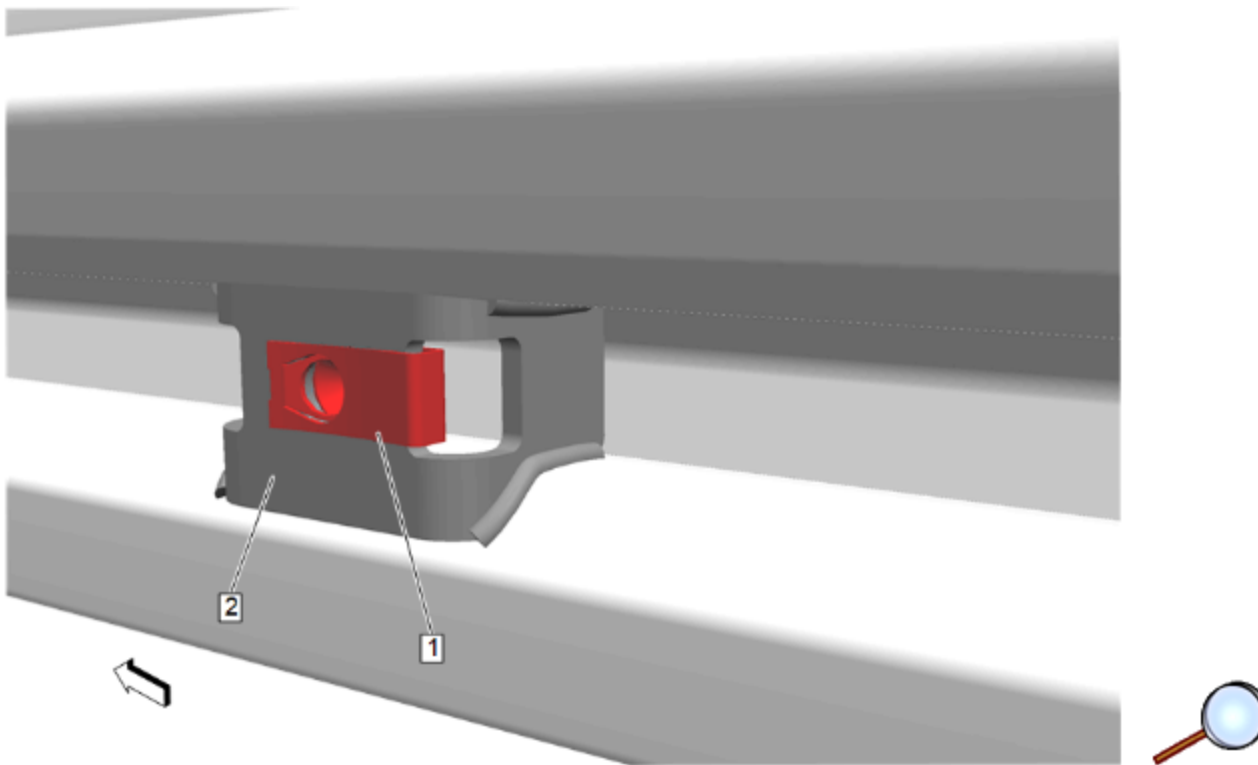
### **Assist Step Removal**



© 2024 General Motors. All rights reserved.



1. Remove the M8 bolts (A) from step assembly mounting plate (B) and remove step assembly from vehicle.



© 2024 General Motors. All rights reserved.

**Note:** Do NOT remove the J-clips (1) from the rocker protector stanchions (2). Removal of the clips can permanently damage retention of part.

2. Keep all bolts and step assemblies together until you are ready to install again.