

## Rear Mud Guard Package Installation (Instruction ID: 84944114)

### [Installation Instructions Part Number](#)

84944114

Please read instructions thoroughly before starting.

### Kit Contents

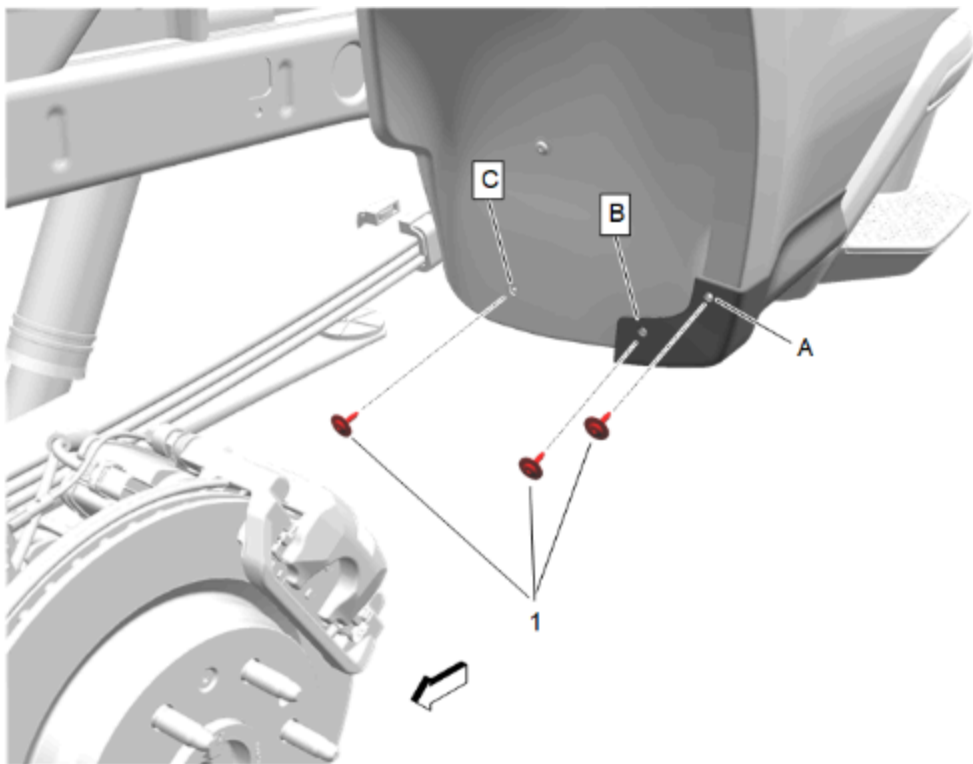
Qty	Description
1	Left Hand Splash Guard
1	Right Hand Splash Guard
8	Screw
8	Washer
2	U-nut
1	Instruction Sheet

### [Special Tools](#)

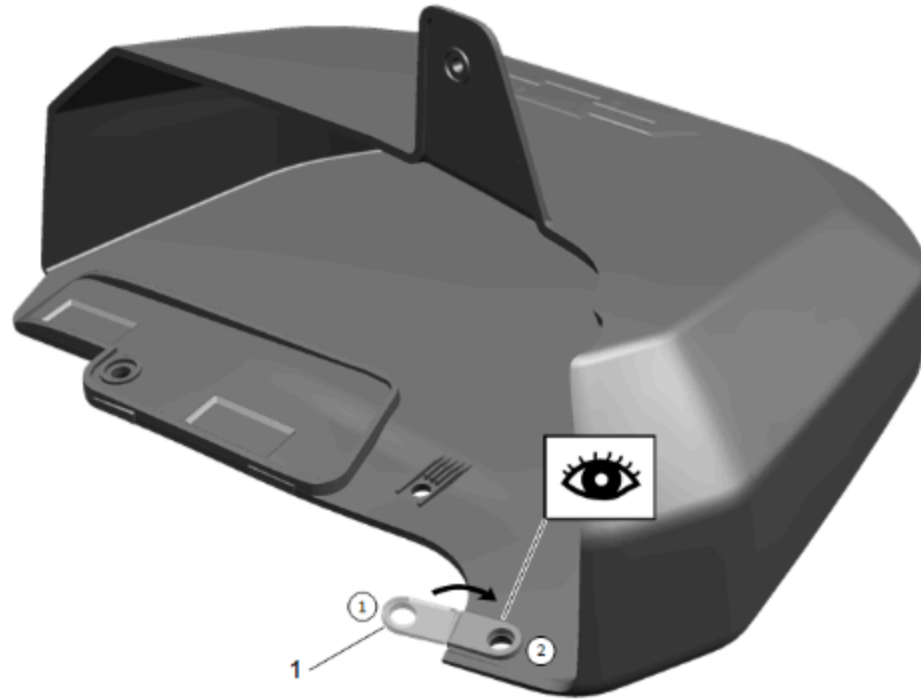
- T15 Torx Screwdriver
- 5mm (13/64") Drill Bit/Drill
- Awl
- Clean Cloth/Rag

### [Procedure](#)

1. Remove the rear wheel and tire assembly. Refer to [Tire and Wheel Removal and Installation](#) in Vehicle Service Manual.
2. Clean and degrease body panel where splash guards are to be located.

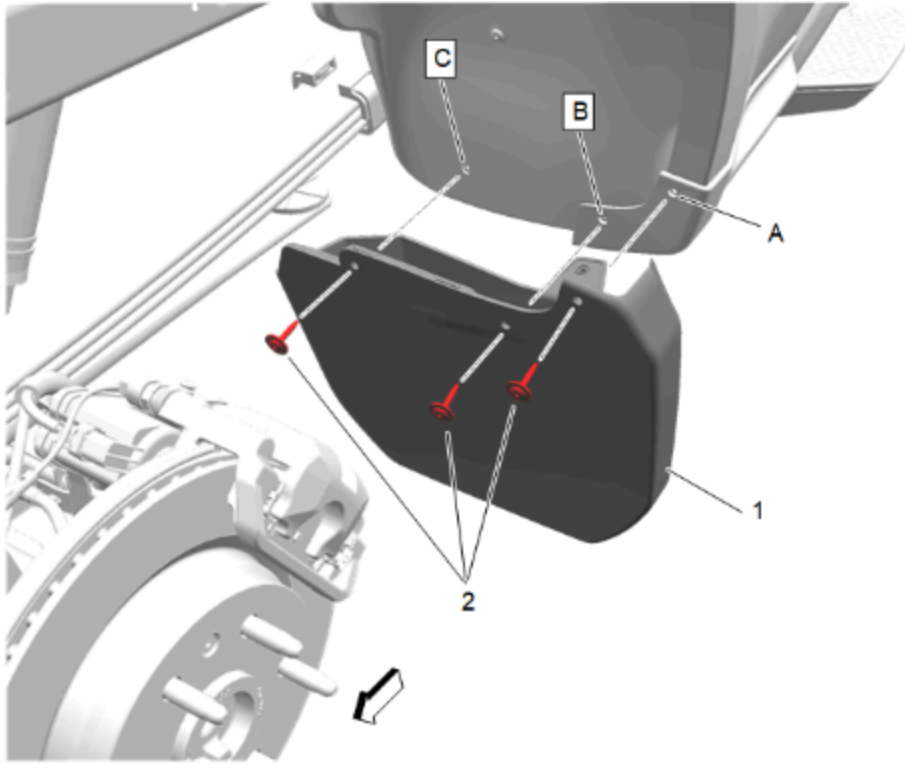


3. Remove existing screws (1) at locations **A, B and C**. Discard screws.



© 2024 General Motors. All rights reserved.

4. Fold the living hinge (1) to the closed position.

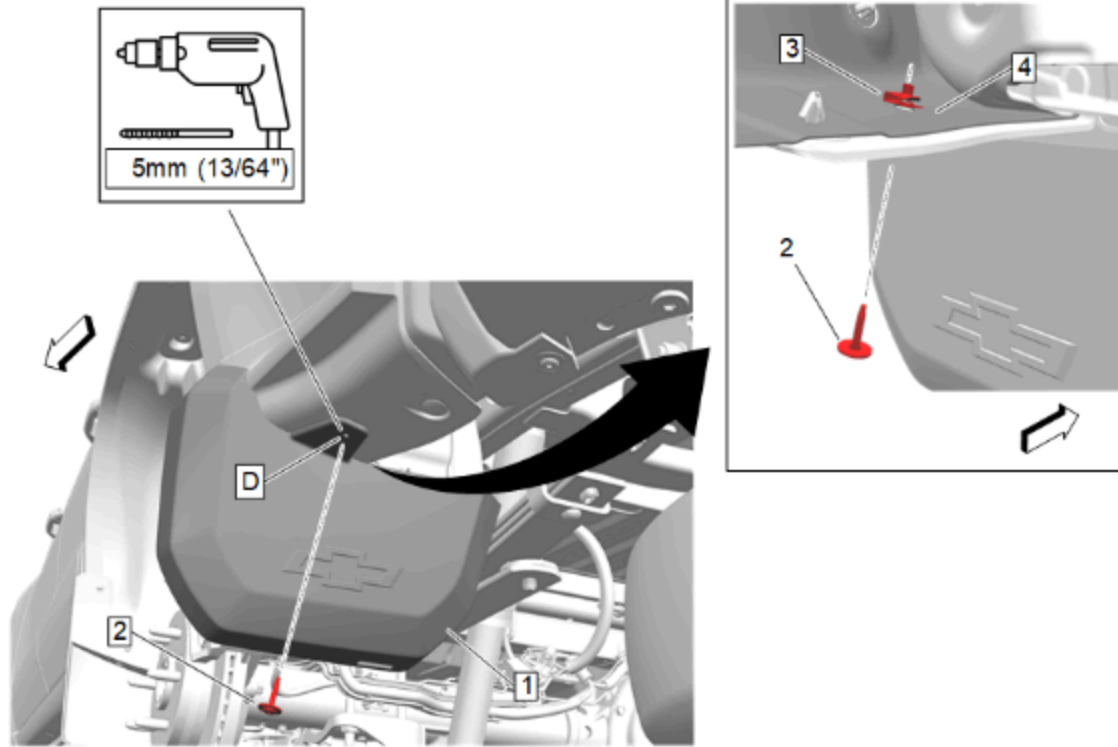


**Caution:** Use the correct fastener in the correct location. Replacement fasteners must be the correct part number for that application. Fasteners requiring replacement or fasteners requiring the use of thread locking compound or sealant are identified in the service procedure. Do not use paints, lubricants, or corrosion inhibitors on fasteners or fastener joint surfaces unless specified. These coatings affect fastener torque and joint clamping force and may damage the fastener. Use the correct tightening sequence and specifications when installing fasteners in order to avoid damage to parts and systems.

5. Place the splash guard (1) up to the vehicle and install supplied screws (2) and washers at locations **A, B and C**.

**Tighten**

Tighten screws to 3.0 N.m (2.0 lb ft)



© 2024 General Motors. All rights reserved.



**Caution:** Always check size and position of all holes before drilling. Failing to do so may cause damage to the vehicle, misalignment of components or the inability to install the accessory.

6. While holding the splash guard (1) tight to the vehicle to remove any gaps, use the hole at location **D** as a pilot, and drill a 5mm (13/64") hole through the splash guard and vehicle panel and install supplied screw (2) with washer and U-nut at this location. The U-nut (3) should be used as a nut above the sheet metal (4).

**Tighten**

Tighten screw to 3.0 N.m (2.0 lb ft)

7. Install the rear wheel and tire assembly. Refer to [Tire and Wheel Removal and Installation](#) in Vehicle Service Manual.
8. Repeat procedure for other side.
9. Guards can be cleaned with any commercially available cleaner.